

Main Index

ETD Index	Index	A01 - A02
A ETD	Profiles	
	Specification Pages.....	A03 - A08
	Technical Information.....	A09 - A13
	Scale Profile Drawings.....	A14 - A26
B ETD	Accessories	
	Photos & Drawings.....	B03 - B34
C ETD	Sections	
	Open In Door - Scale Elevations.....	C03 - C26
	Open Out Door - Scale Elevations.....	C27 - C52
D ETD	Statics	D01 - D02
E ETD	Construction Drawings - Open In	
	Corner Joint Details.....	E03 - E06
	Drainage.....	E07 - E08
	Mullion & Mid-Rail.....	E09 - E11
	Hinges.....	E12 - E13
	Lock Selection & Installation.....	E14 - E20
	ETD048 & ETD197 Preparation & End Caps.....	E21
	Letter Plate.....	E22
	Glazing Details.....	E23
	ACET149.....	E24
	Example Layout.....	E25
	PAS24:2016 Accessories & Position.....	E26 & E27

Main Index



Construction Drawings - Open Out

Corner Joint Details.....	E31 - E34
Drainage.....	E35 - E36
Mullion & Mid-Rail.....	E37 - E39
Hinges.....	E40 - E41
Lock Selection & Installation.....	E42 - E46
ETD048 & ETD197 Preparation & End Caps.....	E47
Letter Plate.....	E48
Glazing Details.....	E49
ACET149.....	E50
Example Layout.....	E51
PAS24:2016 Accessories & Position.....	E52 - E53
Fixing Strap Guide.....	E54



Sawing Tables

Open In

Single Door with Low Threshold.....	F03
Double Door with Low Threshold.....	F04
Single Door with Standard Threshold.....	F05
Double Door with Standard Threshold.....	F06

Open Out

Single Door with Low Threshold.....	F07
Double Door with Low Threshold.....	F08
Single Door with Standard Threshold.....	F09
Double Door with Standard Threshold.....	F10

Updates

DATE	PAGE	DESCRIPTION
16-02-18	A20 A21 B11, B12, B22, B23, E26 E50	ETD095 Removed. Added ETD199 Low Threshold Infill Updated accessories for PAS24:2016. Include ACET252, ACET268, ACET29 & ACET292/293.
20-06-18	F03, F04, F07, F08 B20, E21, E26, E47, E52	ETD197 cut length corrected. Added ACET284 End Cap kit for PAS24:2016.

Specification

GENERAL DESCRIPTION

Alitherm Plus is a thermally broken residential door system suitable for both replacement doors in existing buildings and for installation into new buildings.

The system incorporates internally beaded sashes which are hung on either face fitted adjustable flag hinges or adjustable butt hinges which fit into the channels of the sash & outer frame. Sashes are locked by a multi-point lock which engages into a one piece keep for single doors or individual keeps for double doors, and operated by lever/lever handles.

The locks & face fitted hinges have been successfully tested to PAS24:2016.

PROFILE SPECIFICATION

The window frame are constructed of aluminium alloy extrusion to BS EN 755-9 and BS EN 12020, extruded from 6063 T6 alloy. The internal and external extrusions are separated with a polyamide thermal break.

The external aluminium alloy extrusion is pre-treated and finished either:-

- a) Anodised to BS 3987: 1987, grade AA25 to a natural self colour.
- b) Polyester powder organic coating to BS 6496. Dual colour is available.

Specification

GENERAL MANUFACTURING

Outer and vent frames are made by cutting the frame profiles with accurate 45° mitred ends using Tungsten Carbide Tipped Saw Blades, operating at approximately 3000 rpm.

The corner joints can be made using mechanically fixed corner cleats by punching the corners using the relevant punch tooling shown in section E of this manual.

The ends of transoms and mullions are profiled to fit the frame and fixed using self-tapping screws with a small joint sealant.

On polyester powder coated finishes, great care should be taken to avoid getting gap sealer on visible surfaces and should be removed as soon as possible with a clean cloth.

Care should be exercised when using products not supplied by Smart Systems Ltd as no responsibility can be accepted.

DESIGN LIMITATIONS & PERFORMANCE CHARACTERISTICS

	Width (mm) minimum	Width (mm) maximum	Height (mm) - minimum	Height (mm) - maximum	Weight (kg) - maximum	Air Permeability	Watertightness	Resistance to Wind	Exposure Category*
Single Leaf Open in & out low threshold	500	1000	1885	2500	100	4	3A	A3	1200
Single Leaf Open in & out standard threshold	500	1000	1885	2500	100	4	9A	AE2400	2000+
Double Leaf Open in & out low threshold	500	1000	1885	2500	100	4	3A	A3	1200
Double Leaf Open out standard threshold	500	1000	1885	2500	100	4	8A	A3	1200
Double Leaf Open in standard threshold	500	1000	1885	2500	100	4	7A	A3	1200

* As given in Table 1 of BS 6375-1:2009

Profiles

Outer Frame: ETD012/015/017/196
Leaf: ETD024N/025N
Midrail: ETD030/033
Mullion: ETD034
Frame Filler: PCX17
Leaf Filler: PCX15

Hardware

Locking: ACET292/3, Shootbolt kit ACDV742/737/738,
 Secondary door lock set ACET285
Hinges: ACET250
Handle: ACET480
Cylinder: ACCY3045S1 or ACCY4530S1

For advise on door sizes outside of the recommended design limitations, please contact the Technical Department at Smart Systems Ltd Tel: 01934 876100

Specification

DOOR DRAINAGE

As with all dry glazed systems, it is recommended that the door system is adequately drained and ventilated. Refer to drainage details in manual, if in doubt ask The Technical Department.

In order to get maximum performance and weather resistance it is recommended that drips are used over all open out sashes.

OUTER FRAME MANUFACTURING INFORMATION

The outer frame members are cut with 45° mitred ends to the overall size required, measured to the longest point of the metal.

Prior to corner assembly the centre line position of any transoms or mullions should be marked on the outer frame members. Where the transom/mullion runs right through, it should be marked out on both jambs or head and cill members in pairs to ensure accurate alignment of the sections.

Using the marked centre line, drill the transom/mullion fixing holes using a 5mm dia. drill bit.

Corners are formed by coating the cut faces to be joined with a suitable small gap sealer. Into the mitred corner insert the cleat glue and the required corner cleats and, where required, the aluminium corner chevrons. The two mitred ends are then brought together and crimped. The small gap sealer ensures a permanent joint and guards against the ingress of moisture and joint movement. After crimping the corner joint, special care should be taken to ensure any excess sealer is removed from painted surfaces.

Transoms or mullions are cut with square ends to the sizes calculated on the cutting formula sheets. The ends are then profiled to allow them to fit into the outer frame. Special tooling is available on request to profile the end of transom/mullion.

Prior to fixing of transoms and mullions smear the cut ends with a suitable small gap sealer. After fixing, special care should be taken to ensure any excess is cleared from painted surfaces.

Specification

SASHES

Corners are formed by coating the cut faces to be joined with a suitable gap sealer. In the mitred corner insert the cleat glue and the required corner cleats and chevrons. The mitred ends are then brought together and mechanically joined. The small gap sealer ensures a permanent joint and guards against the ingress of moisture and joint movement. Care should be taken to ensure any excess sealer is removed from the surfaces.

The cutting sizes produce vent frames which overlap the outer frame by 6mm.

When fixing, the friction stays into both the outer and vent frame, care should be taken to ensure that holes are located on 'V' grooves in the aluminium extrusions.

The below is a summary of the sliding door testing under Kitemark Licence Number: KM530838. The full details may be downloaded from www.smartsystems.co.uk

Alitherm Plus Weather Performance (BS6375-1)

See Design Limitations & Design Characteristics table on Page A05

Alitherm Plus Operational Performance (BS6375-2:2009)

Alitherm Plus has passed the operational & strength requirements of of BS6375-2

Alitherm Plus Security (PAS24:2016)

Alitherm Plus has been successfully tested to PAS24:2016

Alitherm Plus U Values

Please refer to the Smart Systems' Document L White Paper or contact the Technical Department.

Specification

GLAZING

All beads are cut to suit the glazing aperture on the fully assembled door for glazing either at factory or on site as required.

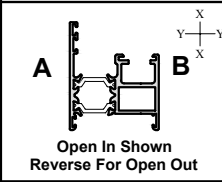
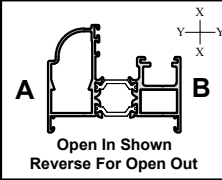
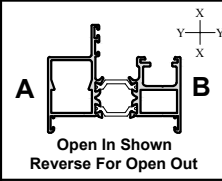
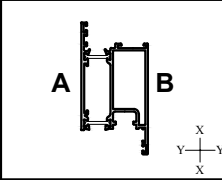
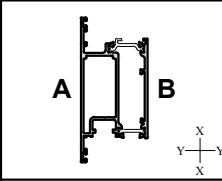
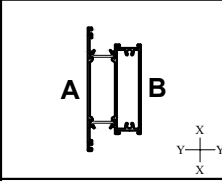
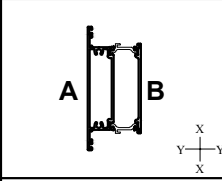
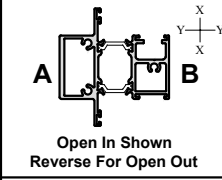
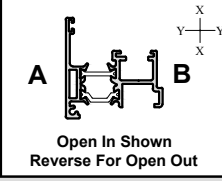
BEAD GLAZING TO OUTER FRAME

Glazing beads are fitted to openings by cutting the horizontal beads square to head and cill of each vent and fixed light area. Beads are guided over the deep channel by ACET153 packers. Vertical beads are cut at 45° or 90° both ends. Insert bottom beads and two setting blocks to ensure glass will be centralized in vertical dimension of opening (glazing blocks must be full width of cavity to fully support glass or sealed unit), then insert top bead followed by side beads. Finish glazing by insertion of internal gaskets all round.

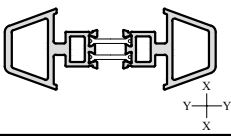
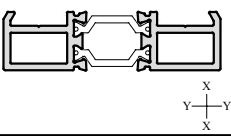
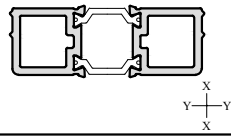
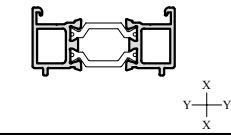
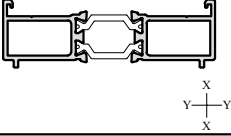
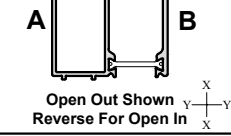
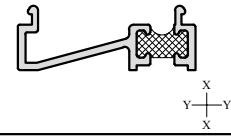
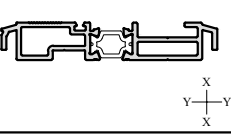
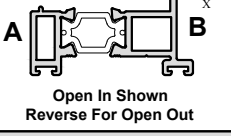
BEAD GLAZING TO SASH

Glazing beads are fitted to openings by cutting the horizontal beads square to head and cill of each vent and fixed light area. Vertical beads are cut square at both ends. Ensure the double glazed unit is properly toe & heeled, and Insert bottom bead, then insert top bead followed by side beads. Finish glazing by insertion of internal gaskets all round.

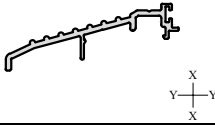
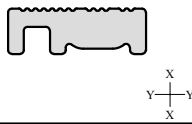
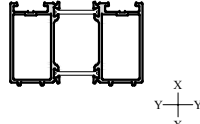
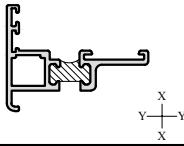
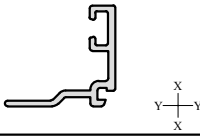
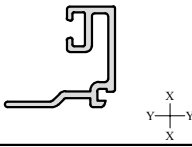
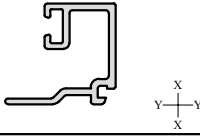
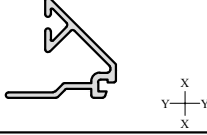
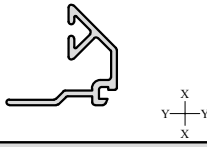
PROFILES : TECHNICAL INFORMATION

Number	Picture	Page	Perim. mm	Mec. mm	lx(cm4) wx(cm3)	ly(cm4) wy(cm3)	Length	Pack pr.	MF	SA	KL	HP	M	
ETD012	 Open In Shown Reverse For Open Out	A14	389	108	12.5 ----- 5.0	6.8 ----- 2.9	6.5	1	✓	✓	✓	✓	✓	
ETD015	 Open In Shown Reverse For Open Out	A14	428	130	29.4 ----- 8.3	10.6 ----- 4.3	6.5	1	✓	✓	✓	✓	✓	
ETD017	 Open In Shown Reverse For Open Out	A14	434	130	28.6 ----- 8.0	8.7 ----- 3.6	6.5	1	✓	✓	✓	✓	✓	
ETD024N	 Open In Shown Reverse For Open Out	A15	505	165	21.6 ----- 9.2	56.2 ----- 12.3	6.5	1	✓	✓	✓	✓	✓	
ETD025N	 Open In Shown Reverse For Open Out	A15	520	204	21.0 ----- 8.1	43.4 ----- 8.5	6.5	1	✓	✓	✓	✓	✓	
ETD030	 Open In Shown Reverse For Open Out	A16	418	203	21.6 ----- 8.7	57.3 ----- 10.5	6.5	1	✓	✓	✓	✓	✓	
ETD033	 Open In Shown Reverse For Open Out	A16	418	203	21.5 ----- 8.1	56.2 ----- 10.3	6.5	1	✓	✓	✓	✓	✓	
ETD034	 Open In Shown Reverse For Open Out	A17	474	172	36.8 ----- 9.9	18.1 ----- 4.9	6.5	1	✓	✓	✓	✓	✓	
ETD048	 Open In Shown Reverse For Open Out	A17	388	105	11.8 ----- 3.9	5.1 ----- 2.4	6.5	1	✓	✓	✓	✓	✓	
									A = Outside B = Inside		MF = Mill Finish SA = Silver Anodised KL = Basic Colour HP = Special Colour M = Dual Colour			

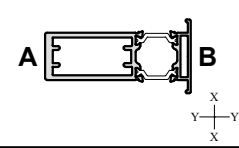
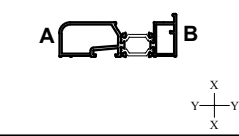
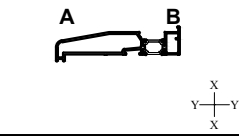
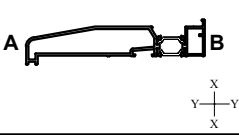
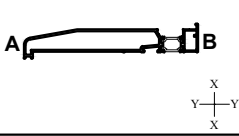
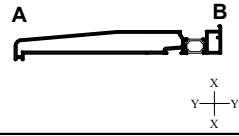
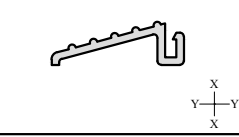
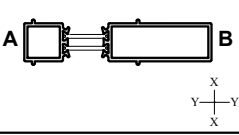
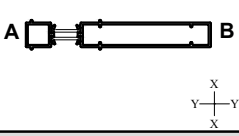
PROFILES : TECHNICAL INFORMATION

Number	Picture	Page	Perim. mm	Mec. mm	lx(cm4) wx(cm3)	ly(cm4) wy(cm3)	Length	Pack pr.	MF	SA	KL	HP	M	
ETD051		A18	335	140	65.3 ----- 14	5.7 ----- 3.2	6.5	1	✓	✓	✓	✓	✓	
ETD052		A18	303	-	13.88 ----- 4.42	0.90 ----- 1.17	6.5	1	✓					
ETD053		A18	175	-	19.4 ----- 6.0	2.7 ----- 2.3	6.5	1	✓					
ETD056		A20	205	41	6.31 ----- 2.69	0.82 ----- 0.77	6.5	1	✓	✓	✓	✓	✓	
ETD057		A20	251	41	16.30 ----- 4.66	1.12 ----- 1.55	6.5	1	✓	✓	✓	✓	✓	
ETD058	 Open Out Shown Reverse For Open In	A22	294	85	9.92 ----- 4.22	7.25 ----- 3.4	6.5	1	✓	✓	✓	✓	✓	
ETD092		A20	172	25	0.35 ----- 0.33	7.25 ----- 2.13	6.5	1	✓	✓	✓	✓		
ETD196		A21	302	122	28.40 ----- 6.51	0.92 ----- 1.28	6.5	1		✓				
ETD197	 Open In Shown Reverse For Open Out	A21	185	21	4.16 ----- 1.86	0.61 ----- 0.66	6.5	1	✓	✓	✓	✓	✓	
									A = Outside B = Inside		MF = Mill Finish SA = Silver Anodised KL = Basic Colour HP = Special Colour M = Dual Colour			

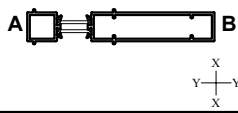
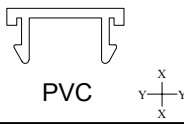
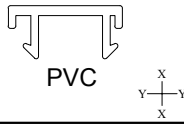
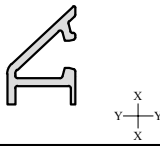
PROFILES : TECHNICAL INFORMATION

Number	Picture	Page	Perim. mm	Mec. mm	lx(cm4) wx(cm3)	ly(cm4) wy(cm3)	Length	Pack pr.	MF	SA	KL	HP	M
ETD198		A21	213	78	0.61 ----- 0.42	7.52 ----- 2.41	6.5	1		✓			
ETD199		A21	59	21	- ----- -	- ----- -	3	1	✓	✓	✓	✓	
DV515		A22	356	85	27.16 ----- 7.76	14.38 ----- 6.75	6.5	1	✓	✓	✓	✓	✓
ETC046		A15	237	44	4.31 ----- 1.39	1.15 ----- 0.74	6.5	1	✓	✓	✓	✓	
ETC160		A23	95	23	- ----- -	- ----- -	6.5	1	✓	✓	✓	✓	
ETC161		A23	115	27	- ----- -	- ----- -	6.5	1	✓	✓	✓	✓	
ETC162		A23	123	31	- ----- -	- ----- -	6.5	1	✓	✓	✓	✓	
ETC163		A23	106	26	- ----- -	- ----- -	6.5	1	✓	✓	✓	✓	
ETC164		A23	103	25	- ----- -	- ----- -	6.5	1	✓	✓	✓	✓	
									A = Outside B = Inside	MF = Mill Finish SA = Silver Anodised KL = Basic Colour HP = Special Colour M = Dual Colour			

PROFILES : TECHNICAL INFORMATION

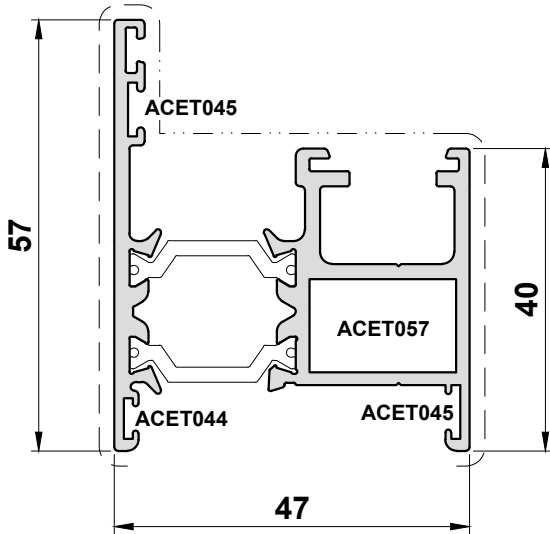
Number	Picture	Page	Perim. mm	Mec. mm	Ix(cm4) wx(cm3)	Iy(cm4) wy(cm3)	Length	Pack pr.	MF	SA	KL	HP	M	
ETC357		A18	297	138	41.5 ----- 9.86	5.2 ----- 2.67	6.5	1	✓	✓	✓	✓	✓	
ETC451		A24	304	109	32.44 ----- 7.29	3.46 ----- 2.79	6.5	1	✓	✓	✓	✓	✓	
ETC452		A24	414	197	122.46 ----- 18.03	6.01 ----- 3.34	6.5	1	✓	✓	✓	✓	✓	
ETC457		A24	444	212	163.27 ----- 21.60	6.79 ----- 3.73	6.5	1	✓	✓	✓	✓	✓	
ETC458		A25	524	252	313.62 ----- 32.63	8.87 ----- 4.79	6.5	1	✓	✓	✓	✓	✓	
ETC479		A25	594	287	501.64 ----- 44.04	9.72 ----- 5.34	6.5	1	✓	✓	✓	✓	✓	
EUD03		A23	113	39	- ----- -	- ----- -	4	1	✓	✓				
FT054		A19	281	96	43.3 ----- 8.58	2.65 ----- 2.2	6.5	1	✓	✓	✓	✓	✓	
FT155		A19	384	218	135.1 ----- 17.7	4.16 ----- 3.46	6.5	1	✓	✓	✓	✓	✓	
									A = Outside B = Inside		MF = Mill Finish SA = Silver Anodised KL = Basic Colour HP = Special Colour M = Dual Colour			

PROFILES : TECHNICAL INFORMATION

Number	Picture	Page	Perim. mm	Mec. mm	lx(cm4) wx(cm3)	ly(cm4) wy(cm3)	Length	Pack pr.	MF	SA	KL	HP	M	
FT156		A19	344	178	91.3 — 13.85	3.59 — 2.99	6.5	1	✓	✓	✓	✓	✓	
PCX15		A22	-	-	- ----- -	- ----- -	4	1	✓					
PCX17		A22	-	-	- ----- -	- ----- -	5	1	✓					
VL72		A22	101	54	- ----- -	- ----- -	6.5	5	✓	✓	✓	✓		
									A = Outside B = Inside		MF = Mill Finish SA = Silver Anodised KL = Basic Colour HP = Special Colour M = Dual Colour			

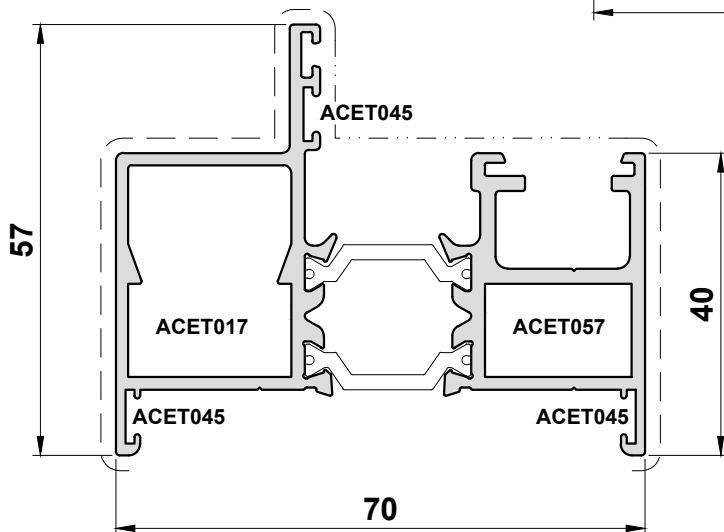
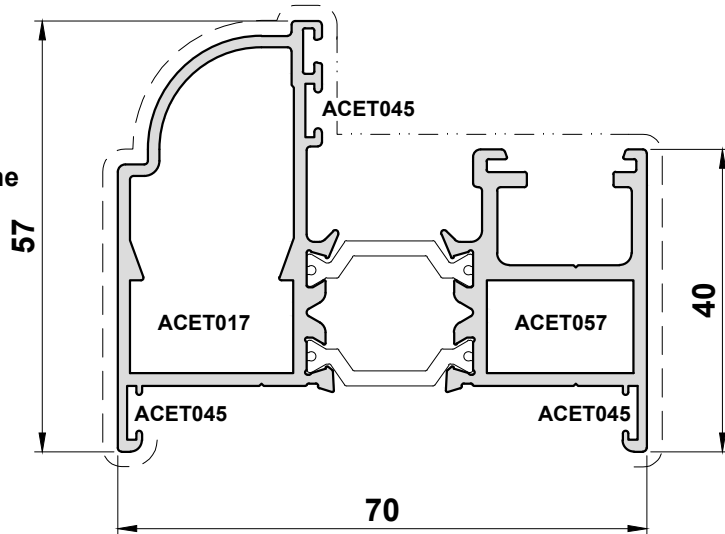
Primary Visible Side

Secondary Visible Side



ETD012
47mm Outerframe

ETD015
70mm Ovolo Outerframe



ETD017
70mm Square Outerframe

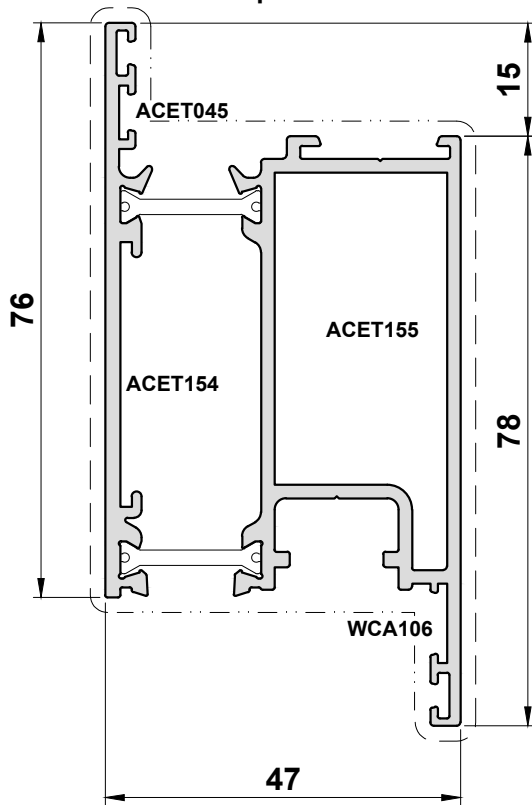
Scale 1:1

Primary Visible Side

Secondary Visible Side

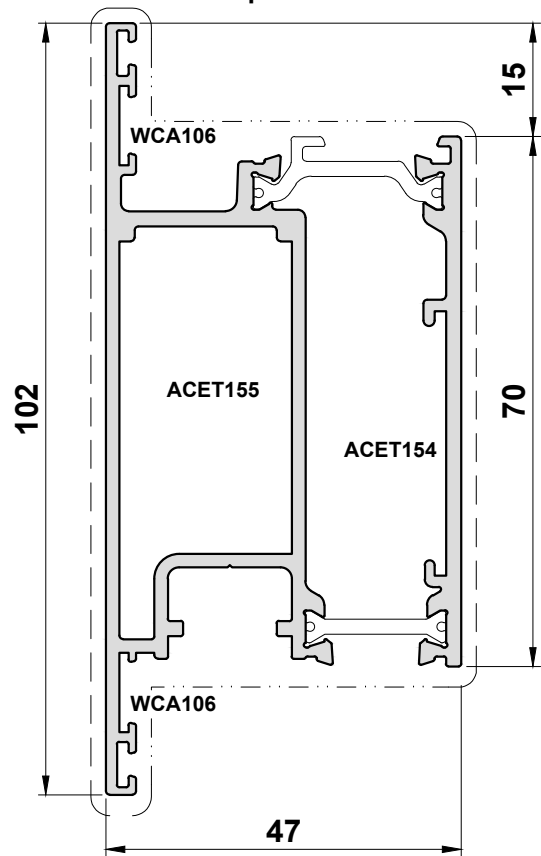
ETD024N

Open In Sash



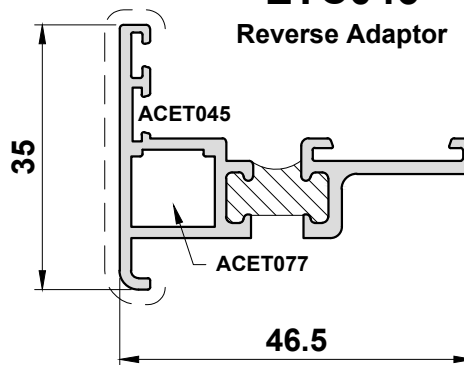
ETD025N

Open Out Sash



ETC046

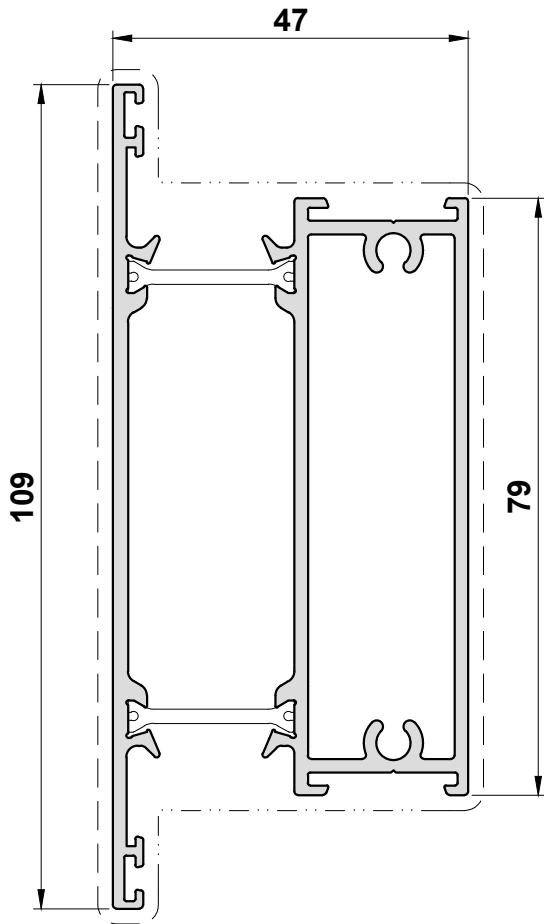
Reverse Adaptor



Scale 1:1

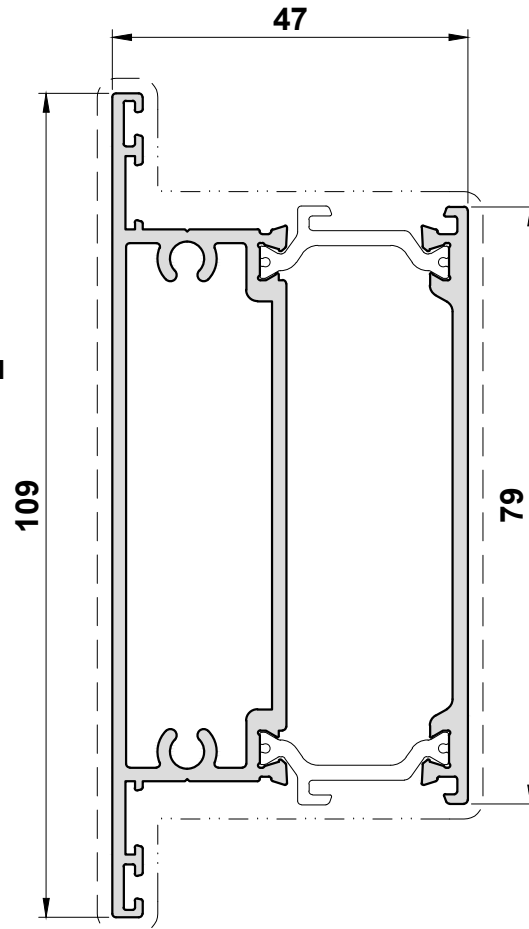
Primary Visible Side

Secondary Visible Side



ETD030
Open In Mid Rail

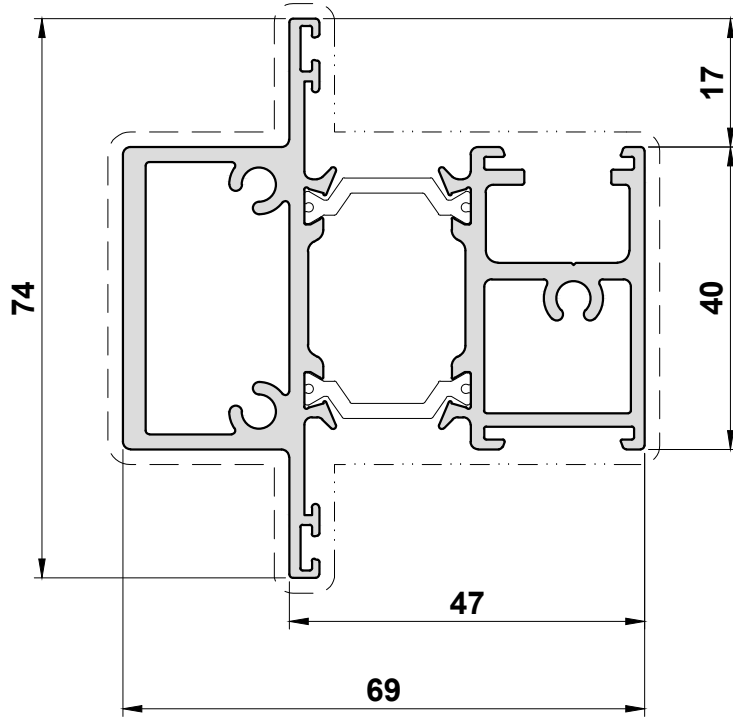
ETD033
Open Out Mid Rail



Scale 1:1

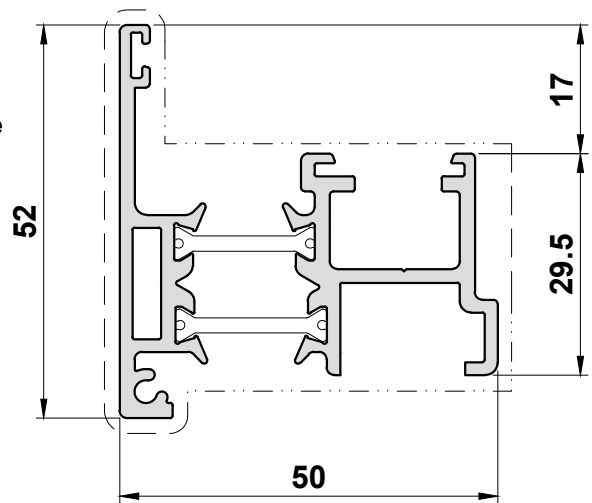
Primary Visible Side

Secondary Visible Side



ETD034
Integral Transom/Mullion

ETD048
Meeting Stile Rebate



Scale 1:1

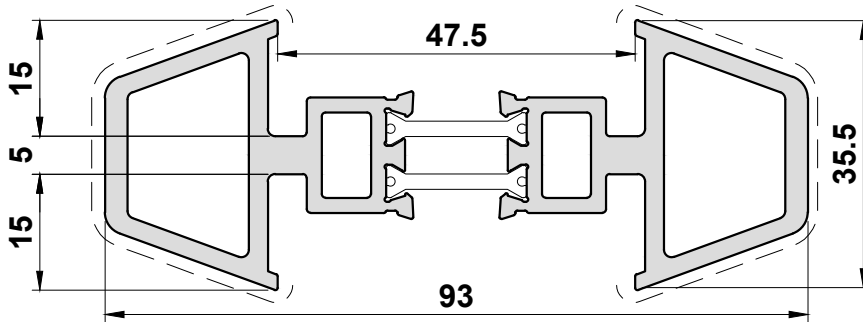
Primary Visible Side

Secondary Visible Side

ETD051

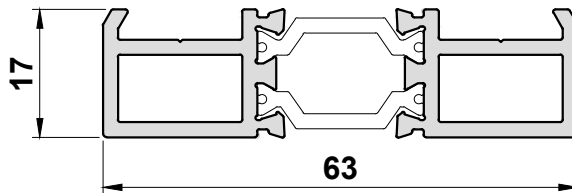
47mm Coupler

Note: ETD051 must be used with ETD056 where ACET250 hinges are selected



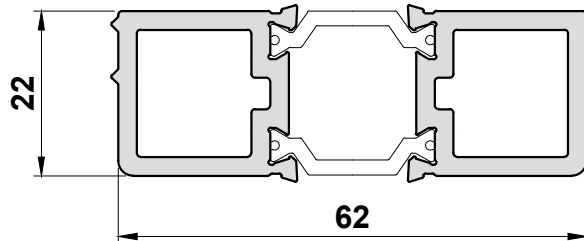
ETD052

Concealed Coupler



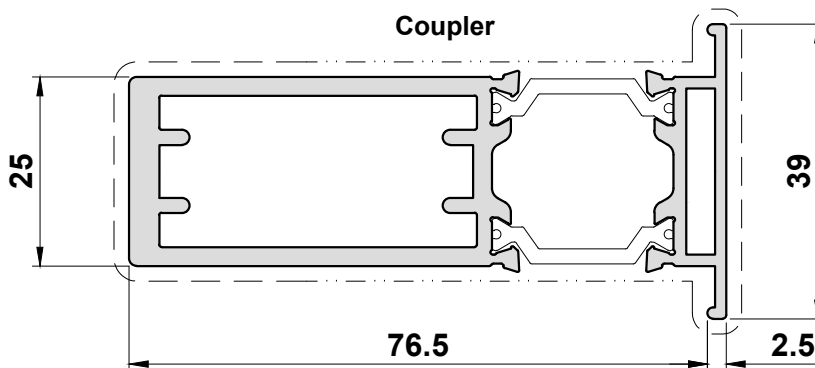
ETD053

70mm Concealed Coupler



ETC357

Coupler

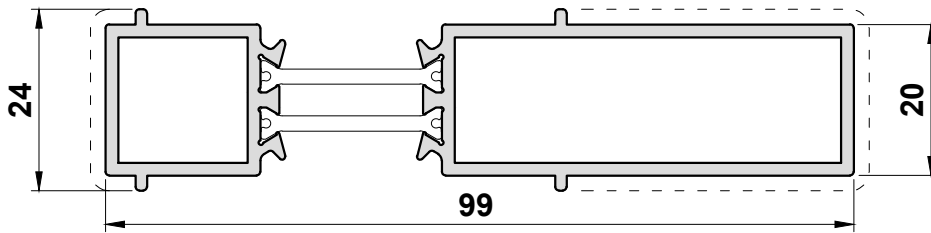


Scale 1:1

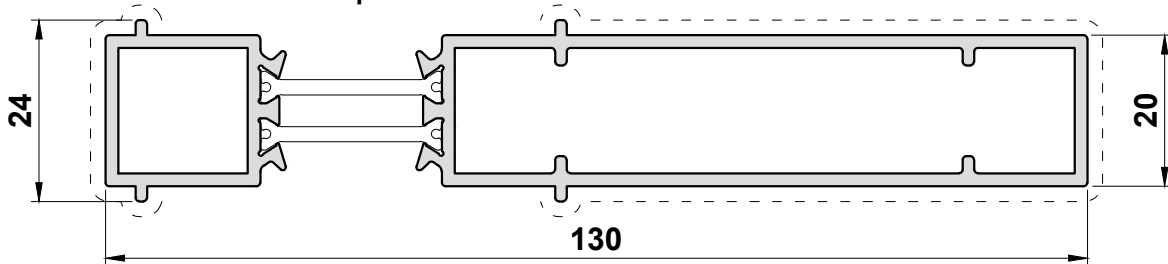
Primary Visible Side

Secondary Visible Side

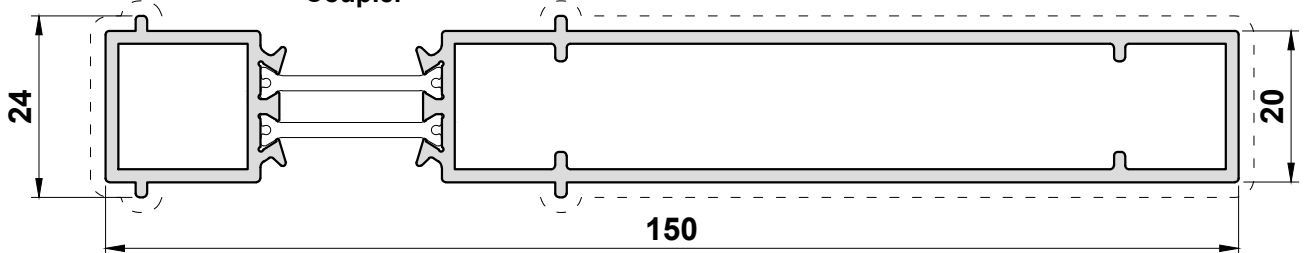
FT054
Coupler



FT156
Coupler



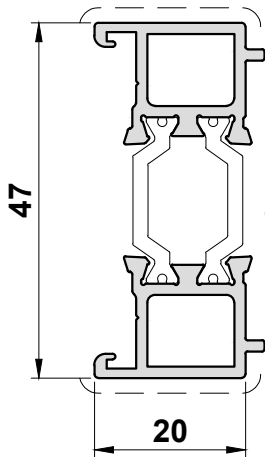
FT155
Coupler



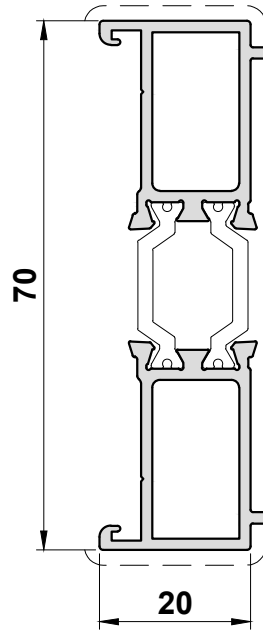
Scale 1:1

Primary Visible Side

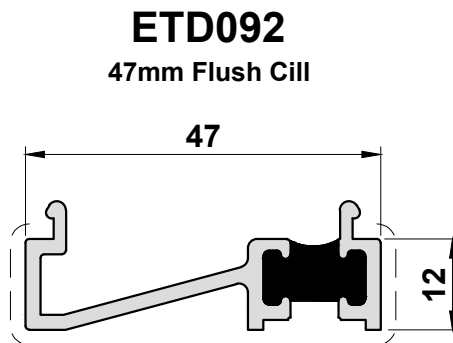
Secondary Visible Side



ETD056
47mm Frame Extension



ETD057
70mm Frame Extension



ETD092
47mm Flush Cill

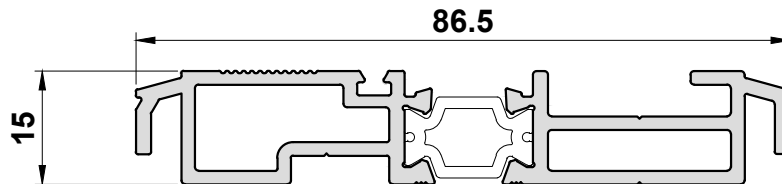
Scale 1:1

Primary Visible Side

Secondary Visible Side

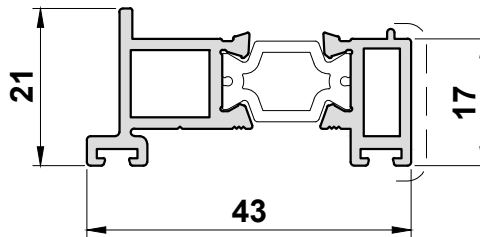
ETD196

Low Threshold



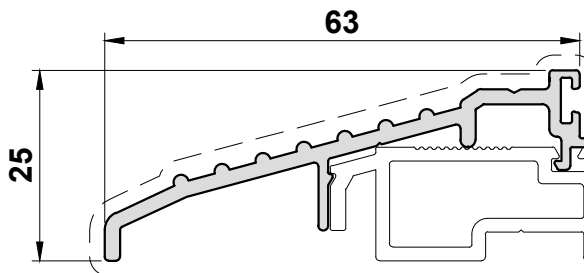
ETD197

Low Threshold Seal Carrier



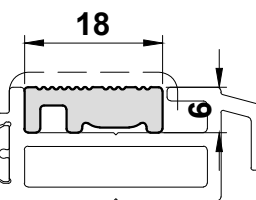
ETD198

Low Threshold Rebate



ETD199

Low Threshold Infill



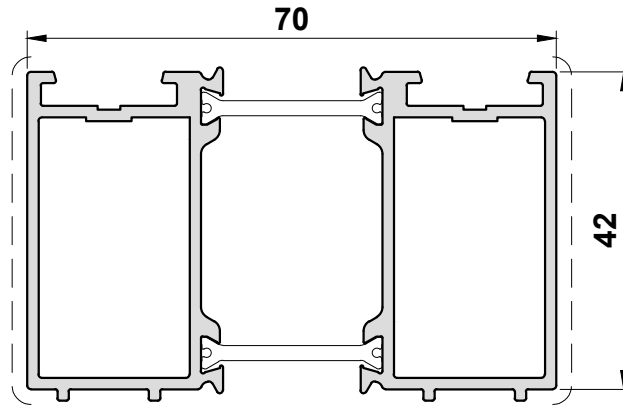
Scale 1:1

Primary Visible Side

Secondary Visible Side

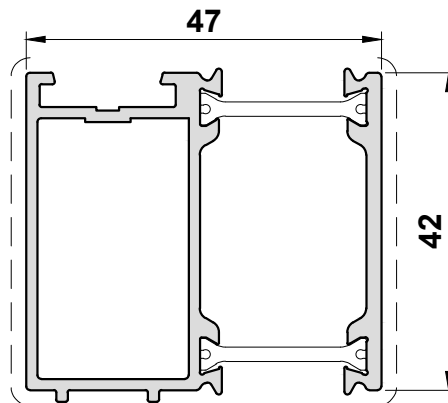
DV515

70mm Outerframe
Extension



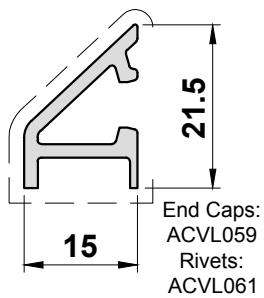
ETD058

47mm Outerframe
Extension



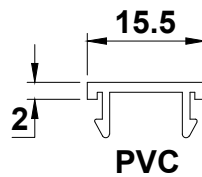
VL72

Weather Drip



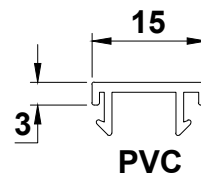
PCX15

Sash Infill Strip



PCX17

Outerframe Infill Strip



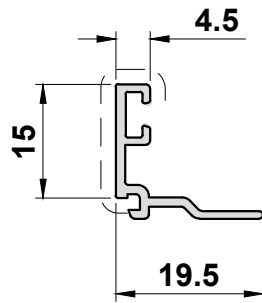
Scale 1:1

Primary Visible Side

Secondary Visible Side

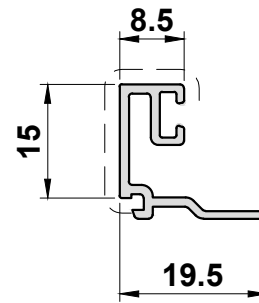
ETC160

32mm Glazing Bead



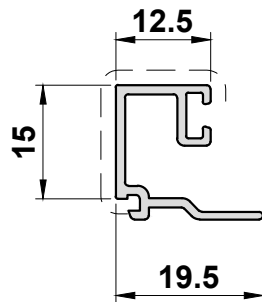
ETC161

28mm Glazing Bead



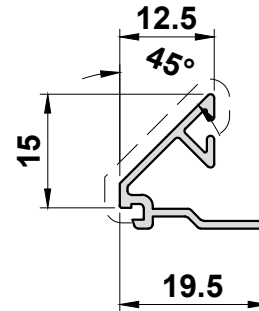
ETC162

24mm Glazing Bead



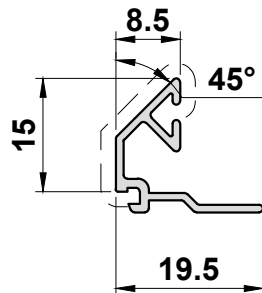
ETC163

24mm Glazing Bead



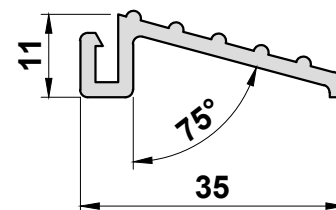
ETC164

28mm Glazing Bead



EUD03

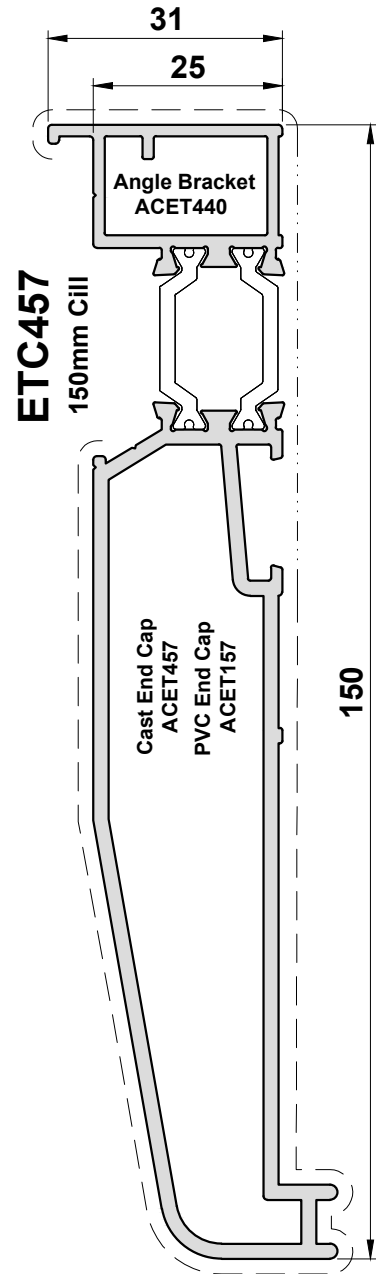
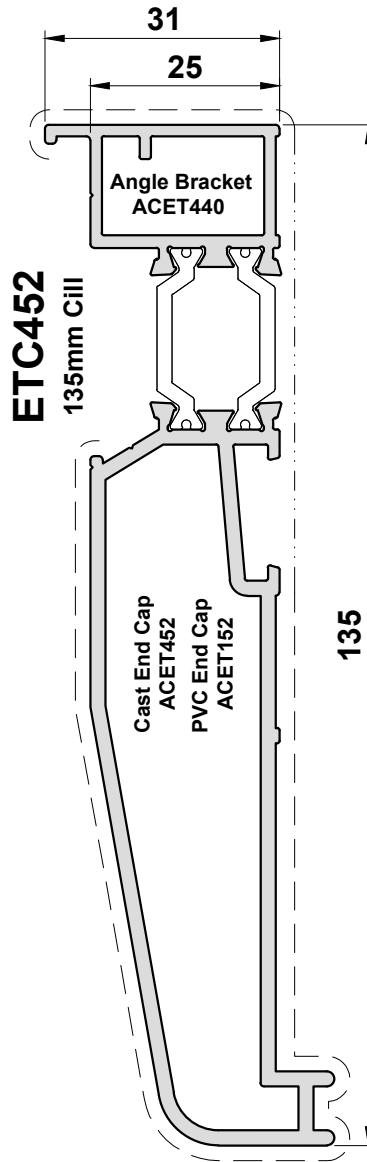
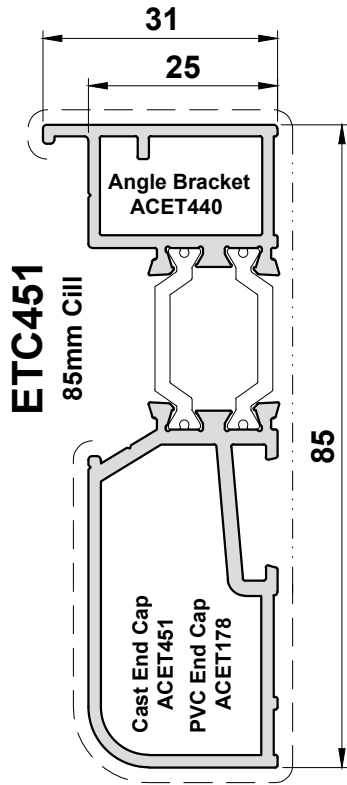
Door Threshold Ramp



Scale 1:1

Primary Visible Side

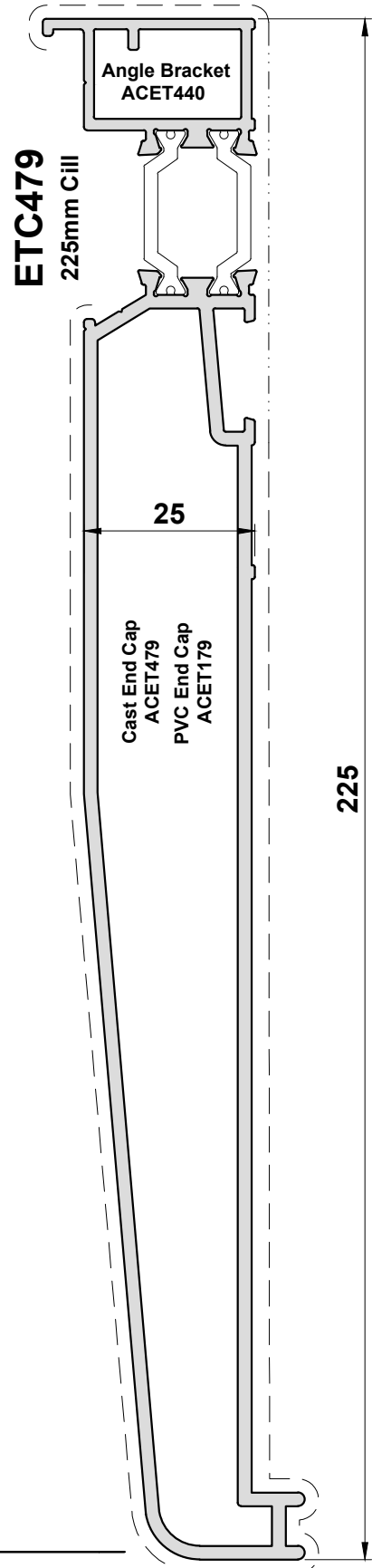
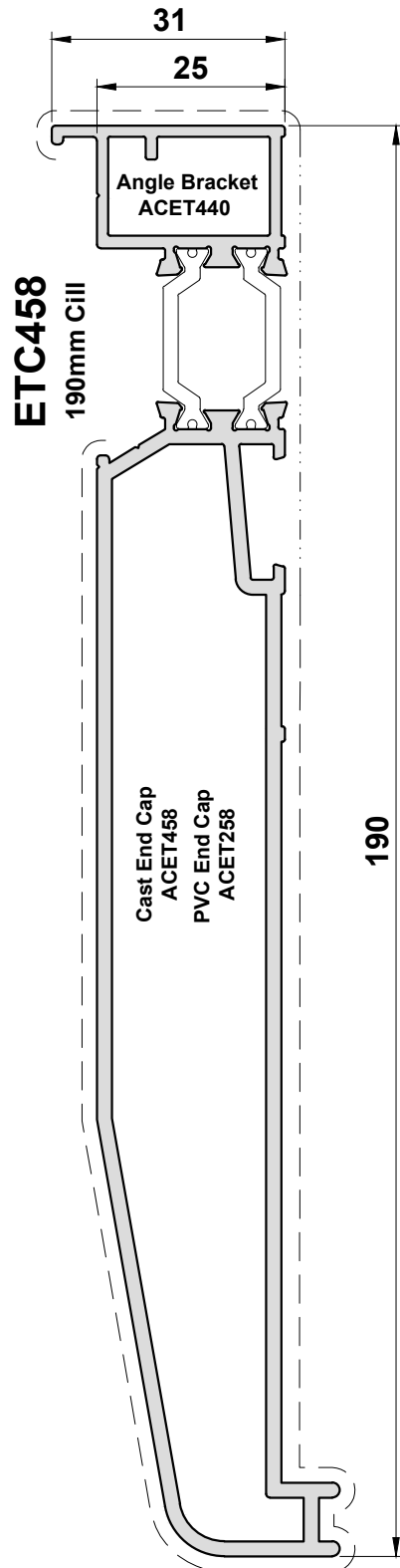
Secondary Visible Side



Scale 1:1

Primary Visible Side

Secondary Visible Side



Scale 1:1

Primary Visible Side

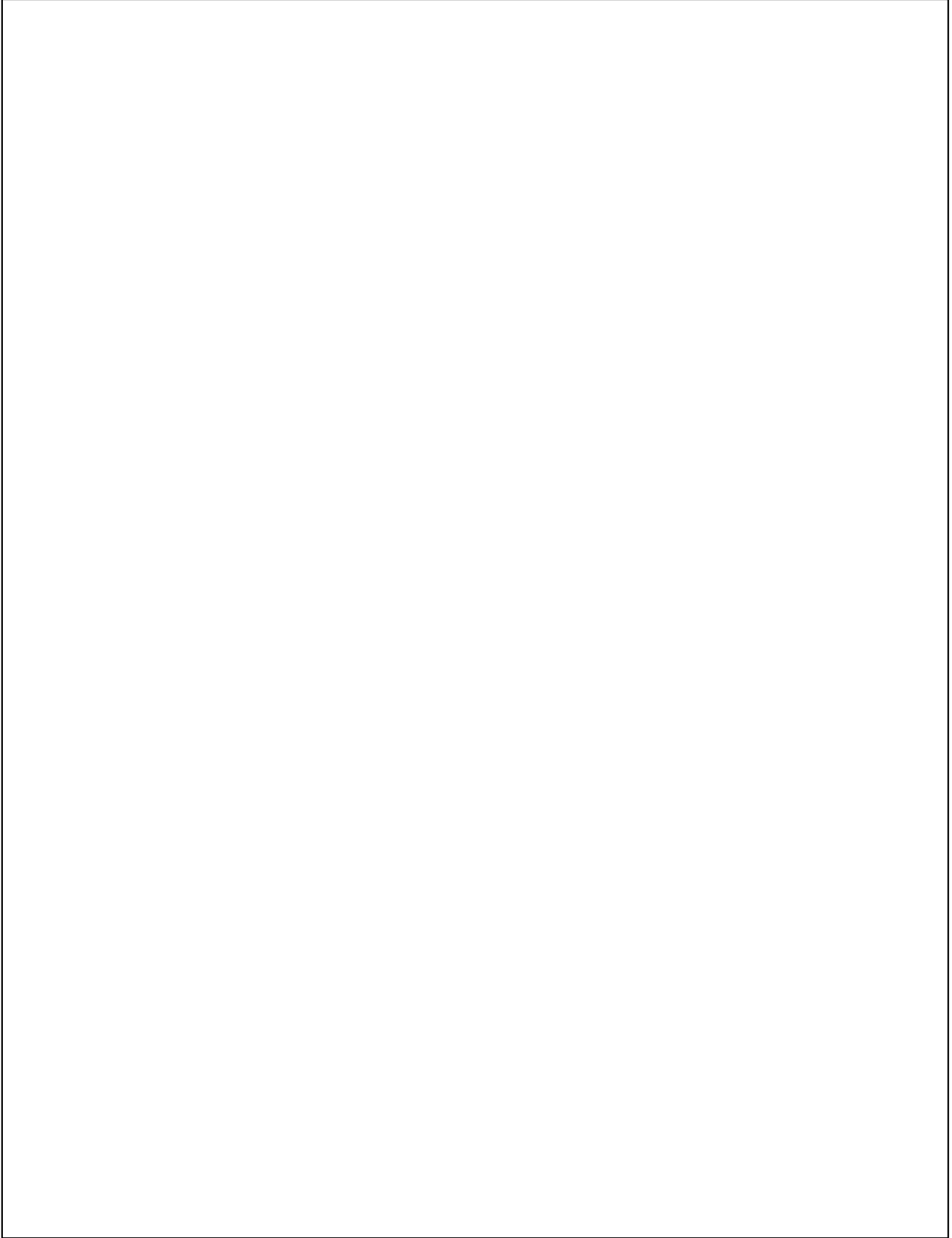
Secondary Visible Side

Scale 1:1

Section B

Accessories

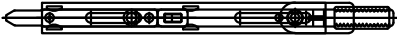
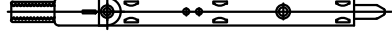


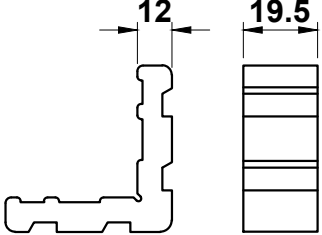

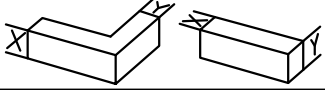
Photos & Drawings



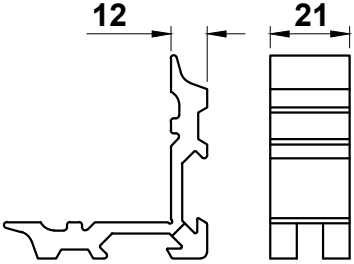
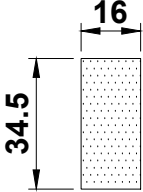
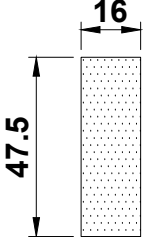
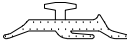
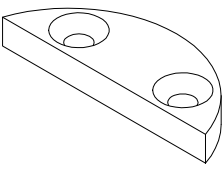

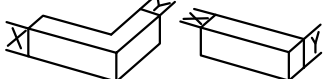
ACCESSORIES : PHOTOS & DRAWINGS

Image	Part Code	Pack	Unit	Application	Colour
	ACCY3045 Standard 30/45 Europrofile Cylinder Polished Chrome Finish For Keyed Alike Order <u>ACCY3045 SL</u>	1	each	ETD024N ETD025N	MF <input checked="" type="checkbox"/>
					SA <input type="checkbox"/>
	ACCY3045S1 High Security 30/45 Europrofile Cylinder Anti-Bump, Anti-Pick, Anti-Screw & Anti-Drill protection. Nickel Finish Keyed Alike Unavailable	1	each	ETD025N (open out)	MF <input checked="" type="checkbox"/>
					SA <input type="checkbox"/>
	ACCY4530S1 High Security 45/30 Europrofile Cylinder Anti-Bump, Anti-Pick, Anti-Screw & Anti-Drill protection. Nickel Finish Keyed Alike Unavailable	1	each	ETD024N (open in)	MF <input checked="" type="checkbox"/>
					SA <input type="checkbox"/>
	ACDR052 No. 10 x 2" Pan Head S/S Self Tapper	200	pack		MF <input checked="" type="checkbox"/>
					SA <input type="checkbox"/>
	ACDV251 Lever/Lever Handle	1	pair	ACET282 ACET283 ETD024N ETD025N	MF <input type="checkbox"/>
					SA <input type="checkbox"/>
	MF = Mill Finish SA = Silver Anodised KL = Basic Colour HP = Special Colour SSC = Smooth Satin Chrome SMC = Smokey Chrome PC = Polished Chrome				KL <input checked="" type="checkbox"/>
					HP <input checked="" type="checkbox"/>
				W = White Z = Black	

ACCESSORIES : PHOTOS & DRAWINGS

Image	Part Code	Pack	Unit	Application	Colour
	ACDV737 Bottom Shoot Bolt	1	each	ACET282 ACET283 ACET292 ACET293 ETD024N ETD025N	MF ✓ SA KL HP SSC SMC W Z PC
	ACDV738 Top Shoot Bolt	1	each	ACET282 ACET283 ACET292 ACET293 ETD024N ETD025N	MF ✓ SA KL HP SSC SMC W Z PC
	ACDV742 200mm Shoot Bolt Extension	1	each	ACDV737 ACDV738 ACET282 ACET283 ACET285 ACET292 ACET293 ETD024N ETD025N	MF ✓ SA KL HP SSC SMC W Z PC
	ACDV744 400mm Shoot Bolt Extension	1	pack	ACDV737 ACDV738 ACET282 ACET283 ACET285 ACET292 ACET293 ETD024N ETD025N	MF ✓ SA KL HP SSC SMC W Z PC
	ACET012 Crimping Cleat	24	pack	ETD012 ETD015 ETD017	MF ✓ SA KL HP SSC SMC W Z PC
	T-BARS ACVG65=2.5mm ACVG66=3.0mm ACVL150=4.0mm Screw (Grub)			MF = Mill Finish SA = Silver Anodised KL = Basic Colour HP = Special Colour SSC = Smooth Satin Chrome SMC = Smokey Chrome PC = Polished Chrome	W = White Z = Black
					

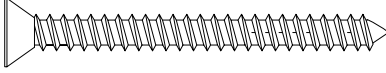

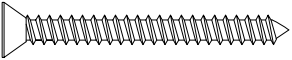
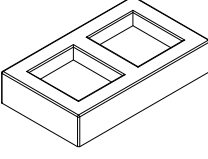
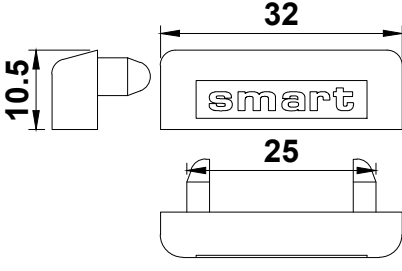


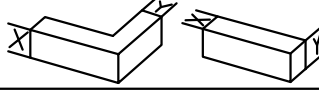
ACCESSORIES : PHOTOS & DRAWINGS

Image	Part Code	Pack	Unit	Application	Colour																		
	ACET017 Mechanical Cleat	24	pack	ETD015 ETD017	<table border="1"> <tr><td>MF</td><td>✓</td></tr> <tr><td>SA</td><td></td></tr> <tr><td>KL</td><td></td></tr> <tr><td>HP</td><td></td></tr> <tr><td>SSC</td><td></td></tr> <tr><td>SMC</td><td></td></tr> <tr><td>W</td><td></td></tr> <tr><td>Z</td><td></td></tr> <tr><td>PC</td><td></td></tr> </table>	MF	✓	SA		KL		HP		SSC		SMC		W		Z		PC	
MF	✓																						
SA																							
KL																							
HP																							
SSC																							
SMC																							
W																							
Z																							
PC																							
	ACET024 Foam Infill (1250mm lengths)	10	pack	ETD024N	<table border="1"> <tr><td>MF</td><td>✓</td></tr> <tr><td>SA</td><td></td></tr> <tr><td>KL</td><td></td></tr> <tr><td>HP</td><td></td></tr> <tr><td>SSC</td><td></td></tr> <tr><td>SMC</td><td></td></tr> <tr><td>W</td><td></td></tr> <tr><td>Z</td><td></td></tr> <tr><td>PC</td><td></td></tr> </table>	MF	✓	SA		KL		HP		SSC		SMC		W		Z		PC	
MF	✓																						
SA																							
KL																							
HP																							
SSC																							
SMC																							
W																							
Z																							
PC																							
	ACET026 Foam Infill (1250mm lengths)	10	pack	ETD025N	<table border="1"> <tr><td>MF</td><td>✓</td></tr> <tr><td>SA</td><td></td></tr> <tr><td>KL</td><td></td></tr> <tr><td>HP</td><td></td></tr> <tr><td>SSC</td><td></td></tr> <tr><td>SMC</td><td></td></tr> <tr><td>W</td><td></td></tr> <tr><td>Z</td><td></td></tr> <tr><td>PC</td><td></td></tr> </table>	MF	✓	SA		KL		HP		SSC		SMC		W		Z		PC	
MF	✓																						
SA																							
KL																							
HP																							
SSC																							
SMC																							
W																							
Z																							
PC																							
	ACET035 Bead Gasket	100	mtr		<table border="1"> <tr><td>MF</td><td></td></tr> <tr><td>SA</td><td></td></tr> <tr><td>KL</td><td></td></tr> <tr><td>HP</td><td></td></tr> <tr><td>SSC</td><td></td></tr> <tr><td>SMC</td><td></td></tr> <tr><td>W</td><td></td></tr> <tr><td>Z</td><td>✓</td></tr> <tr><td>PC</td><td></td></tr> </table>	MF		SA		KL		HP		SSC		SMC		W		Z	✓	PC	
MF																							
SA																							
KL																							
HP																							
SSC																							
SMC																							
W																							
Z	✓																						
PC																							
	ACET041 Cill Nose Bracket	1	each	ETC451 ETC452 ETC457 ETC458 ETC479	<table border="1"> <tr><td>MF</td><td>✓</td></tr> <tr><td>SA</td><td></td></tr> <tr><td>KL</td><td></td></tr> <tr><td>HP</td><td></td></tr> <tr><td>SSC</td><td></td></tr> <tr><td>SMC</td><td></td></tr> <tr><td>W</td><td></td></tr> <tr><td>Z</td><td></td></tr> <tr><td>PC</td><td></td></tr> </table>	MF	✓	SA		KL		HP		SSC		SMC		W		Z		PC	
MF	✓																						
SA																							
KL																							
HP																							
SSC																							
SMC																							
W																							
Z																							
PC																							
 <p>T-BARS ACVG66=2.5mm ACVG66=3.0mm ACVL150=4.0mm</p> <p>Screw (Grub)</p>	MF = Mill Finish SA = Silver Anodised KL = Basic Colour HP = Special Colour SSC = Smooth Satin Chrome SMC = Smokey Chrome PC = Polished Chrome	W = White Z = Black																					


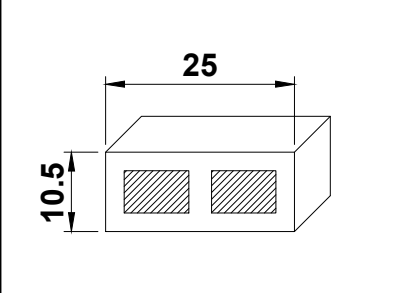
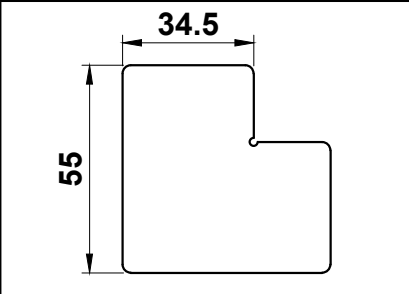
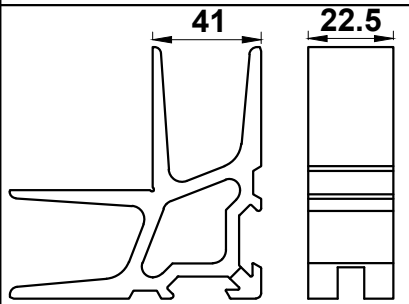
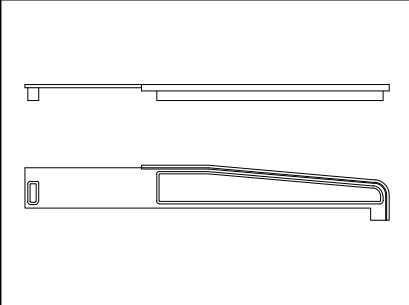
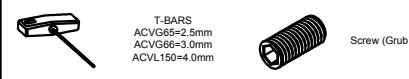

ACCESSORIES : PHOTOS & DRAWINGS

Image	Part Code	Pack	Unit	Application	Colour																		
	ACET044 Stainless steel chevron	50	pack	ETD012 ETD015 ETD017	<table border="1"> <tr><td>MF</td><td>✓</td></tr> <tr><td>SA</td><td></td></tr> <tr><td>KL</td><td></td></tr> <tr><td>HP</td><td></td></tr> <tr><td>SSC</td><td></td></tr> <tr><td>SMC</td><td></td></tr> <tr><td>W</td><td></td></tr> <tr><td>Z</td><td></td></tr> <tr><td>PC</td><td></td></tr> </table>	MF	✓	SA		KL		HP		SSC		SMC		W		Z		PC	
MF	✓																						
SA																							
KL																							
HP																							
SSC																							
SMC																							
W																							
Z																							
PC																							
	ACET045 Stainless steel chevron	50	pack	ETD012 ETD015 ETD017 ETD024N ETD025N	<table border="1"> <tr><td>MF</td><td>✓</td></tr> <tr><td>SA</td><td></td></tr> <tr><td>KL</td><td></td></tr> <tr><td>HP</td><td></td></tr> <tr><td>SSC</td><td></td></tr> <tr><td>SMC</td><td></td></tr> <tr><td>W</td><td></td></tr> <tr><td>Z</td><td></td></tr> <tr><td>PC</td><td></td></tr> </table>	MF	✓	SA		KL		HP		SSC		SMC		W		Z		PC	
MF	✓																						
SA																							
KL																							
HP																							
SSC																							
SMC																							
W																							
Z																							
PC																							
	ACET057 Mechanical Cleat	24	pack	ETD012 ETD015 ETD017	<table border="1"> <tr><td>MF</td><td>✓</td></tr> <tr><td>SA</td><td></td></tr> <tr><td>KL</td><td></td></tr> <tr><td>HP</td><td></td></tr> <tr><td>SSC</td><td></td></tr> <tr><td>SMC</td><td></td></tr> <tr><td>W</td><td></td></tr> <tr><td>Z</td><td></td></tr> <tr><td>PC</td><td></td></tr> </table>	MF	✓	SA		KL		HP		SSC		SMC		W		Z		PC	
MF	✓																						
SA																							
KL																							
HP																							
SSC																							
SMC																							
W																							
Z																							
PC																							
	ACET077 Crimping Cleat	24	pack	ETC046	<table border="1"> <tr><td>MF</td><td>✓</td></tr> <tr><td>SA</td><td></td></tr> <tr><td>KL</td><td></td></tr> <tr><td>HP</td><td></td></tr> <tr><td>SSC</td><td></td></tr> <tr><td>SMC</td><td></td></tr> <tr><td>W</td><td></td></tr> <tr><td>Z</td><td></td></tr> <tr><td>PC</td><td></td></tr> </table>	MF	✓	SA		KL		HP		SSC		SMC		W		Z		PC	
MF	✓																						
SA																							
KL																							
HP																							
SSC																							
SMC																							
W																							
Z																							
PC																							
	ACET060 No. 7 x 1" CSK S/S Self Tapper	100	pack		<table border="1"> <tr><td>MF</td><td>✓</td></tr> <tr><td>SA</td><td></td></tr> <tr><td>KL</td><td></td></tr> <tr><td>HP</td><td></td></tr> <tr><td>SSC</td><td></td></tr> <tr><td>SMC</td><td></td></tr> <tr><td>W</td><td></td></tr> <tr><td>Z</td><td></td></tr> <tr><td>PC</td><td></td></tr> </table>	MF	✓	SA		KL		HP		SSC		SMC		W		Z		PC	
MF	✓																						
SA																							
KL																							
HP																							
SSC																							
SMC																							
W																							
Z																							
PC																							
<p>T-BARS ACVG65=2.5mm ACVG66=3.0mm ACVL150=4.0mm</p> <p>Screw (Grub)</p>	MF = Mill Finish SA = Silver Anodised KL = Basic Colour HP = Special Colour SSC = Smooth Satin Chrome SMC = Smokey Chrome PC = Polished Chrome	W = White Z = Black																					

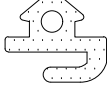
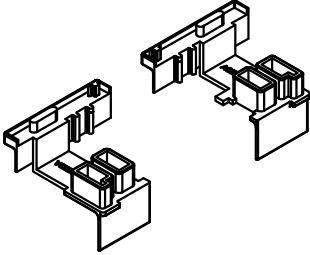
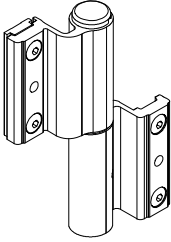
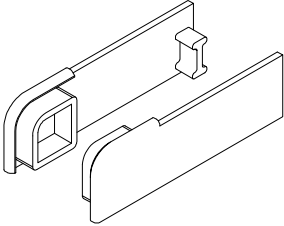



ACCESSORIES : PHOTOS & DRAWINGS

Image	Part Code	Pack	Unit	Application	Colour	
	ACET062 No. 10 x 2" CSK S/S Self Tapper	100	pack	ETD034	MF	✓
					SA	
					KL	
					HP	
					SSC	
					SMC	
					W	
					Z	
					PC	
	ACET064 No. 8 x 16mm S/S Self Tapping Flange CSK Head	100	pack		MF	✓
					SA	
					KL	
					HP	
					SSC	
					SMC	
					W	
					Z	
					PC	
	ACET066 No. 7 x 1 1/2" CSK S/S Self Tapper	100	pack		MF	✓
					SA	
					KL	
					HP	
					SSC	
					SMC	
					W	
					Z	
					PC	
	ACET093 Packer	24	pack	ETD012 ETD015 ETD017	MF	✓
					SA	
					KL	
					HP	
					SSC	
					SMC	
					W	
					Z	
					PC	
	ACET131 Drainage Cap	100	pack	ETD012 ETD015 ETD017	MF	
					SA	
					KL	
					HP	
					SSC	
					SMC	
					W	✓
					Z	✓
					PC	
 	MF = Mill Finish SA = Silver Anodised KL = Basic Colour HP = Special Colour SSC = Smooth Satin Chrome SMC = Smokey Chrome PC = Polished Chrome	W = White Z = Black				


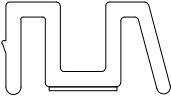
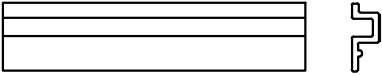
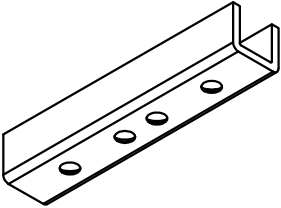



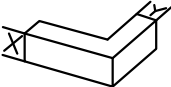
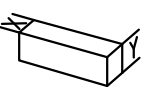
ACCESSORIES : PHOTOS & DRAWINGS

Image	Part Code	Pack	Unit	Application	Colour
	ACET149 Slimline Restrictor	1	each	ETD012 ETD015 ETD017 ETD024N ETD025N	MF <input checked="" type="checkbox"/> SA <input type="checkbox"/> KL <input type="checkbox"/> HP <input type="checkbox"/> SSC <input type="checkbox"/> SMC <input type="checkbox"/> W <input type="checkbox"/> Z <input type="checkbox"/> PC <input type="checkbox"/>
	ACET153 Self-Adhesive Packer	24	Pack	ETD012 ETD015 ETD017 ETD024N ETD025N	MF <input checked="" type="checkbox"/> SA <input type="checkbox"/> KL <input type="checkbox"/> HP <input type="checkbox"/> SSC <input type="checkbox"/> SMC <input type="checkbox"/> W <input type="checkbox"/> Z <input type="checkbox"/> PC <input type="checkbox"/>
	ACET154 Chevron	24	pack	ETD024N ETD025N	MF <input checked="" type="checkbox"/> SA <input type="checkbox"/> KL <input type="checkbox"/> HP <input type="checkbox"/> SSC <input type="checkbox"/> SMC <input type="checkbox"/> W <input type="checkbox"/> Z <input type="checkbox"/> PC <input type="checkbox"/>
	ACET155 Cleat	24	pack	ETD024N ETD025N	MF <input checked="" type="checkbox"/> SA <input type="checkbox"/> KL <input type="checkbox"/> HP <input type="checkbox"/> SSC <input type="checkbox"/> SMC <input type="checkbox"/> W <input type="checkbox"/> Z <input type="checkbox"/> PC <input type="checkbox"/>
	ACET157 PVC Cill End Cap	10	pair	ETC457	MF <input type="checkbox"/> SA <input type="checkbox"/> KL <input type="checkbox"/> HP <input type="checkbox"/> SSC <input type="checkbox"/> SMC <input type="checkbox"/> W <input checked="" type="checkbox"/> Z <input checked="" type="checkbox"/> PC <input type="checkbox"/>
	<p>T-BARS ACVG65=2.5mm ACVG66=3.0mm ACVL150=4.0mm</p> <p>Screw (Grub)</p>	<p>MF = Mill Finish SA = Silver Anodised KL = Basic Colour HP = Special Colour SSC = Smooth Satin Chrome SMC = Smokey Chrome PC = Polished Chrome</p>	<p>W = White Z = Black</p>		

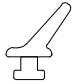

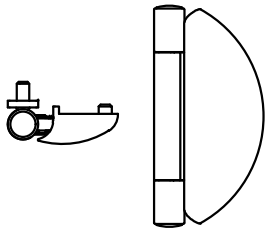

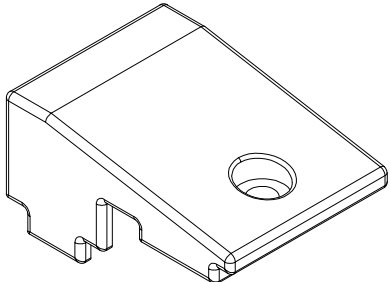


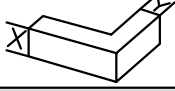
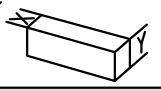
ACCESSORIES : PHOTOS & DRAWINGS

Image	Part Code	Pack	Unit	Application	Colour	
	ACET160 Flipper Gasket	100	mtr	ETD012 ETD015 ETD017 ETD024N ETD025N ETD047	MF	
					SA	
					KL	
					HP	
					SSC	
					SMC	
					W	
					Z	✓
					PC	
						ACET162 ETD048 End Cap
SA						
KL						
HP						
SSC						
SMC						
W	✓					
Z	✓					
PC						
	ACET174 Adjustable Hinge	1	pair	ETD012 ETD015 ETD017 ETD024N ETD025N		
					SA	✓
					KL	
					HP	
					SSC	
					SMC	
					W	✓
					Z	✓
					PC	
						ACET178 Cill End Cap
SA						
KL						
HP						
SSC						
SMC						
W	✓					
Z	✓					
PC						
	ACET179 PVC Cill End Cap	10	pair	ETC479		
					SA	
					KL	
					HP	
					SSC	
					SMC	
					W	✓
					Z	✓
					PC	
					 T-BARS ACVG66=2.5mm ACVG66=3.0mm ACVL150=4.0mm	 Screw (Grub)

ACCESSORIES : PHOTOS & DRAWINGS

Image	Part Code	Pack	Unit	Application	Colour																		
	ACET200 Bridge Packer	10	pack	ETD024N	<table border="1"> <tr><td>MF</td><td>✓</td></tr> <tr><td>SA</td><td></td></tr> <tr><td>KL</td><td></td></tr> <tr><td>HP</td><td></td></tr> <tr><td>SSC</td><td></td></tr> <tr><td>SMC</td><td></td></tr> <tr><td>W</td><td></td></tr> <tr><td>Z</td><td></td></tr> <tr><td>PC</td><td></td></tr> </table>	MF	✓	SA		KL		HP		SSC		SMC		W		Z		PC	
MF	✓																						
SA																							
KL																							
HP																							
SSC																							
SMC																							
W																							
Z																							
PC																							
	ACET201 Bridge Packer	10	pack	ETD012 ETD015 ETD017	<table border="1"> <tr><td>MF</td><td>✓</td></tr> <tr><td>SA</td><td></td></tr> <tr><td>KL</td><td></td></tr> <tr><td>HP</td><td></td></tr> <tr><td>SSC</td><td></td></tr> <tr><td>SMC</td><td></td></tr> <tr><td>W</td><td></td></tr> <tr><td>Z</td><td></td></tr> <tr><td>PC</td><td></td></tr> </table>	MF	✓	SA		KL		HP		SSC		SMC		W		Z		PC	
MF	✓																						
SA																							
KL																							
HP																							
SSC																							
SMC																							
W																							
Z																							
PC																							
	ACET202 Bridge Packer	10	pack	ETD025N	<table border="1"> <tr><td>MF</td><td>✓</td></tr> <tr><td>SA</td><td></td></tr> <tr><td>KL</td><td></td></tr> <tr><td>HP</td><td></td></tr> <tr><td>SSC</td><td></td></tr> <tr><td>SMC</td><td></td></tr> <tr><td>W</td><td></td></tr> <tr><td>Z</td><td></td></tr> <tr><td>PC</td><td></td></tr> </table>	MF	✓	SA		KL		HP		SSC		SMC		W		Z		PC	
MF	✓																						
SA																							
KL																							
HP																							
SSC																							
SMC																							
W																							
Z																							
PC																							
	ACET217 Steel Keep Reinforcement	1	each	ETD012 ETD015 ETD017 ETD048	<table border="1"> <tr><td>MF</td><td>✓</td></tr> <tr><td>SA</td><td></td></tr> <tr><td>KL</td><td></td></tr> <tr><td>HP</td><td></td></tr> <tr><td>SSC</td><td></td></tr> <tr><td>SMC</td><td></td></tr> <tr><td>W</td><td></td></tr> <tr><td>Z</td><td></td></tr> <tr><td>PC</td><td></td></tr> </table>	MF	✓	SA		KL		HP		SSC		SMC		W		Z		PC	
MF	✓																						
SA																							
KL																							
HP																							
SSC																							
SMC																							
W																							
Z																							
PC																							
	ACET232 Threshold Gasket	100	mtr	ETD198	<table border="1"> <tr><td>MF</td><td></td></tr> <tr><td>SA</td><td></td></tr> <tr><td>KL</td><td></td></tr> <tr><td>HP</td><td></td></tr> <tr><td>SSC</td><td></td></tr> <tr><td>SMC</td><td></td></tr> <tr><td>W</td><td></td></tr> <tr><td>Z</td><td>✓</td></tr> <tr><td>PC</td><td></td></tr> </table>	MF		SA		KL		HP		SSC		SMC		W		Z	✓	PC	
MF																							
SA																							
KL																							
HP																							
SSC																							
SMC																							
W																							
Z	✓																						
PC																							
 <p>T-BARS ACVG65=2.5mm ACVG66=3.0mm ACVL150=4.0mm</p>  <p>Screw (Grub)</p>	<p>MF = Mill Finish SA = Silver Anodised KL = Basic Colour HP = Special Colour SSC = Smooth Satin Chrome SMC = Smokey Chrome PC = Polished Chrome</p>	<p>W = White Z = Black</p>	 																				

ACCESSORIES : PHOTOS & DRAWINGS

Image	Part Code	Pack	Unit	Application	Colour	
	ACET234 Threshold Gasket	100	mtr	ETD196	MF	
					SA	
					KL	
					HP	
					SSC	
					SMC	
					W	
					Z	✓
					PC	
	ACET249 500mm Hold Open Restrictor	1	each		MF	✓
					SA	
					KL	
					HP	
					SSC	
					SMC	
					W	
					Z	
					PC	
	ACET250 Fully adjustable hinge Available in White, Black or Silver-Grey.	24	pack	ETD012 ETD015 ETD017 ETD024N ETD025N	MF	✓
					SA	
					KL	✓
					HP	✓
					SSC	
					SMC	
					W	✓
					Z	✓
					PC	
	ACET252 Hinge Protector Kit	1	kit		MF	✓
					SA	
					KL	
					HP	
					SSC	
					SMC	
					W	
					Z	
					PC	
	ACET257 Guide Block	50	pack	ETD012 ETD015 ETD017	MF	
					SA	
					KL	
					HP	
					SSC	
					SMC	
					W	✓
					Z	✓
					PC	
 T-BARS ACVG65=2.5mm ACVG66=3.0mm ACVL150=4.0mm	 Screw (Grub)	MF = Mill Finish SA = Silver Anodised KL = Basic Colour HP = Special Colour SSC = Smooth Satin Chrome SMC = Smokey Chrome PC = Polished Chrome	W = White Z = Black	 		

ACCESSORIES : PHOTOS & DRAWINGS


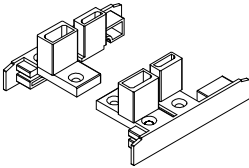
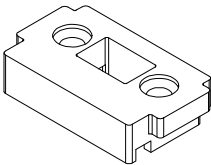
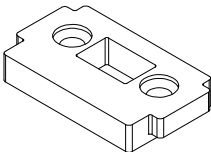



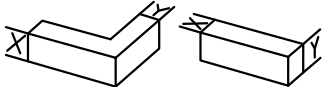
Image	Part Code	Pack	Unit	Application	Colour																		
	ACET258 PVC Cill End Cap	10	pair	ETC458	<table border="1"> <tr><td>MF</td><td></td></tr> <tr><td>SA</td><td></td></tr> <tr><td>KL</td><td></td></tr> <tr><td>HP</td><td></td></tr> <tr><td>SSC</td><td></td></tr> <tr><td>SMC</td><td></td></tr> <tr><td>W</td><td>✓</td></tr> <tr><td>Z</td><td>✓</td></tr> <tr><td>PC</td><td></td></tr> </table>	MF		SA		KL		HP		SSC		SMC		W	✓	Z	✓	PC	
MF																							
SA																							
KL																							
HP																							
SSC																							
SMC																							
W	✓																						
Z	✓																						
PC																							
	ACET259 ETD196 End Cap/Bracket	1	pair	ETD012 ETD015 ETD017 ETD196	<table border="1"> <tr><td>MF</td><td></td></tr> <tr><td>SA</td><td></td></tr> <tr><td>KL</td><td></td></tr> <tr><td>HP</td><td></td></tr> <tr><td>SSC</td><td></td></tr> <tr><td>SMC</td><td></td></tr> <tr><td>W</td><td>✓</td></tr> <tr><td>Z</td><td>✓</td></tr> <tr><td>PC</td><td></td></tr> </table>	MF		SA		KL		HP		SSC		SMC		W	✓	Z	✓	PC	
MF																							
SA																							
KL																							
HP																							
SSC																							
SMC																							
W	✓																						
Z	✓																						
PC																							
	ACET268 Standard Outerframe Single Keep	1	each		<table border="1"> <tr><td>MF</td><td></td></tr> <tr><td>SA</td><td></td></tr> <tr><td>KL</td><td></td></tr> <tr><td>HP</td><td></td></tr> <tr><td>SSC</td><td></td></tr> <tr><td>SMC</td><td></td></tr> <tr><td>W</td><td></td></tr> <tr><td>Z</td><td></td></tr> <tr><td>PC</td><td></td></tr> </table>	MF		SA		KL		HP		SSC		SMC		W		Z		PC	
MF																							
SA																							
KL																							
HP																							
SSC																							
SMC																							
W																							
Z																							
PC																							
	ACET269 Standard Outerframe Single Keep	1	each		<table border="1"> <tr><td>MF</td><td></td></tr> <tr><td>SA</td><td></td></tr> <tr><td>KL</td><td></td></tr> <tr><td>HP</td><td></td></tr> <tr><td>SSC</td><td></td></tr> <tr><td>SMC</td><td></td></tr> <tr><td>W</td><td></td></tr> <tr><td>Z</td><td></td></tr> <tr><td>PC</td><td></td></tr> </table>	MF		SA		KL		HP		SSC		SMC		W		Z		PC	
MF																							
SA																							
KL																							
HP																							
SSC																							
SMC																							
W																							
Z																							
PC																							
	ACET271 Open Out Split Spindle Kit 1 x 51mm Spindle - Inside 1 x 48mm Spindle - Outside	1	each	ETD024N ETD025N ACDV251 ACET480 ACET484 ACET486 ACET487 ACET488	<table border="1"> <tr><td>MF</td><td></td></tr> <tr><td>SA</td><td></td></tr> <tr><td>KL</td><td></td></tr> <tr><td>HP</td><td></td></tr> <tr><td>SSC</td><td></td></tr> <tr><td>SMC</td><td></td></tr> <tr><td>W</td><td></td></tr> <tr><td>Z</td><td></td></tr> <tr><td>PC</td><td></td></tr> </table>	MF		SA		KL		HP		SSC		SMC		W		Z		PC	
MF																							
SA																							
KL																							
HP																							
SSC																							
SMC																							
W																							
Z																							
PC																							
 <p>T-BARS ACVG65=2.5mm ACVG66=3.0mm ACVL150=4.0mm</p>  <p>Screw (Grub)</p>	<p>MF = Mill Finish SA = Silver Anodised KL = Basic Colour HP = Special Colour SSC = Smooth Satin Chrome SMC = Smokey Chrome PC = Polished Chrome</p> <p>W = White Z = Black</p>																						

Image	Part Code	Pack	Unit	Application	Colour																		
	<p>ACET272</p> <p>Primary door lock kit with left hand full height keep.</p> <p>Kit includes:</p> <ul style="list-style-type: none"> • 1 x Lock • 1 x Left Hand full height Keep <p>Viewed Externally</p>	1	Each	<p>ACDV251 ACET480 ACDV742 ACDV744 ETD024N ETD025N</p>	<table border="1"> <tr><td>MF</td><td>✓</td></tr> <tr><td>SA</td><td></td></tr> <tr><td>KL</td><td></td></tr> <tr><td>HP</td><td></td></tr> <tr><td>SSC</td><td></td></tr> <tr><td>SMC</td><td></td></tr> <tr><td>W</td><td></td></tr> <tr><td>Z</td><td></td></tr> <tr><td>PC</td><td></td></tr> </table>	MF	✓	SA		KL		HP		SSC		SMC		W		Z		PC	
MF	✓																						
SA																							
KL																							
HP																							
SSC																							
SMC																							
W																							
Z																							
PC																							
	<p>MF = Mill Finish SA = Silver Anodised KL = Basic Colour HP = Special Colour SSC = Smooth Satin Chrome SMC = Smokey Chrome PC = Polished Chrome</p>	<p>W = White Z = Black</p>																					

Image	Part Code	Pack	Unit	Application	Colour																		
	<p>ACET273</p> <p>Primary door lock kit with right hand full height keep.</p> <p>Kit includes:</p> <ul style="list-style-type: none"> • 1 x Lock • 1 x Right Hand full height Keep <p>Viewed Externally</p> <p>Right Hand Open Out Left Hand Open In</p>	1	Each	<p>ACDV251 ACET480 ACDV742 ACDV744 ETD024N ETD025N</p>	<table border="1"> <tr><td>MF</td><td>✓</td></tr> <tr><td>SA</td><td></td></tr> <tr><td>KL</td><td></td></tr> <tr><td>HP</td><td></td></tr> <tr><td>SSC</td><td></td></tr> <tr><td>SMC</td><td></td></tr> <tr><td>W</td><td></td></tr> <tr><td>Z</td><td></td></tr> <tr><td>PC</td><td></td></tr> </table>	MF	✓	SA		KL		HP		SSC		SMC		W		Z		PC	
MF	✓																						
SA																							
KL																							
HP																							
SSC																							
SMC																							
W																							
Z																							
PC																							
	<p>MF = Mill Finish SA = Silver Anodised KL = Basic Colour HP = Special Colour SSC = Smooth Satin Chrome SMC = Smokey Chrome PC = Polished Chrome</p>	<p>W = White Z = Black</p>																					

ACCESSORIES : PHOTOS & DRAWINGS




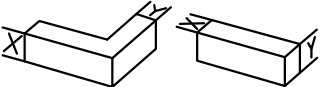
Image	Part Code	Pack	Unit	Application	Colour
	<p>ACET275</p> <p>Open In Split Spindle Kit</p> <p>1 x 55mm Spindle - Outside 1 x 45mm Spindle - Inside</p>	1	each	<p>ETD024N ETD025N ACDV251 ACET480 ACET484 ACET486 ACET487 ACET488</p>	MF
					SA
					KL
					HP
					SSC
					SMC
					W
					Z
					PC
					MF
					SA
					KL
					HP
					SSC
					SMC
					W
					Z
					PC
					MF
					SA
					KL
					HP
					SSC
					SMC
					W
					Z
					PC
					MF
					SA
					KL
					HP
					SSC
					SMC
					W
					Z
					PC
 <p>T-BARS ACVG65=2.5mm ACVG66=3.0mm ACVL150=4.0mm</p>  <p>Screw (Grub)</p>	<p>MF = Mill Finish SA = Silver Anodised KL = Basic Colour HP = Special Colour SSC = Smooth Satin Chrome SMC = Smokey Chrome PC = Polished Chrome</p>	<p>W = White Z = Black</p>			

Image	Part Code	Pack	Unit	Application	Colour																		
	<p>ACET276 Split Spindle Multipoint Lock with left hand full height keep.</p> <p>Kit includes:</p> <ul style="list-style-type: none"> • 1 x Lock • 1 x Left Hand full height Keep <p>Viewed Externally</p> <p>Left Hand Open Out Right Hand Open In</p>	1	Each	<p>ACDV251 ACET480 ACET484 ACET486 ACET487 ACET488 ACDV742 ACDV744 ETD024N ETD025N</p>	<table border="1"> <tr><td>MF</td><td></td></tr> <tr><td>SA</td><td></td></tr> <tr><td>KL</td><td></td></tr> <tr><td>HP</td><td></td></tr> <tr><td>SSC</td><td></td></tr> <tr><td>SMC</td><td></td></tr> <tr><td>W</td><td></td></tr> <tr><td>Z</td><td></td></tr> <tr><td>PC</td><td></td></tr> </table>	MF		SA		KL		HP		SSC		SMC		W		Z		PC	
MF																							
SA																							
KL																							
HP																							
SSC																							
SMC																							
W																							
Z																							
PC																							
<p>T-BARS ACVG65=2.5mm ACVG66=3.0mm ACVL150=4.0mm</p> <p>Screw (Grub)</p>	<p>MF = Mill Finish SA = Silver Anodised KL = Basic Colour HP = Special Colour SSC = Smooth Satin Chrome SMC = Smokey Chrome PC = Polished Chrome</p>	<p>W = White Z = Black</p>																					

Image	Part Code	Pack	Unit	Application	Colour																		
	<p>ACET277 Split Spindle Multipoint Lock with right hand full height keep.</p> <p>Kit includes:</p> <ul style="list-style-type: none"> • 1 x Lock • 1 x Right Hand full height Keep <p>Viewed Externally</p>	1	Each	<p>ACDV251 ACET480 ACET484 ACET486 ACET487 ACET488 ACDV742 ACDV744 ETD024N ETD025N</p>	<table border="1"> <tr><td>MF</td><td></td></tr> <tr><td>SA</td><td></td></tr> <tr><td>KL</td><td></td></tr> <tr><td>HP</td><td></td></tr> <tr><td>SSC</td><td></td></tr> <tr><td>SMC</td><td></td></tr> <tr><td>W</td><td></td></tr> <tr><td>Z</td><td></td></tr> <tr><td>PC</td><td></td></tr> </table>	MF		SA		KL		HP		SSC		SMC		W		Z		PC	
MF																							
SA																							
KL																							
HP																							
SSC																							
SMC																							
W																							
Z																							
PC																							
	<p>MF = Mill Finish SA = Silver Anodised KL = Basic Colour HP = Special Colour SSC = Smooth Satin Chrome SMC = Smokey Chrome PC = Polished Chrome</p>	<p>W = White Z = Black</p>																					

Image	Part Code	Pack	Unit	Application	Colour																		
	<p>ACET282</p> <p>Multi-point Lock Kit with Left Hand Full Height Keep</p> <p>Viewed Externally</p> <p>Left Hand Open Out Right Hand Open In</p>	<p>1</p>	<p>pack</p>	<p>ACDV251 ACET480 ACDV737 ACDV738 ACDV742 ACDV744 ETD024N ETD025N</p>	<table border="1"> <tr><td>MF</td><td>✓</td></tr> <tr><td>SA</td><td></td></tr> <tr><td>KL</td><td></td></tr> <tr><td>HP</td><td></td></tr> <tr><td>SSC</td><td></td></tr> <tr><td>SMC</td><td></td></tr> <tr><td>W</td><td></td></tr> <tr><td>Z</td><td></td></tr> <tr><td>PC</td><td></td></tr> </table>	MF	✓	SA		KL		HP		SSC		SMC		W		Z		PC	
MF	✓																						
SA																							
KL																							
HP																							
SSC																							
SMC																							
W																							
Z																							
PC																							
	<p>MF = Mill Finish W = White SA = Silver Anodised Z = Black KL = Basic Colour HP = Special Colour SSC = Smooth Satin Chrome SMC = Smokey Chrome PC = Polished Chrome</p>																						

Image	Part Code	Pack	Unit	Application	Colour																		
	<p>ACET283 Multi-point Lock Kit with Right Hand Full Height Keep</p> <p>Viewed Externally</p> <p>Left Hand Open In Right Hand Open Out</p>	1	pack	<p>ACDV251 ACET480 ACDV737 ACDV738 ACDV742 ACDV744 ETD024N ETD025N</p>	<table border="1"> <tr><td>MF</td><td>✓</td></tr> <tr><td>SA</td><td></td></tr> <tr><td>KL</td><td></td></tr> <tr><td>HP</td><td></td></tr> <tr><td>SSC</td><td></td></tr> <tr><td>SMC</td><td></td></tr> <tr><td>W</td><td></td></tr> <tr><td>Z</td><td></td></tr> <tr><td>PC</td><td></td></tr> </table>	MF	✓	SA		KL		HP		SSC		SMC		W		Z		PC	
MF	✓																						
SA																							
KL																							
HP																							
SSC																							
SMC																							
W																							
Z																							
PC																							
	<p>MF = Mill Finish SA = Silver Anodised KL = Basic Colour HP = Special Colour SSC = Smooth Satin Chrome SMC = Smokey Chrome PC = Polished Chrome</p>	<p>W = White Z = Black</p>																					

ACCESSORIES : PHOTOS & DRAWINGS

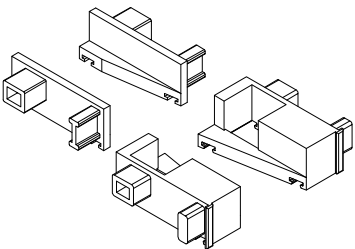


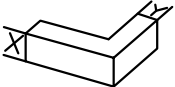
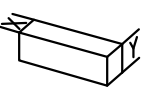
Image	Part Code	Pack	Unit	Application	Colour
	ACET284 Single Door End Caps for Low Threshold (PAS24) Pack Includes: 1 Primary Pair ACET289 1 Hinge Pair ACET291	1	Kit	ETD024N ETD025N ETD197	MF
					SA
					KL
					HP
					SSC
					SMC
					W
					Z
					PC
					MF
					SA
					KL
					HP
					SSC
					SMC
					W
					Z
					PC
					MF
					SA
					KL
					HP
					SSC
					SMC
					W
					Z
					PC
 <p>T-BARS ACVG65=2.5mm ACVG66=3.0mm ACVL150=4.0mm</p>  <p>Screw (Grub)</p>	MF = Mill Finish SA = Silver Anodised KL = Basic Colour HP = Special Colour SSC = Smooth Satin Chrome SMC = Smokey Chrome PC = Polished Chrome	W = White Z = Black	 		

Image	Part Code	Pack	Unit	Application	Colour																		
	<p>ACET285</p> <p>Secondary Door Lock Kit</p> <p>Kit Includes:</p> <ul style="list-style-type: none"> • 1 x Lock • 1 x Top Shoot Bolt • 1 x Bottom Shoot Bolt • 2 x Double Keeps • 2 x Full Frame Keep Underplates • 1 x Low Threshold Keep Underplate 	1	pack	<p>ACDV251</p> <p>ACET480</p> <p>ACDV742</p> <p>ACDV744</p> <p>ETD024N</p> <p>ETD025N</p>	<table border="1"> <tr><td>MF</td><td>✓</td></tr> <tr><td>SA</td><td></td></tr> <tr><td>KL</td><td></td></tr> <tr><td>HP</td><td></td></tr> <tr><td>SSC</td><td></td></tr> <tr><td>SMC</td><td></td></tr> <tr><td>W</td><td></td></tr> <tr><td>Z</td><td></td></tr> <tr><td>PC</td><td></td></tr> </table>	MF	✓	SA		KL		HP		SSC		SMC		W		Z		PC	
MF	✓																						
SA																							
KL																							
HP																							
SSC																							
SMC																							
W																							
Z																							
PC																							
	<p>MF = Mill Finish</p> <p>SA = Silver Anodised</p> <p>KL = Basic Colour</p> <p>HP = Special Colour</p> <p>SSC = Smooth Satin Chrome</p> <p>SMC = Smokey Chrome</p> <p>PC = Polished Chrome</p>	<p>W = White</p> <p>Z = Black</p>																					

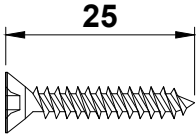
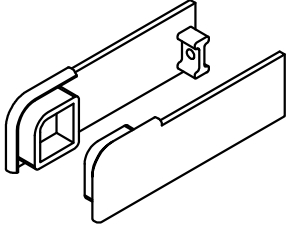
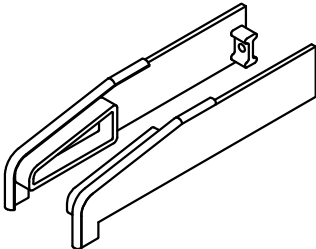
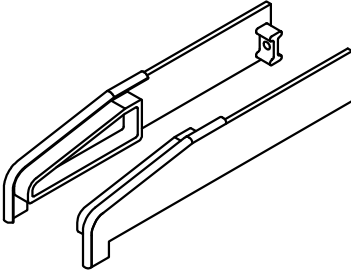
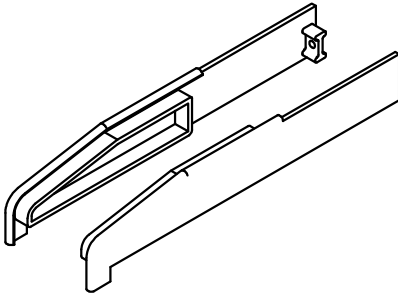


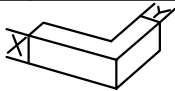
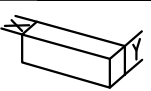
ACCESSORIES : PHOTOS & DRAWINGS

Image	Part Code	Pack	Unit	Application	Colour
	<p>ACET289</p> <p>Double Door End Caps For Low Threshold</p> <p>Pack Includes: 1 Pair Primary Door End Caps 1 Pair Secondary Door End Caps</p>	1	pack	<p>ETD024N ETD025N ETD048 ETD197</p>	MF
					SA
	<p>ACET291</p> <p>End Caps for ETD197</p>	1	pair	<p>ETD197</p>	KL
					HP
					SSC
					SMC
					W
					Z
					PC
					MF
					SA
					KL
					HP
					SSC
					SMC
					W
					Z
					PC
	<p>MF = Mill Finish</p> <p>SA = Silver Anodised</p> <p>KL = Basic Colour</p> <p>HP = Special Colour</p> <p>SSC = Smooth Satin Chrome</p> <p>SMC = Smokey Chrome</p> <p>PC = Polished Chrome</p>				W = White
					Z = Black

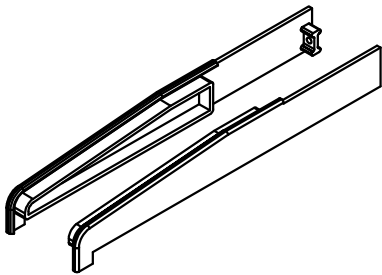
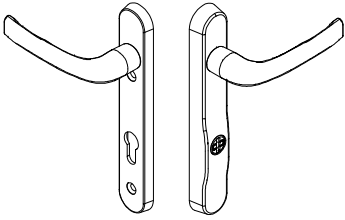
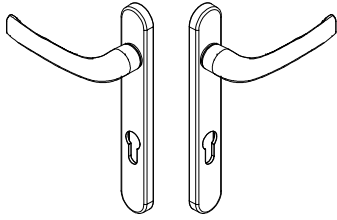
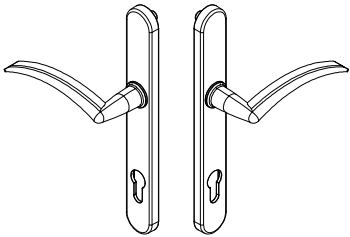
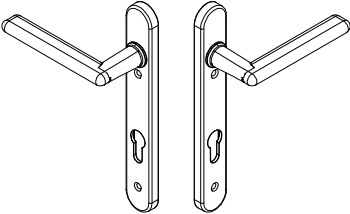

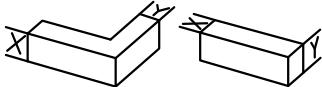
Image	Part Code	Pack	Unit	Application	Colour																		
	<p>ACET292</p> <p>Primary Door Lock Kit with Left Hand Keeps</p> <p>Kit Includes:</p> <ul style="list-style-type: none"> • 1 x Lock • 1 x Left Hand Centre Keep • 2 x Hook Keeps • 2 x Roller Keeps <p>Viewed Externally</p> <p>Left Hand Open Out Right Hand Open In</p>	1	pack	<p>ACDV251 ACET480 ACDV742 ACDV744 ETD024N ETD025N</p>	<table border="1"> <tr><td>MF</td><td>✓</td></tr> <tr><td>SA</td><td></td></tr> <tr><td>KL</td><td></td></tr> <tr><td>HP</td><td></td></tr> <tr><td>SSC</td><td></td></tr> <tr><td>SMC</td><td></td></tr> <tr><td>W</td><td></td></tr> <tr><td>Z</td><td></td></tr> <tr><td>PC</td><td></td></tr> </table>	MF	✓	SA		KL		HP		SSC		SMC		W		Z		PC	
MF	✓																						
SA																							
KL																							
HP																							
SSC																							
SMC																							
W																							
Z																							
PC																							
<p>T-BARS ACVG65=2.5mm ACVG66=3.0mm ACVL150=4.0mm</p> <p>Screw (Grub)</p>	<p>MF = Mill Finish SA = Silver Anodised KL = Basic Colour HP = Special Colour SSC = Smooth Satin Chrome SMC = Smokey Chrome PC = Polished Chrome</p>	<p>W = White Z = Black</p>																					

Image	Part Code	Pack	Unit	Application	Colour																		
	<p>ACET293</p> <p>Primary Door Lock Kit with Right Hand Keeps</p> <p>Kit Includes:</p> <ul style="list-style-type: none"> • 1 x Lock • 1 x Right Hand Centre Keep • 2 x Hook Keeps • 2 x Roller Keeps <p>Viewed Externally</p>	1	pack	<p>ACDV251 ACET480 ACDV742 ACDV744 ETD024N ETD025N</p>	<table border="1"> <tr><td>MF</td><td>✓</td></tr> <tr><td>SA</td><td></td></tr> <tr><td>KL</td><td></td></tr> <tr><td>HP</td><td></td></tr> <tr><td>SSC</td><td></td></tr> <tr><td>SMC</td><td></td></tr> <tr><td>W</td><td></td></tr> <tr><td>Z</td><td></td></tr> <tr><td>PC</td><td></td></tr> </table>	MF	✓	SA		KL		HP		SSC		SMC		W		Z		PC	
MF	✓																						
SA																							
KL																							
HP																							
SSC																							
SMC																							
W																							
Z																							
PC																							
	<p>MF = Mill Finish SA = Silver Anodised KL = Basic Colour HP = Special Colour SSC = Smooth Satin Chrome SMC = Smokey Chrome PC = Polished Chrome</p>	<p>W = White Z = Black</p>																					

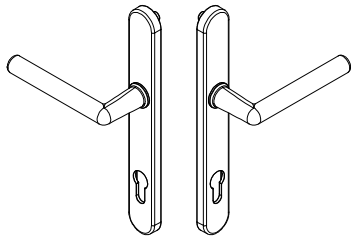

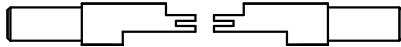
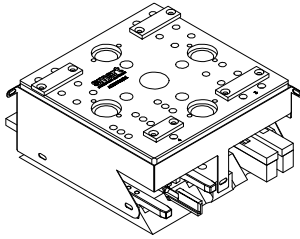
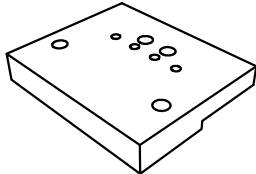


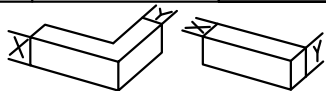
ACCESSORIES : PHOTOS & DRAWINGS

Image	Part Code	Pack	Unit	Application	Colour	
 <p>25</p>	ACET390 25mm Polyamide Screw	1000	pack	ACET259	MF	
					SA	
					KL	
					HP	
					SSC	
					SMC	
					W	
					Z	✓
					PC	
	ACET451 Cast Cill End Caps	1	pair	ETC451	MF	✓
					SA	
					KL	✓
					HP	✓
					SSC	
					SMC	
					W	✓
					Z	✓
					PC	
	ACET452 Cast Cill End Caps	1	pair	ETC452	MF	✓
					SA	
					KL	✓
					HP	✓
					SSC	
					SMC	
					W	✓
					Z	✓
					PC	
	ACET457 Cast Cill End Caps	1	pair	ETC457	MF	✓
					SA	
					KL	✓
					HP	✓
					SSC	
					SMC	
					W	✓
					Z	✓
					PC	
	ACET458 Cast Cill End Caps	1	pair	ETC458	MF	
					SA	
					KL	✓
					HP	✓
					SSC	
					SMC	
					W	✓
					Z	✓
					PC	
 <p>T-BARS ACVG65=2.5mm ACVG66=3.0mm ACVL150=4.0mm</p>  <p>Screw (Grub)</p>	MF = Mill Finish SA = Silver Anodised KL = Basic Colour HP = Special Colour SSC = Smooth Satin Chrome SMC = Smokey Chrome PC = Polished Chrome	W = White Z = Black	 			

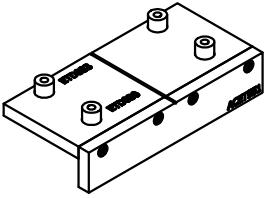
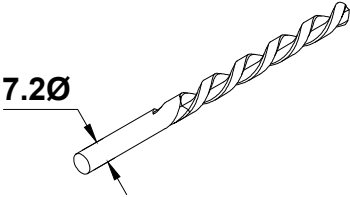

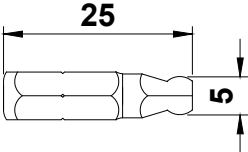



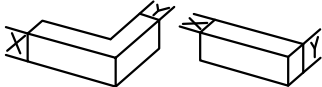
ACCESSORIES : PHOTOS & DRAWINGS

Image	Part Code	Pack	Unit	Application	Colour
	ACET479 Cast Cill End Caps	1	pair	ETC479	MF <input checked="" type="checkbox"/>
					SA <input type="checkbox"/>
					KL <input checked="" type="checkbox"/>
					HP <input checked="" type="checkbox"/>
					SSC <input type="checkbox"/>
					SMC <input type="checkbox"/>
					W <input checked="" type="checkbox"/>
					Z <input checked="" type="checkbox"/>
					PC <input type="checkbox"/>
					PC <input type="checkbox"/>
	ACET480 PAS 24 Lever / Lever Handle	1	pair	ACET282 ACET283 ETD024N ETD025N	MF <input type="checkbox"/>
					SA <input type="checkbox"/>
					KL <input checked="" type="checkbox"/>
					HP <input type="checkbox"/>
					SSC <input type="checkbox"/>
					SMC <input type="checkbox"/>
					W <input checked="" type="checkbox"/>
					Z <input checked="" type="checkbox"/>
					PC <input checked="" type="checkbox"/>
					PC <input checked="" type="checkbox"/>
	ACET484 Standard Lever / Lever Handle	1	pair	ACET282 ACET283 ETD024N ETD025N	MF <input type="checkbox"/>
					SA <input type="checkbox"/>
					KL <input checked="" type="checkbox"/>
					HP <input type="checkbox"/>
					SSC <input type="checkbox"/>
					SMC <input type="checkbox"/>
					W <input checked="" type="checkbox"/>
					Z <input checked="" type="checkbox"/>
					PC <input checked="" type="checkbox"/>
					PC <input checked="" type="checkbox"/>
	ACET486 Swept Lever / Lever Handle	1	pair	ACET282 ACET283 ETD024N ETD025N	MF <input type="checkbox"/>
					SA <input type="checkbox"/>
					KL <input checked="" type="checkbox"/>
					HP <input type="checkbox"/>
					SSC <input type="checkbox"/>
					SMC <input type="checkbox"/>
					W <input checked="" type="checkbox"/>
					Z <input checked="" type="checkbox"/>
					PC <input checked="" type="checkbox"/>
					PC <input checked="" type="checkbox"/>
	ACET487 Oval Lever / Lever Handle	1	pair	ACET282 ACET283 ETD024N ETD025N	MF <input type="checkbox"/>
					SA <input type="checkbox"/>
					KL <input checked="" type="checkbox"/>
					HP <input type="checkbox"/>
					SSC <input type="checkbox"/>
					SMC <input type="checkbox"/>
					W <input checked="" type="checkbox"/>
					Z <input checked="" type="checkbox"/>
					PC <input checked="" type="checkbox"/>
					PC <input checked="" type="checkbox"/>
 <small>T-BARS ACVG65=2.5mm ACVG66=3.0mm ACVL150=4.0mm</small>	MF = Mill Finish SA = Silver Anodised KL = Basic Colour HP = Special Colour SSC = Smooth Satin Chrome SMC = Smokey Chrome PC = Polished Chrome	W = White Z = Black			

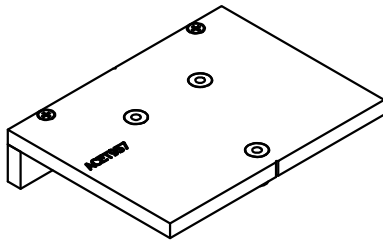
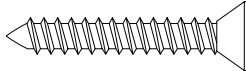
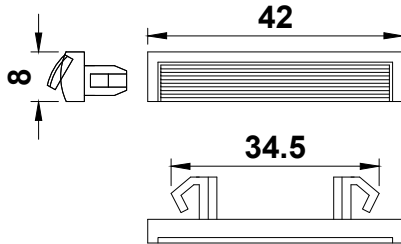
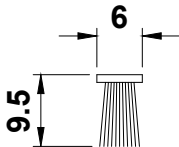



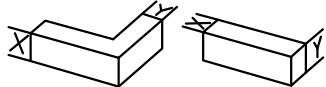
ACCESSORIES : PHOTOS & DRAWINGS

Image	Part Code	Pack	Unit	Application	Colour
	ACET488 Round Lever / Lever Handle	1	pair	ACET282 ACET283 ETD024N ETD025N	MF
					SA
					KL
					HP
					SSC
					SMC
					W
					Z
					PC
	ACET835 External Captive Bead Gasket - Low Line Alternative to ACET035	200	mtr		MF
					SA
					KL
					HP
					SSC
					SMC
					W
					Z
					PC
	ACET913 Crimping Punches	1	pair	ETC046	MF
					SA
					KL
					HP
					SSC
					SMC
					W
					Z
					PC
	ACET939 Punch Tool	1	each		MF
					SA
					KL
					HP
					SSC
					SMC
					W
					Z
					PC
	ACET950 Drill Jig for ACET250	1	each	ACET250 ETD012 ETD015 ETD017 ETD024N ETD025N	MF
					SA
					KL
					HP
					SSC
					SMC
					W
					Z
					PC
 T-BARS ACVG65=2.5mm ACVG66=3.0mm ACVL150=4.0mm	 Screw (Grub)	MF = Mill Finish SA = Silver Anodised KL = Basic Colour HP = Special Colour SSC = Smooth Satin Chrome SMC = Smokey Chrome PC = Polished Chrome	W = White Z = Black		




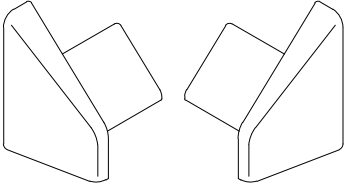
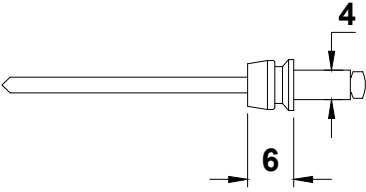

ACCESSORIES : PHOTOS & DRAWINGS

Image	Part Code	Pack	Unit	Application	Colour
	ACET951 Drill Jig for ETD030 & ETD033	1	each	ETD030 ETD033	MF SA KL HP SSC SMC W Z PC
	ACET952 Ø7.2mm Drill Bit	1	each	ACET250	MF SA KL HP SSC SMC W Z PC
	ACET953 9mm Spanner with 5mm Hex	1	each	ACET250	MF SA KL HP SSC SMC W Z PC
	ACET954 5mm Ball Ended Bit	1	each	ACET250	MF SA KL HP SSC SMC W Z PC
	ACET955 Angle Driver	1	each	ACET250	MF SA KL HP SSC SMC W Z PC
 <p>T-BARS ACVG65=2.5mm ACVG66=3.0mm ACVL150=4.0mm</p>  <p>Screw (Grub)</p>	<p>MF = Mill Finish SA = Silver Anodised KL = Basic Colour HP = Special Colour SSC = Smooth Satin Chrome SMC = Smokey Chrome PC = Polished Chrome</p>	<p>W = White Z = Black</p>			

ACCESSORIES : PHOTOS & DRAWINGS

Image	Part Code	Pack	Unit	Application	Colour	
	ACET957 Drill Jig for ETD034	1	each	ETD034	MF	
					SA	
					KL	
					HP	
					SSC	
					SMC	
					W	
					Z	
					PC	
	ACIM062 No. 10 x 2" CSK S/S Self Tapper	100	pack		MF	
					SA	
					KL	
					HP	
					SSC	
					SMC	
					W	
					Z	
					PC	
	ACGSL045 Drainage Cap	100	pack		MF	
					SA	
					KL	
					HP	
					SSC	
					SMC	
					W	
					Z	
					PC	
	ACSH038N Brush Pile	225	mtr	ETD197	MF	
					SA	
					KL	
					HP	
					SSC	
					SMC	
					W	
					Z	
					PC	
	ACSH471 Letter Plate Set Outside dimensions-265mm x 70mm with brush fitting Please note: ACSH471 does not comply with BS EN 13724:2002	1	each	ETD030 ETD033	MF	
					SA	✓
					KL	
					HP	
					SSC	
					SMC	
					W	✓
					Z	✓
					PC	
 T-BARS ACVG65=2.5mm ACVG66=3.0mm ACVL150=4.0mm	 Screw (Grub)	MF = Mill Finish SA = Silver Anodised KL = Basic Colour HP = Special Colour SSC = Smooth Satin Chrome SMC = Smokey Chrome PC = Polished Chrome	W = White Z = Black			

ACCESSORIES : PHOTOS & DRAWINGS

Image	Part Code	Pack	Unit	Application	Colour
	ACUN3513 No.8 x 45mm CSK SS Pozi Self-Tapper	100	pack		MF
					SA
					KL
					HP
					SSC
					SMC
					W
					Z
					PC
					
SA					
KL					
HP					
SSC					
SMC					
W					
Z					
PC					
	ACVG34 Gasket	100	mtr	ETC161 ETC164	
					SA
					KL
					HP
					SSC
					SMC
					W
					Z
					PC
					
SA					
KL					
HP					
SSC					
SMC					
W					
Z					
PC					
	ACVL061 Rivet to secure VL72	100	pack	VL72	
					SA
					KL
					HP
					SSC
					SMC
					W
					Z
					PC
					 <small>T-BARS ACVG65=2.5mm ACVG66=3.0mm ACVL150=4.0mm</small>

ACCESSORIES : PHOTOS & DRAWINGS


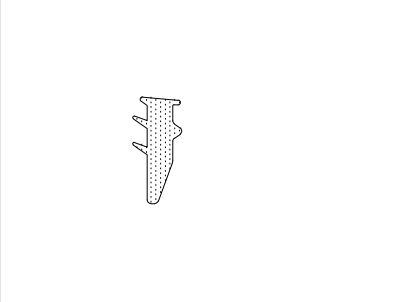
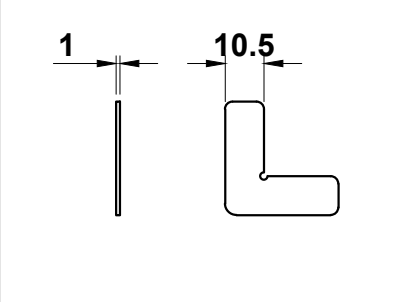
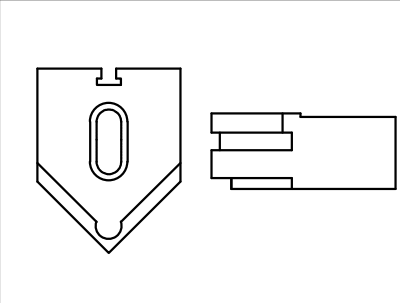
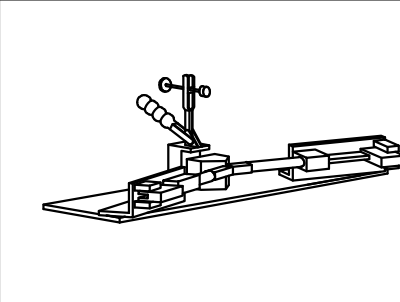

Image	Part Code	Pack	Unit	Application	Colour
	ACVL159 Super Glue	1	each		MF
					SA
					KL
					HP
					SSC
					SMC
					W
					Z
					PC
					
SA					
KL					
HP					
SSC					
SMC					
W					
Z					
PC					
	WCA106 Chevron	100	pack	ETD024N ETD025N	
					SA
					KL
					HP
					SSC
					SMC
					W
					Z
					PC
					
SA					
KL					
HP					
SSC					
SMC					
W					
Z					
PC					
	WUT024HSZA Manual Crimper Note: Vee blocks & punches are sold separately	1	each		
					SA
					KL
					HP
					SSC
					SMC
					W
					Z
					PC
					 <small>T-BARS ACVG65=2.5mm ACVG66=3.0mm ACVL150=4.0mm</small>





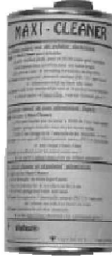


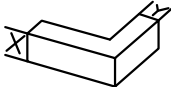
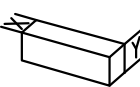
Image	Part Code	Pack	Unit	Application	Colour																		
	ACMX09700 Alu. Polish	1	each		<table border="1"> <tr><td>MF</td><td>✓</td></tr> <tr><td>SA</td><td></td></tr> <tr><td>KL</td><td></td></tr> <tr><td>HP</td><td></td></tr> <tr><td>SSC</td><td></td></tr> <tr><td>SMC</td><td></td></tr> <tr><td>W</td><td></td></tr> <tr><td>Z</td><td></td></tr> <tr><td>PC</td><td></td></tr> </table>	MF	✓	SA		KL		HP		SSC		SMC		W		Z		PC	
MF	✓																						
SA																							
KL																							
HP																							
SSC																							
SMC																							
W																							
Z																							
PC																							
	ACMX09761 Maxi Gloss	1	each		<table border="1"> <tr><td>MF</td><td></td></tr> <tr><td>SA</td><td></td></tr> <tr><td>KL</td><td></td></tr> <tr><td>HP</td><td></td></tr> <tr><td>SSC</td><td></td></tr> <tr><td>SMC</td><td></td></tr> <tr><td>W</td><td></td></tr> <tr><td>Z</td><td></td></tr> <tr><td>PC</td><td></td></tr> </table>	MF		SA		KL		HP		SSC		SMC		W		Z		PC	
MF																							
SA																							
KL																							
HP																							
SSC																							
SMC																							
W																							
Z																							
PC																							
	ACMX09762 Alu. Bright	1	each		<table border="1"> <tr><td>MF</td><td></td></tr> <tr><td>SA</td><td></td></tr> <tr><td>KL</td><td></td></tr> <tr><td>HP</td><td></td></tr> <tr><td>SSC</td><td></td></tr> <tr><td>SMC</td><td></td></tr> <tr><td>W</td><td></td></tr> <tr><td>Z</td><td></td></tr> <tr><td>PC</td><td></td></tr> </table>	MF		SA		KL		HP		SSC		SMC		W		Z		PC	
MF																							
SA																							
KL																							
HP																							
SSC																							
SMC																							
W																							
Z																							
PC																							
	ACMX09763 Teflon Spray	1	each		<table border="1"> <tr><td>MF</td><td></td></tr> <tr><td>SA</td><td></td></tr> <tr><td>KL</td><td></td></tr> <tr><td>HP</td><td></td></tr> <tr><td>SSC</td><td></td></tr> <tr><td>SMC</td><td></td></tr> <tr><td>W</td><td></td></tr> <tr><td>Z</td><td></td></tr> <tr><td>PC</td><td></td></tr> </table>	MF		SA		KL		HP		SSC		SMC		W		Z		PC	
MF																							
SA																							
KL																							
HP																							
SSC																							
SMC																							
W																							
Z																							
PC																							
	ACMX09764 Maxi Clean	1	each		<table border="1"> <tr><td>MF</td><td></td></tr> <tr><td>SA</td><td></td></tr> <tr><td>KL</td><td></td></tr> <tr><td>HP</td><td></td></tr> <tr><td>SSC</td><td></td></tr> <tr><td>SMC</td><td></td></tr> <tr><td>W</td><td></td></tr> <tr><td>Z</td><td></td></tr> <tr><td>PC</td><td></td></tr> </table>	MF		SA		KL		HP		SSC		SMC		W		Z		PC	
MF																							
SA																							
KL																							
HP																							
SSC																							
SMC																							
W																							
Z																							
PC																							
 <p>T-BARS ACVG85=2.5mm ACVG66=3.0mm ACVL150=4.0mm</p>  <p>Screw (Grub)</p>	<p>MF = Mill Finish SA = Silver Anodised KL = Basic Colour HP = Special Colour SSC = Smooth Satin Chrome SMC = Smokey Chrome PC = Polished Chrome</p>	<p>W = White Z = Black</p>	 																				

Image	Part Code	Pack	Unit	Application	Colour
	ACMX09765 Alu. Cleaner	1	each		MF SA KL HP SSC SMC W Z PC
	ACMX09770 Roll & Wrap 100mm	1	each		MF SA KL HP SSC SMC W Z PC
	ACMX09775 Grip Handwrap	1	each		MF SA KL HP SSC SMC W Z PC
	ACMX09801 Protective Tape 50mm	1	each		MF SA KL HP SSC SMC W Z PC
	ACMX09802 Protective Tape 70mm	1	each		MF SA KL HP SSC SMC W Z PC
 <p>T-BARS ACVG66=2.5mm ACVG66=3.0mm ACVL150=4.0mm</p>  <p>Screw (Grub)</p>	MF = Mill Finish SA = Silver Anodised KL = Basic Colour HP = Special Colour SSC = Smooth Satin Chrome SMC = Smokey Chrome PC = Polished Chrome	W = White Z = Black	 		









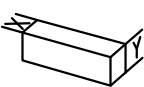



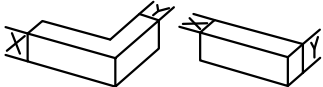
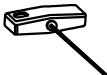
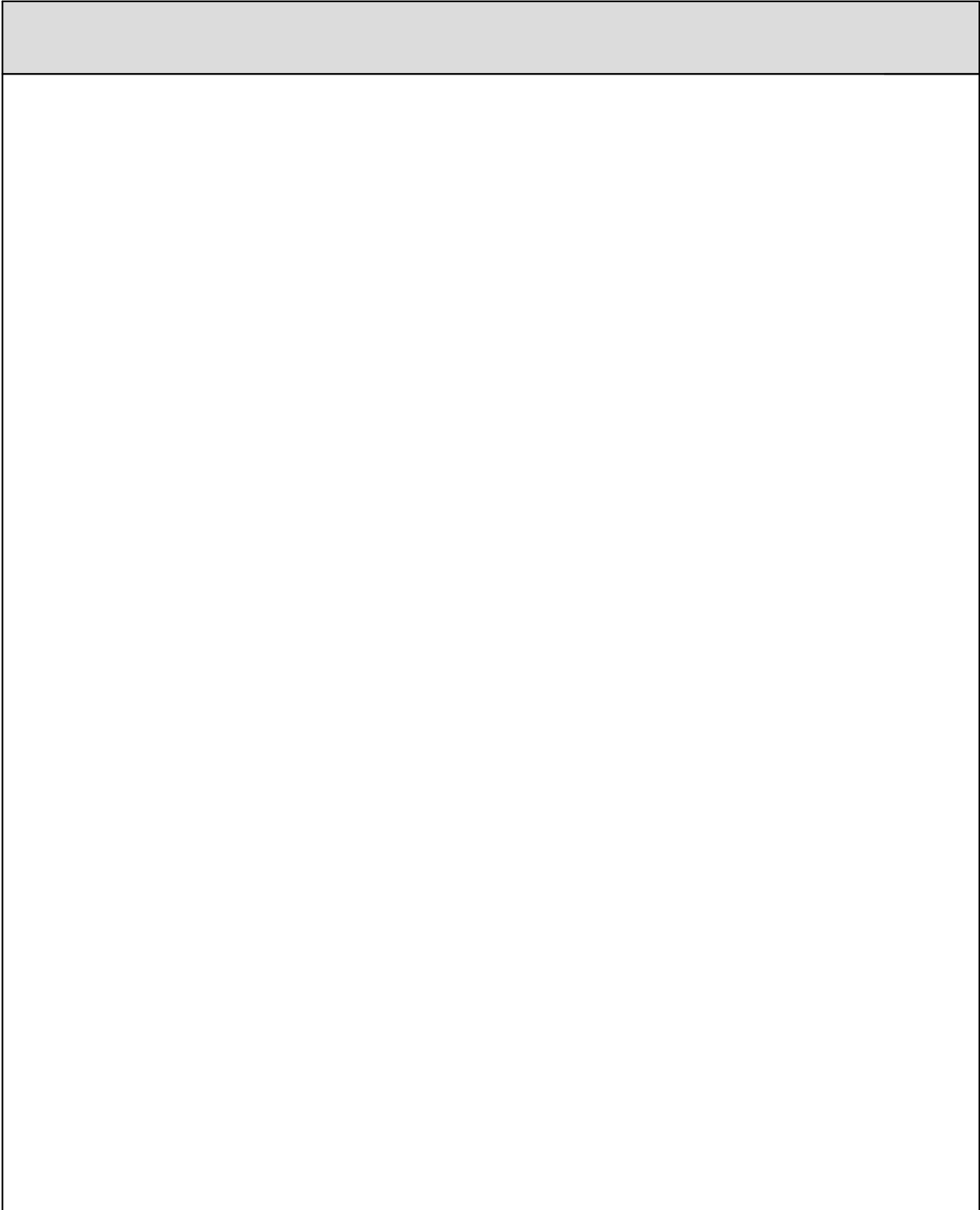
Image	Part Code	Pack	Unit	Application	Colour
	ACMX09803 Protective Tape 100mm	1	each		MF SA KL HP SSC SMC W Z PC
	ACMX09830 Rubber Sealant	1	each		MF SA KL HP SSC SMC W Z PC
	ACSIL04 Sealing Glue Order with suffix of KL colour (eg.ACSIL04KL005) or BL=Black/WP=White/ CL=Clear	1	each		MF SA KL ✓ HP SSC SMC W ✓ Z ✓ PC
	ACSIL08 Silicon Gun	1	each		MF SA KL HP SSC SMC W Z PC
	ACSIL013 Glue for Mitre	1	each		MF SA KL HP SSC SMC W Z PC
 <p>T-BARS ACVG65=2.5mm ACVG66=3.0mm ACVL150=4.0mm</p>  <p>Screw (Grub)</p>	<p>MF = Mill Finish SA = Silver Anodised KL = Basic Colour HP = Special Colour SSC = Smooth Satin Chrome SMC = Smokey Chrome PC = Polished Chrome</p> <p>W = White Z = Black</p>	 			

Image	Part Code	Pack	Unit	Application	Colour	
	ACSIL014 Anti-Corrosion Coating	1	each		MF	✓
					SA	
					KL	
					HP	
					SSC	
					SMC	
					W	
					Z	
					PC	
	ACUN3900 Gasket Roller	1	each		MF	
					SA	
					KL	
					HP	
					SSC	
					SMC	
					W	
					Z	
					PC	
					MF	
					SA	
					KL	
					HP	
					SSC	
					SMC	
					W	
					Z	
					PC	
					MF	
					SA	
					KL	
					HP	
					SSC	
					SMC	
					W	
					Z	
					PC	
 <p>T-BARS ACVG66=2.5mm ACVG66=3.0mm ACVL150=4.0mm</p> <p>Screw (Grub)</p>	MF = Mill Finish SA = Silver Anodised KL = Basic Colour HP = Special Colour SSC = Smooth Satin Chrome SMC = Smokey Chrome PC = Polished Chrome				W = White	
					Z = Black	
						



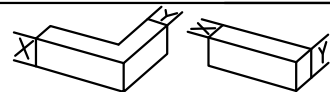
T-BARS
ACVG665=2.5mm
ACVG666=3.0mm
ACVL150=4.0mm



Screw (Grub)

MF = Mill Finish
SA = Silver Anodised
KL = Basic Colour
HP = Special Colour
SSC = Smooth Satin Chrome
SMC = Smokey Chrome
PC = Polished Chrome

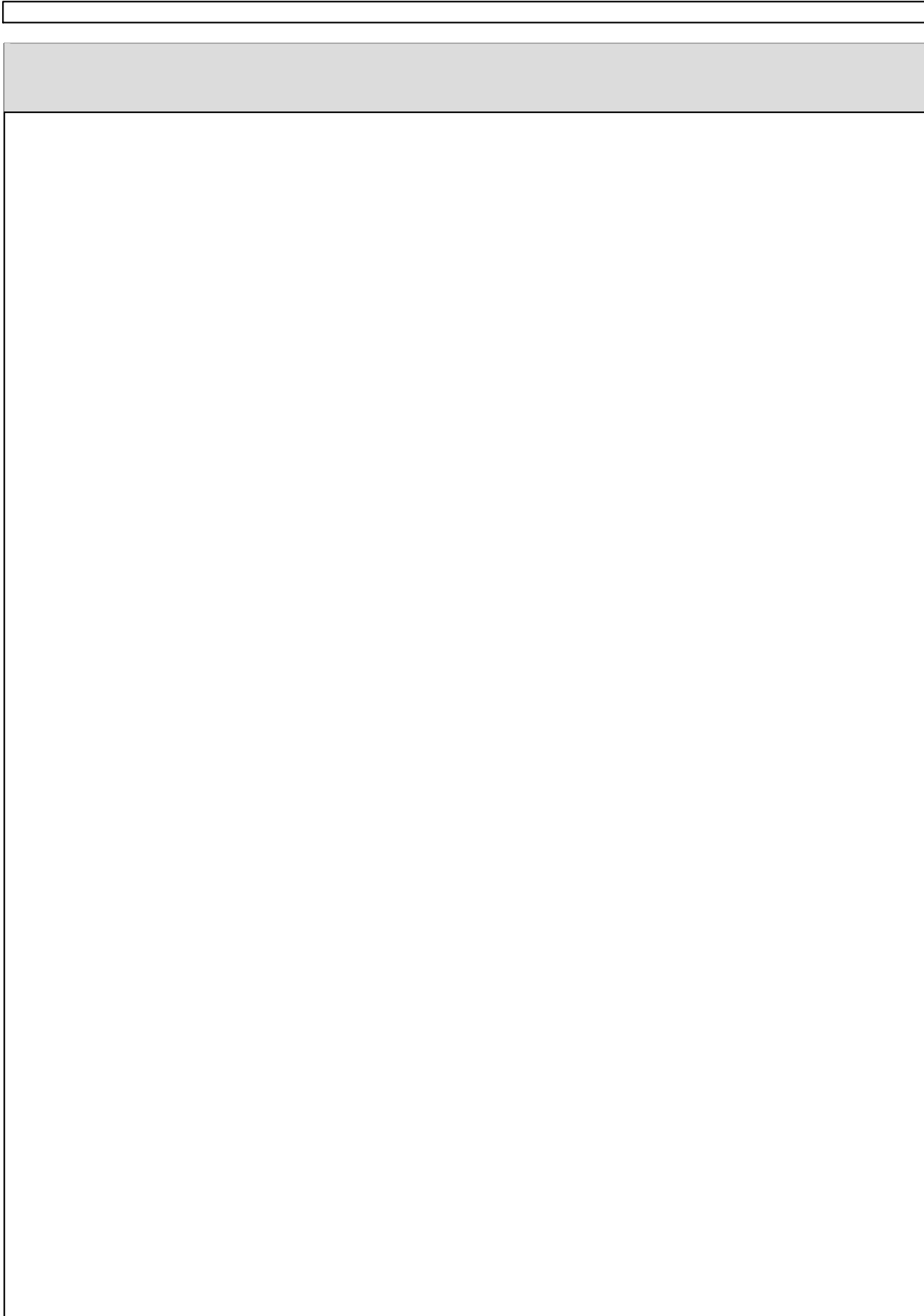
W = White
Z = Black



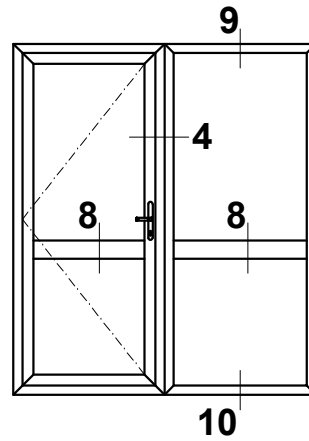
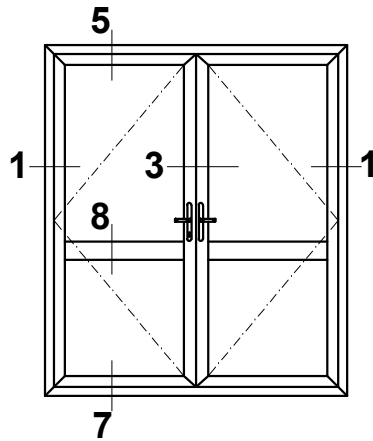
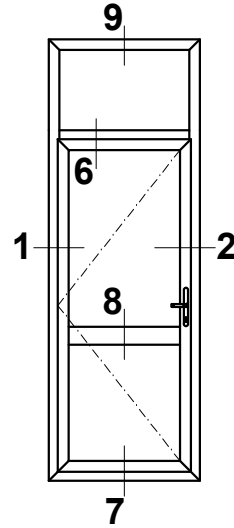
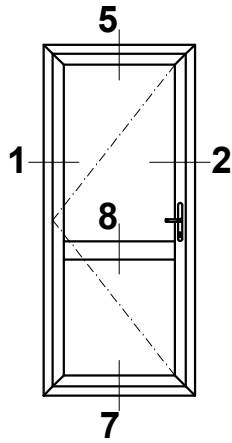
Section C

Sections

Scale Elevations

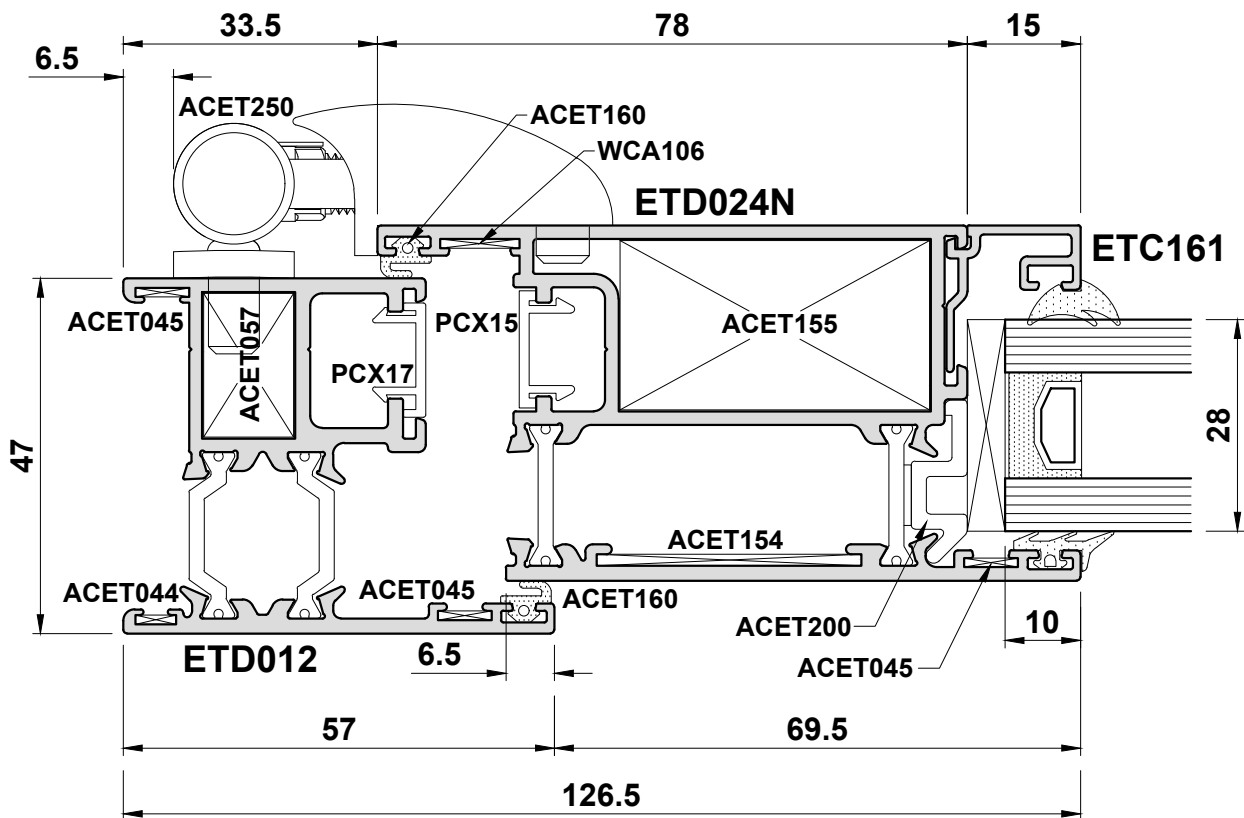
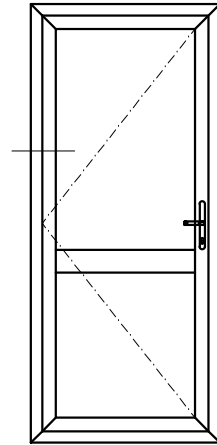


Open In



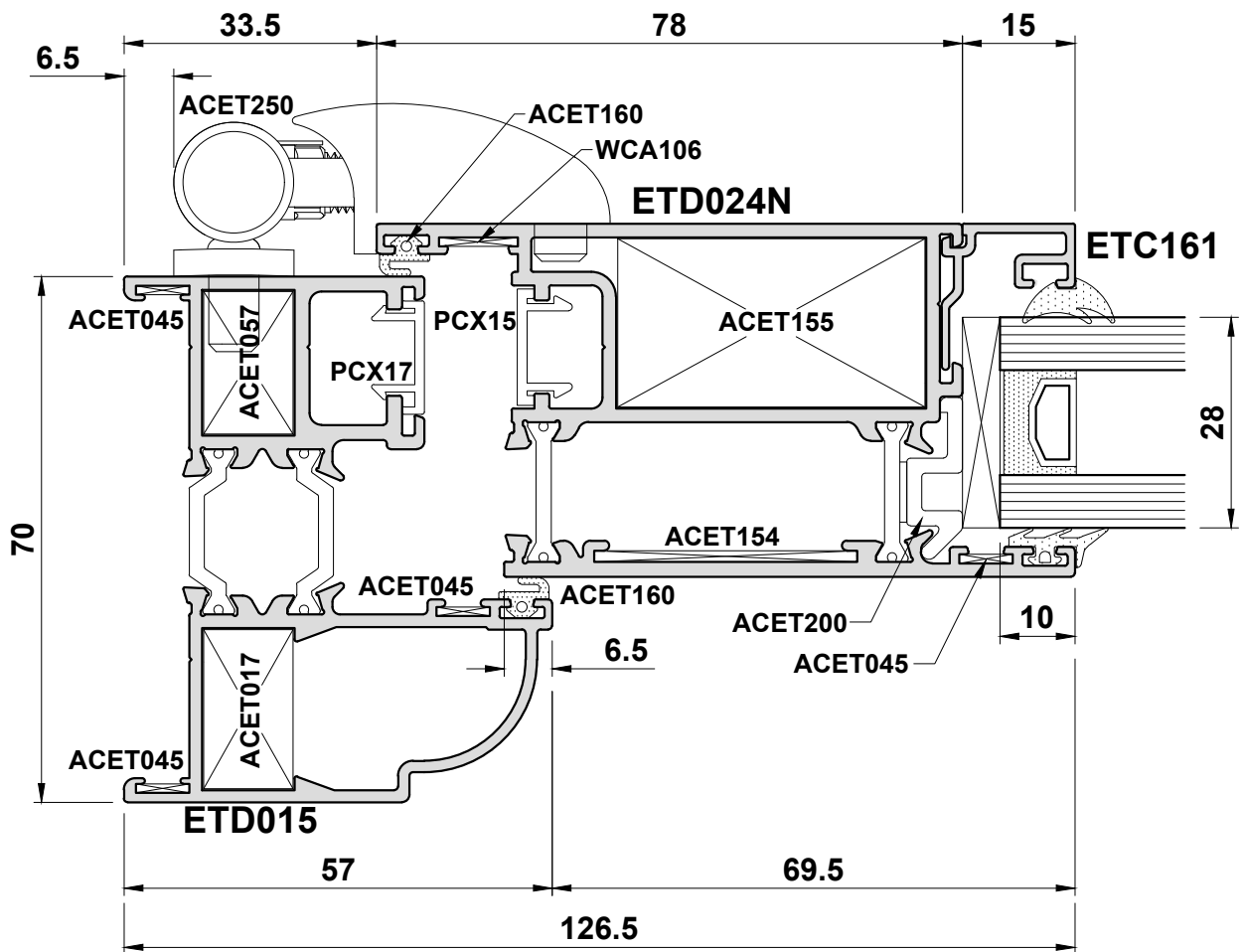
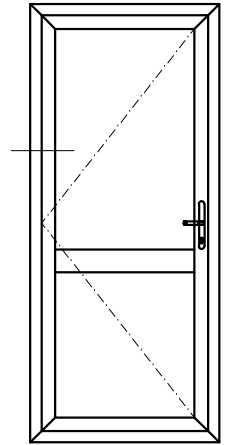
Do Not Scale From This Drawing

Detail 1a



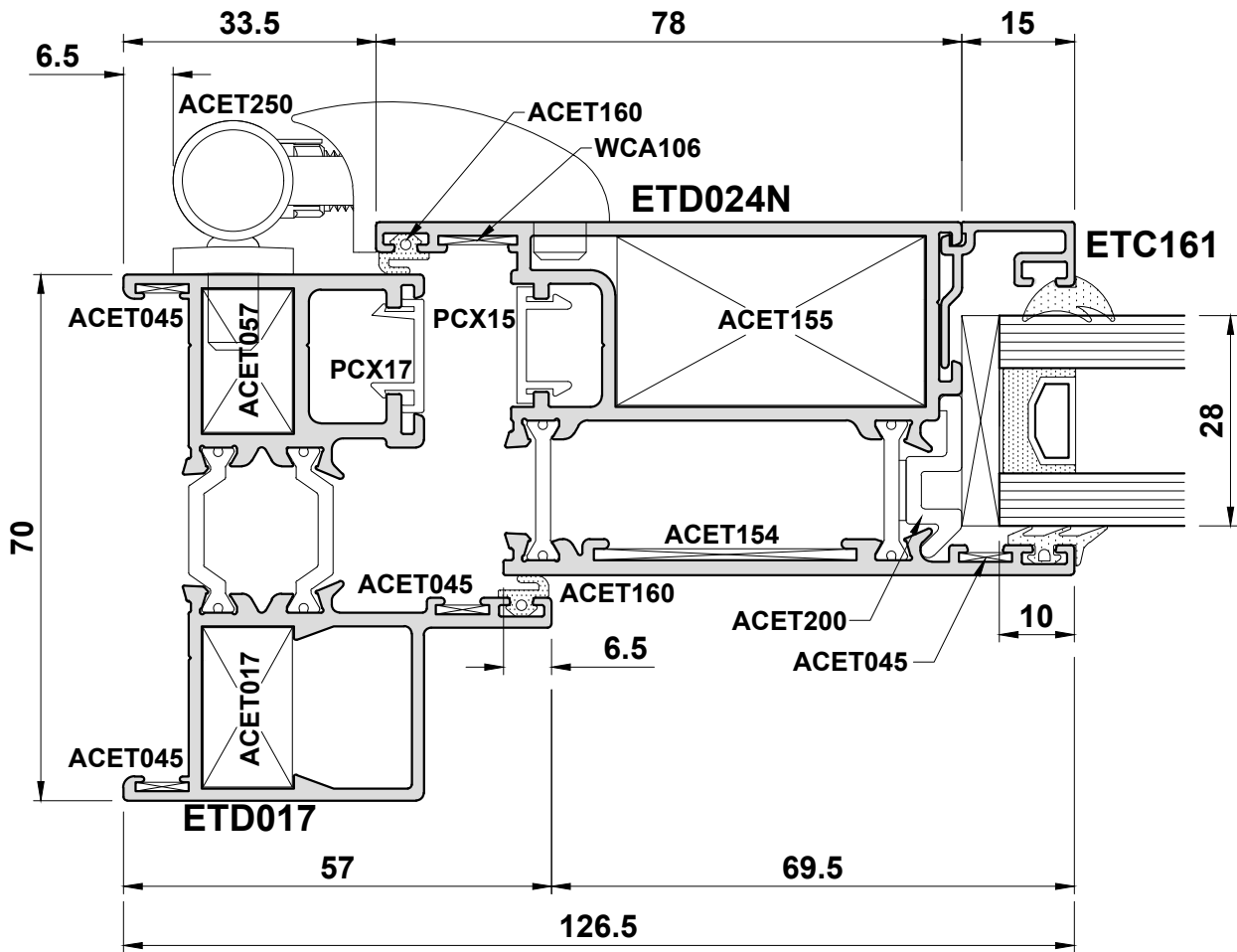
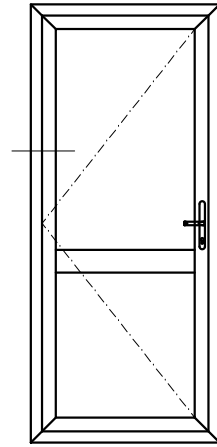
Do Not Scale From This Drawing

Detail 1b



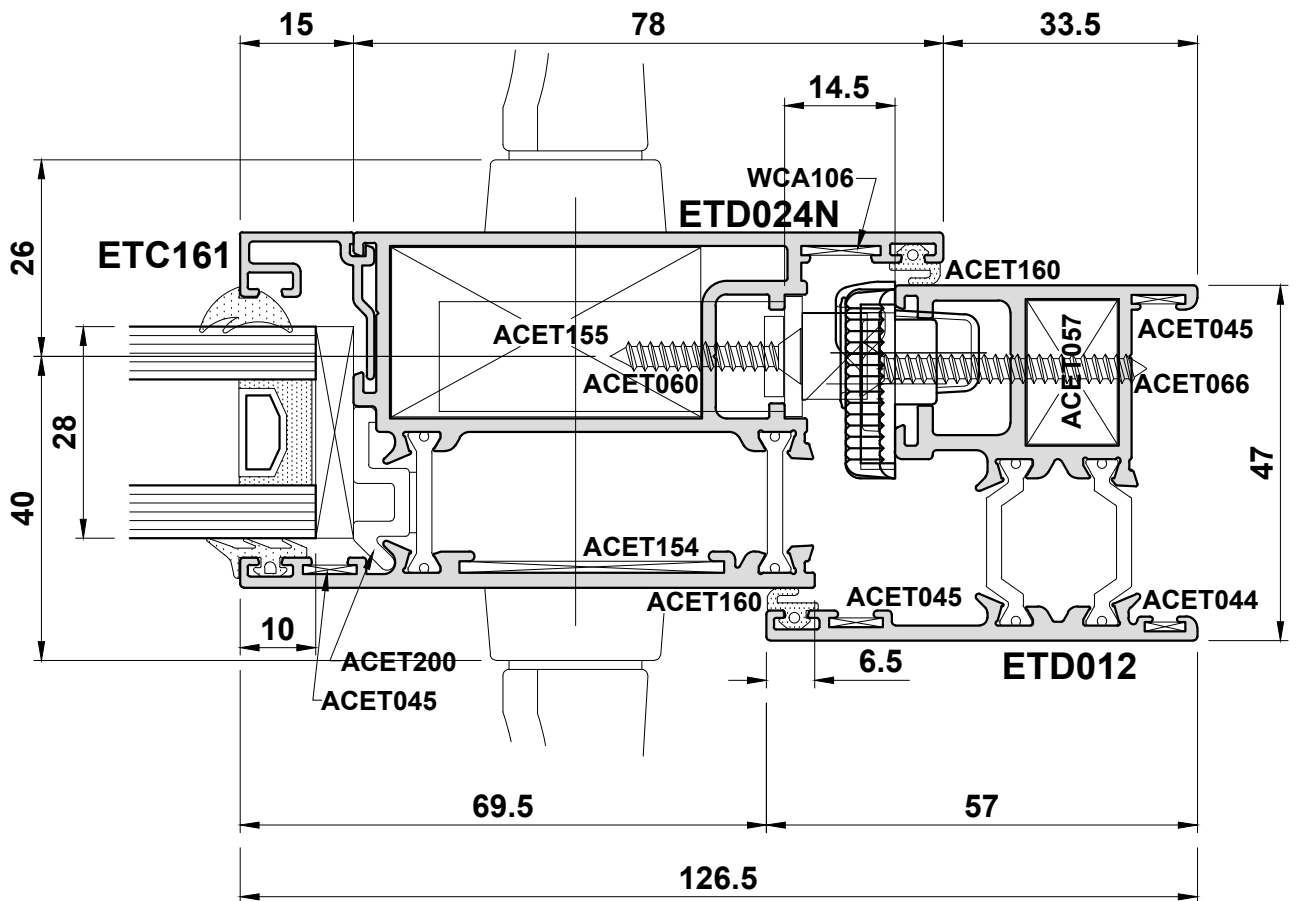
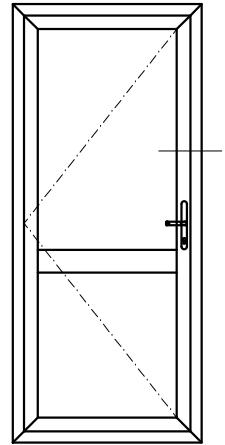
Do Not Scale From This Drawing

Detail 1c



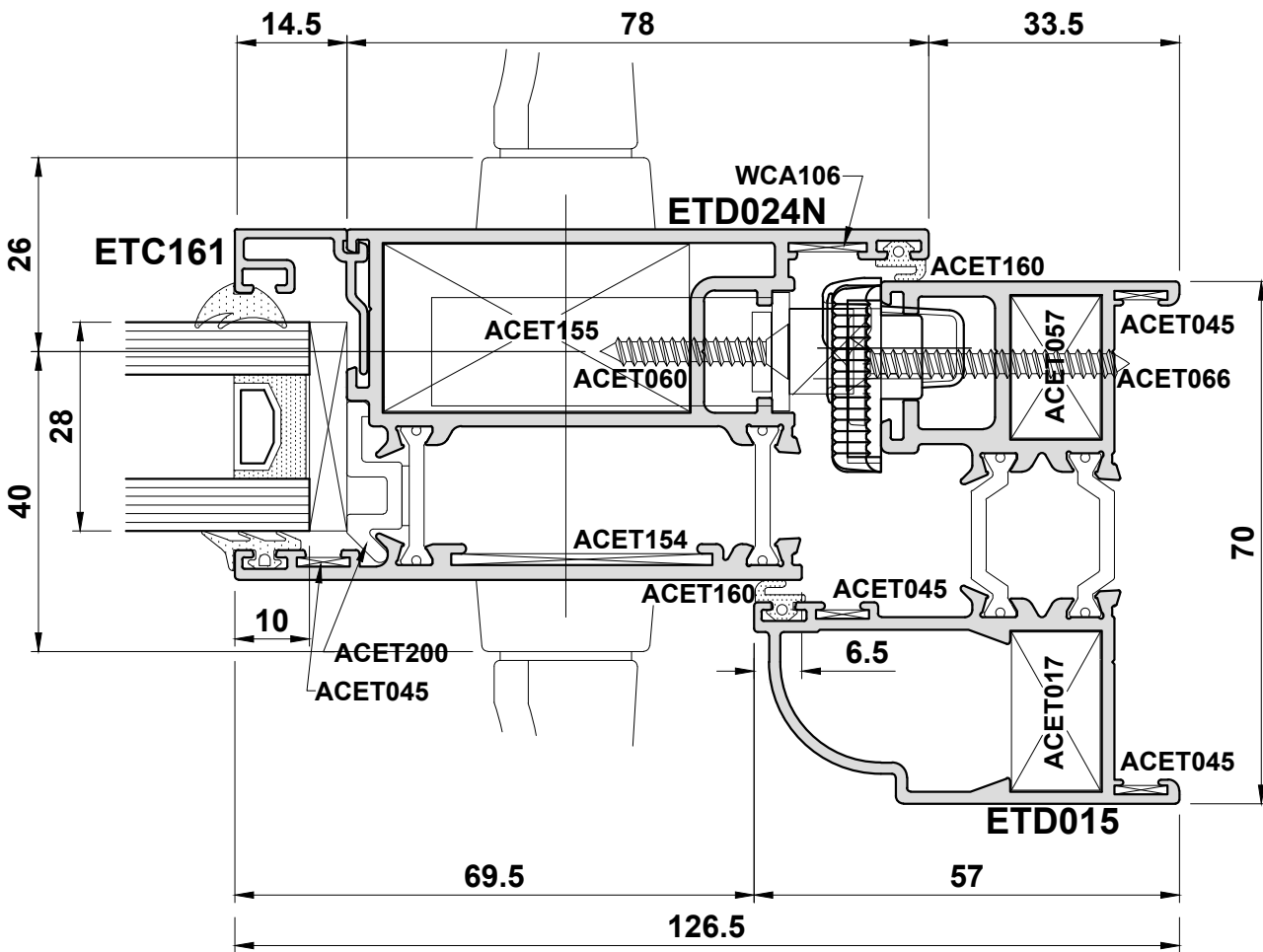
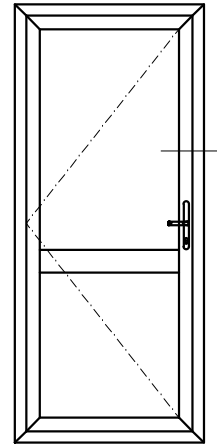
Do Not Scale From This Drawing

Detail 2a



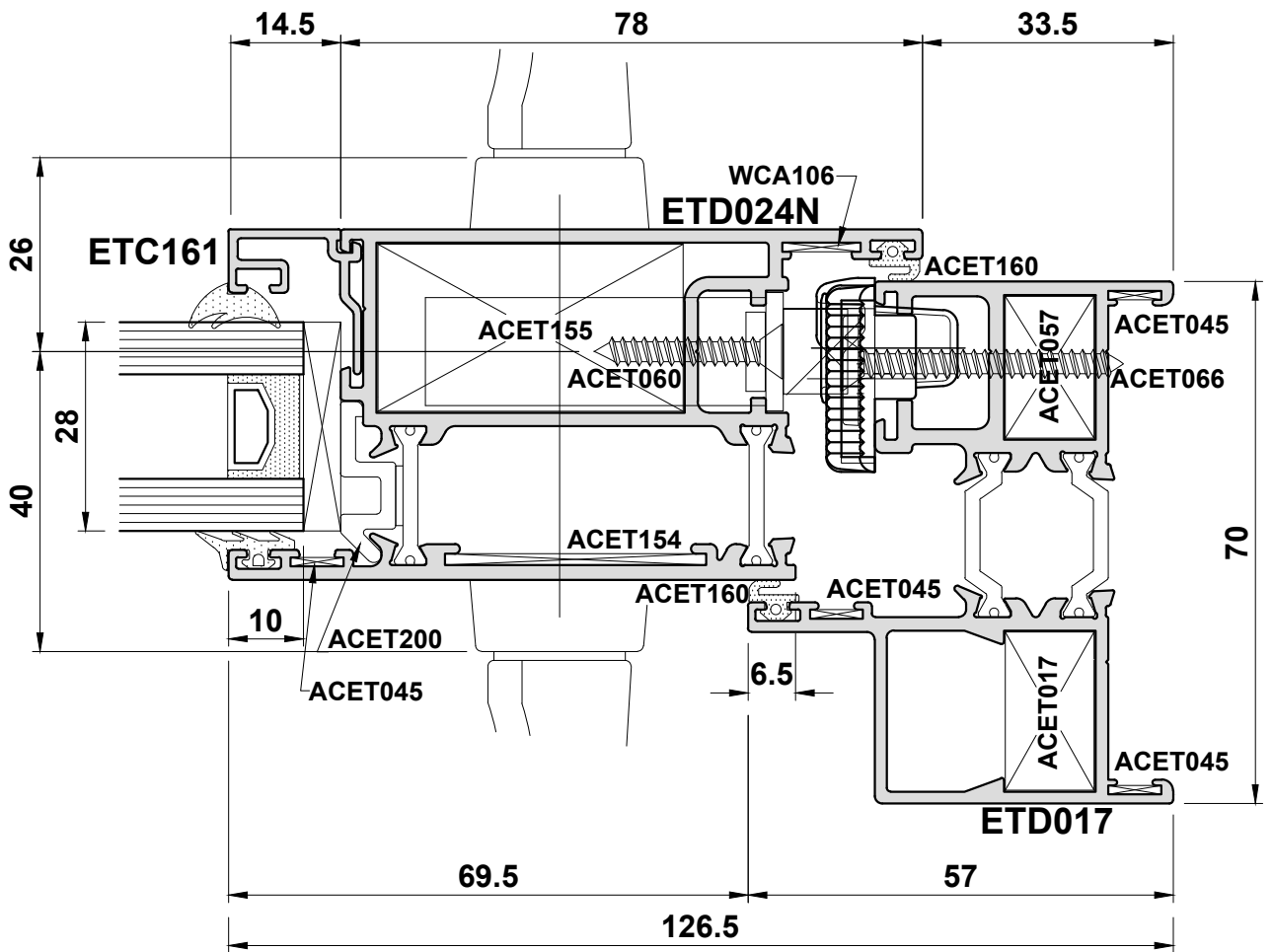
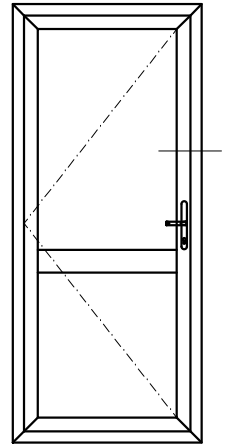
Do Not Scale From This Drawing

Detail 2b



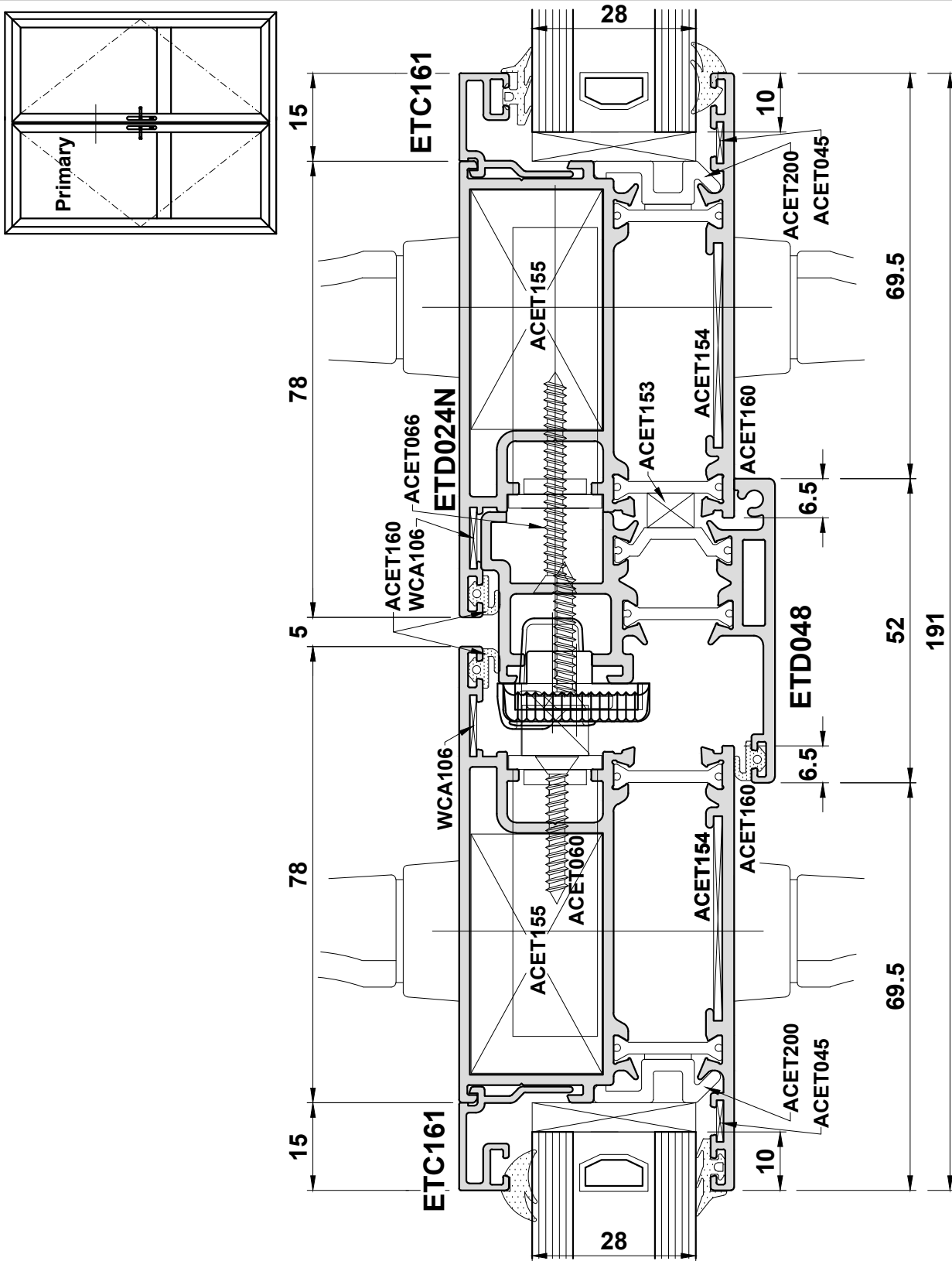
Do Not Scale From This Drawing

Detail 2c



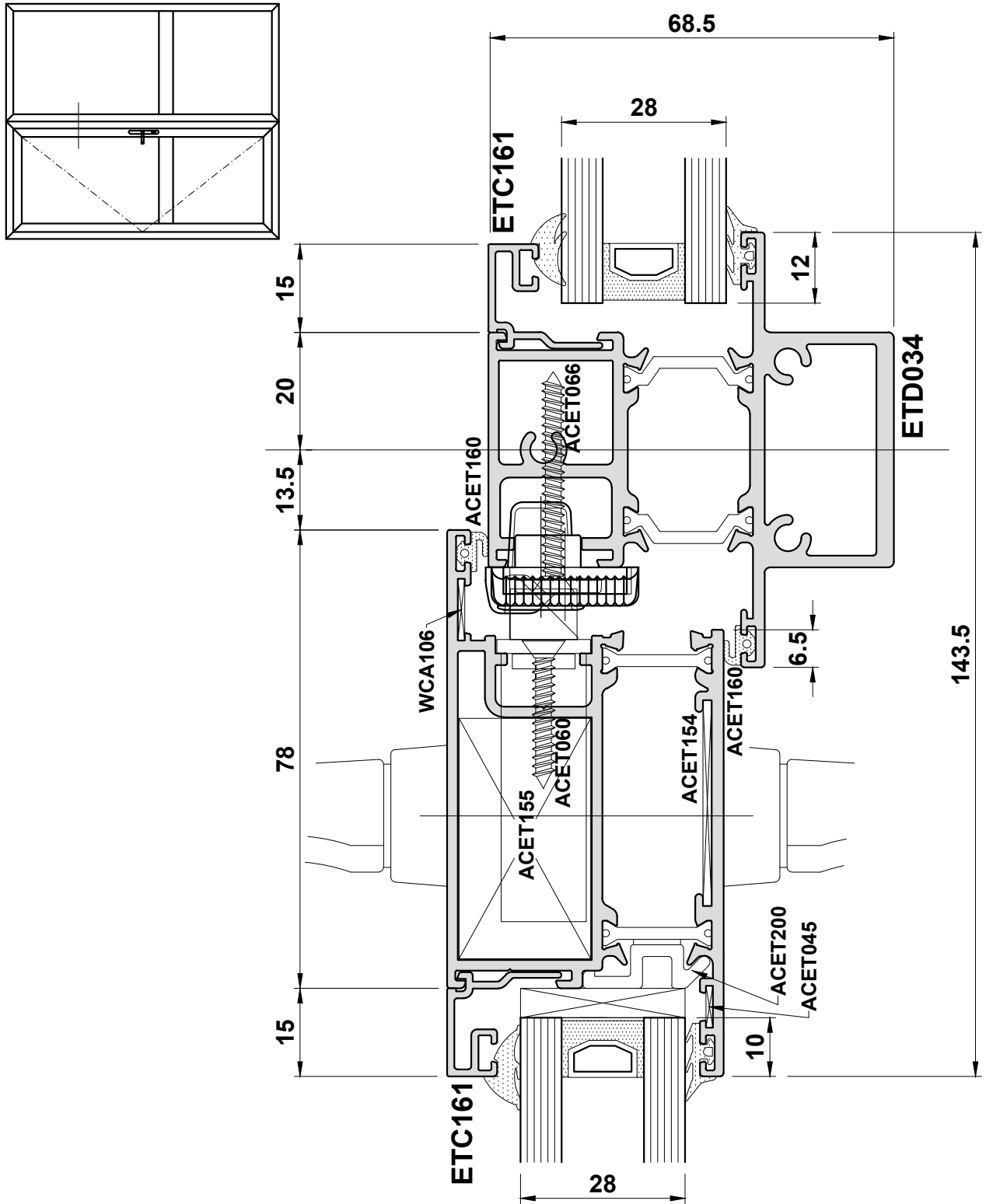
Do Not Scale From This Drawing

Detail 3



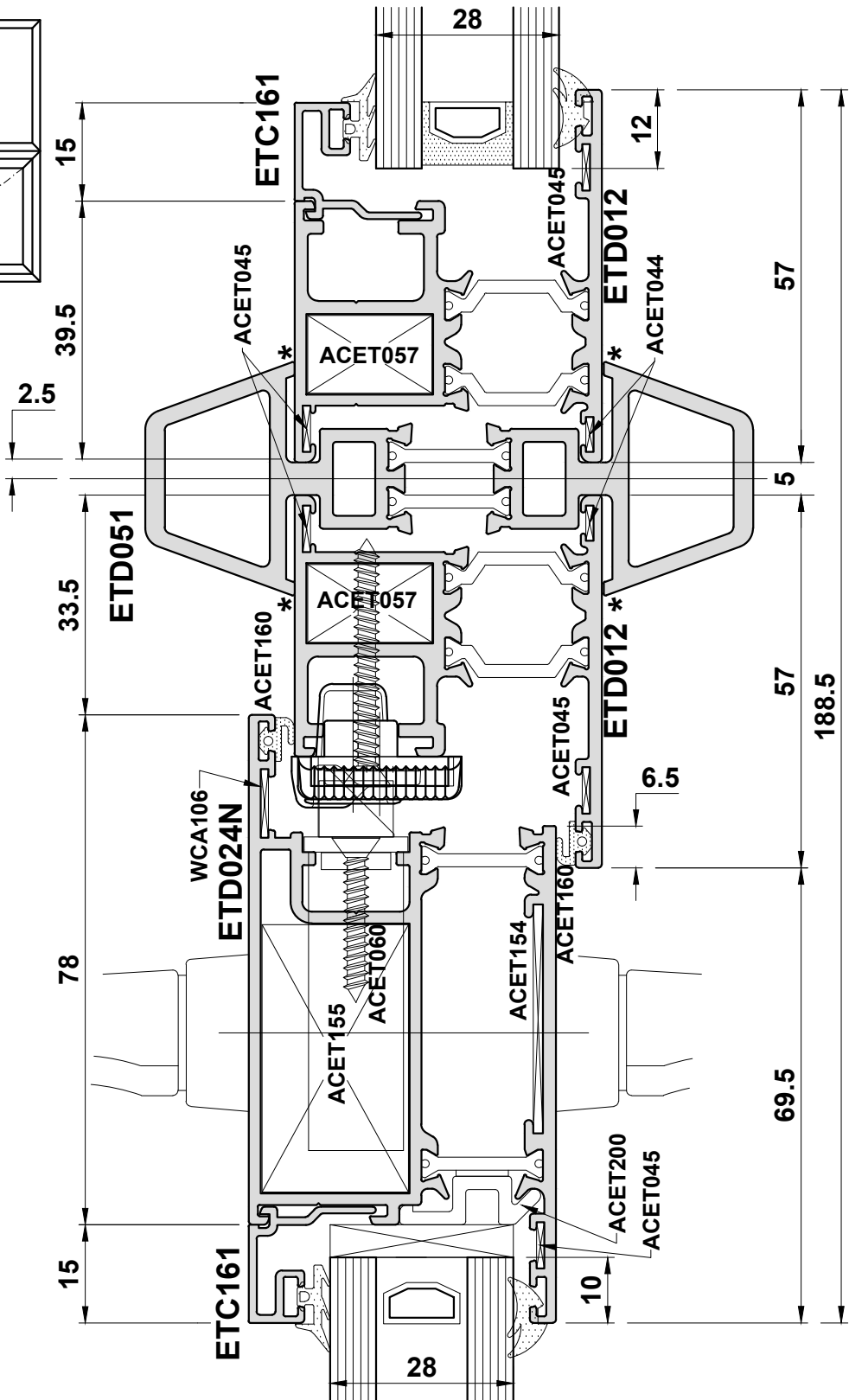
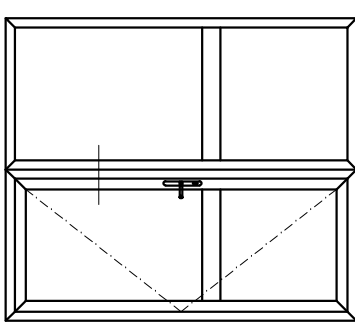
Do Not Scale From This Drawing

Detail 4a



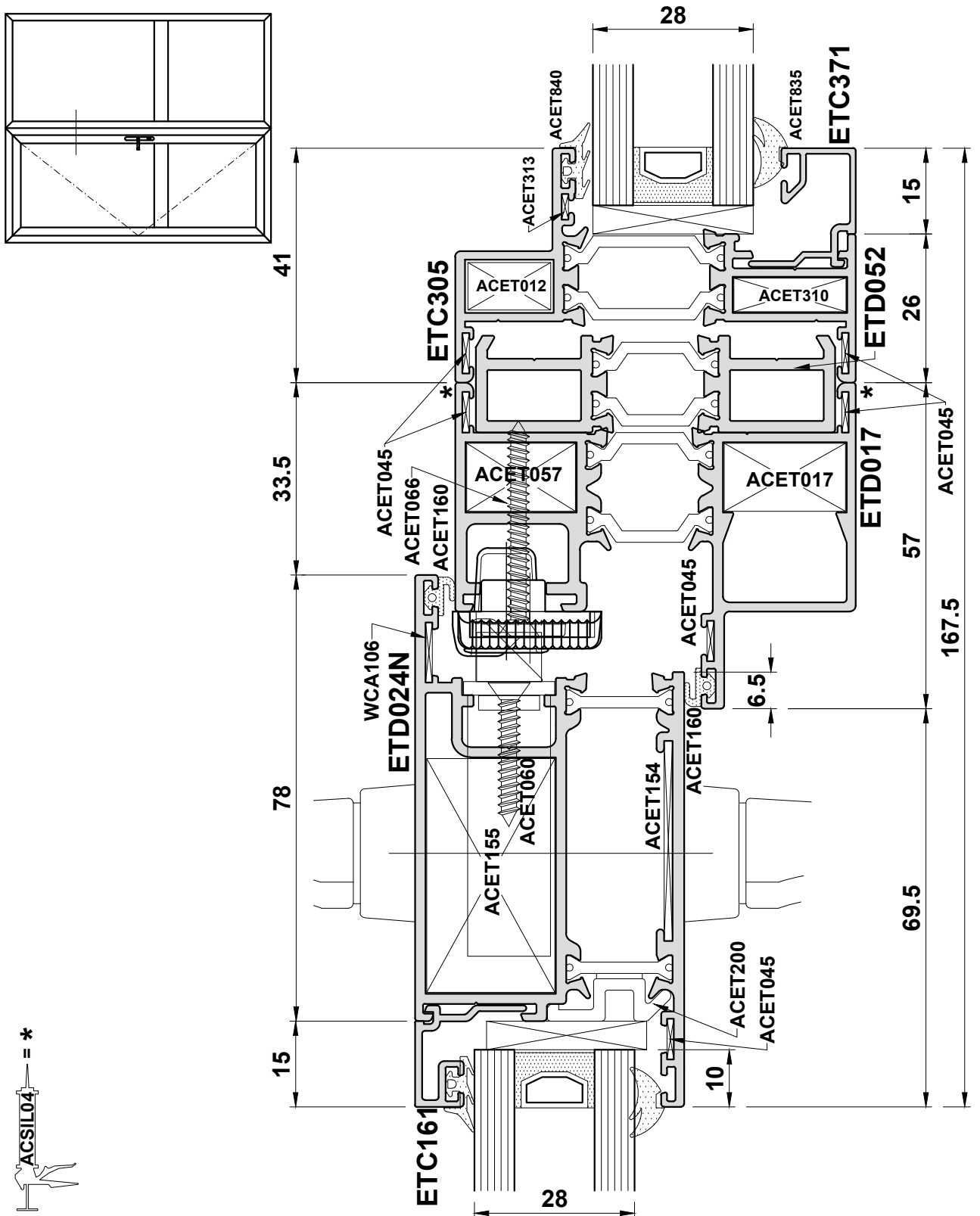
Do Not Scale From This Drawing

Detail 4b



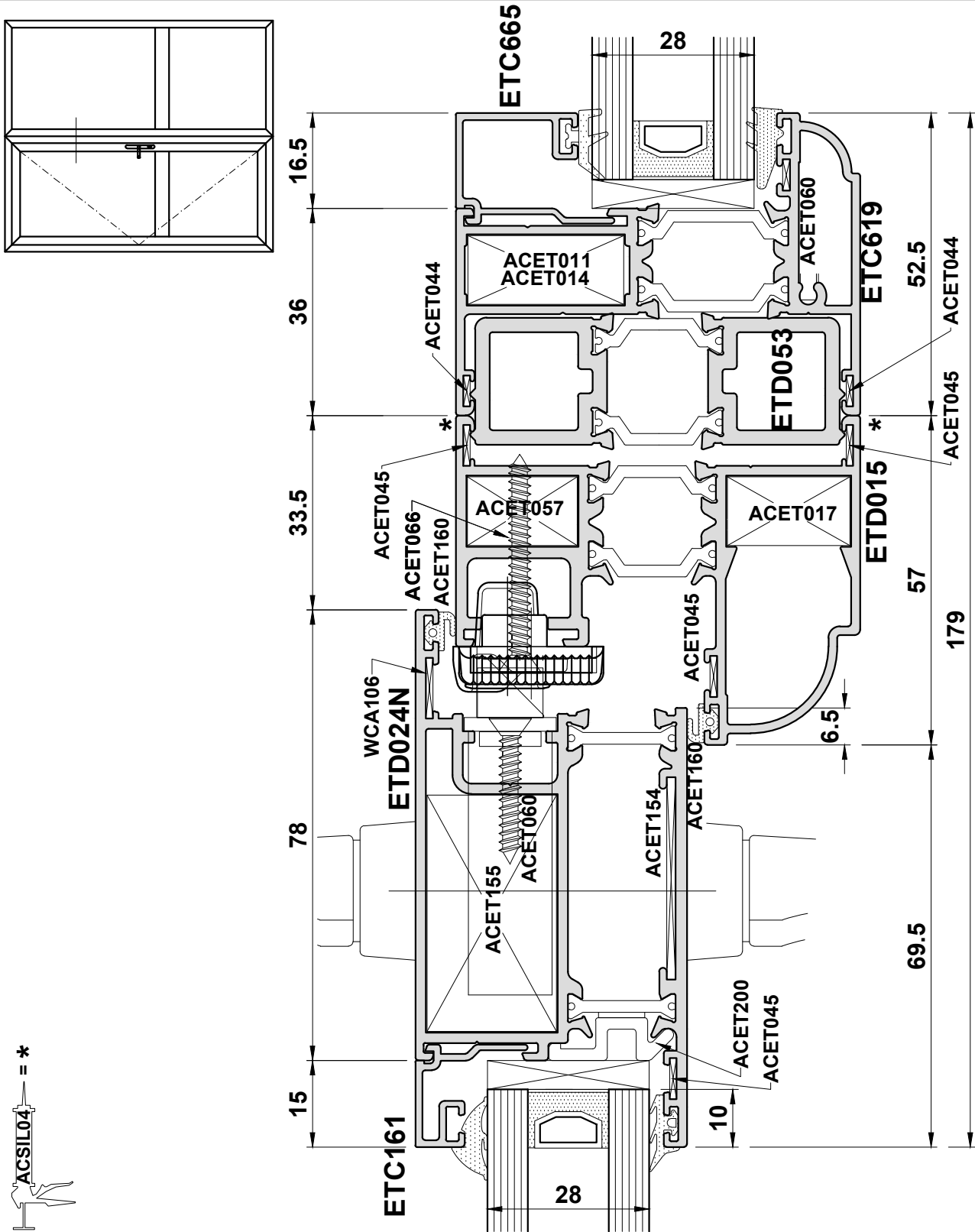
Do Not Scale From This Drawing

Detail 4c



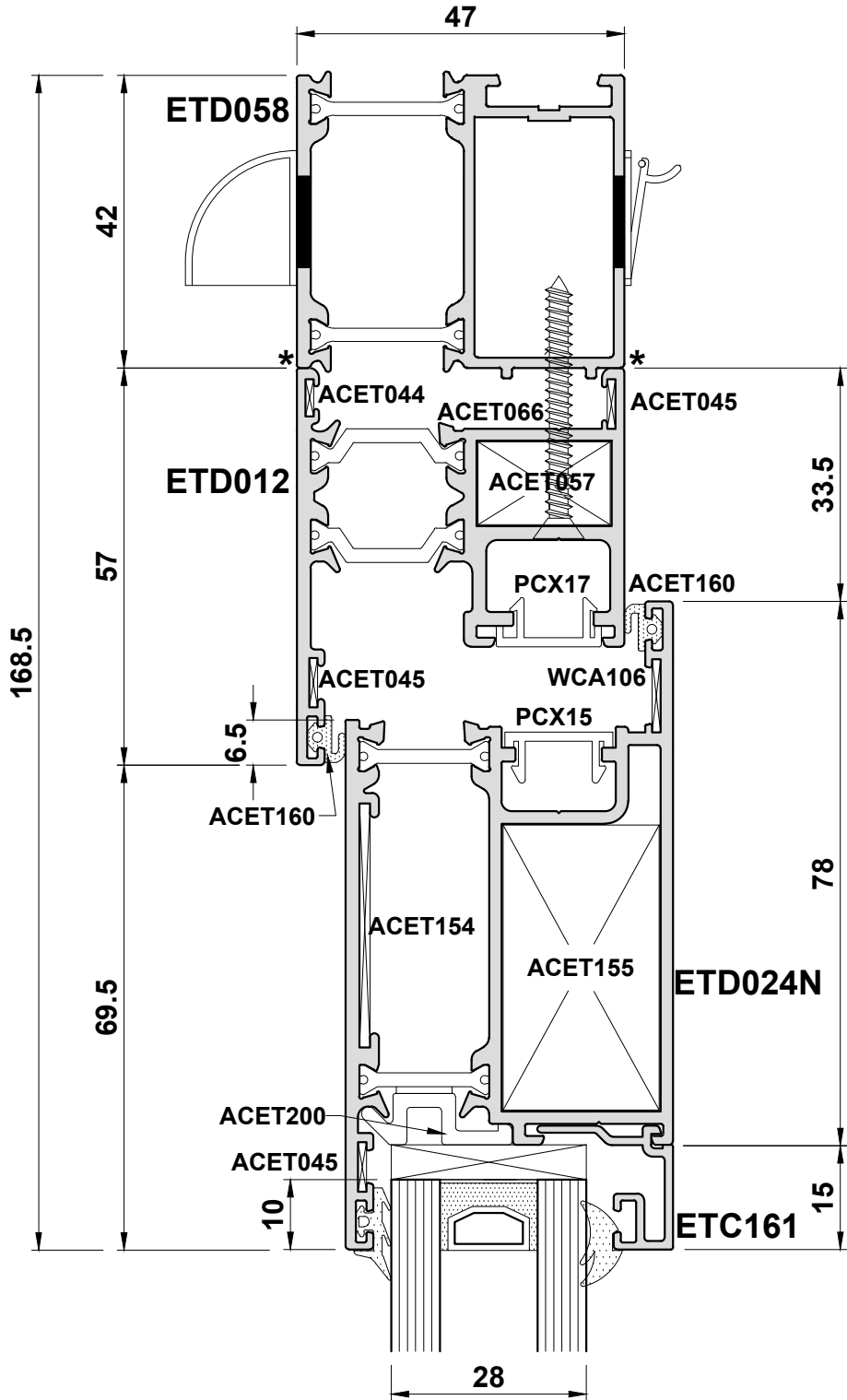
Do Not Scale From This Drawing

Detail 4d



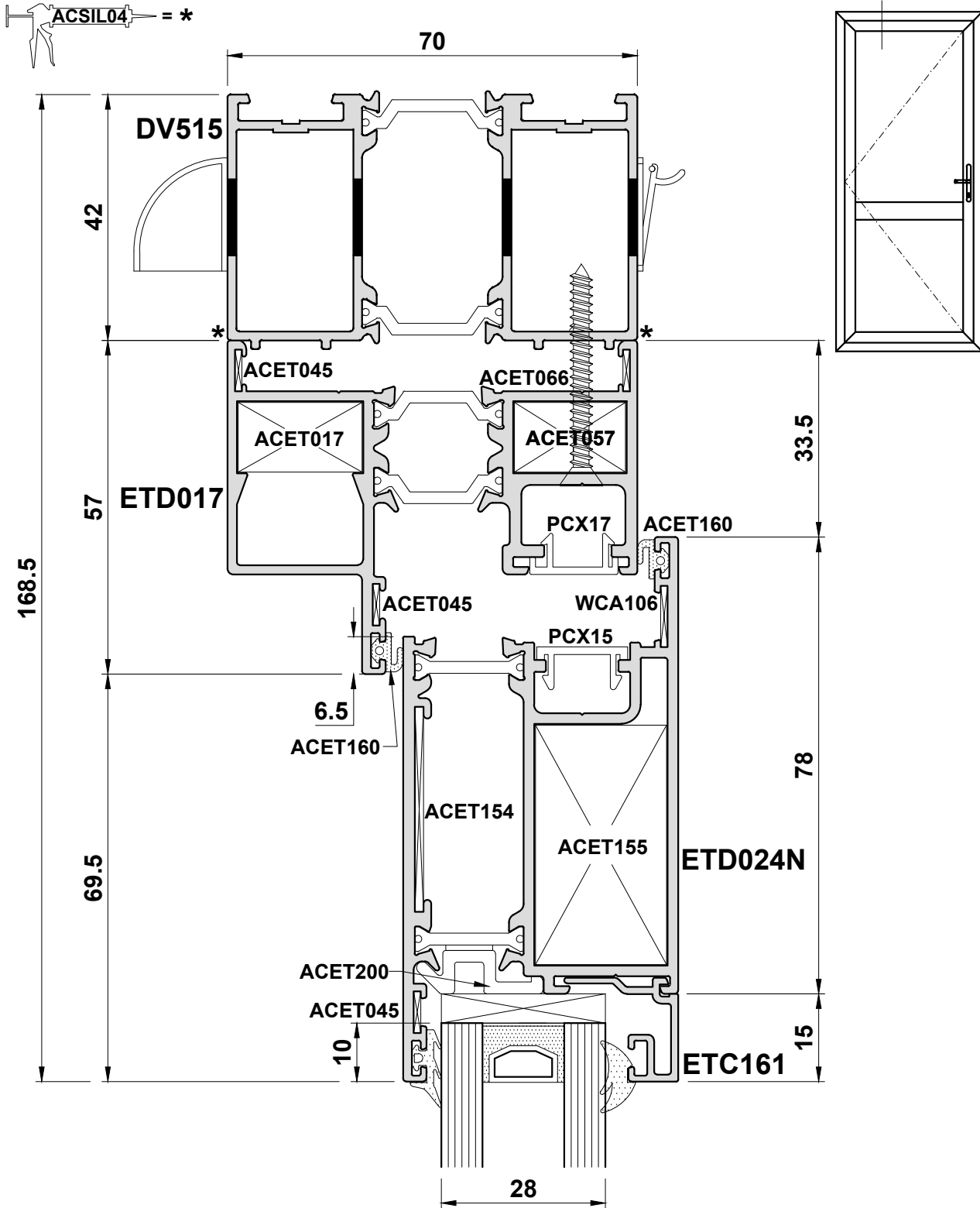
Do Not Scale From This Drawing

Detail 5a



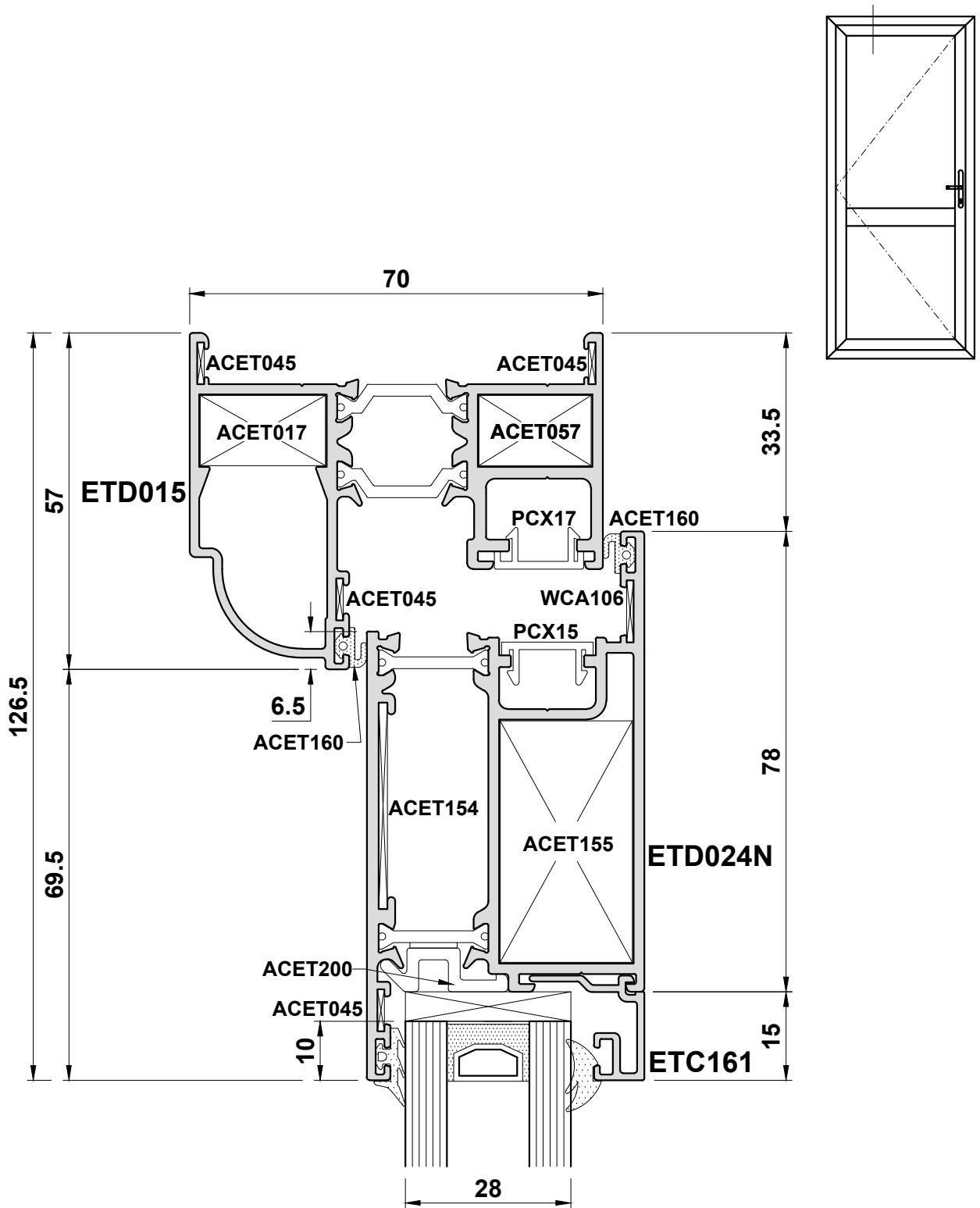
Do Not Scale From This Drawing

Detail 5b



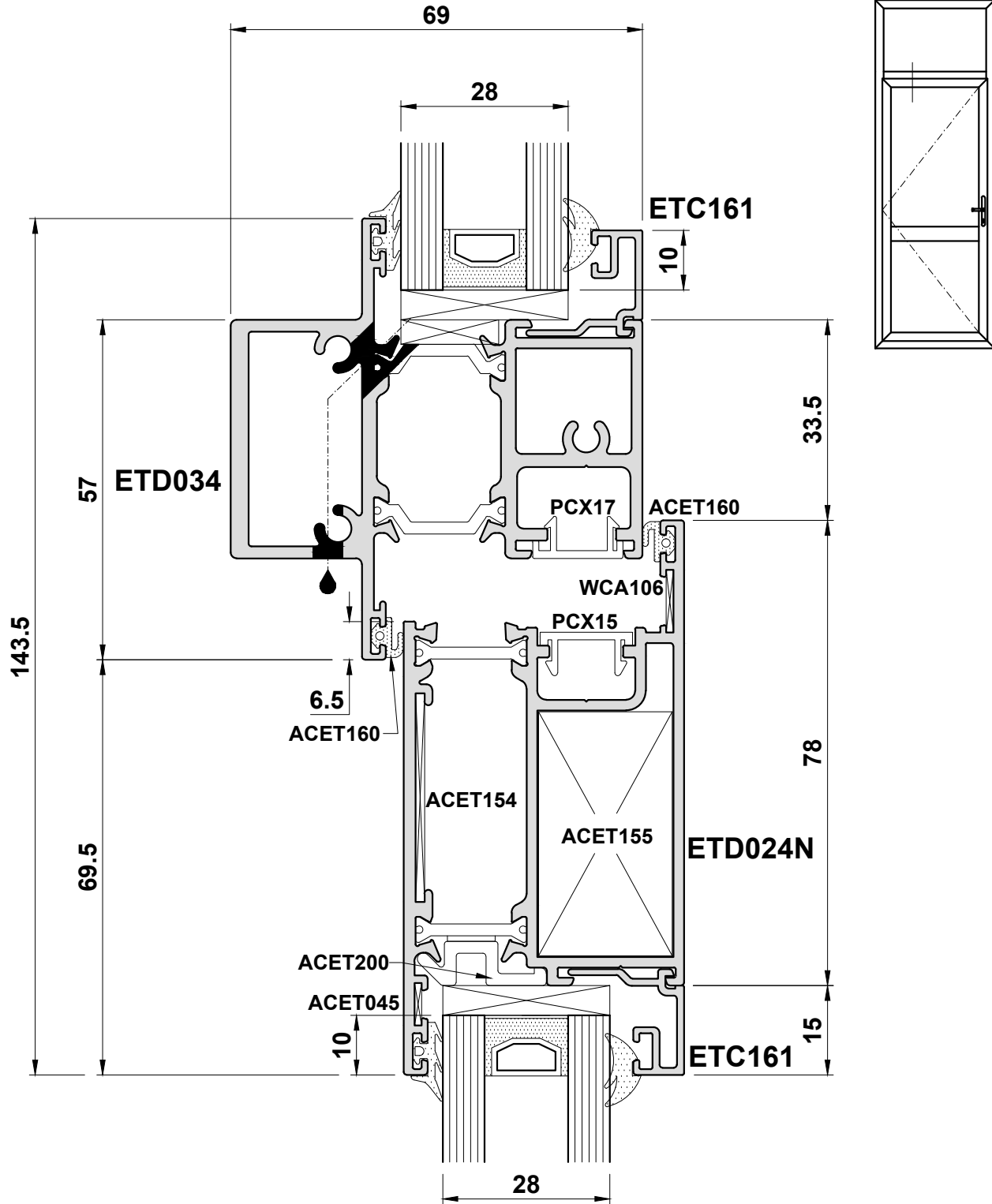
Do Not Scale From This Drawing

Detail 5c



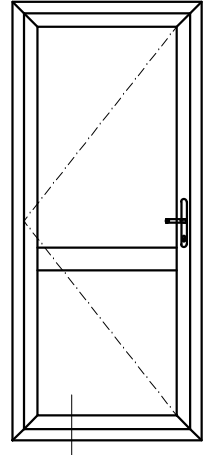
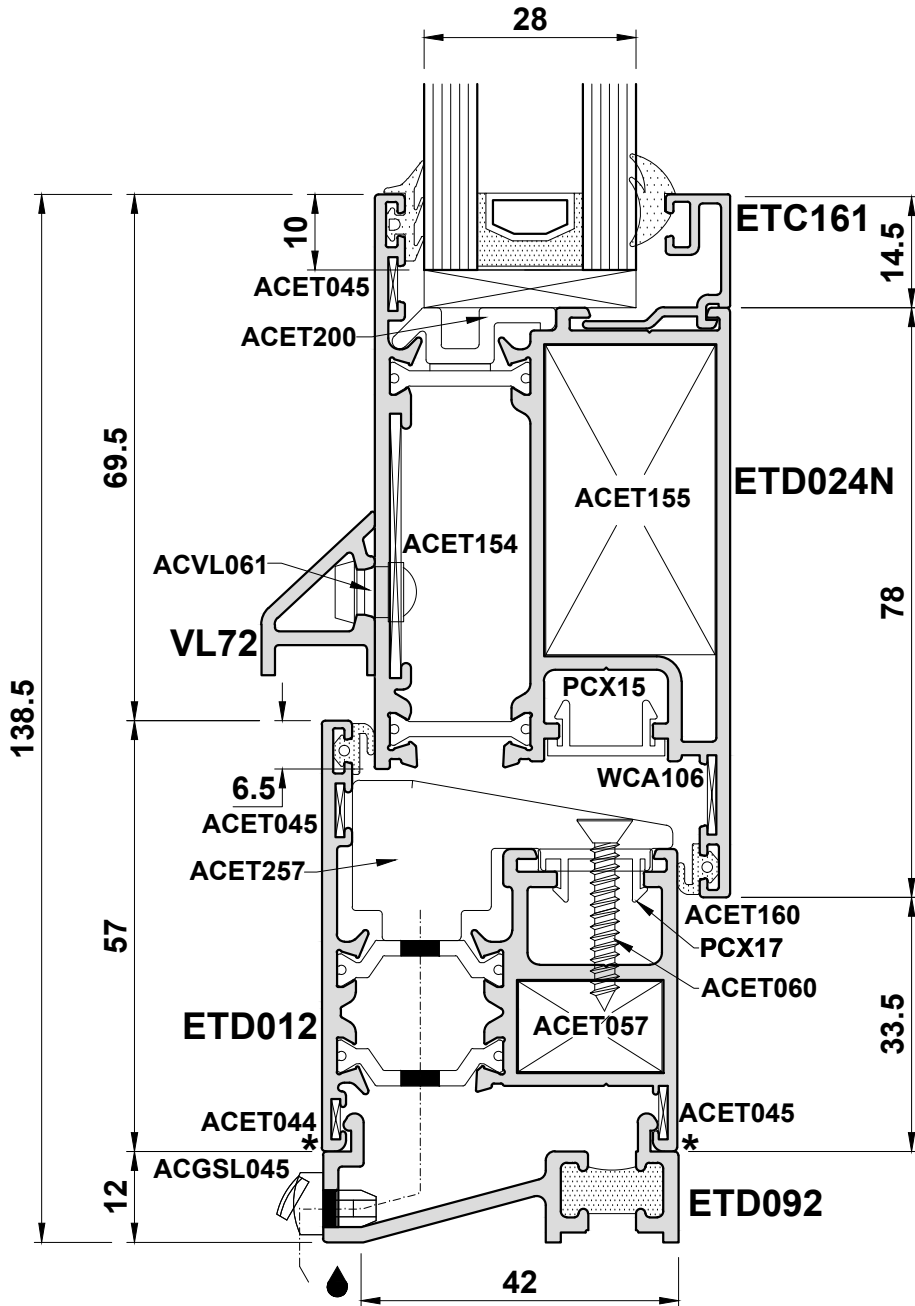
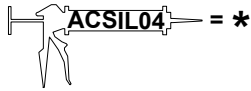
Do Not Scale From This Drawing

Detail 6



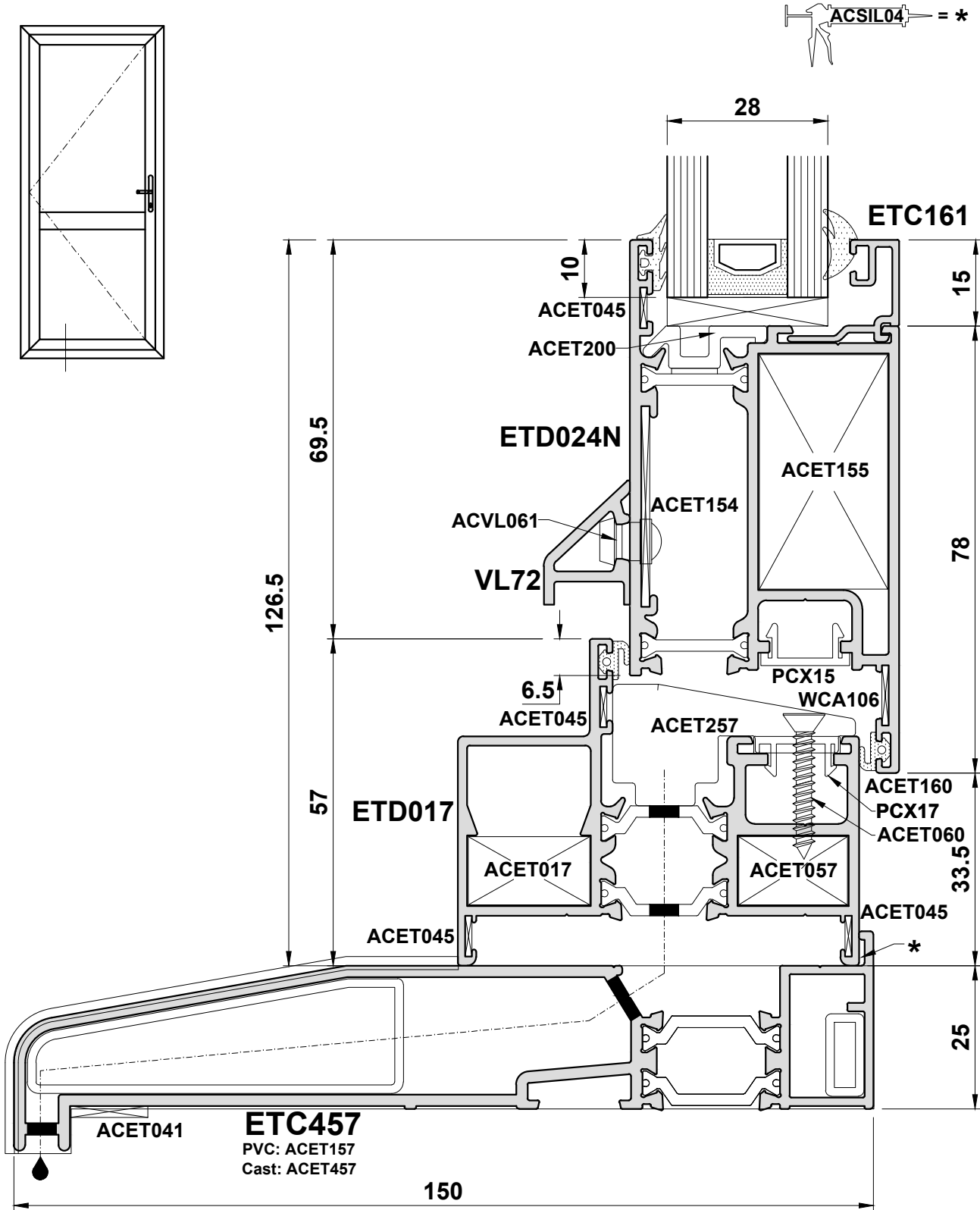
Do Not Scale From This Drawing

Detail 7a



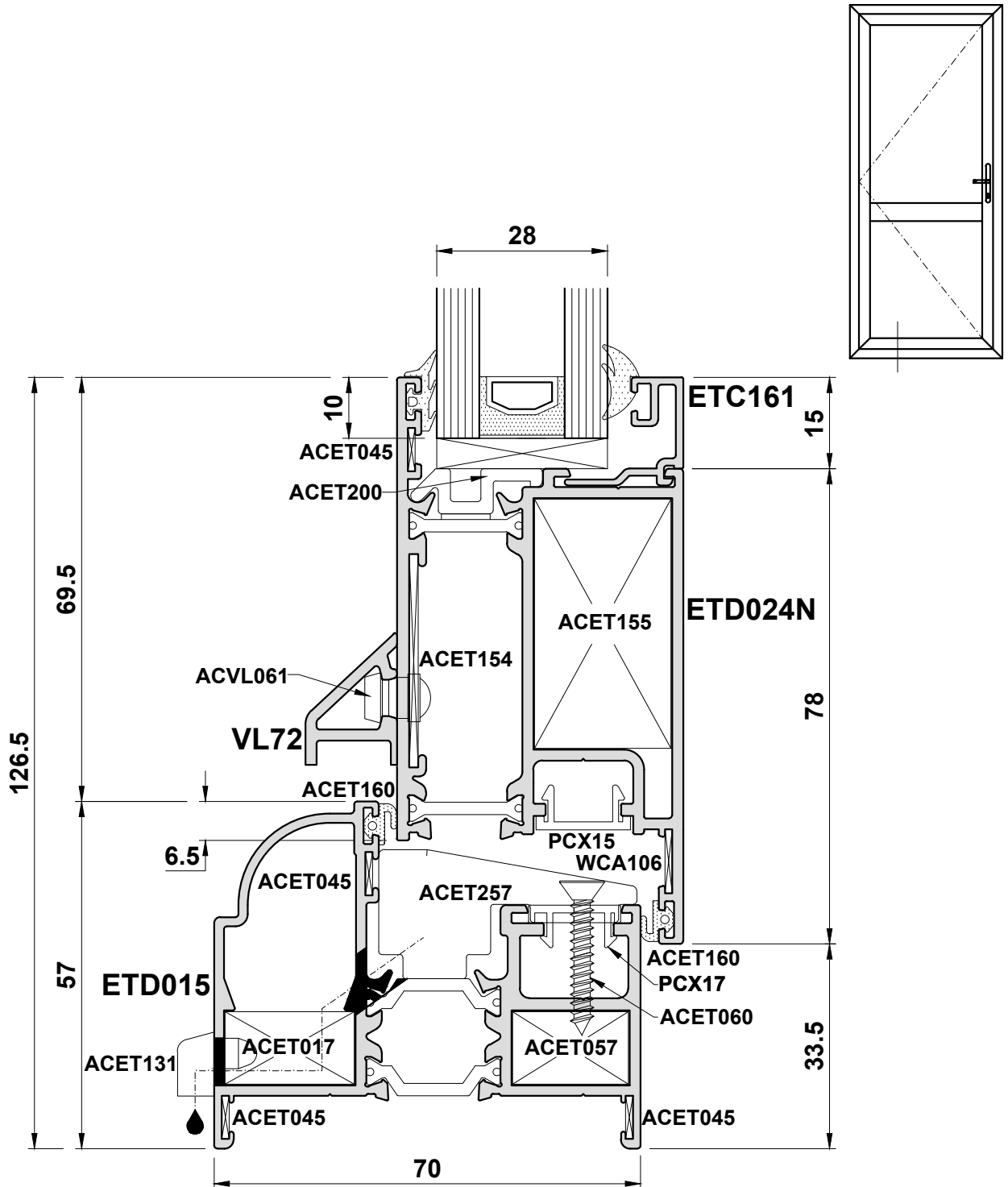
Do Not Scale From This Drawing

Detail 7b



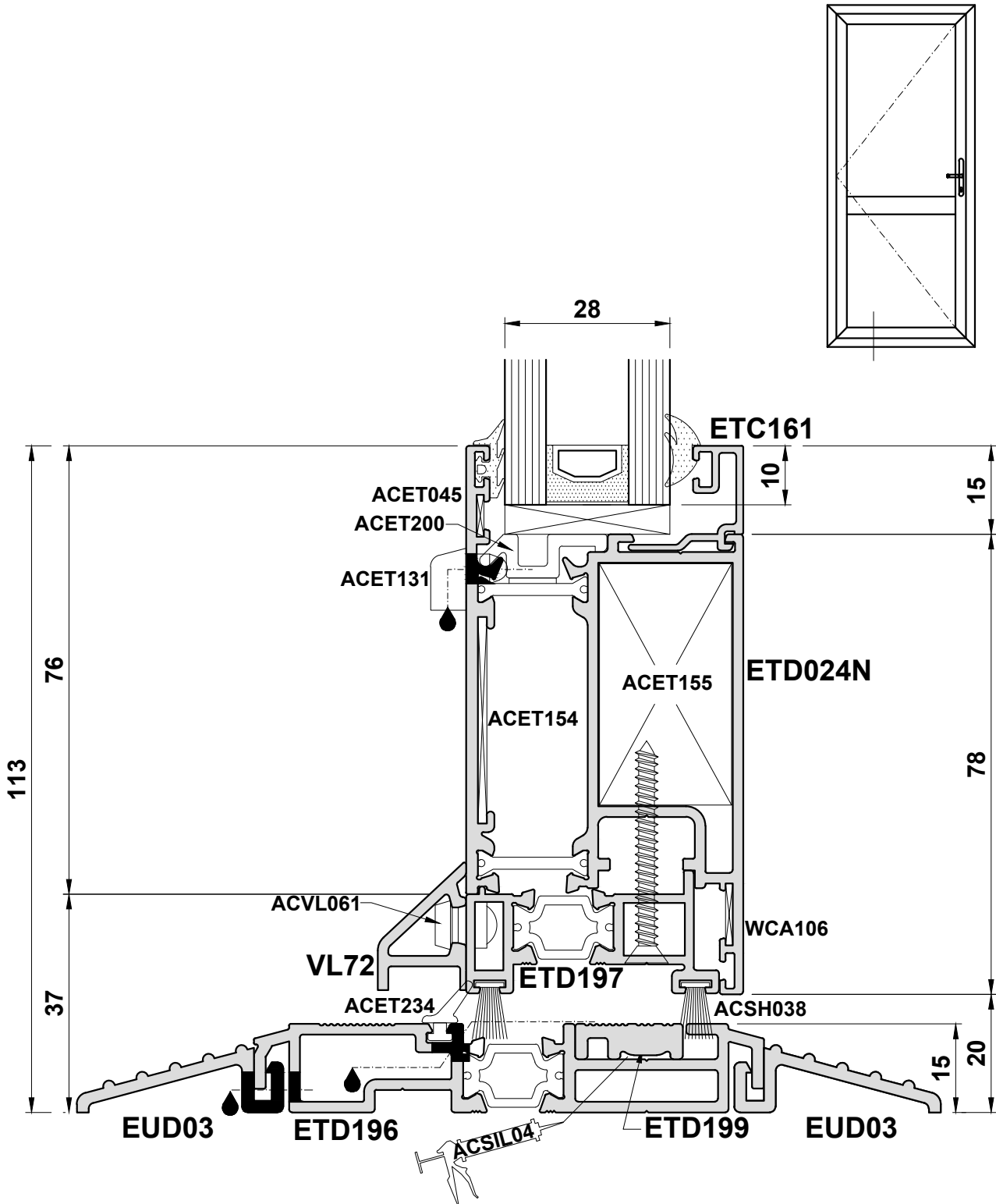
Do Not Scale From This Drawing

Detail 7c



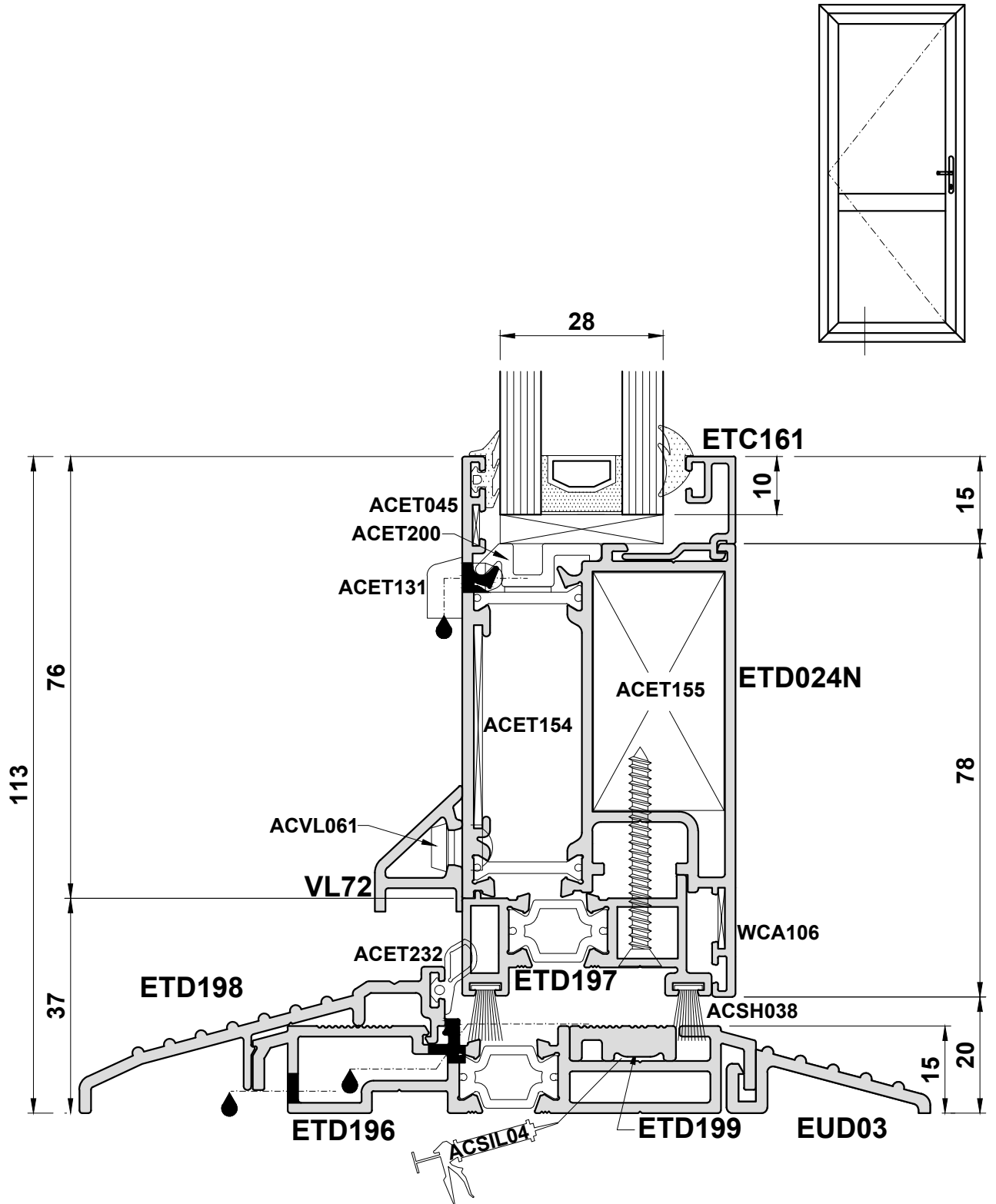
Do Not Scale From This Drawing

Detail 7d



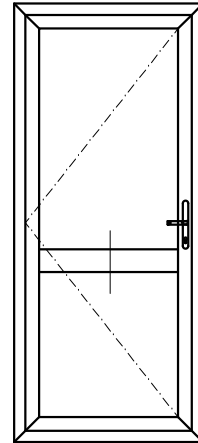
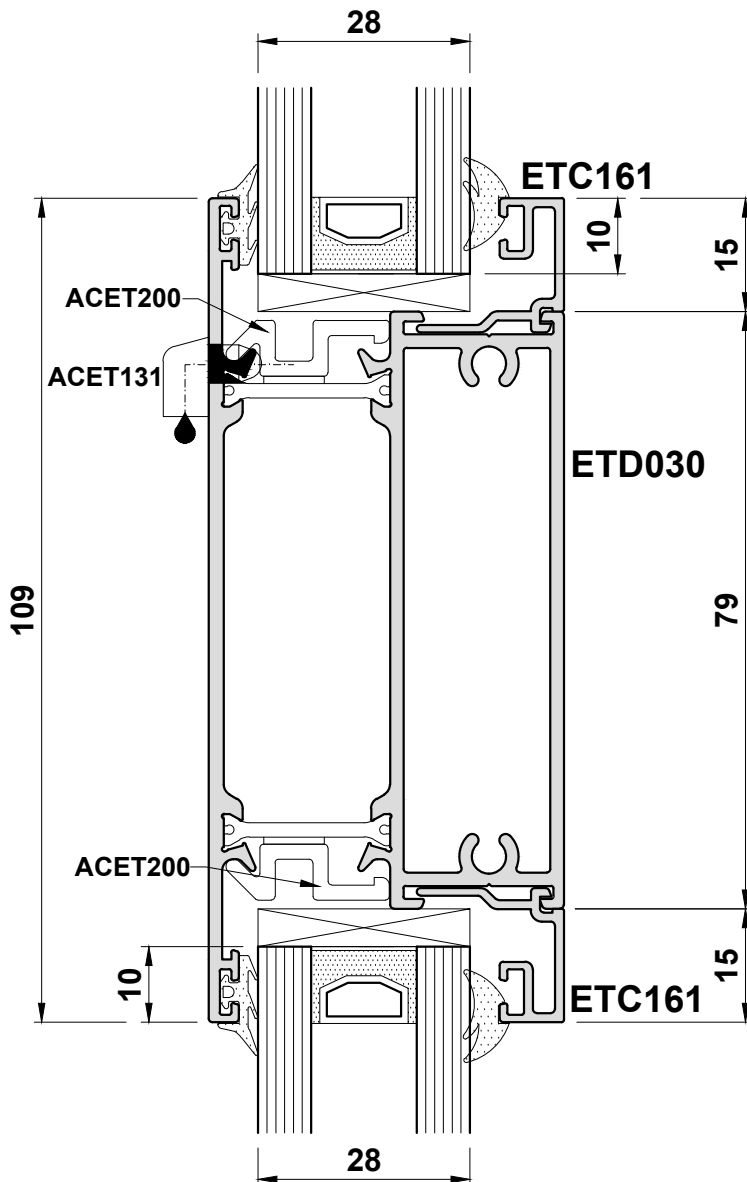
Do Not Scale From This Drawing

Detail 7e



Do Not Scale From This Drawing

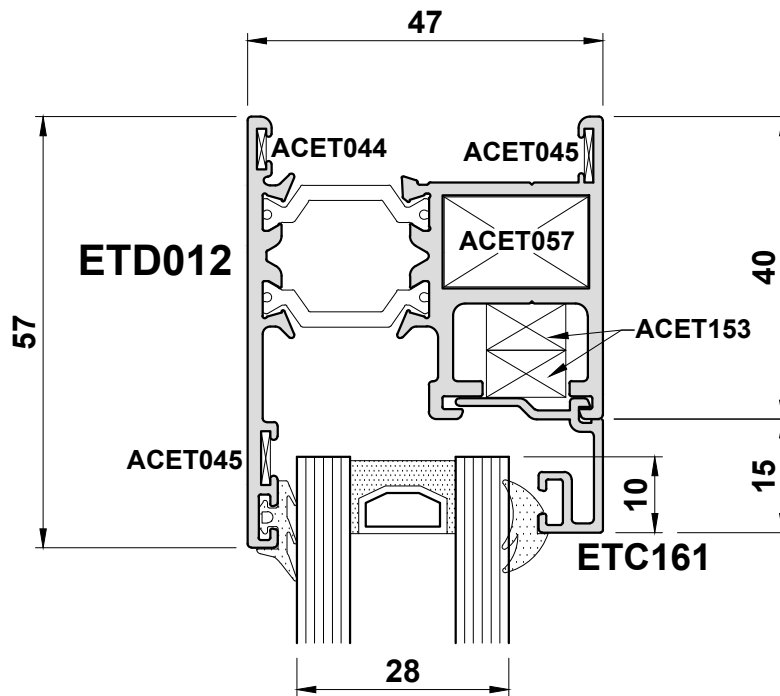
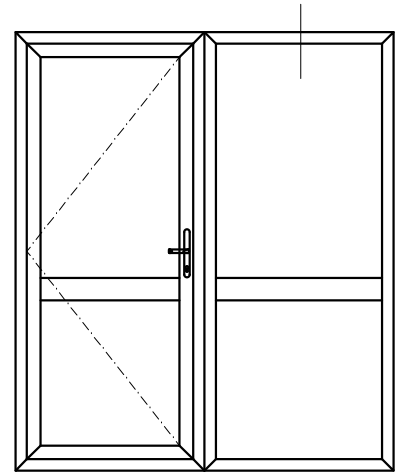
Detail 8



Note: Midrail will drain through the join to the stiles.

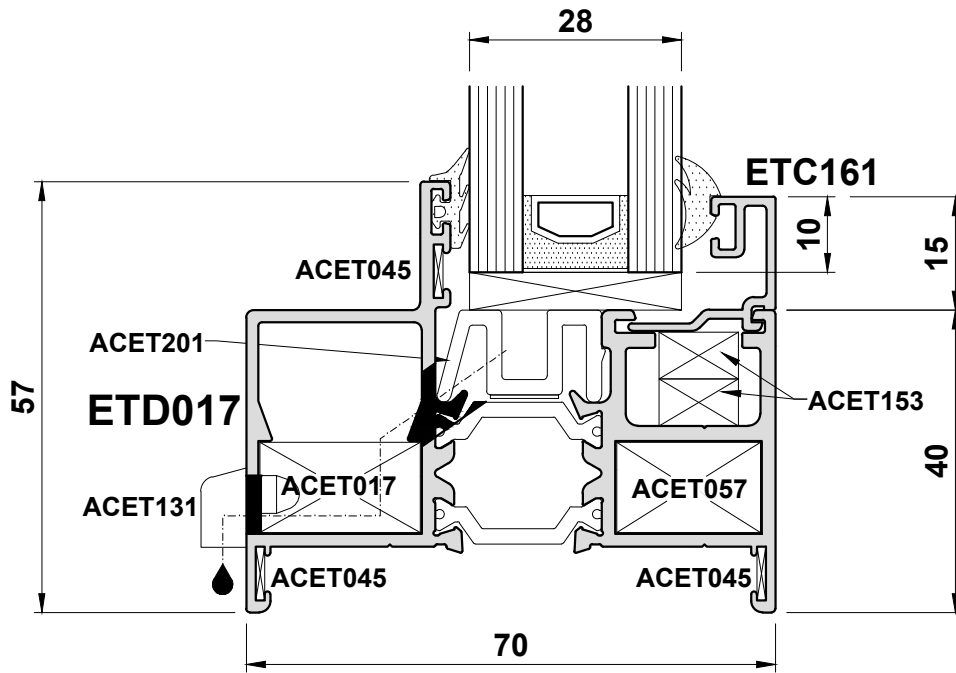
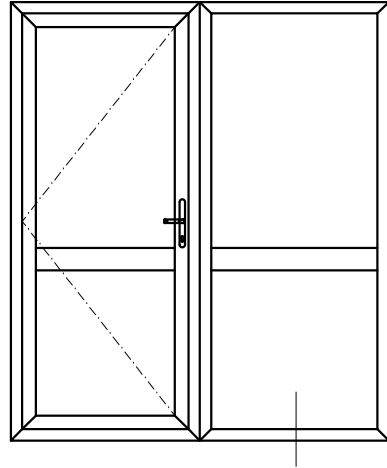
Do Not Scale From This Drawing

Detail 9



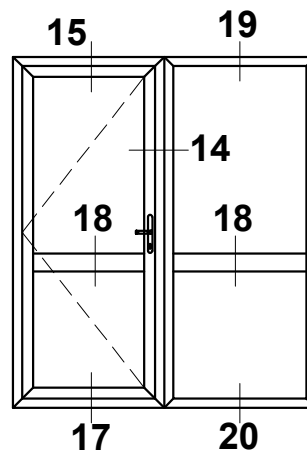
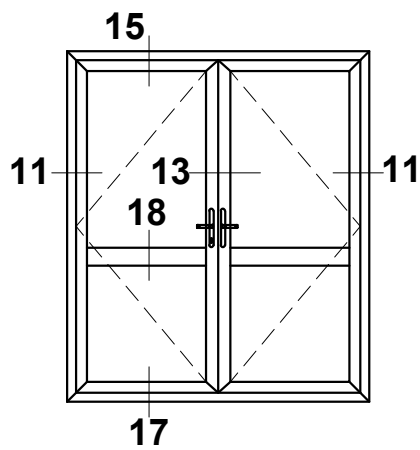
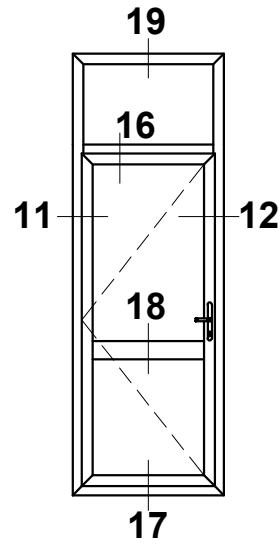
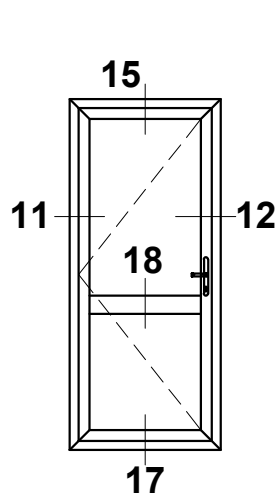
Do Not Scale From This Drawing

Detail 10



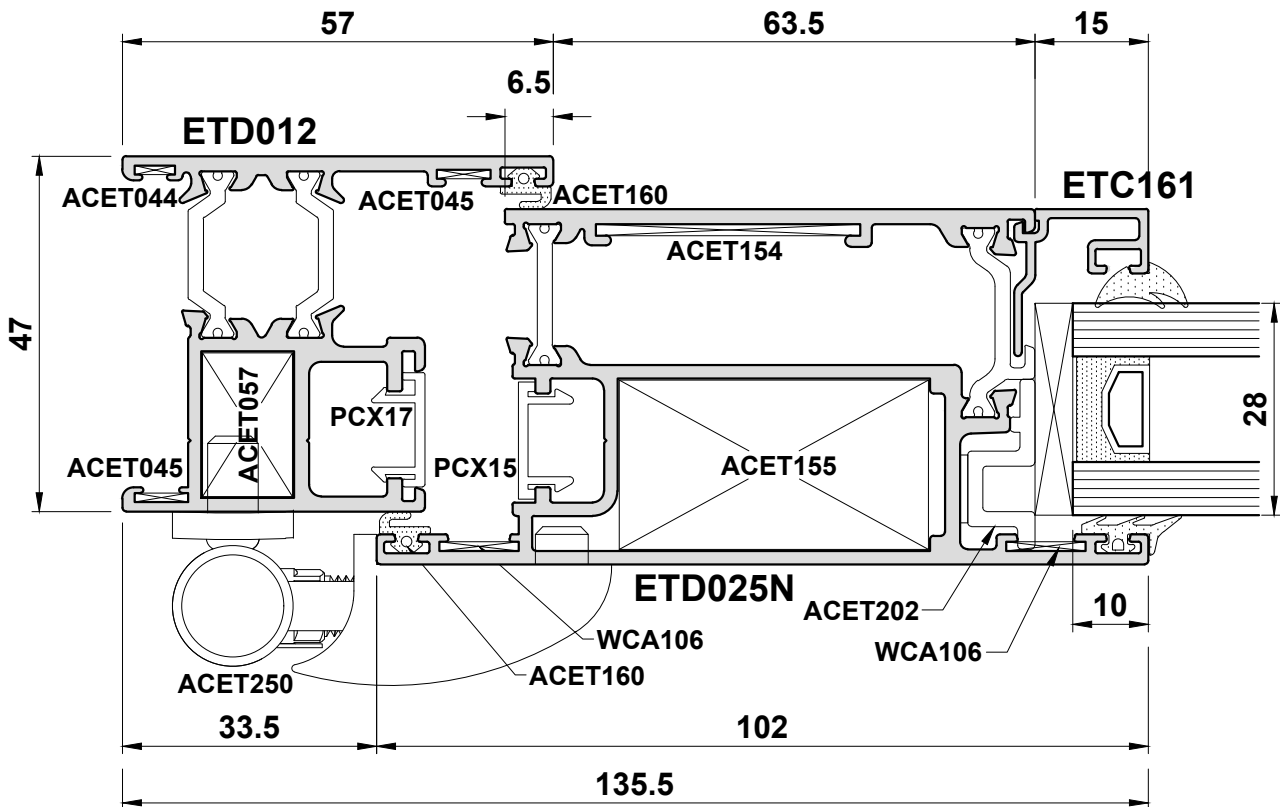
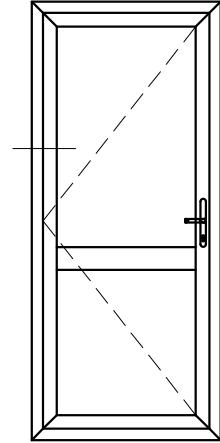
Do Not Scale From This Drawing

Open Out



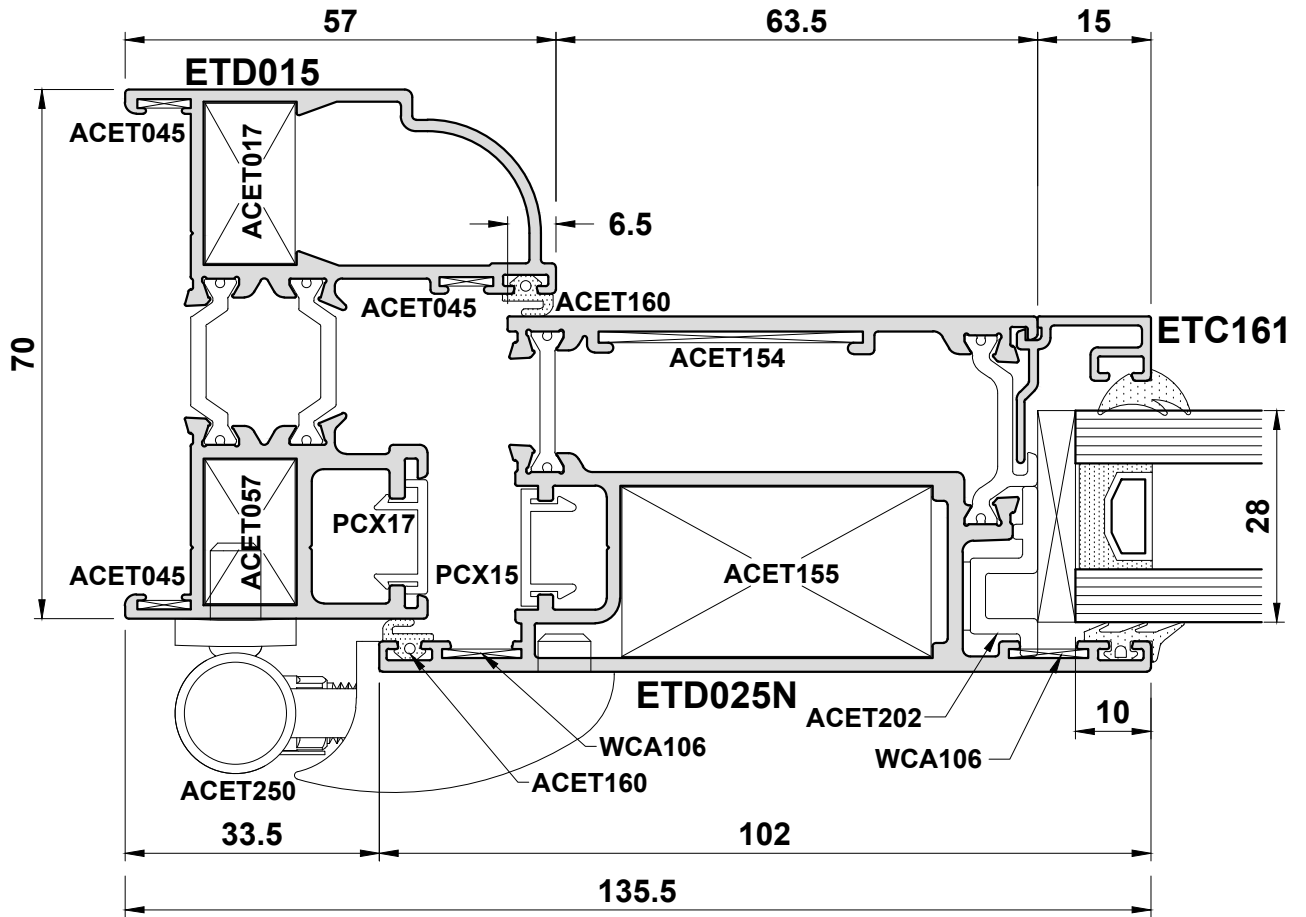
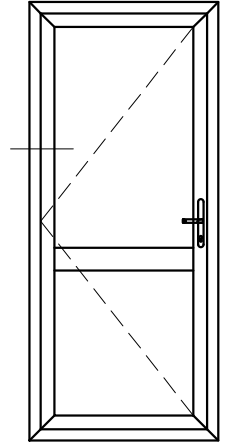
Do Not Scale From This Drawing

Detail 11a



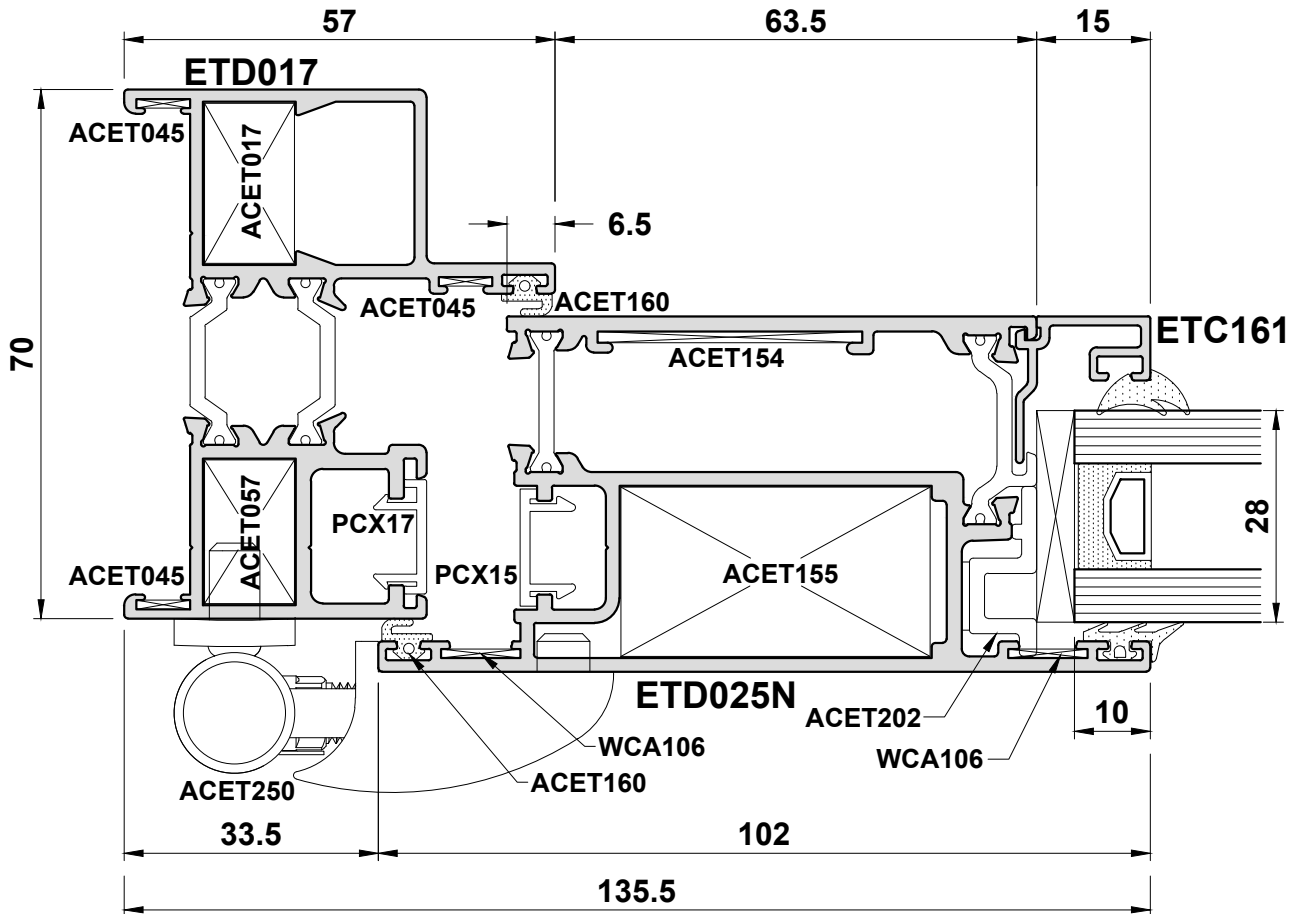
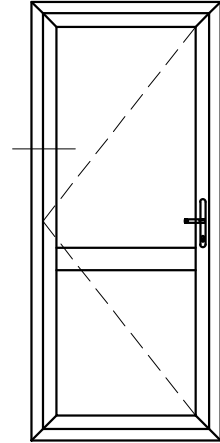
Do Not Scale From This Drawing

Detail 11b



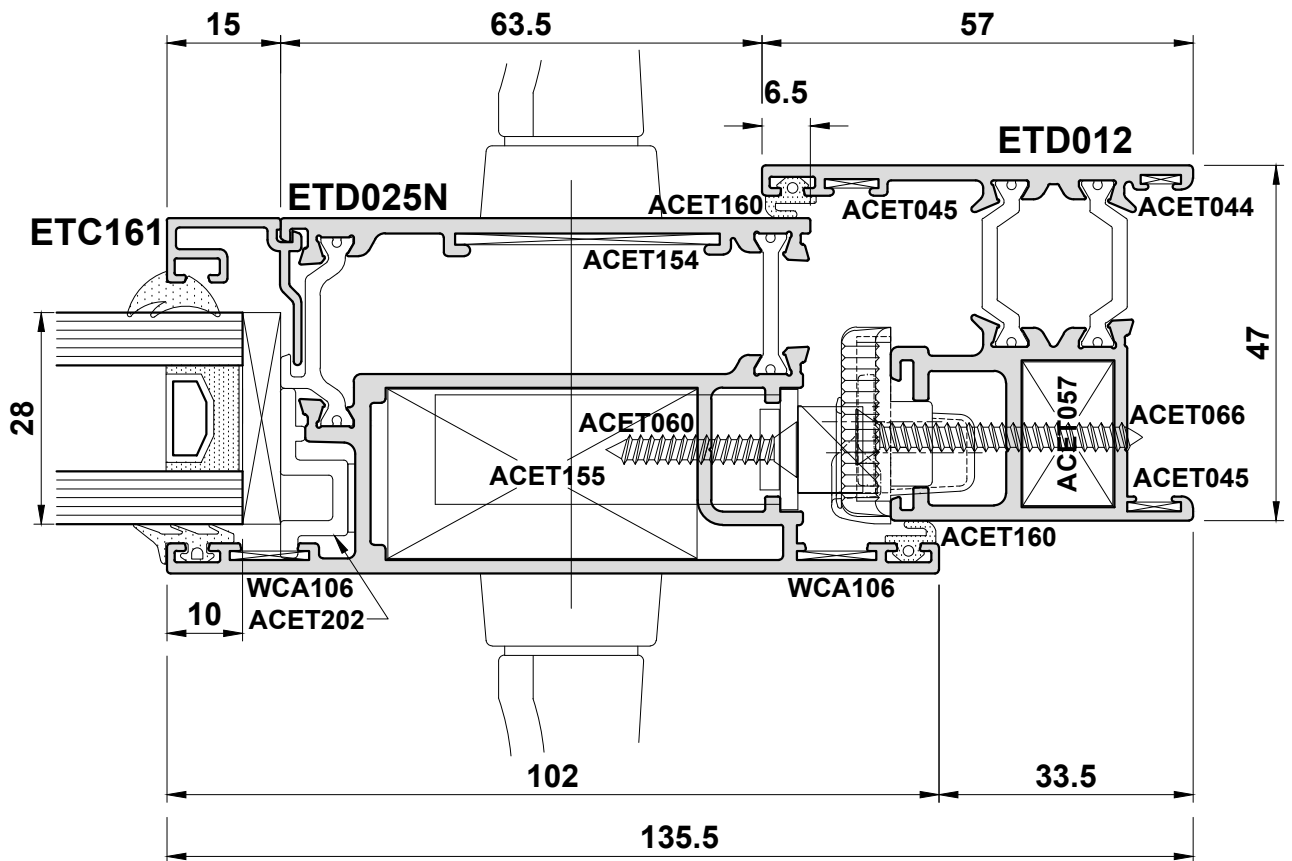
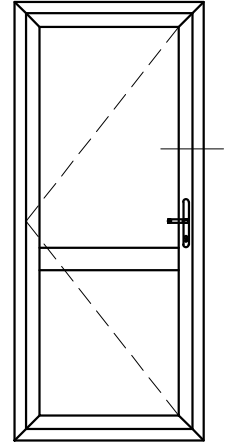
Do Not Scale From This Drawing

Detail 11c



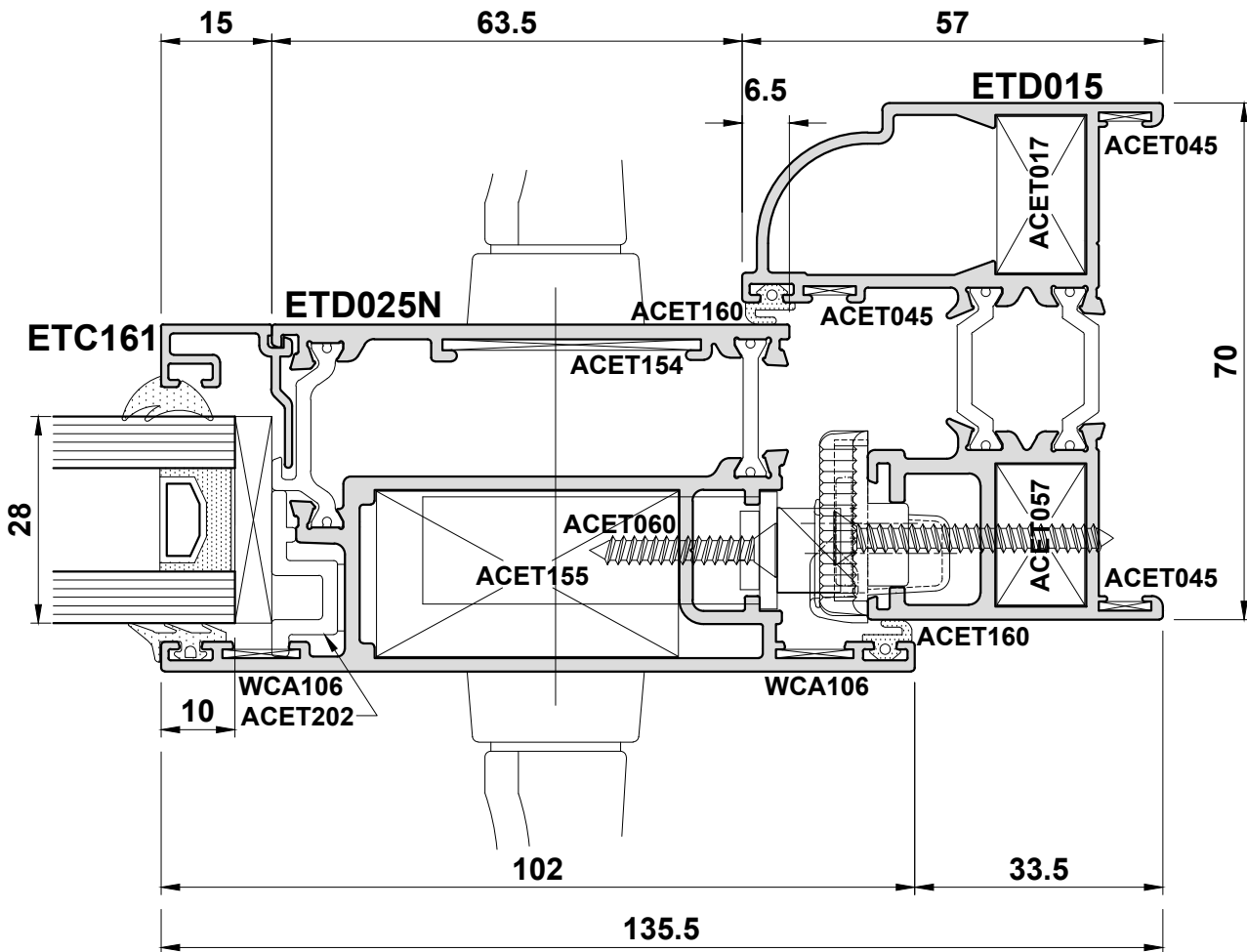
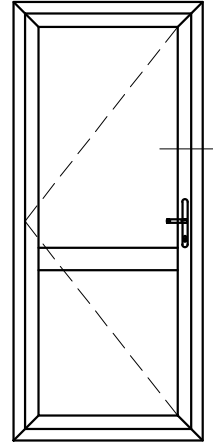
Do Not Scale From This Drawing

Detail 12a



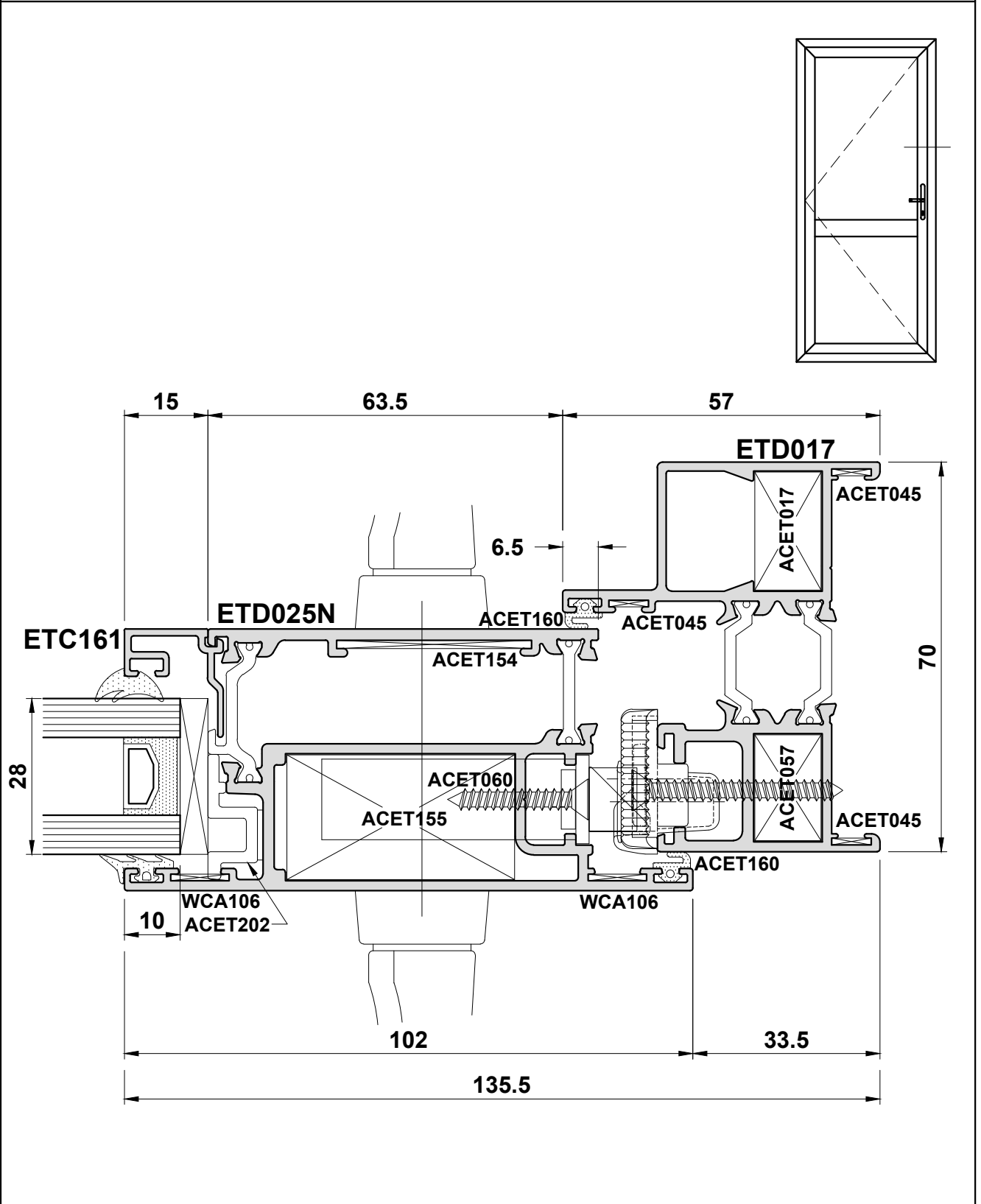
Do Not Scale From This Drawing

Detail 12b



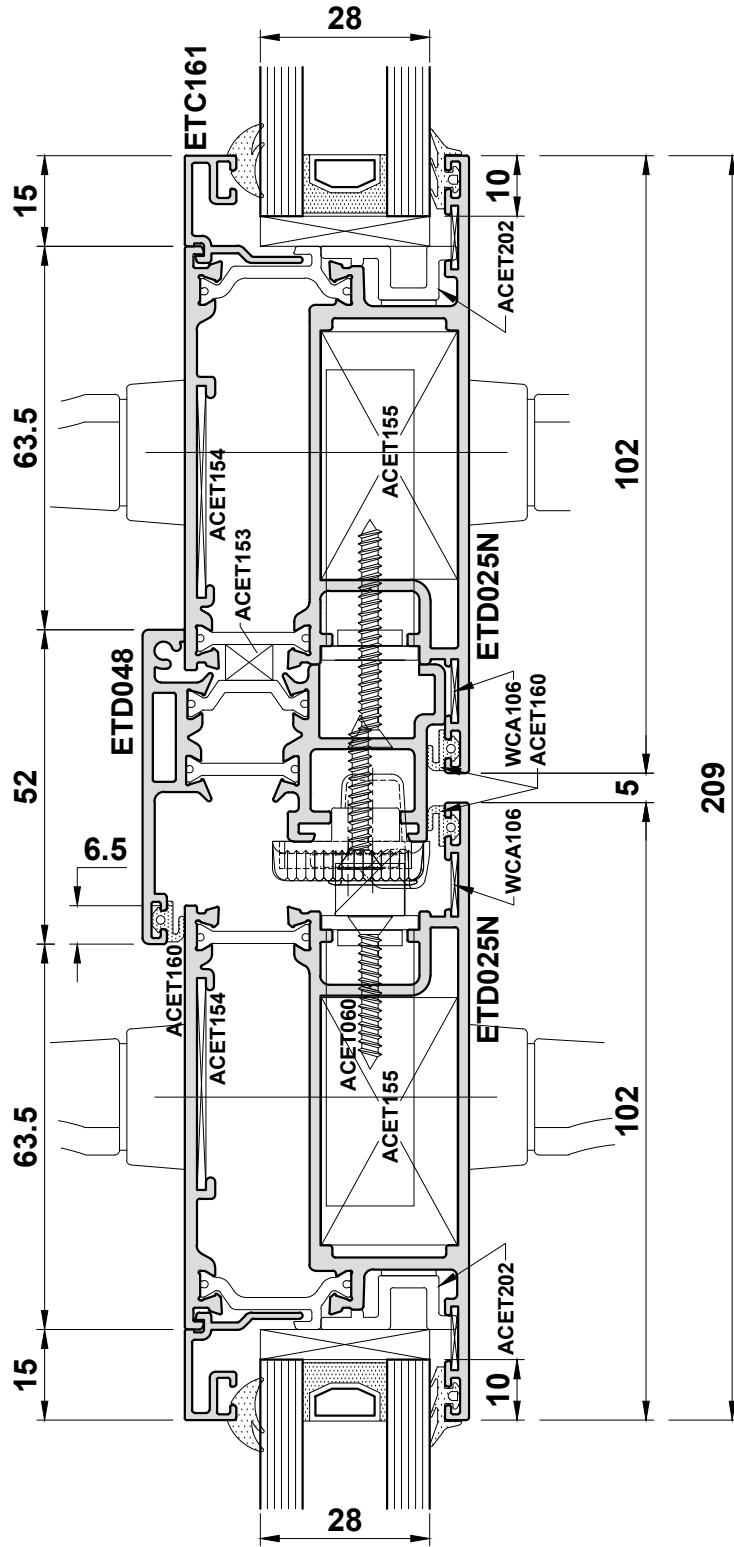
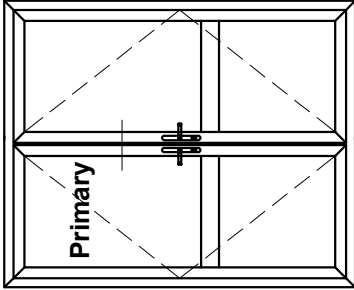
Do Not Scale From This Drawing

Detail 12c



Do Not Scale From This Drawing

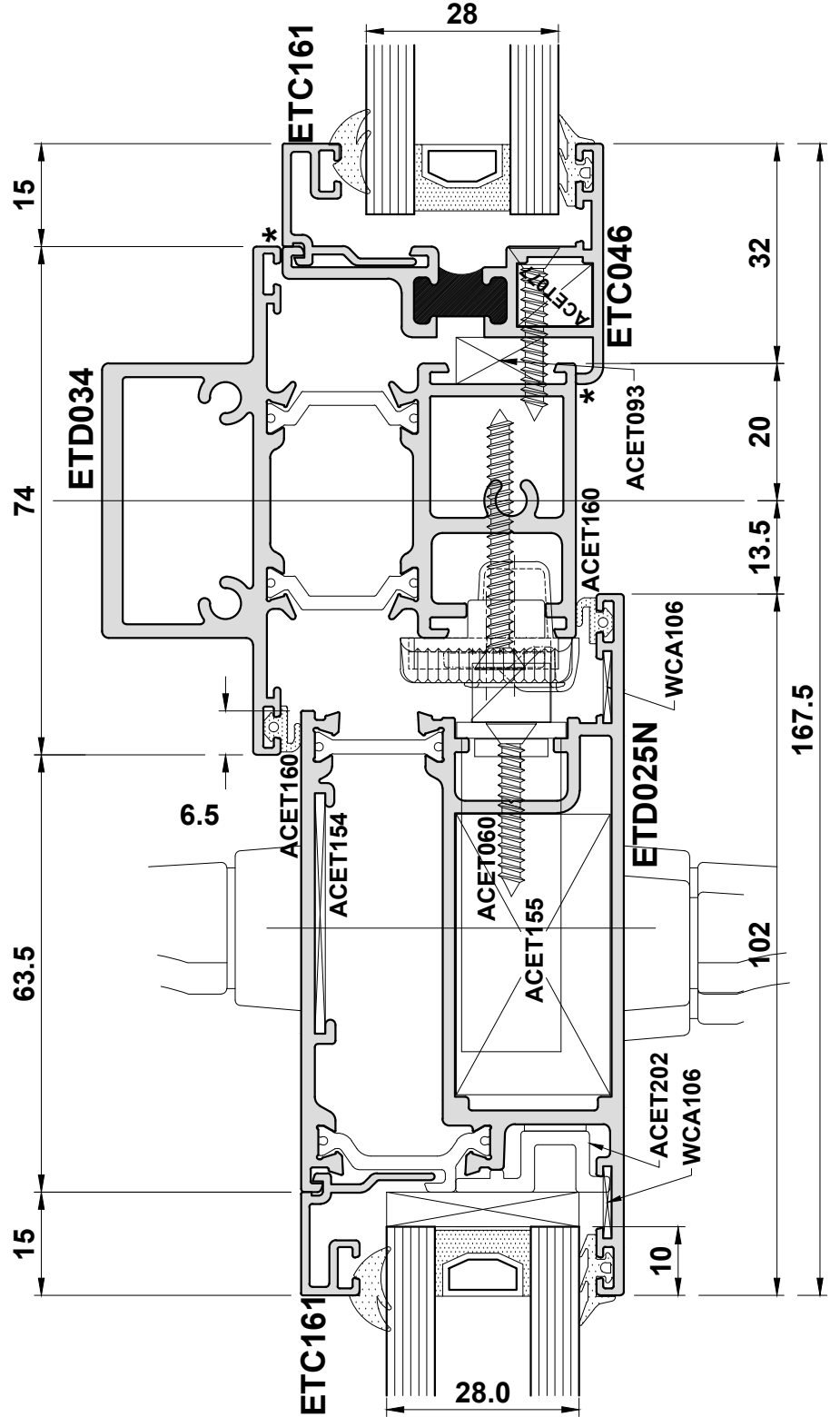
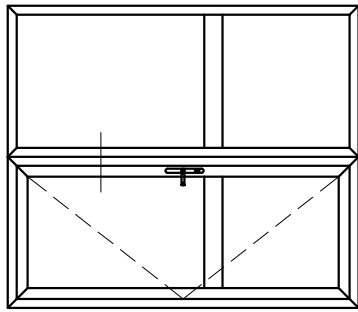
Detail 13



Scaled To Fit

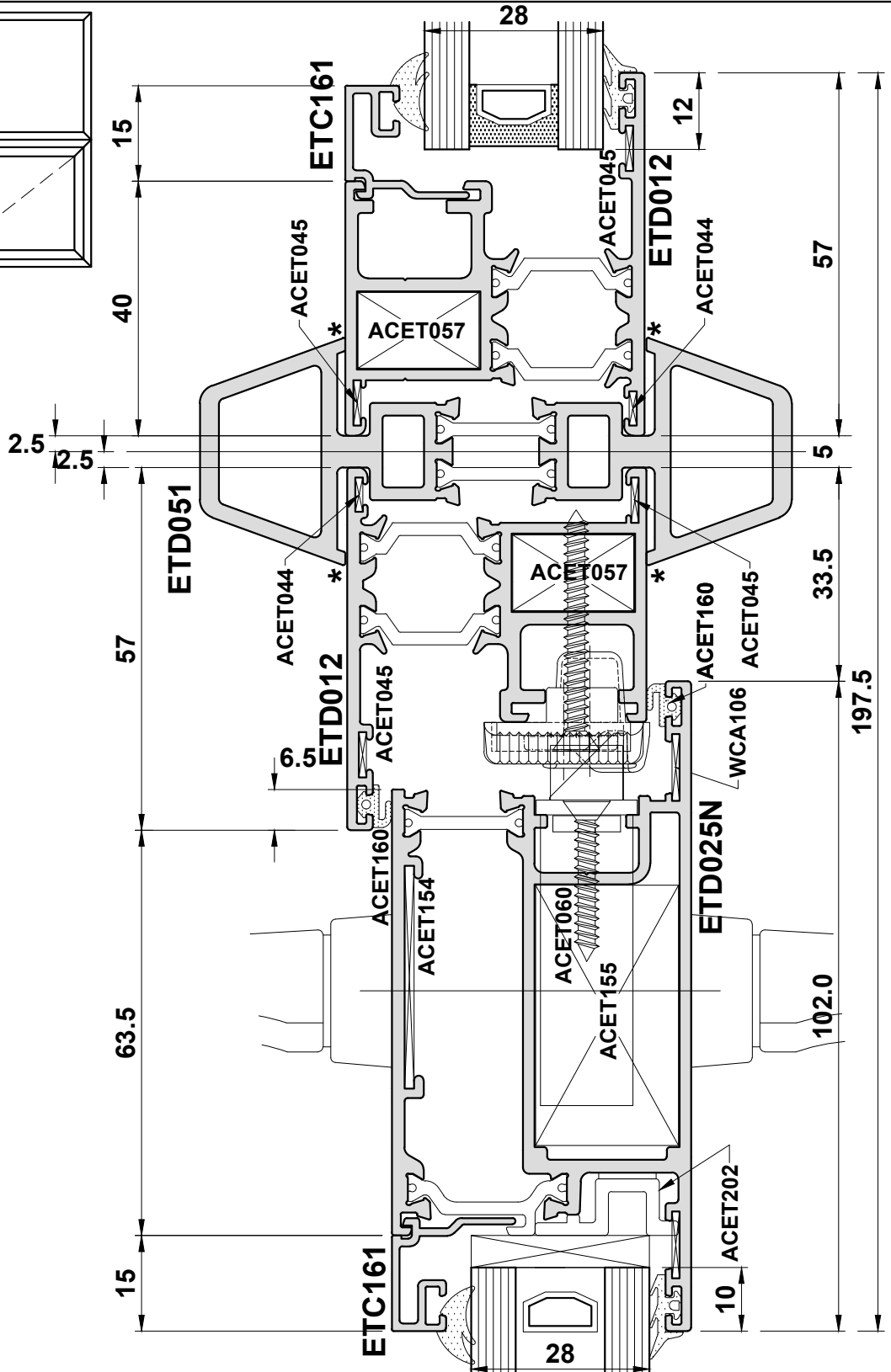
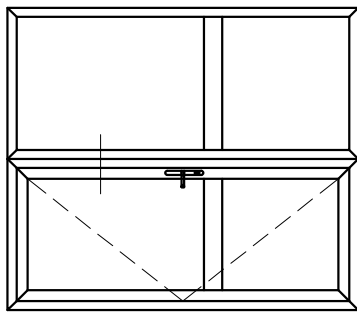
Do Not Scale From This Drawing

Detail 14a



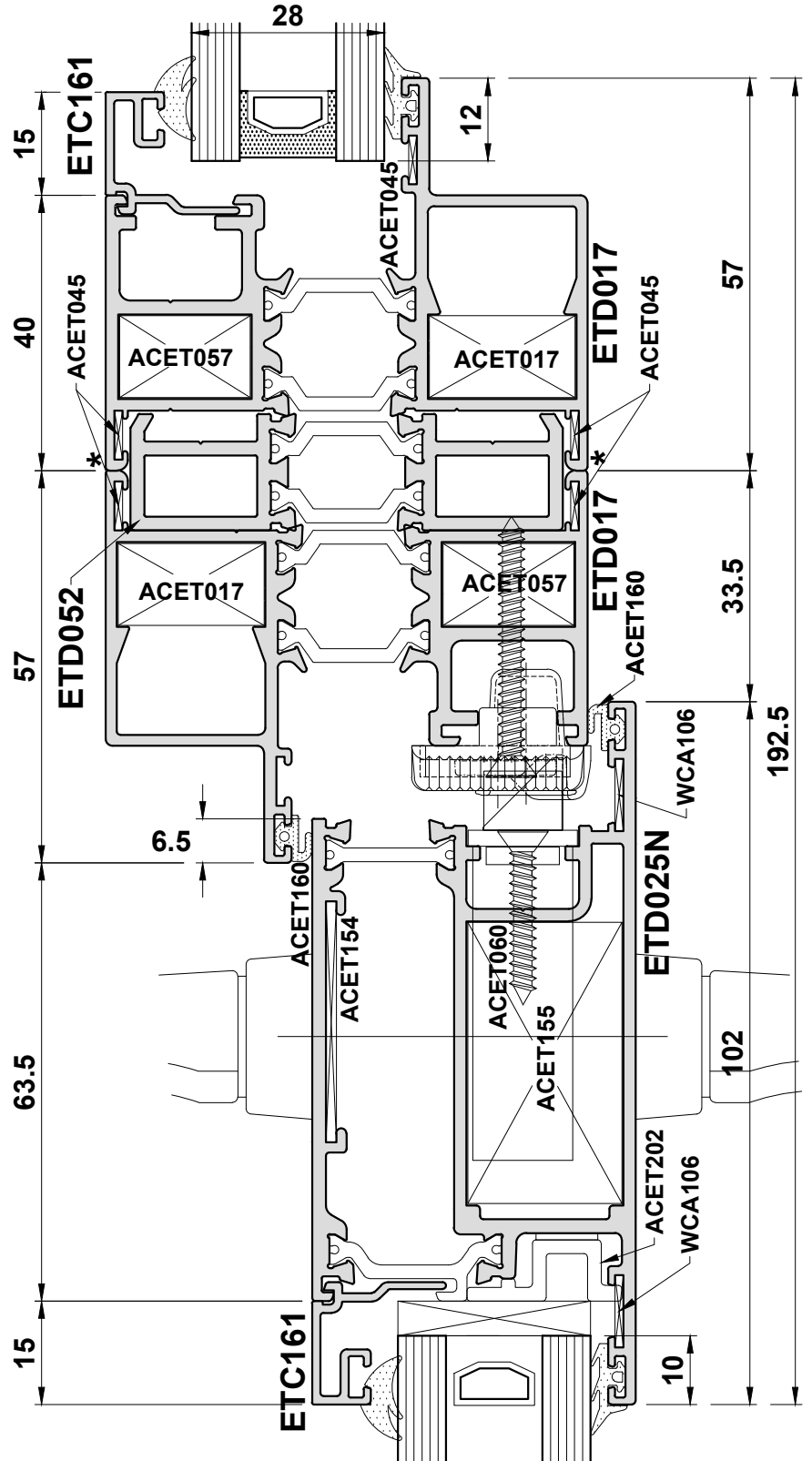
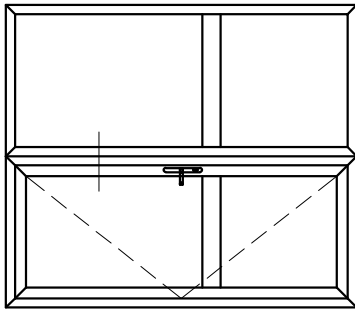
Do Not Scale From This Drawing

Detail 14b



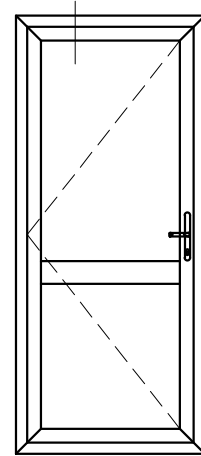
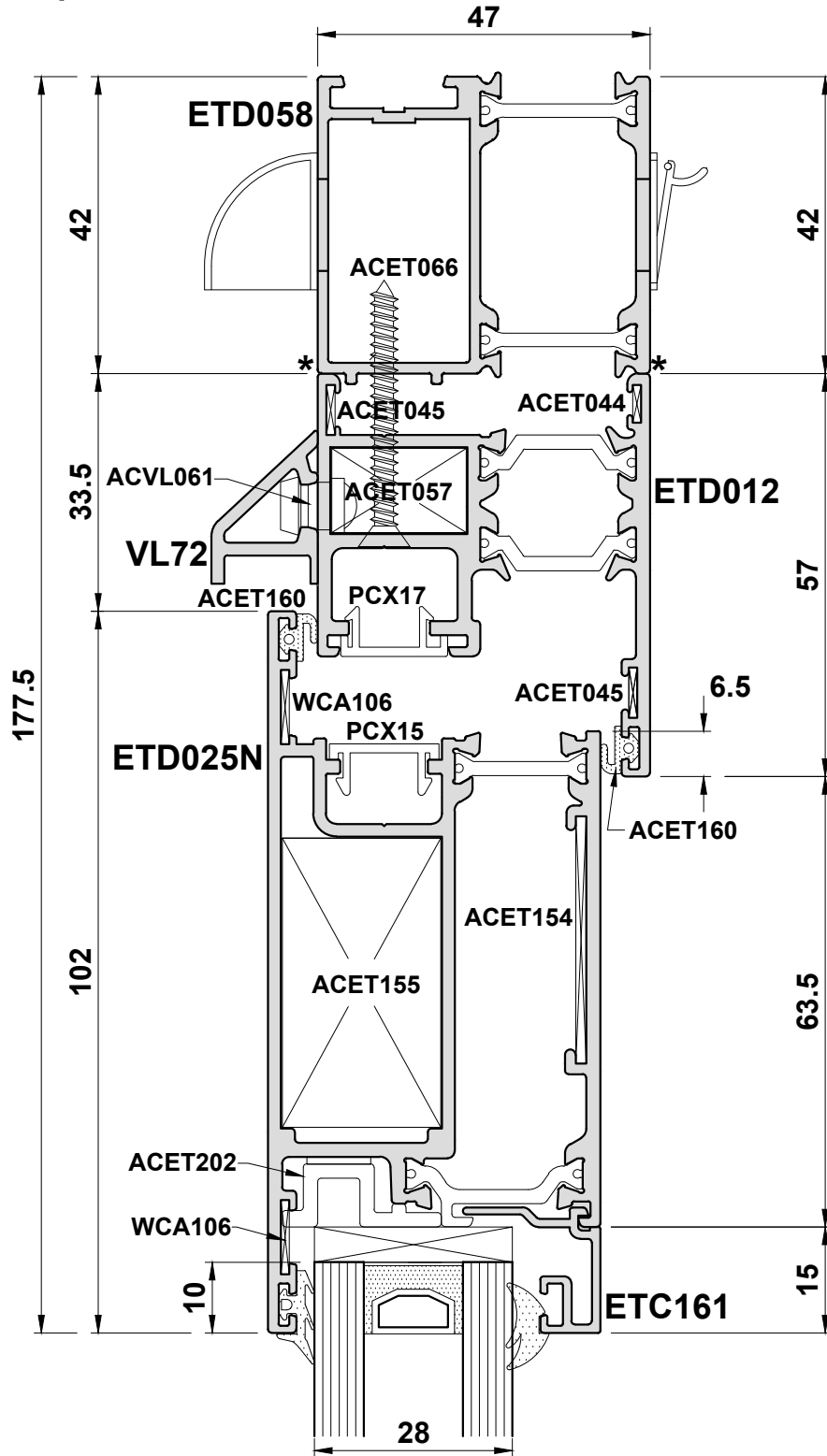
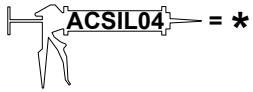
Do Not Scale From This Drawing

Detail 14c



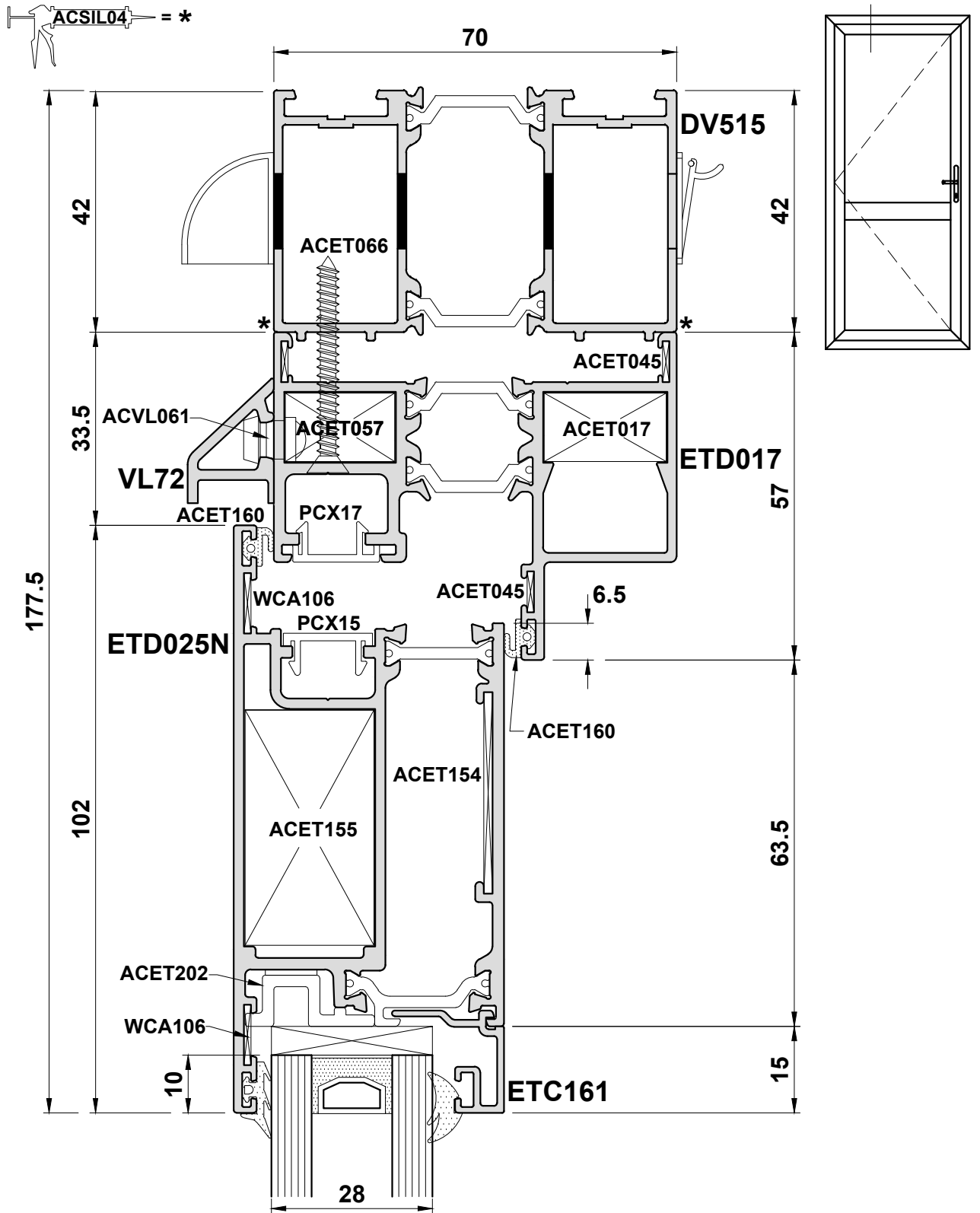
Do Not Scale From This Drawing

Detail 15a



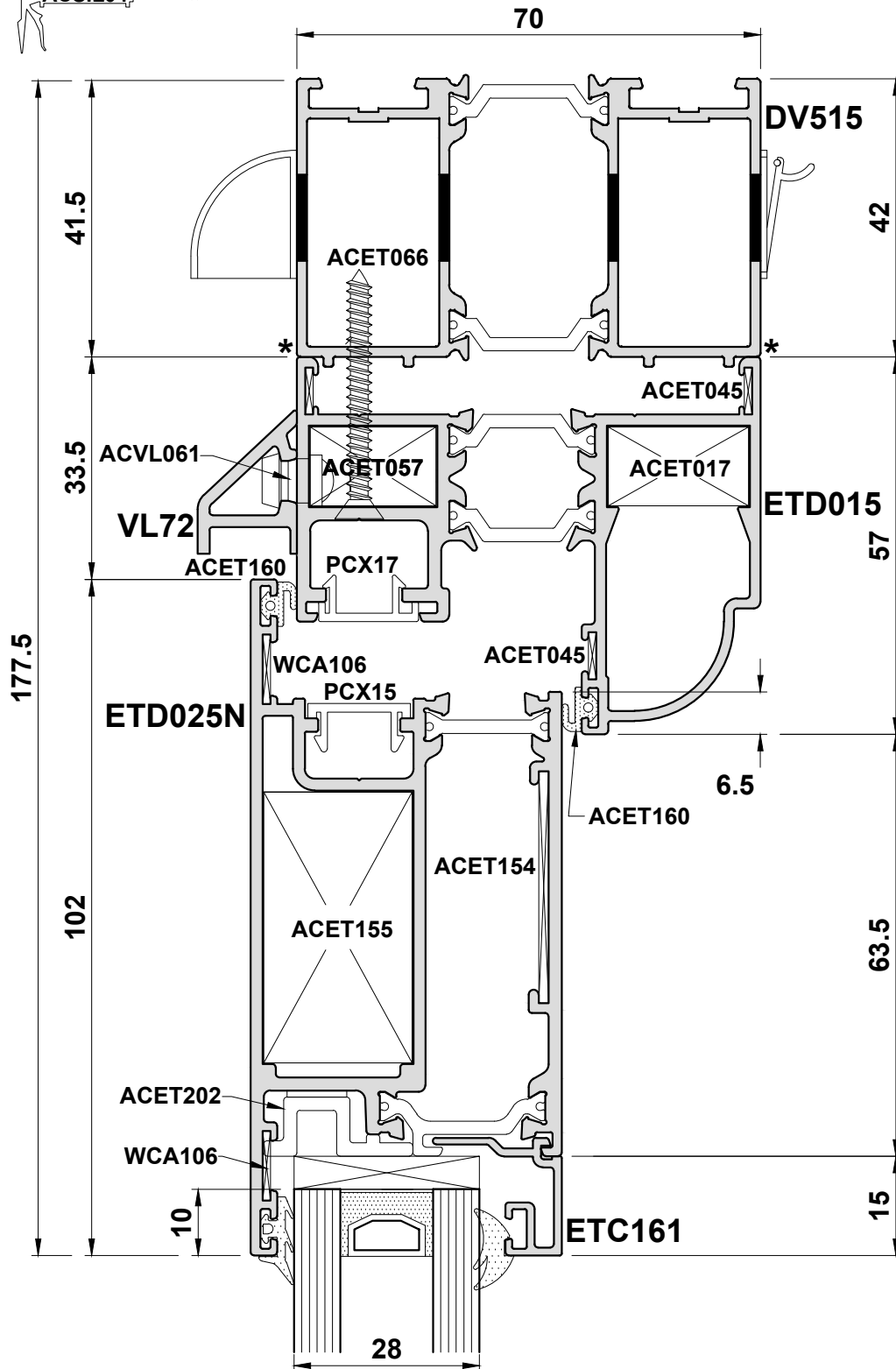
Do Not Scale From This Drawing

Detail 15b



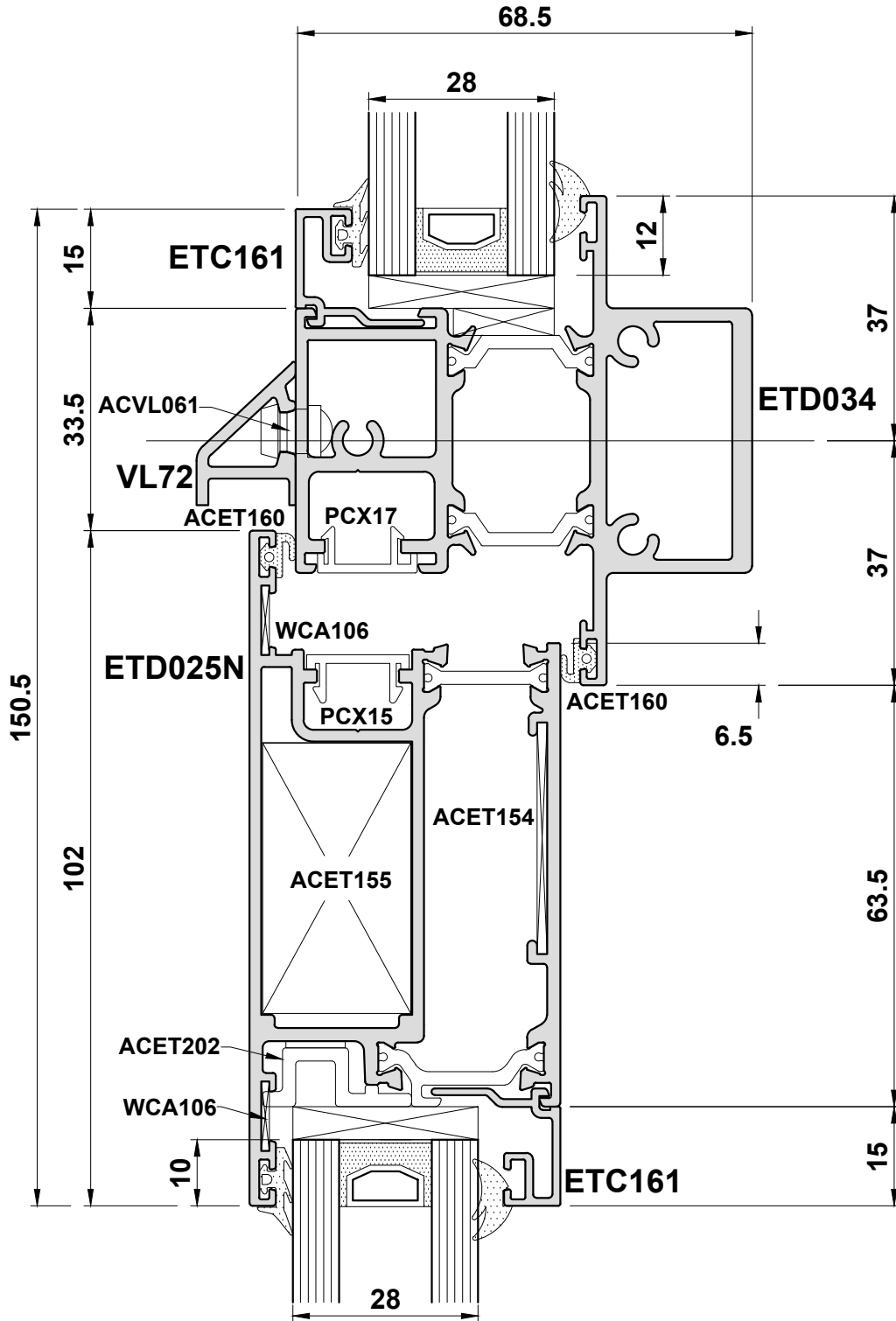
Do Not Scale From This Drawing

Detail 15c



Do Not Scale From This Drawing

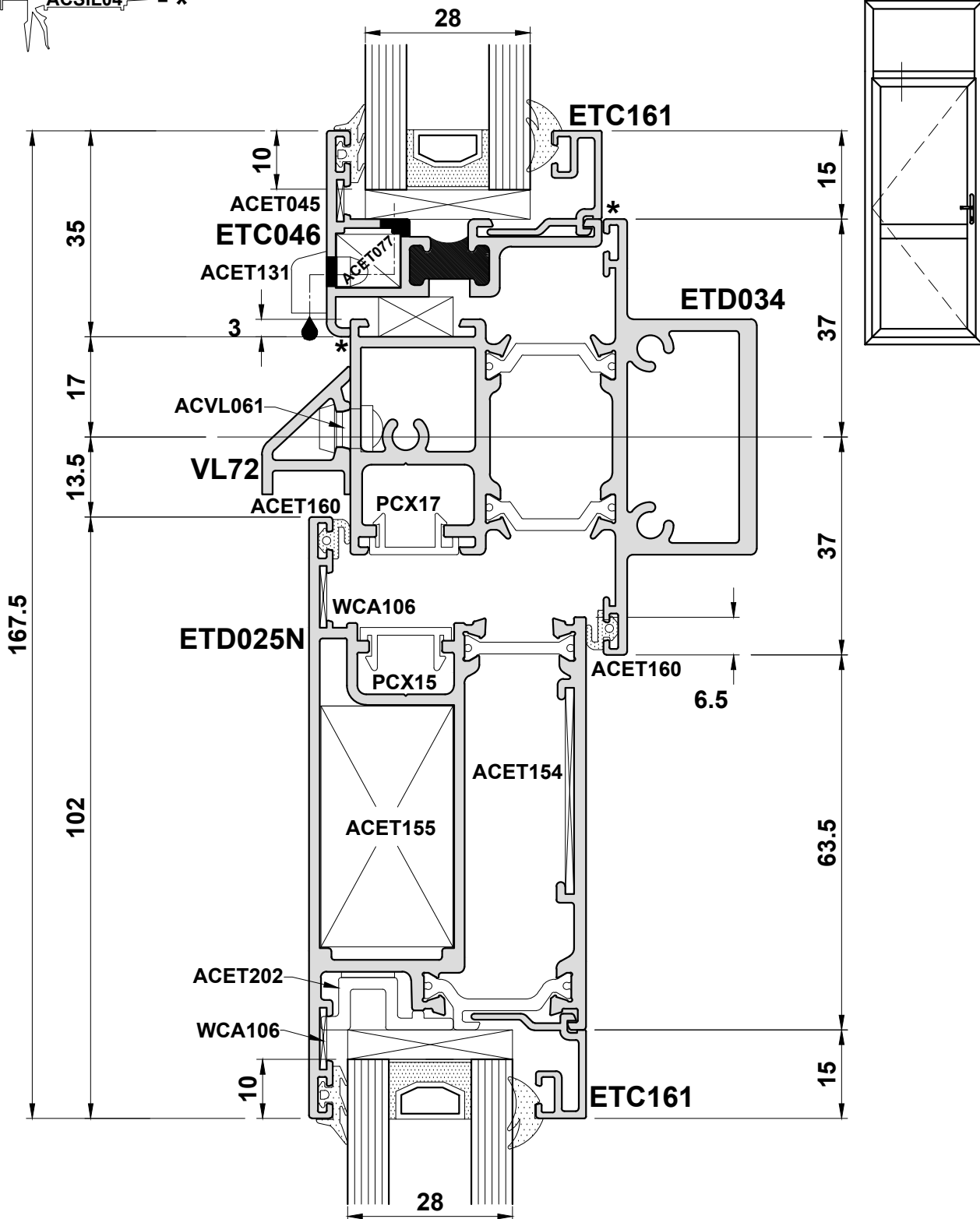
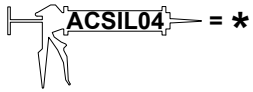
Detail 16a



Note: Midrail will drain through the join to the stiles.

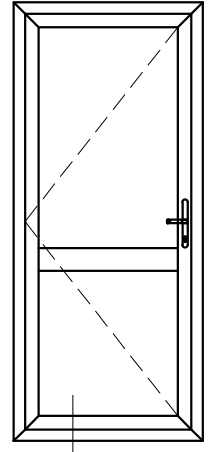
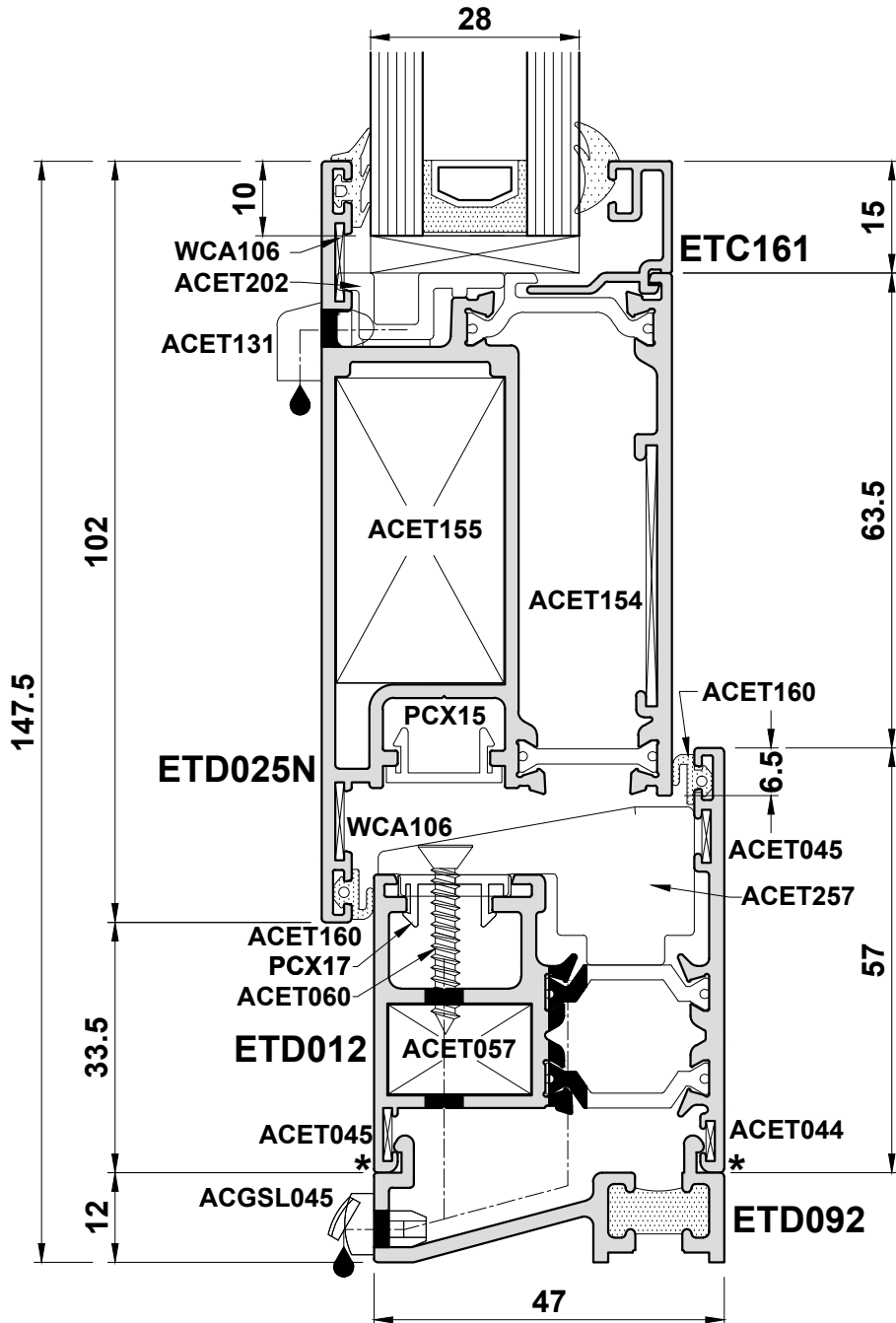
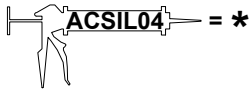
Do Not Scale From This Drawing

Detail 16b



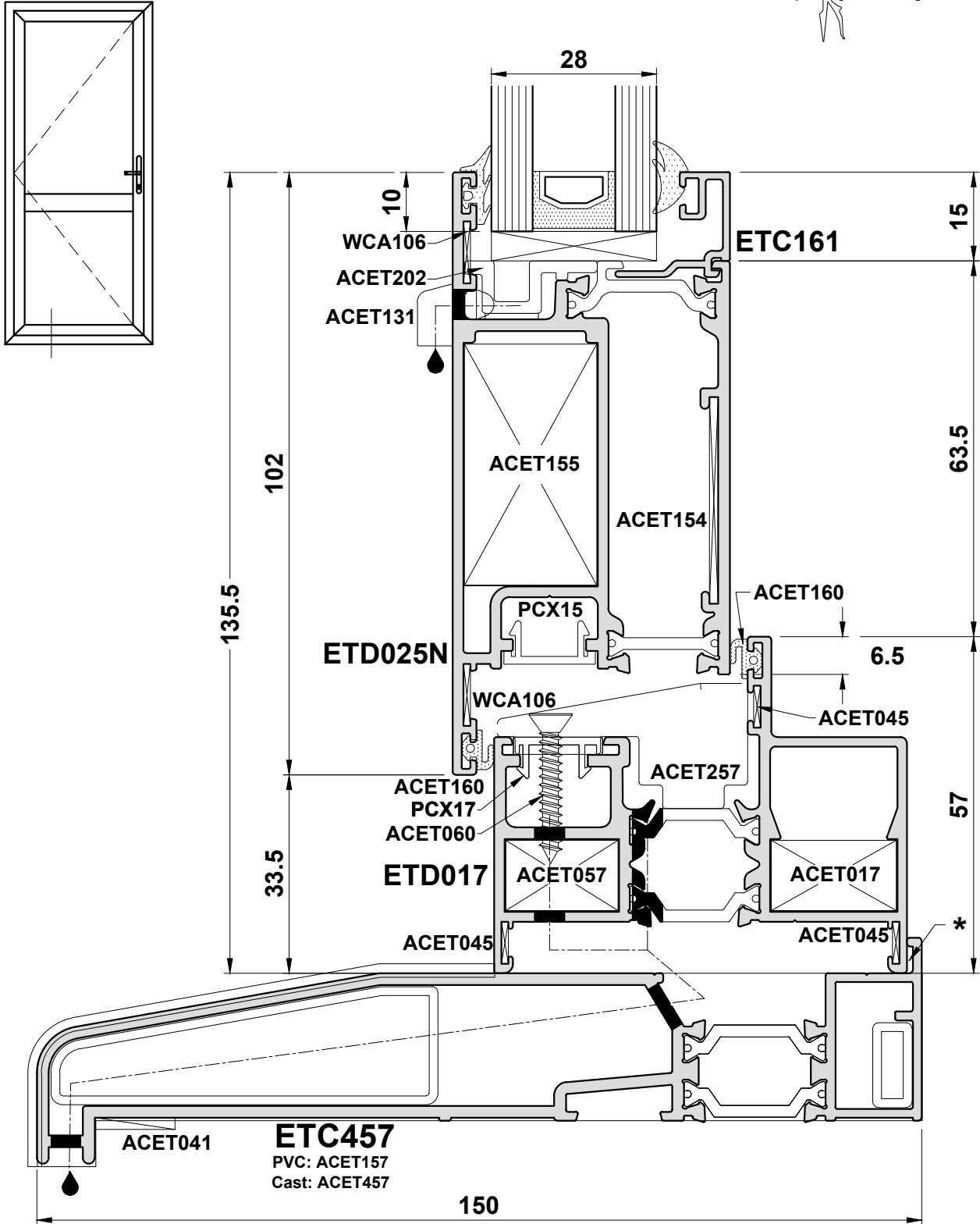
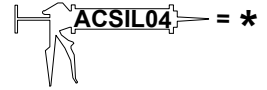
Do Not Scale From This Drawing

Detail 17a



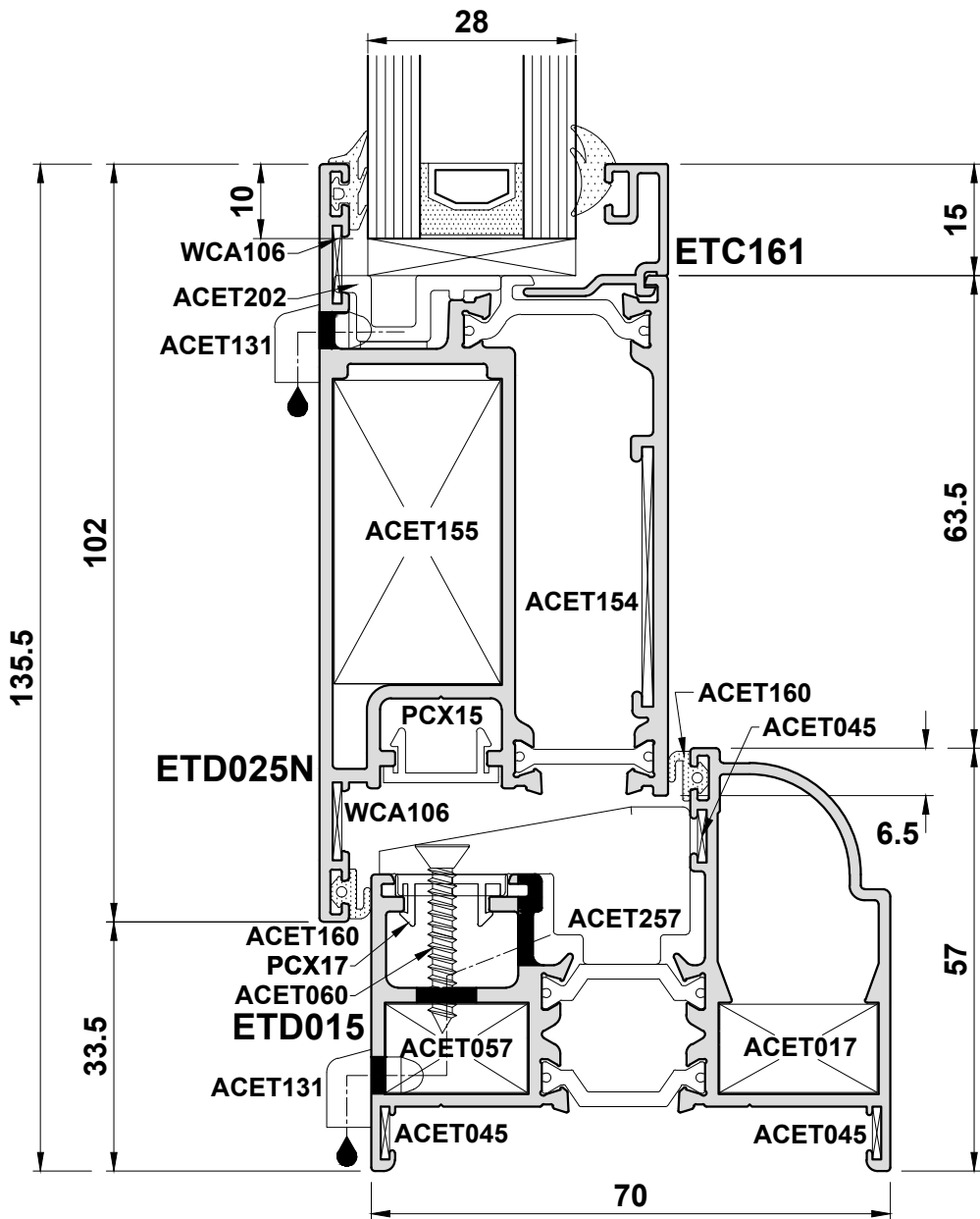
Do Not Scale From This Drawing

Detail 17b



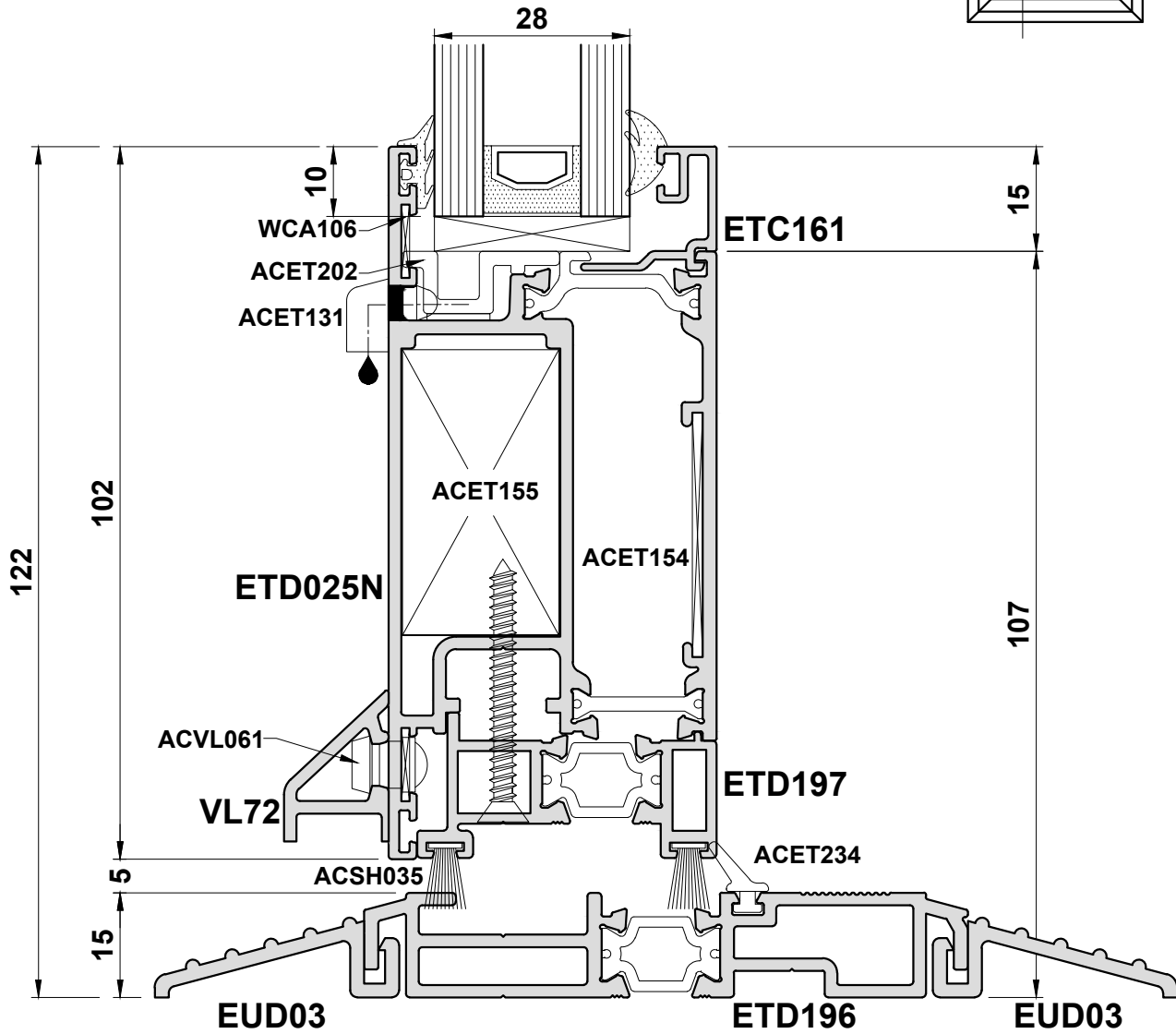
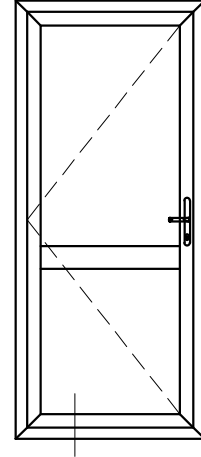
Do Not Scale From This Drawing

Detail 17c



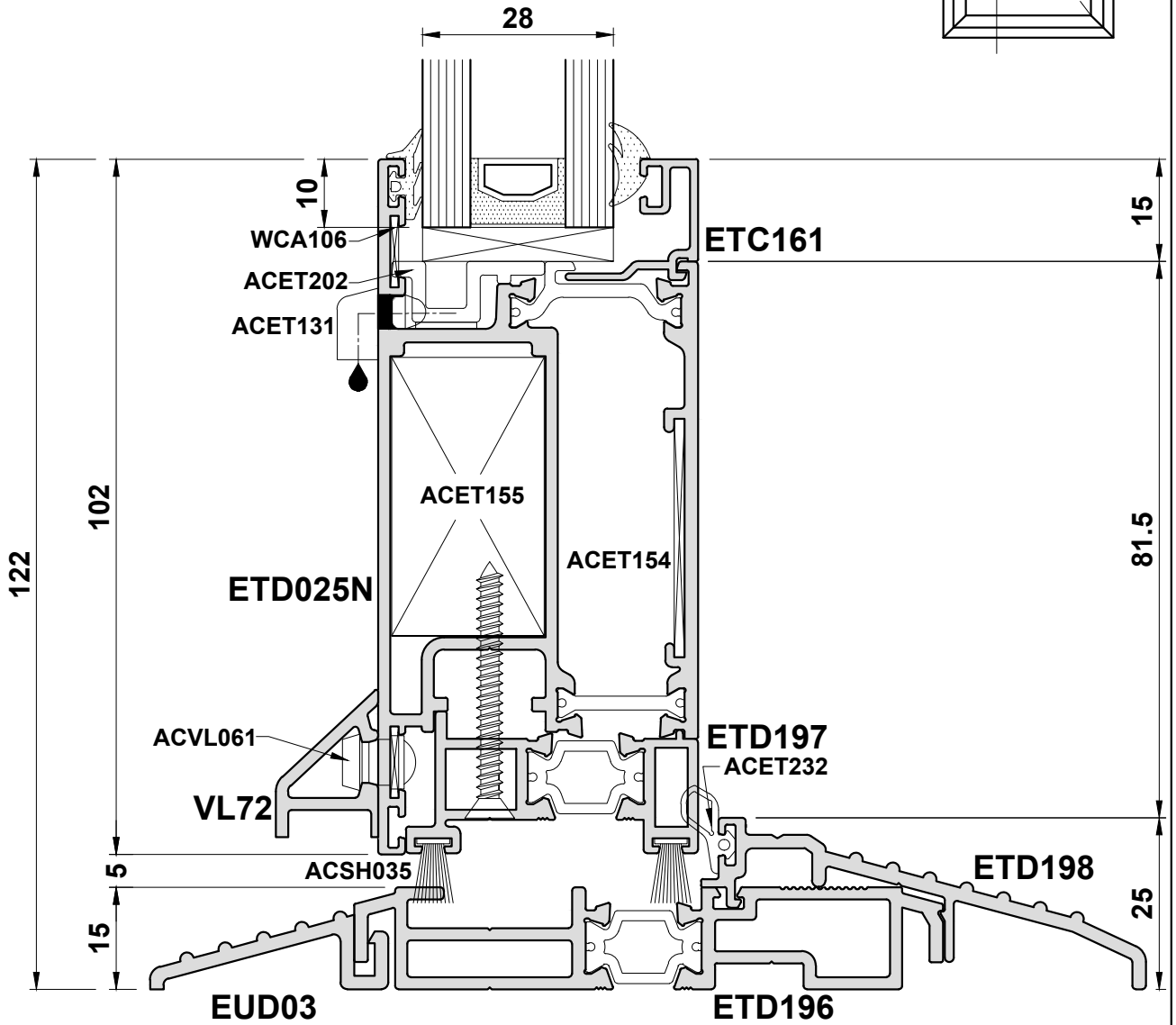
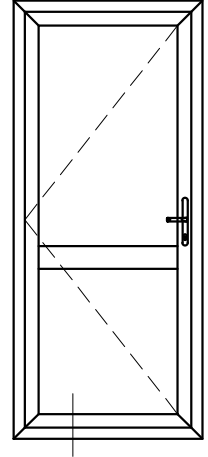
Do Not Scale From This Drawing

Detail 17d



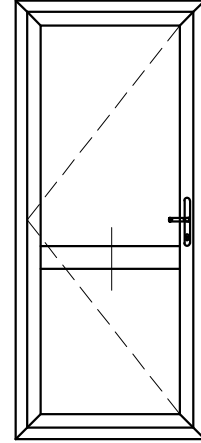
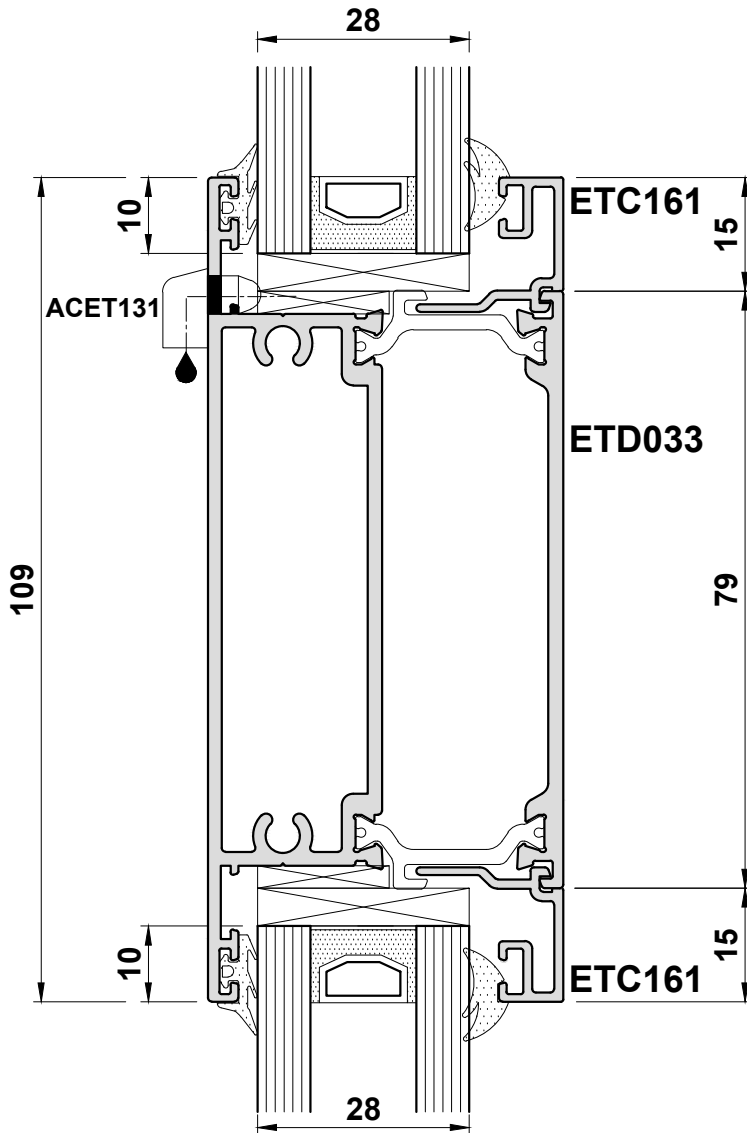
Do Not Scale From This Drawing

Detail 17e



Do Not Scale From This Drawing

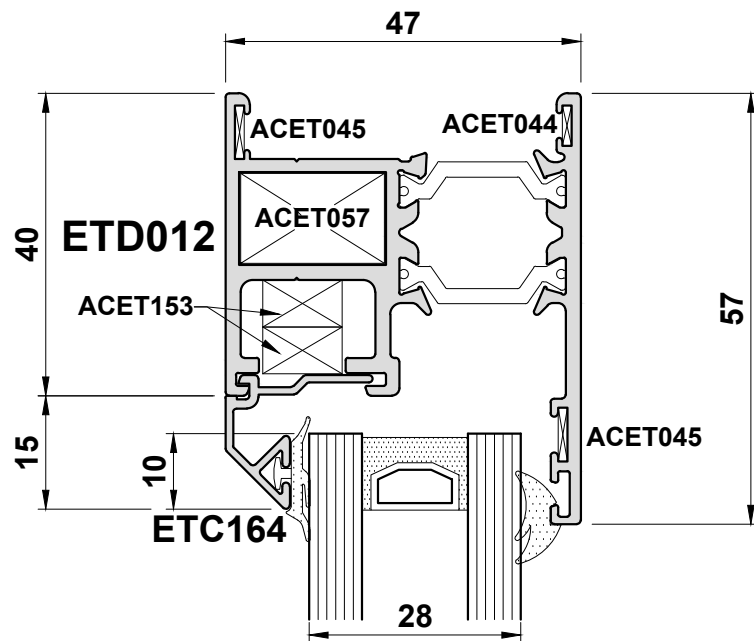
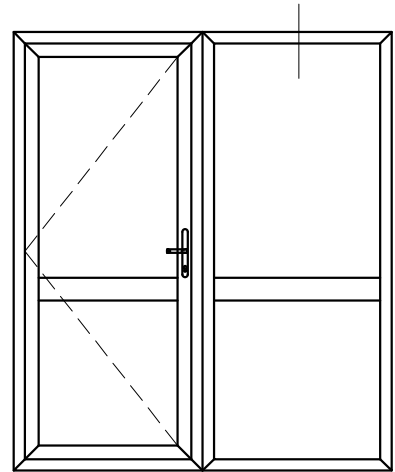
Detail 18



Note: Midrail will drain through the join to the stiles.

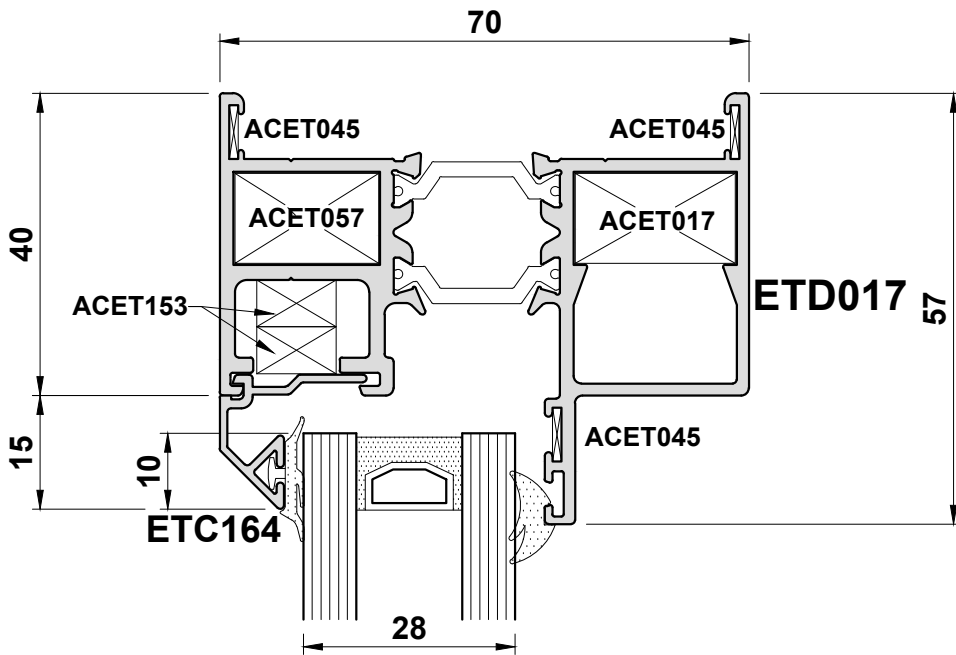
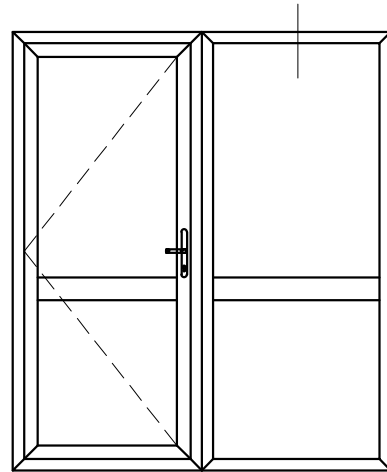
Do Not Scale From This Drawing

Detail 19a



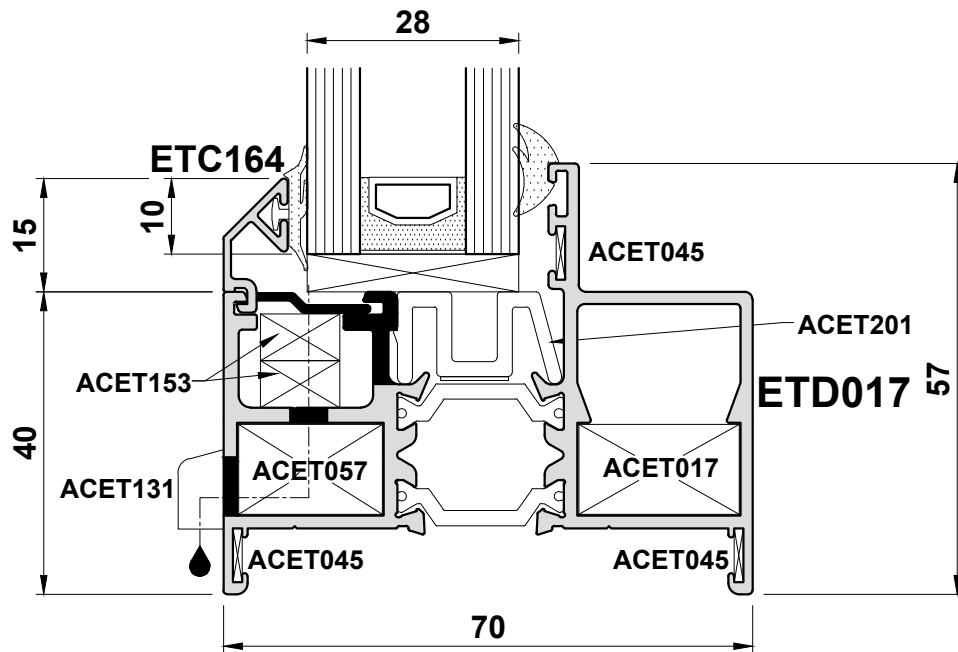
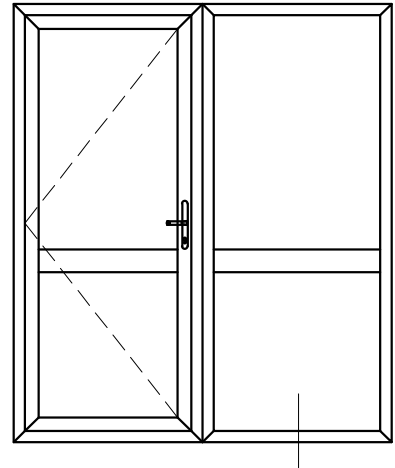
Do Not Scale From This Drawing

Detail 19b



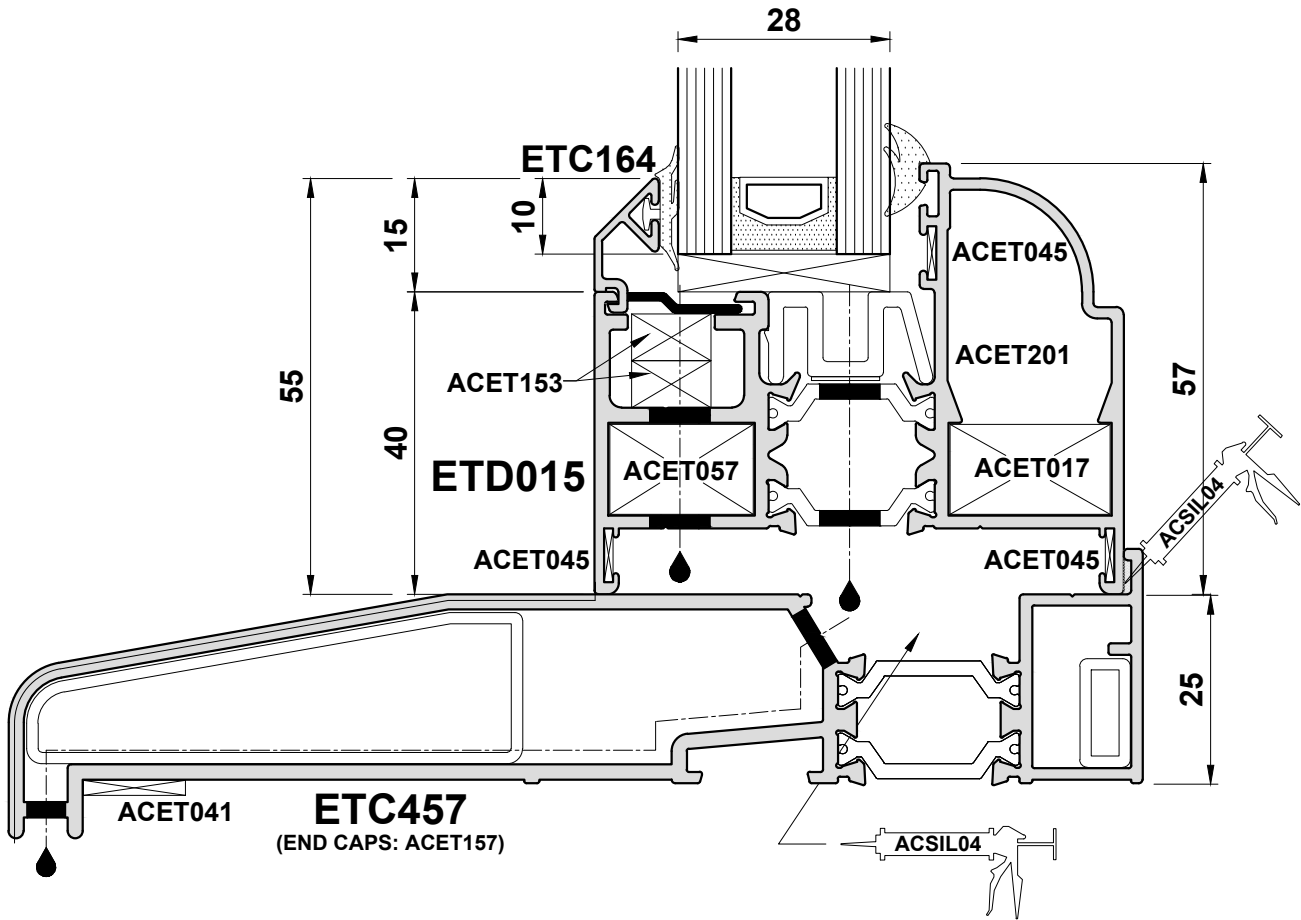
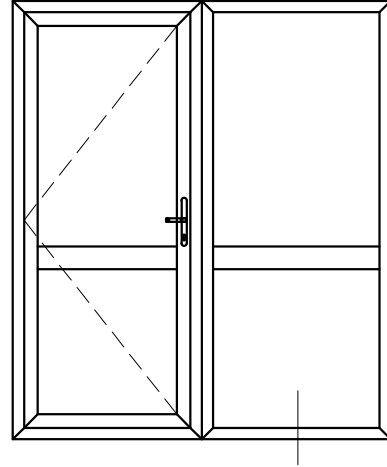
Do Not Scale From This Drawing

Detail 20a



Do Not Scale From This Drawing

Detail 20b



Do Not Scale From This Drawing

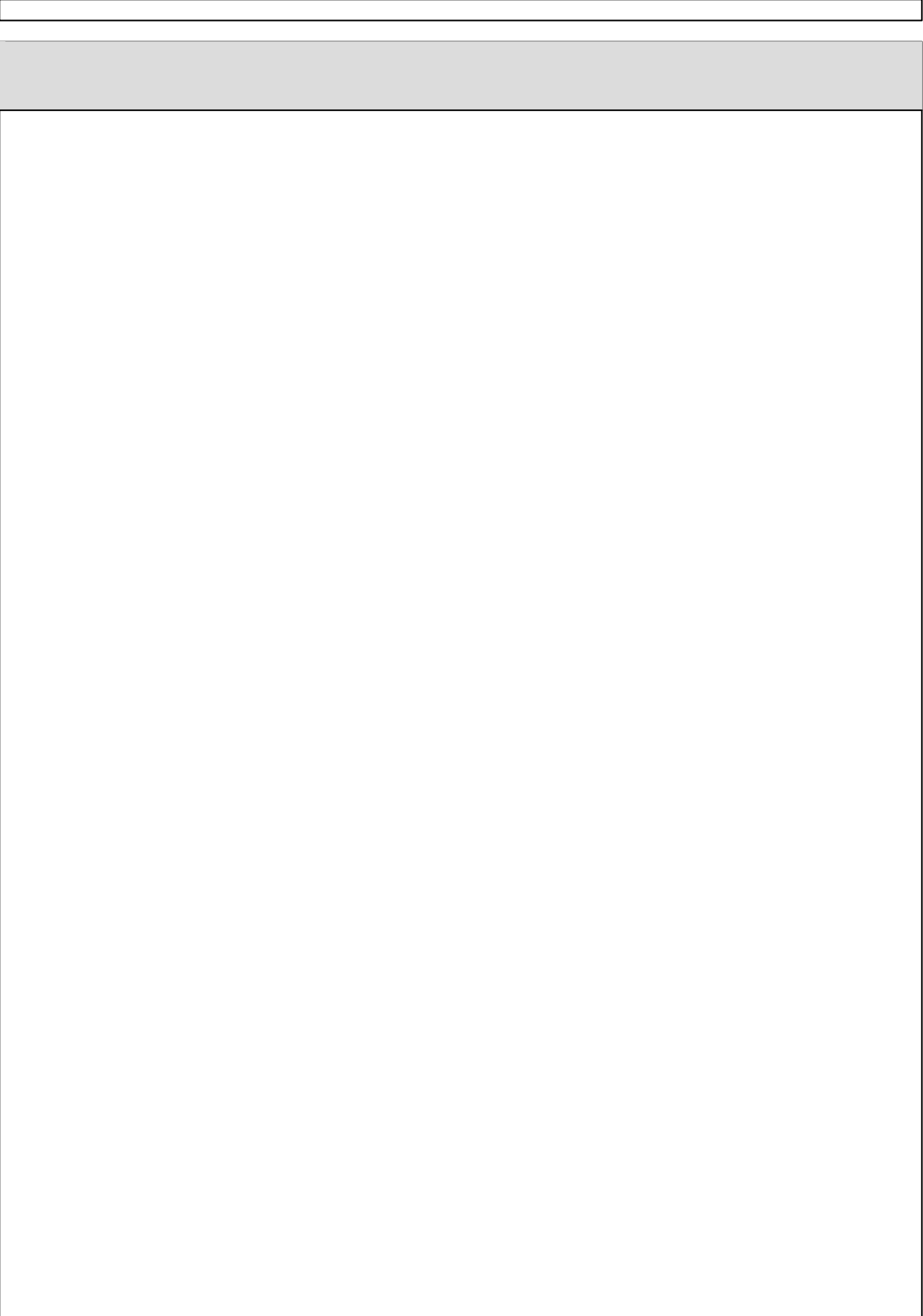
Section D

Statics

Open Out & In

General Size Limitations are shown on Page A05.

**For Wind Loading Limitations, Please Contact
The Technical Department - T: 01934 876100**



Section E



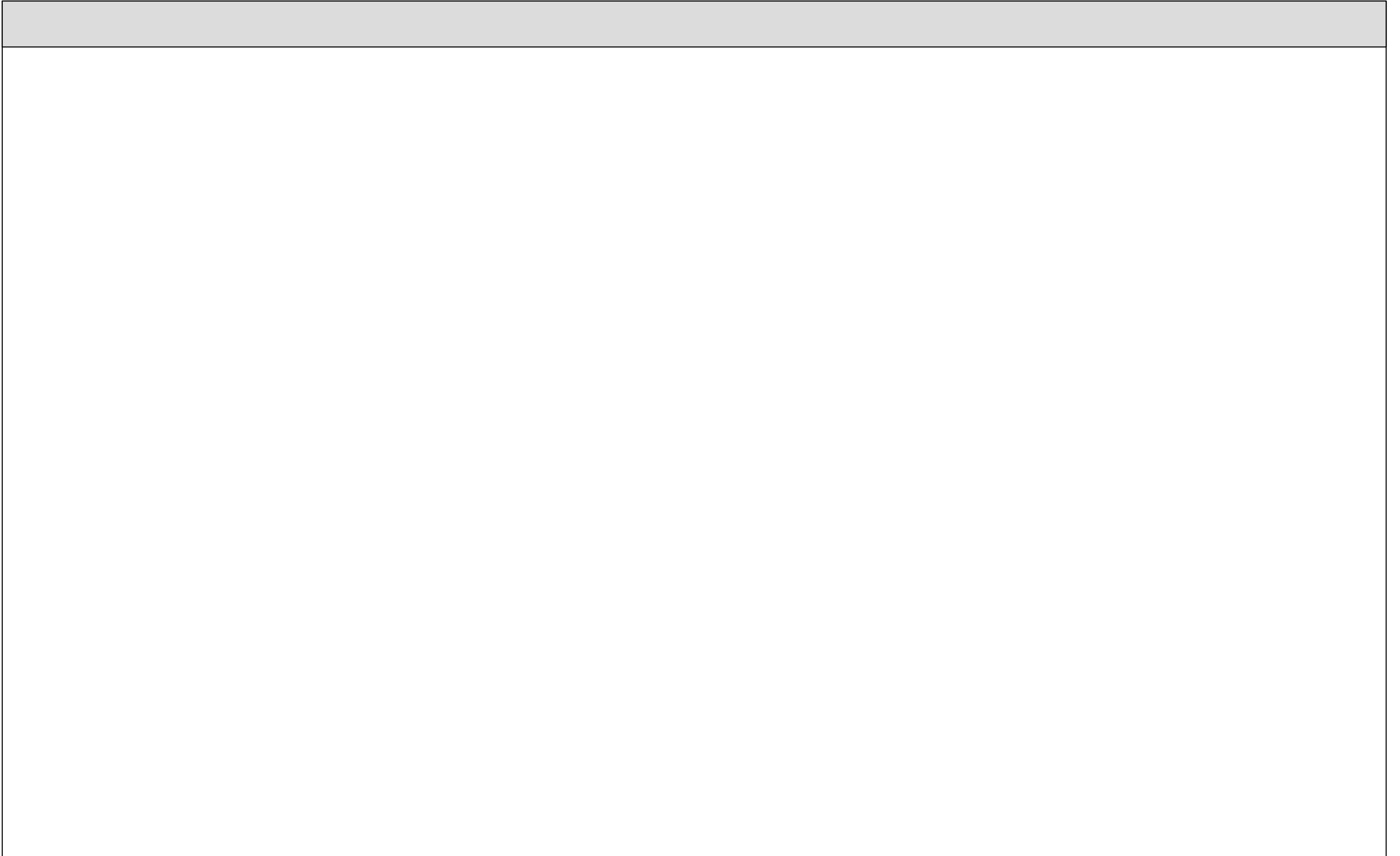
Construction Drawings - Open In

Corner Joint Details.....	E03 - E06
Drainage.....	E07 - E08
Mullion & Mid Rail.....	E09 - E11
Hinges.....	E12 - E13
Lock Selection & Installation.....	E14 - E20
ETD048 & ETD197 Preparation & End Caps.....	E21
Letter Plate.....	E22
Glazing Details.....	E23
ACET149.....	E24
Example Layout.....	E25
PAS24:2016 Accessories & Position.....	E26 & E27

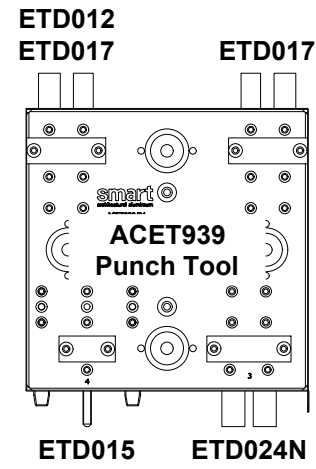


Construction Drawings - Open Out

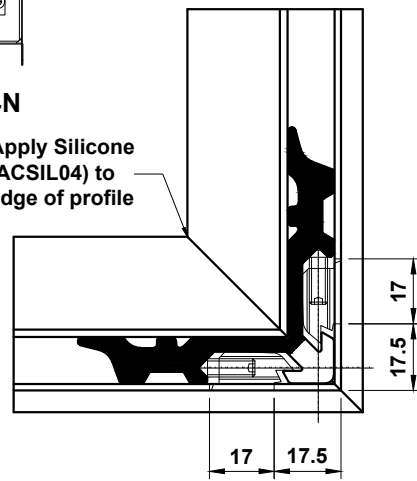
Corner Joint Details.....	E31 - E34
Drainage.....	E35 - E36
Mullion & Mid Rail.....	E37 - E39
Hinges.....	E40 - E41
Lock Selection & Installation.....	E42 - E46
ETD048 & ETD197 Preparation & End Caps.....	E47
Letter Plate.....	E48
Glazing Details.....	E49
ACET149.....	E50
Example Layout.....	E51
PAS24:2016 Accessories & Position.....	E52 & E53
Fixing Strap Guide.....	E54



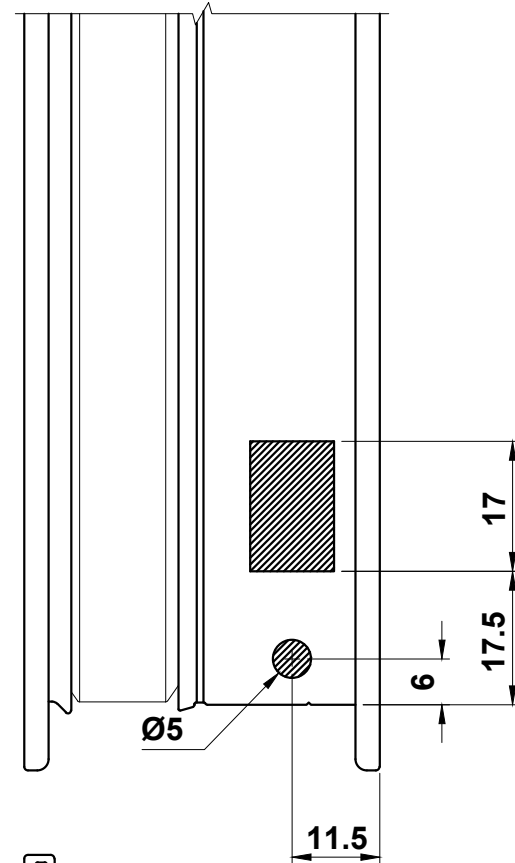
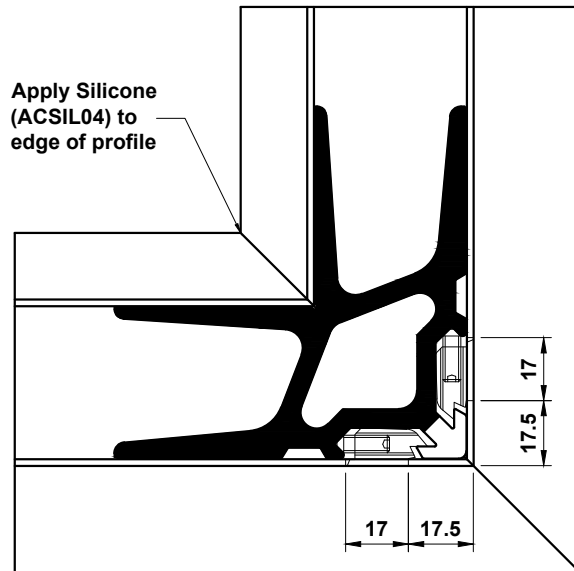
Corner Joint Details



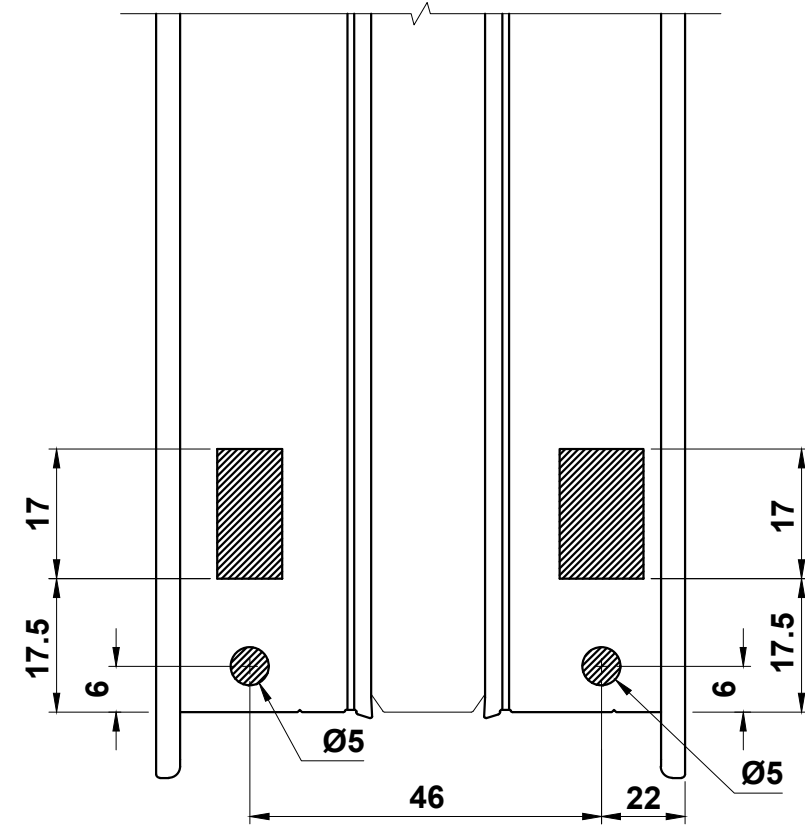
Apply Silicone (ACSIL04) to edge of profile



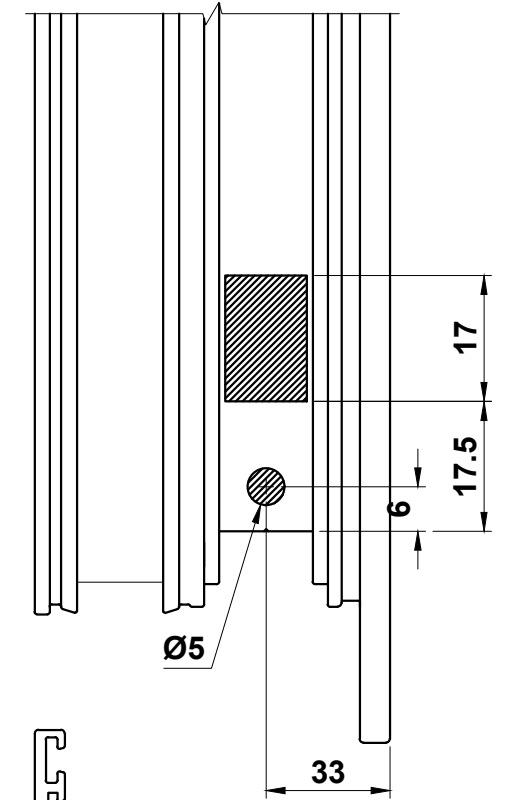
Apply Silicone (ACSIL04) to edge of profile



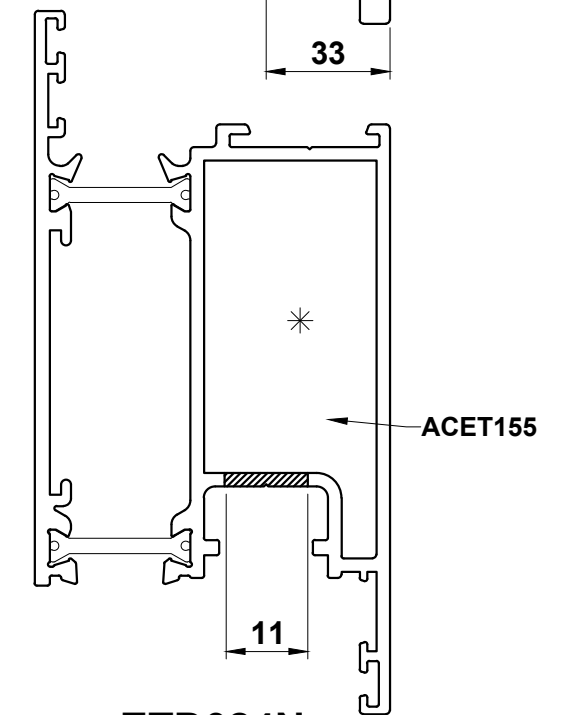
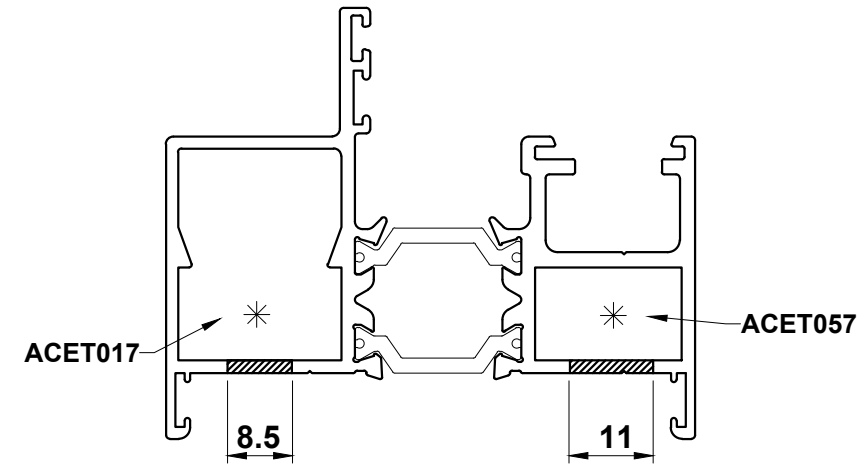
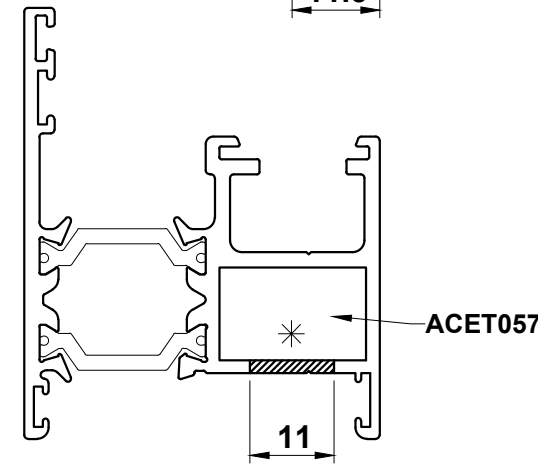
ETD012
47mm Outframe



ETD015
70mm Ovolo Outframe
ETD017
70mm Square Outframe



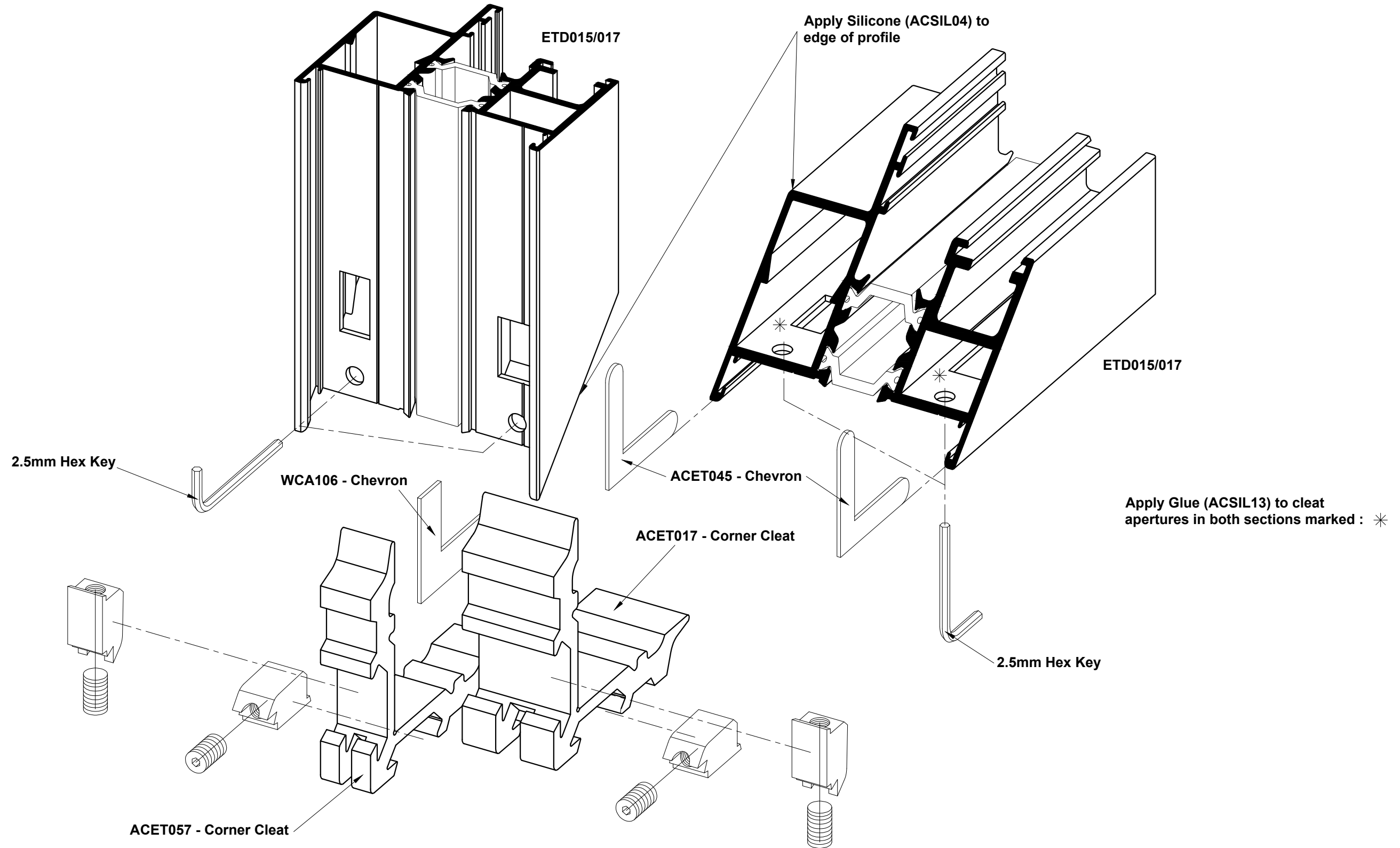
ETD024N
Open In Sash



Apply Glue (ACSIL013) to cleat aperture marked : *

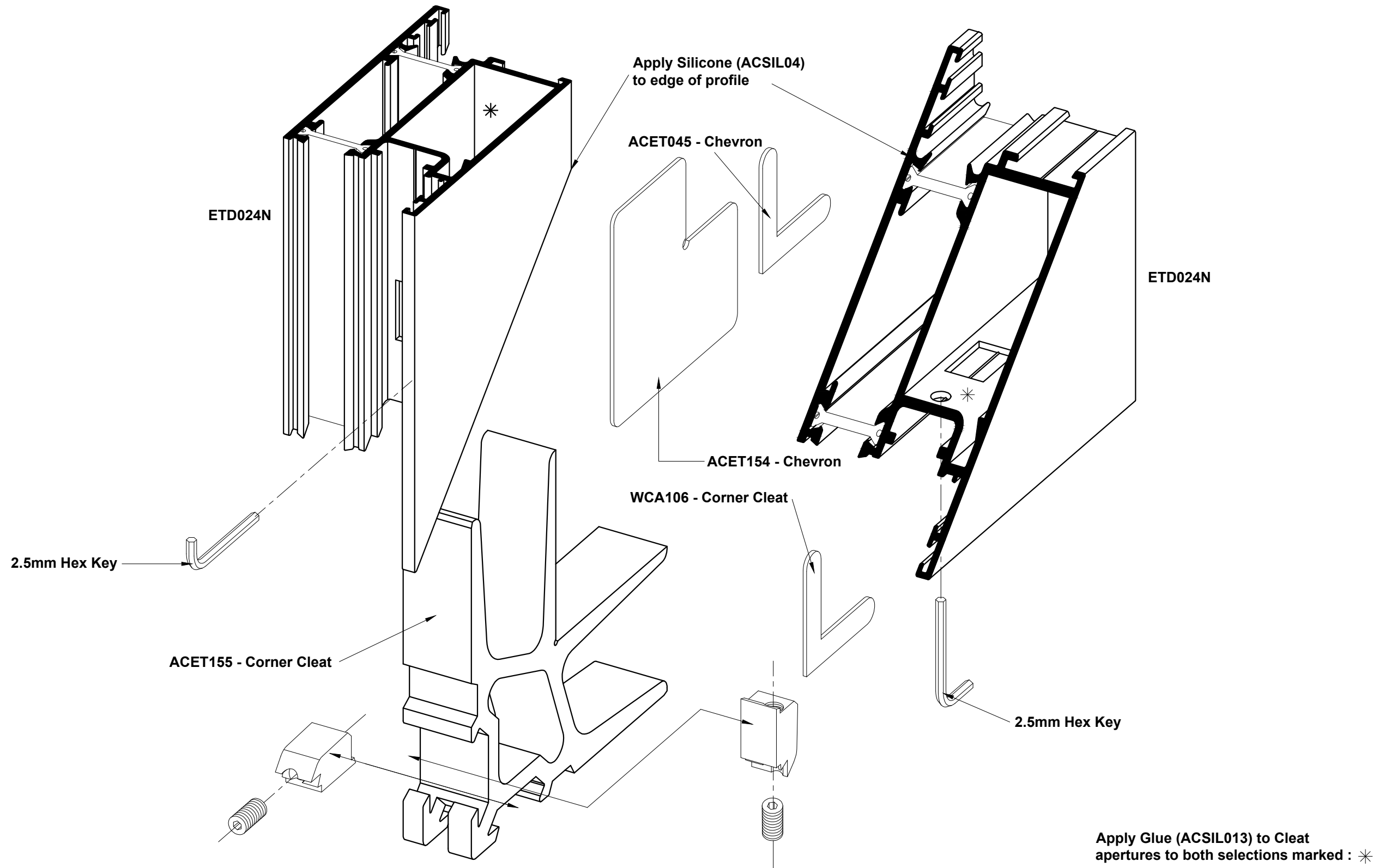
Do Not Scale From This Drawing

Outerframe Corner Assembly



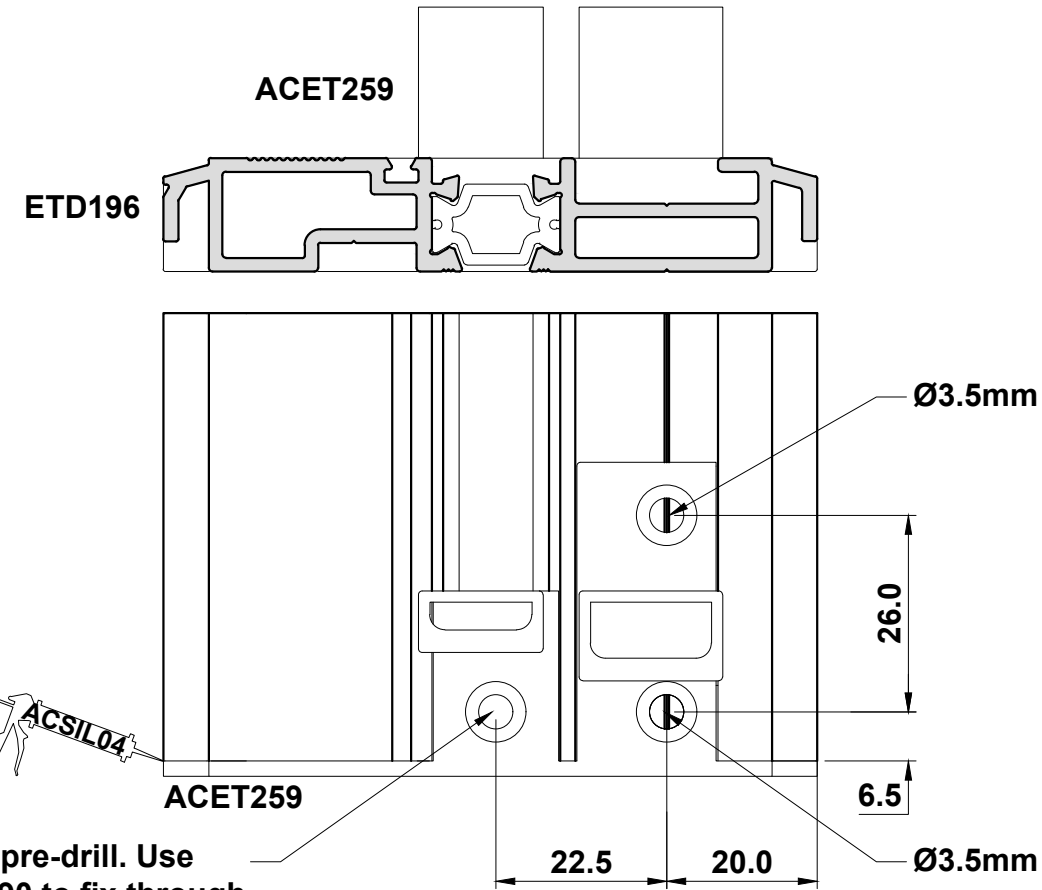
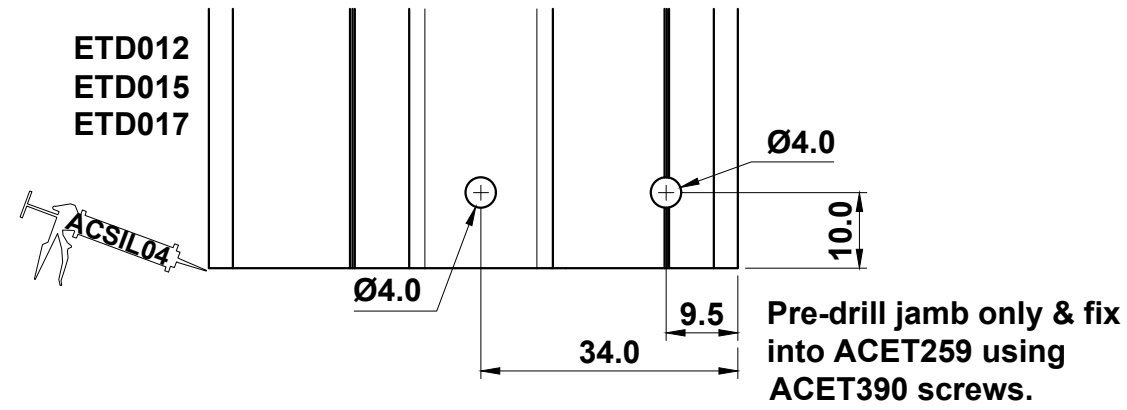
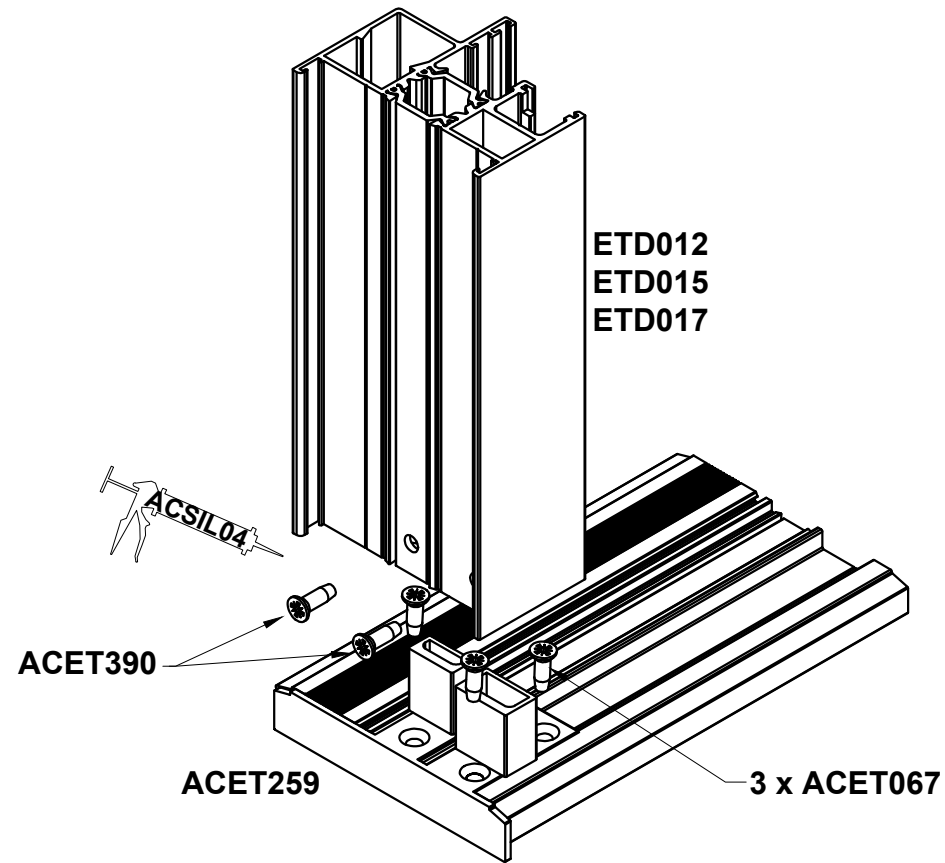
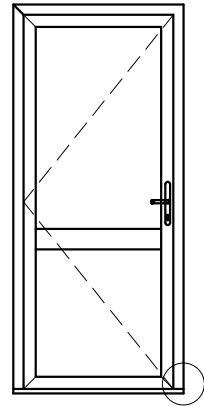
Do Not Scale From This Drawing

Sash Corner Assembly

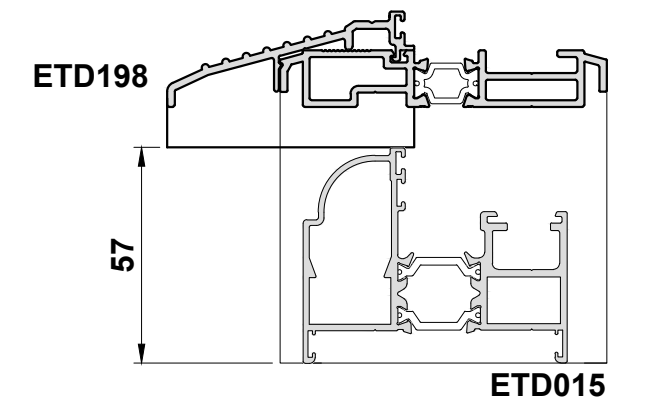
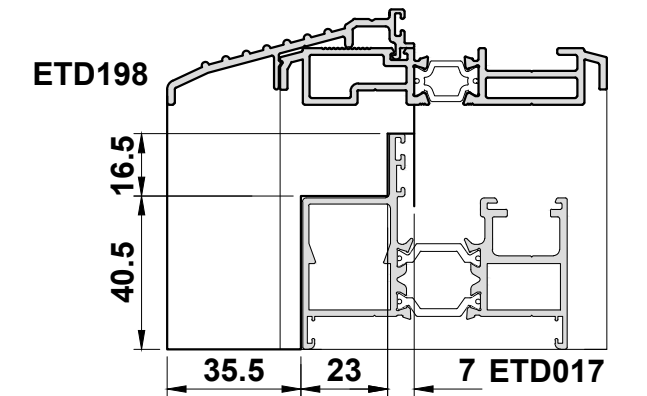
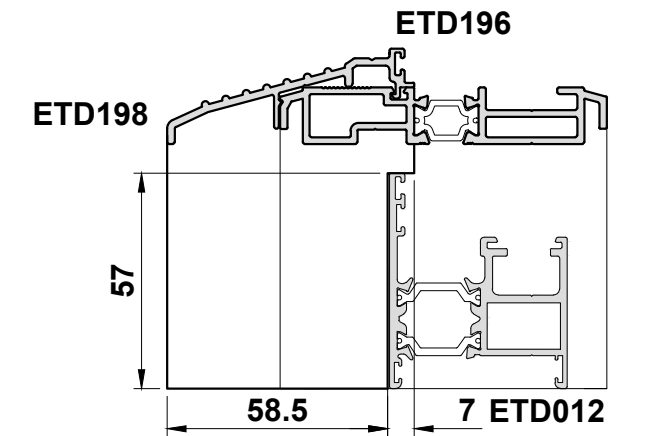
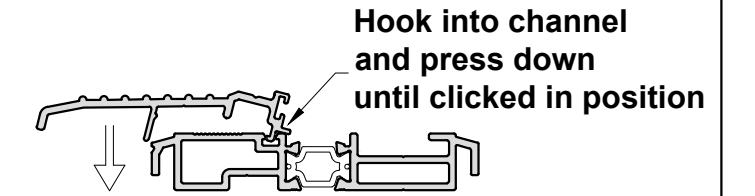


Do Not Scale From This Drawing

Low Threshold Preparation & Assembly

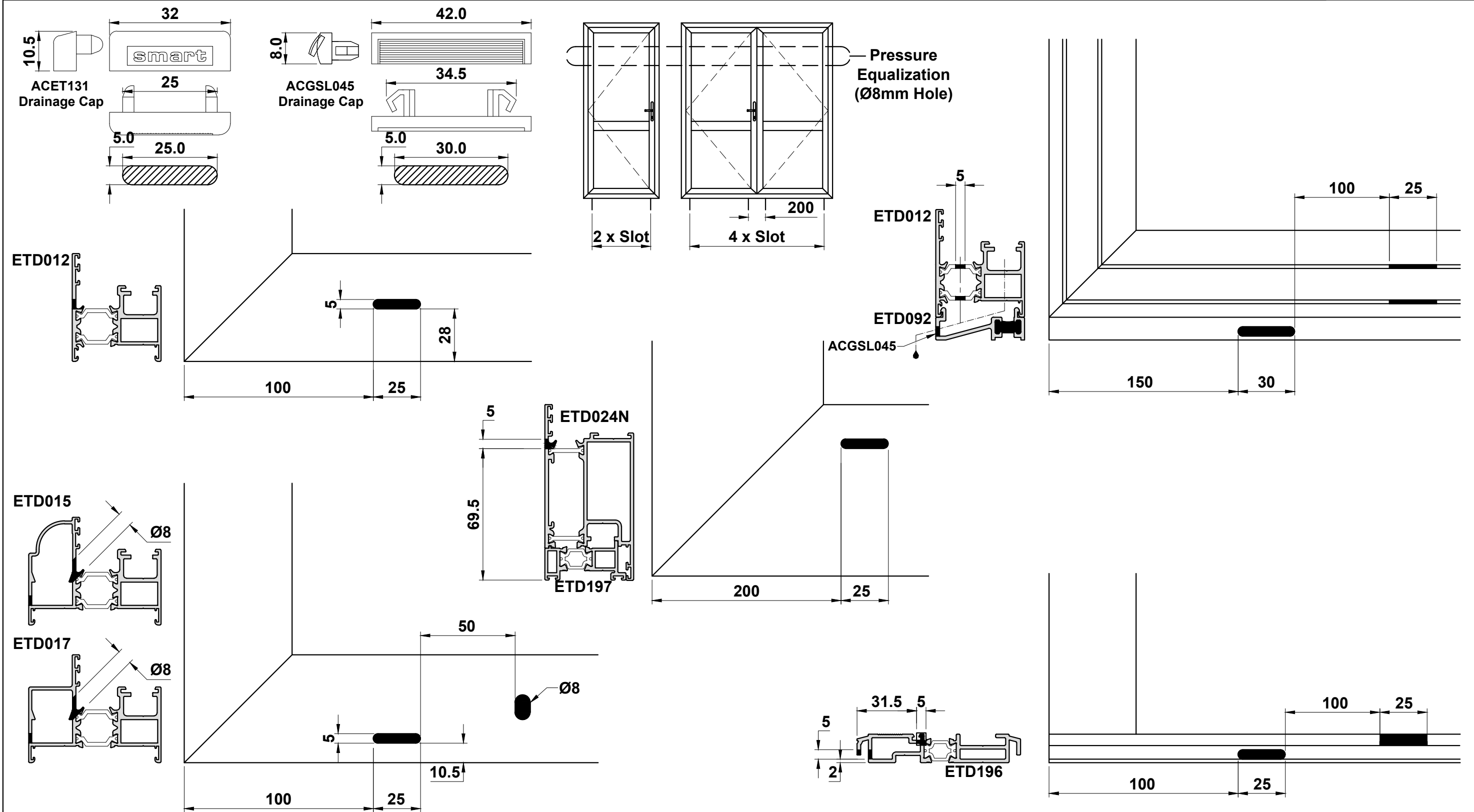


ETD198 Fitting



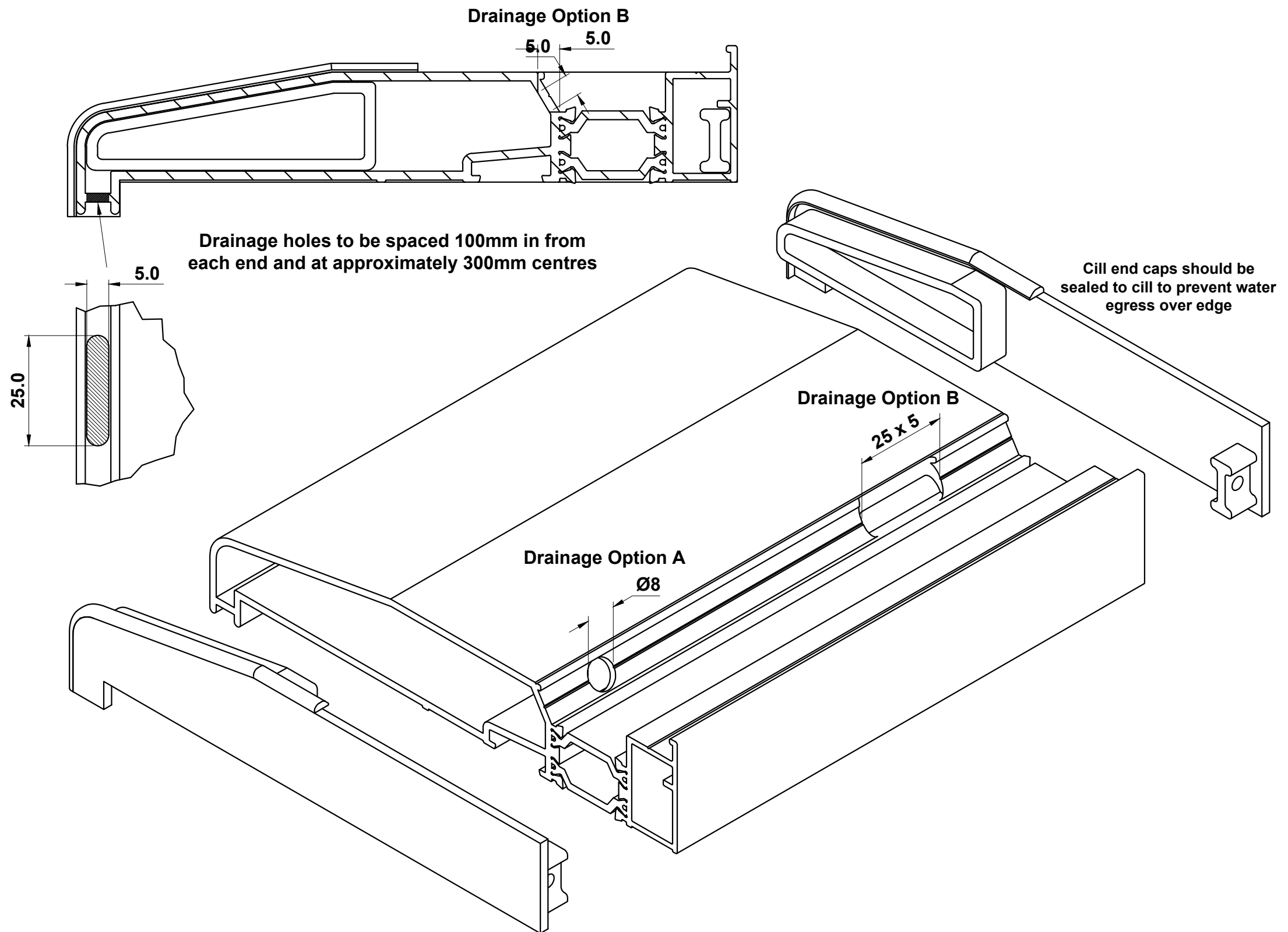
Do Not Scale From This Drawing

Drainage



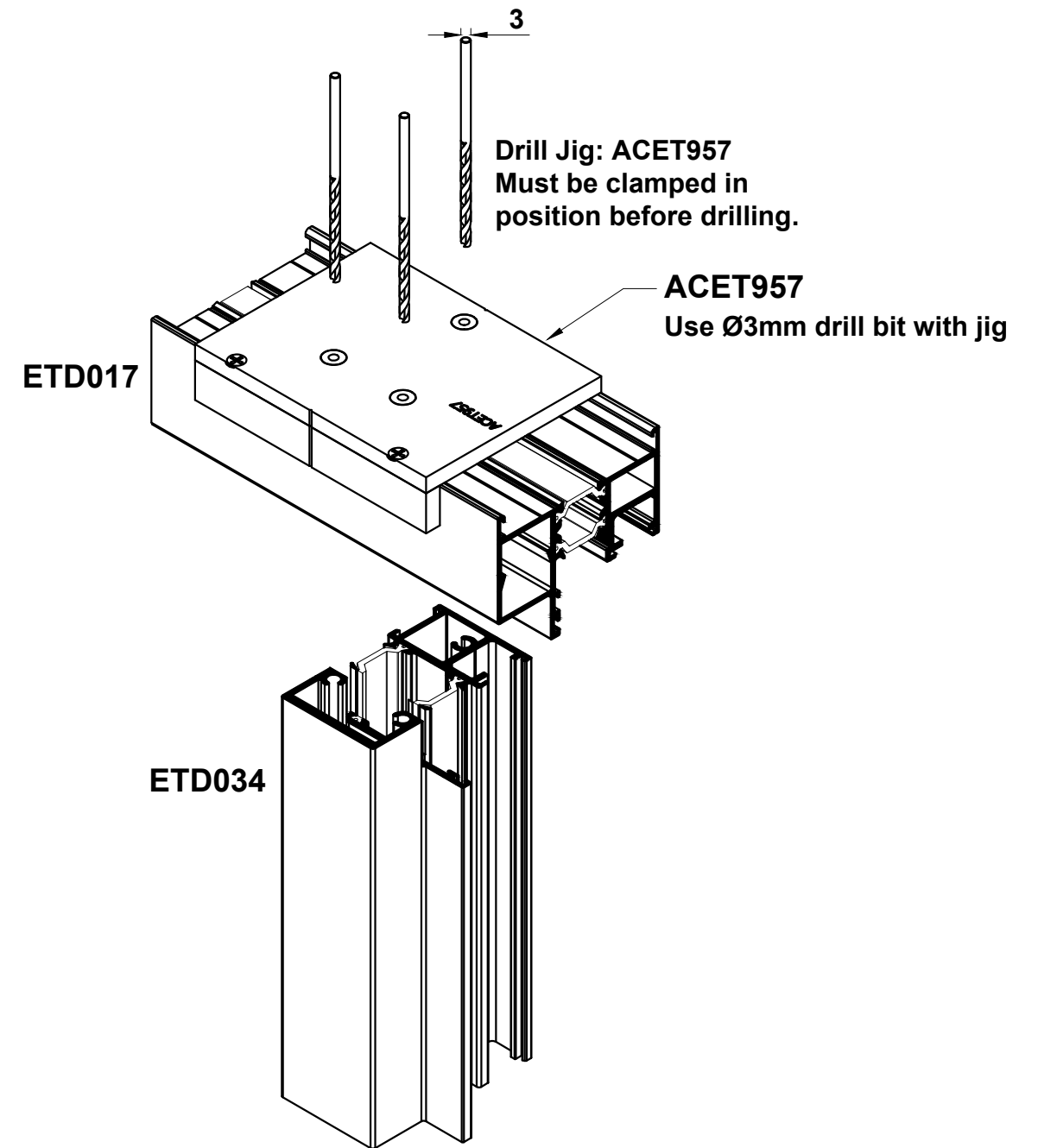
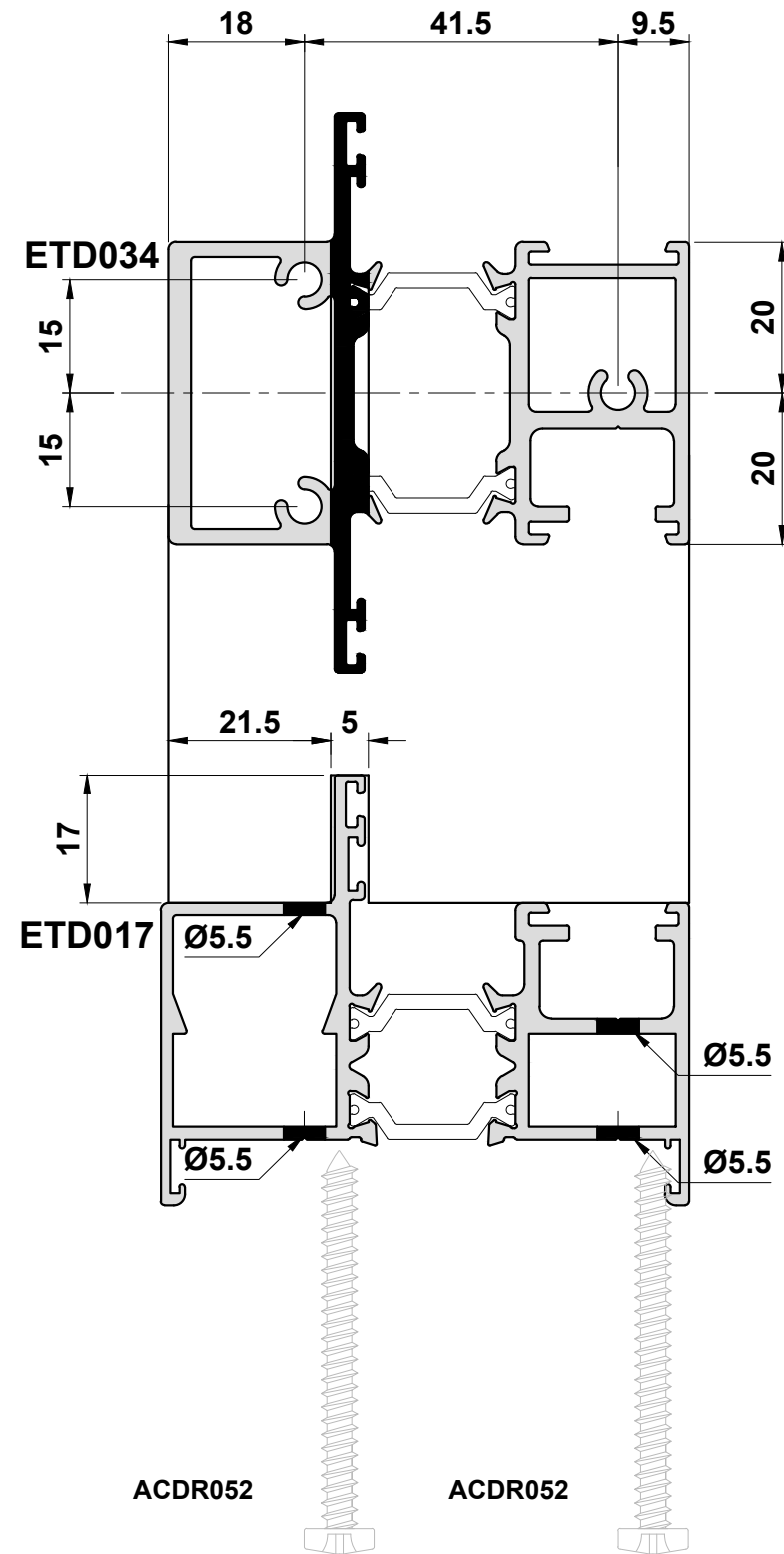
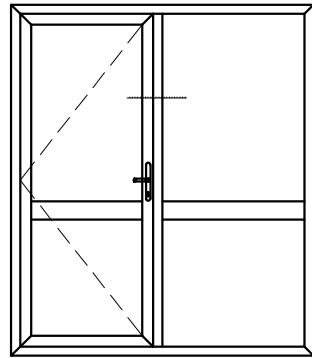
Do Not Scale From This Drawing

Cill Drainage Details

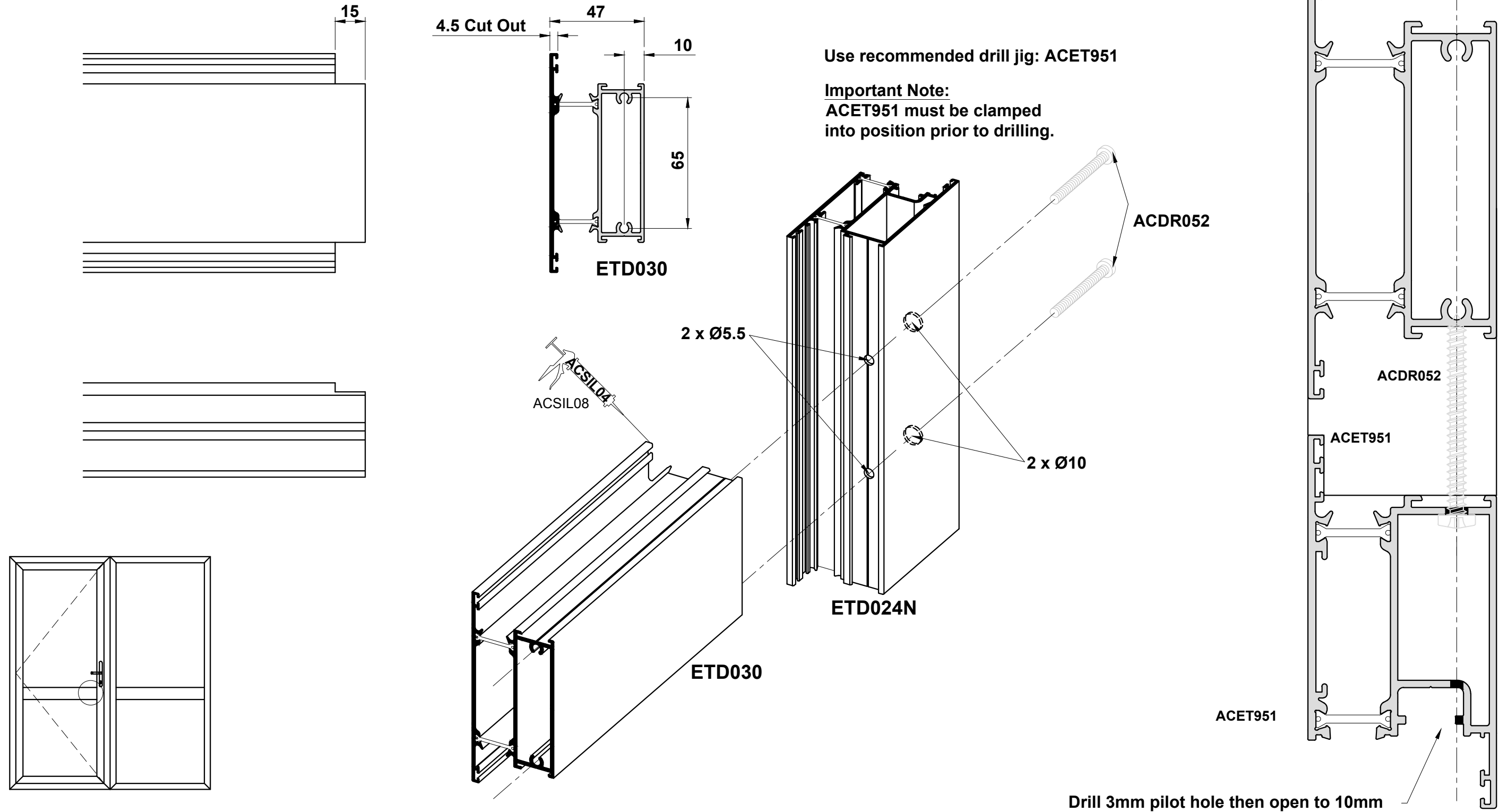


Do Not Scale From This Drawing

Mullion Preparation

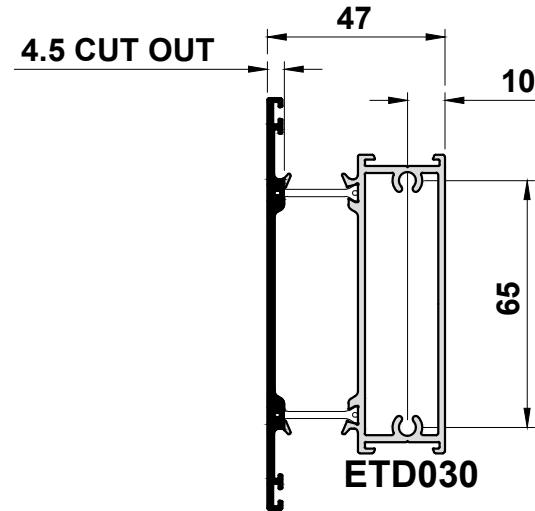
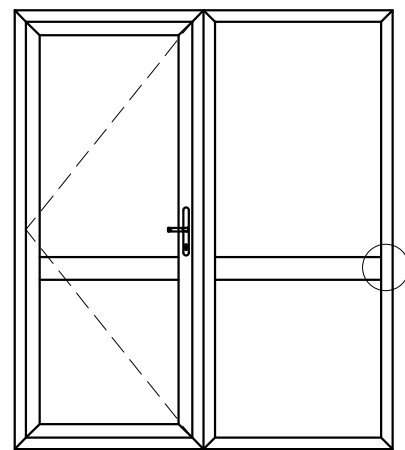
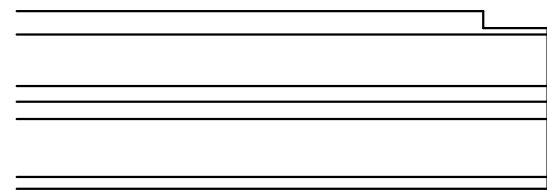
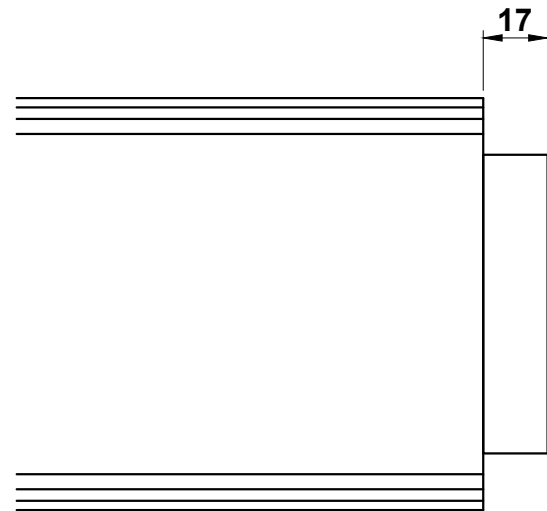


Mid Rail Preparation into Sash



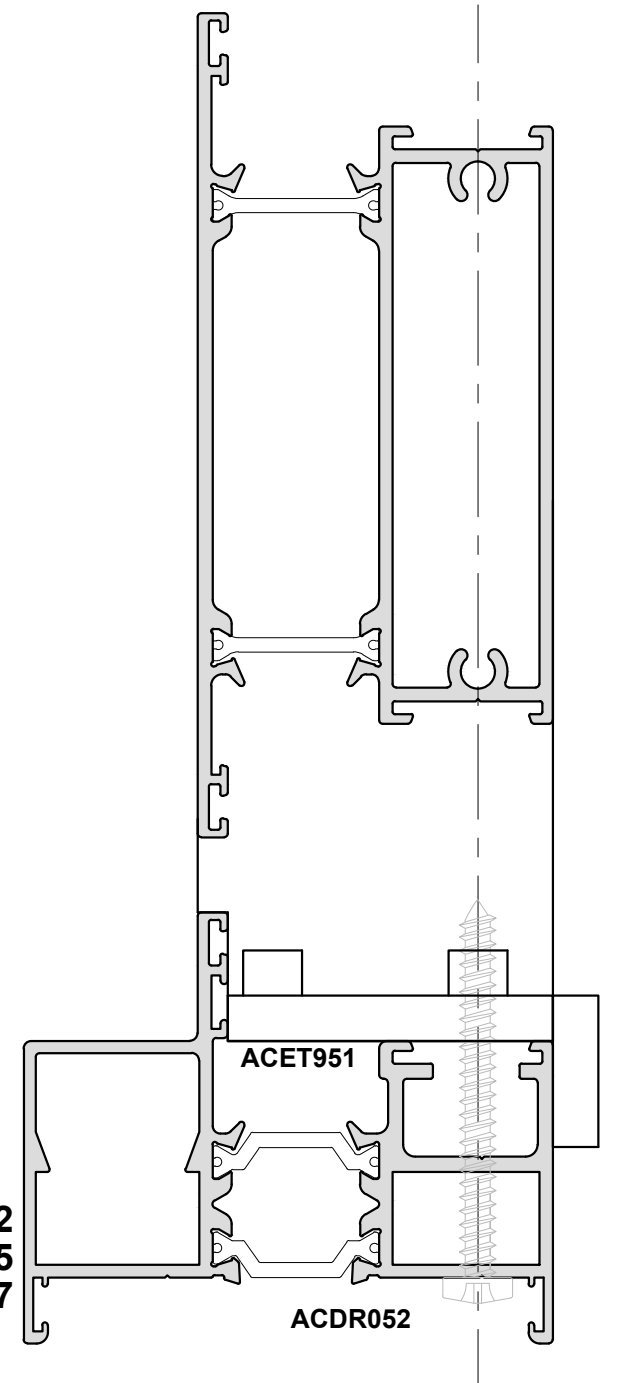
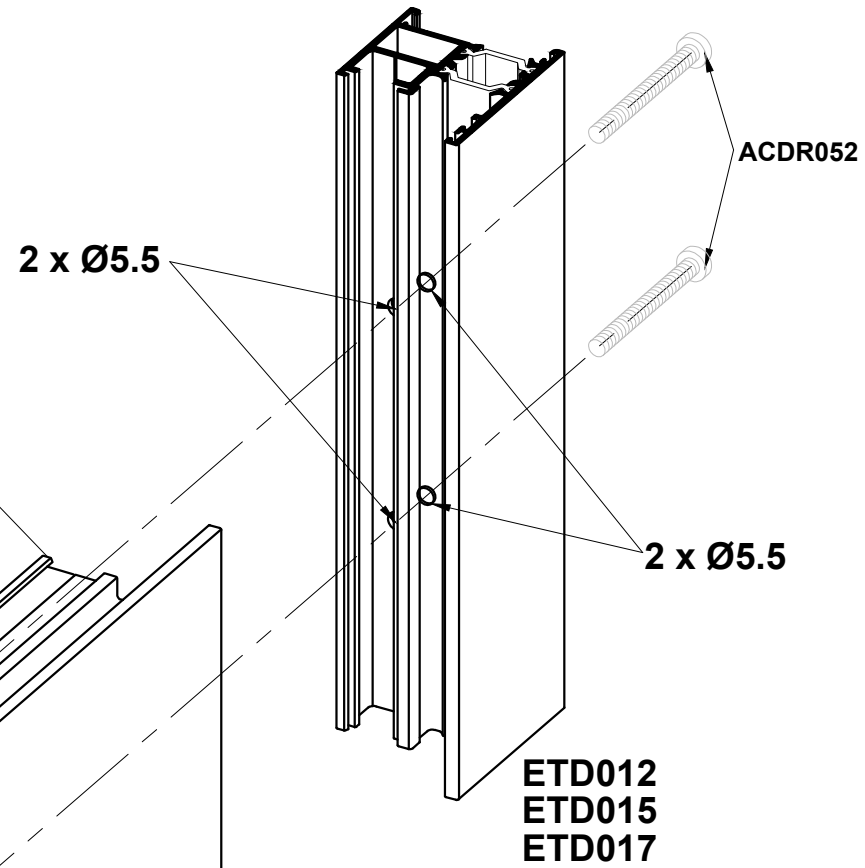
Do Not Scale From This Drawing

Mid Rail Preparation into Outerframe



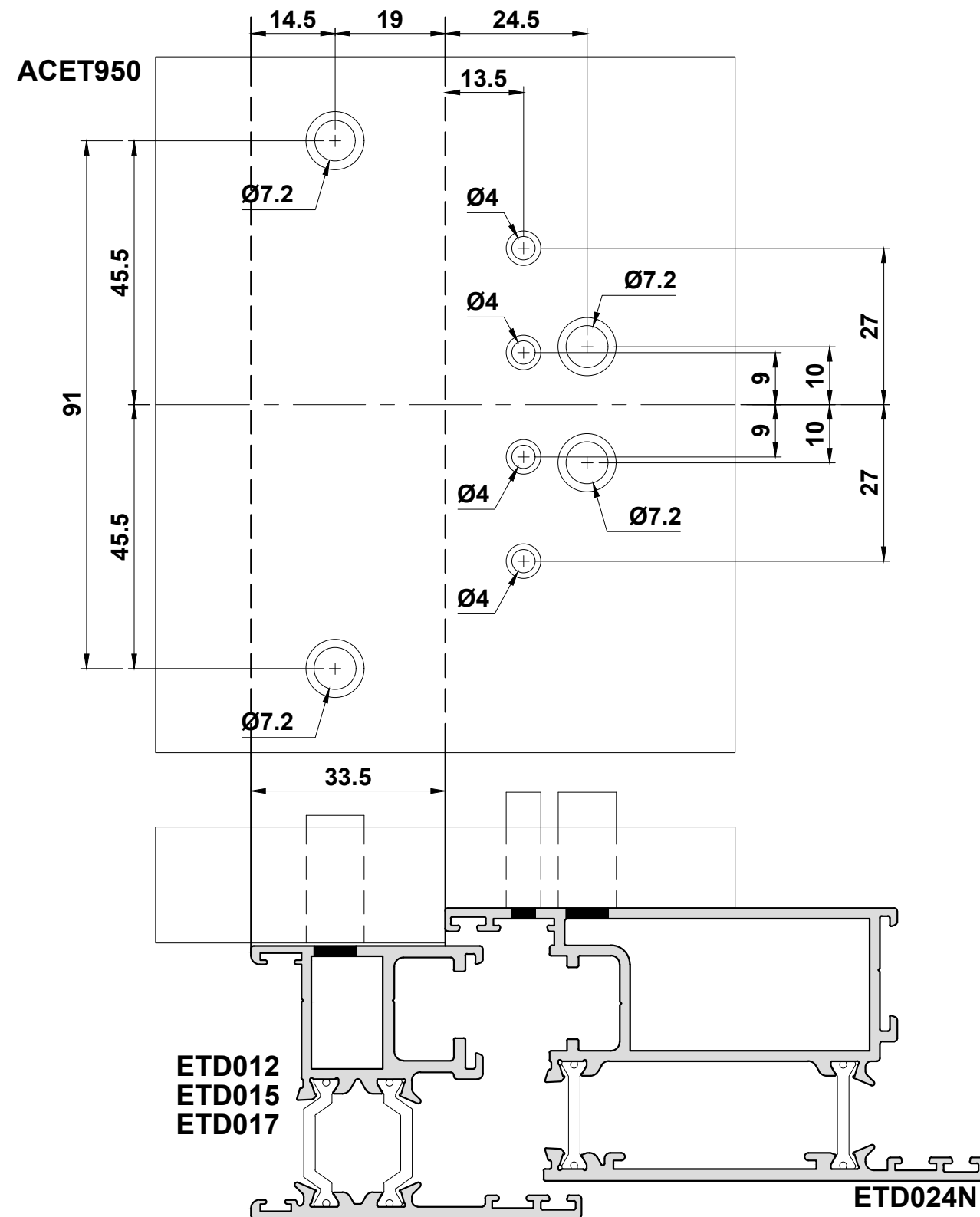
Use recommended drill jig: ACET951

Important Note:
ACET951 must be clamped into position prior to drilling.



Do Not Scale From This Drawing

ACET250 Hinge Fitting Details

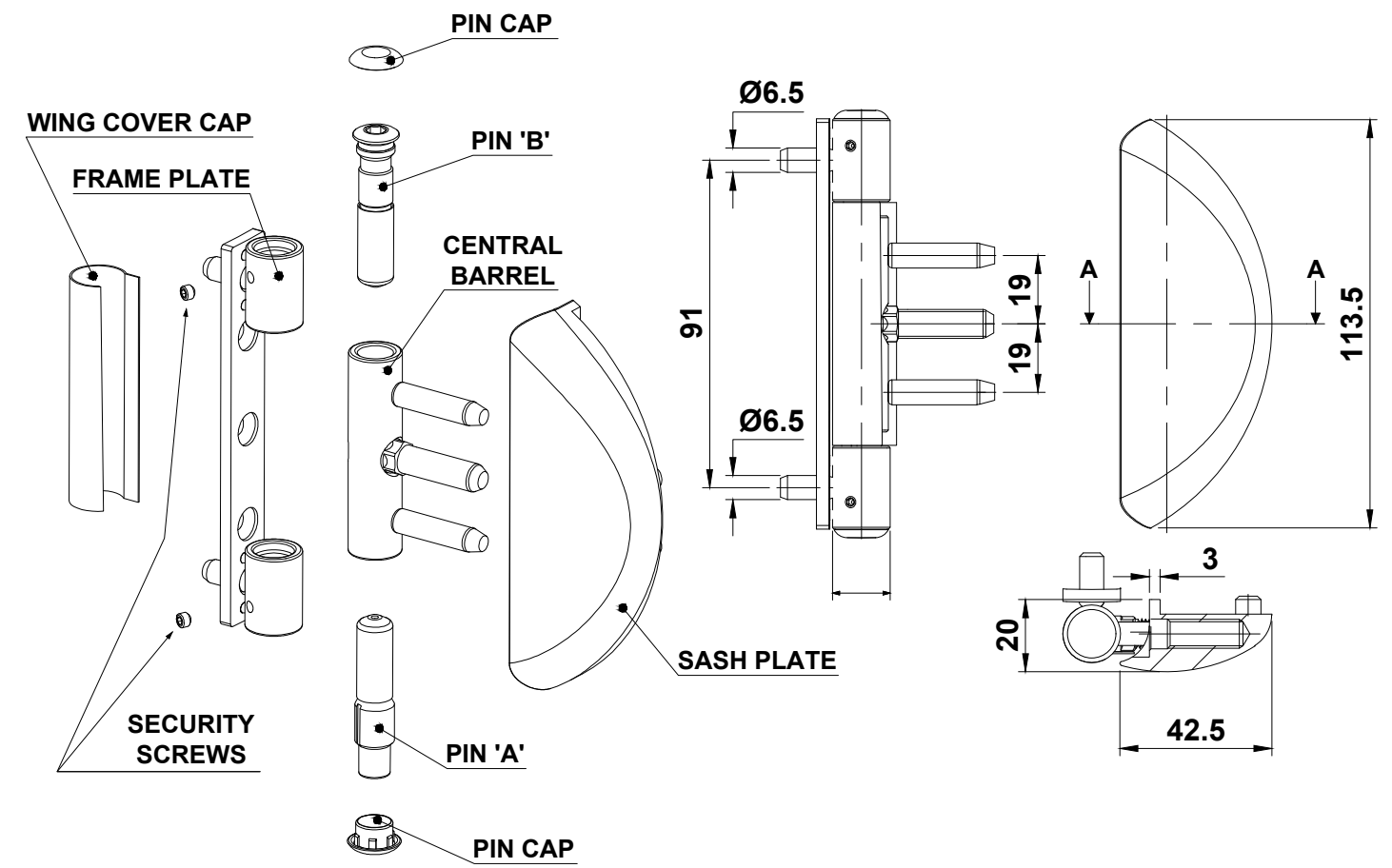
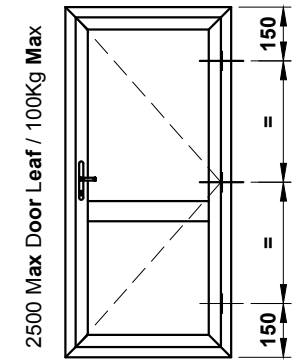


Fitting Instructions:

(Full instructions are supplied with each ACET250 Hinge)

1. Align outer frame and sash in correct position
2. Clamp drill jig ACET950 over the centre line of the hinge
3. Drill through all bushes marked '1' with a Ø7.2mm drill bit (supplied) and through all bushes marked '2' with a Ø4mm drill bit (not supplied)
4. Fasten the sash plate
5. Fasten the frame plate using ACIM062 screws ensuring the grub screws are positioned towards the door sash
6. Drive in the central barrel until it lines up with the rings on the frame plate
7. Drive in pin 'B' to the top of the hinge and then drive in pin 'A' to the bottom of the hinge
8. Open the door and lightly tighten the security screws
9. Adjust hinge as required then insert caps and cover caps.

UP TO 1000 DOOR LEAF



Do Not Scale From This Drawing

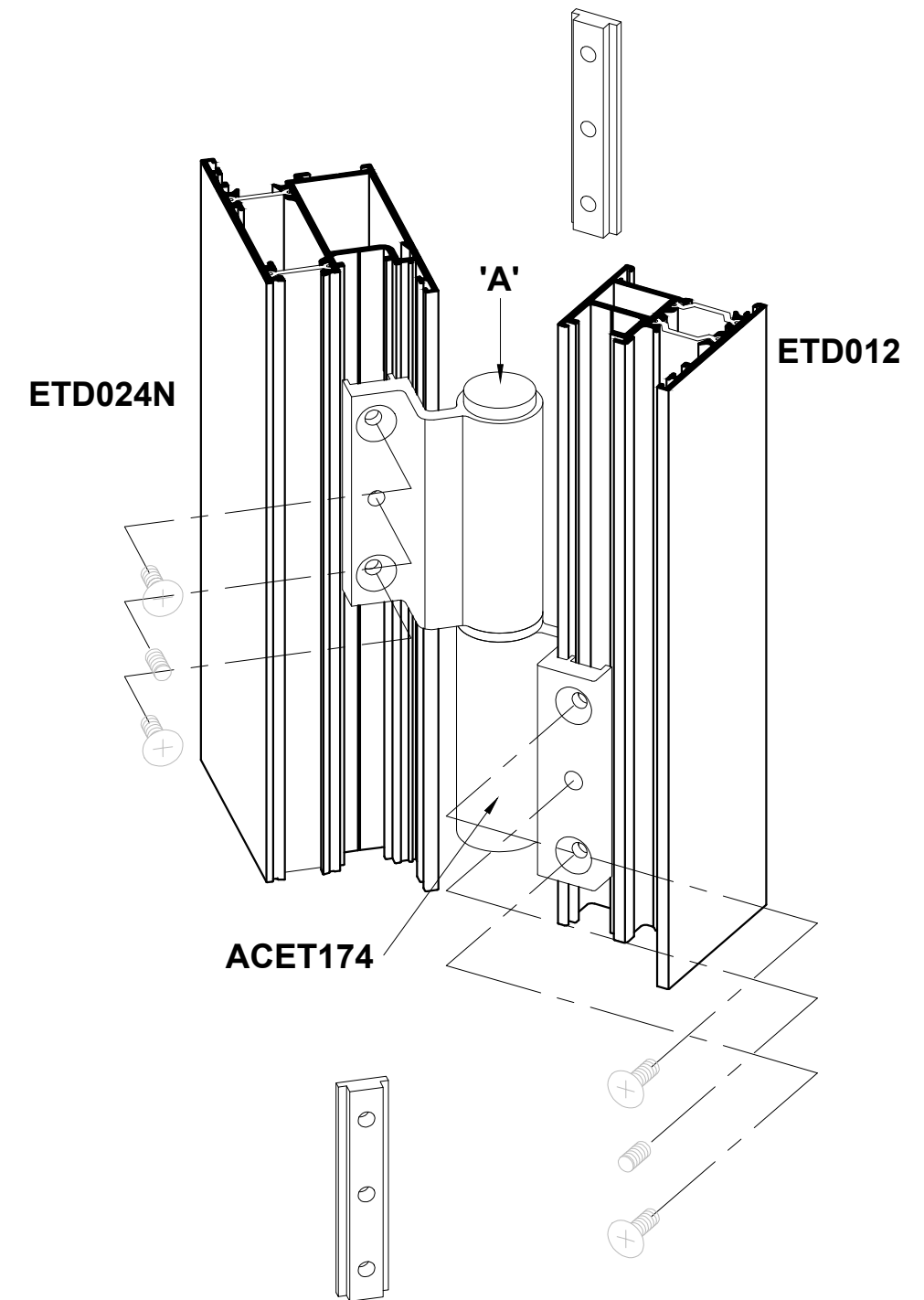
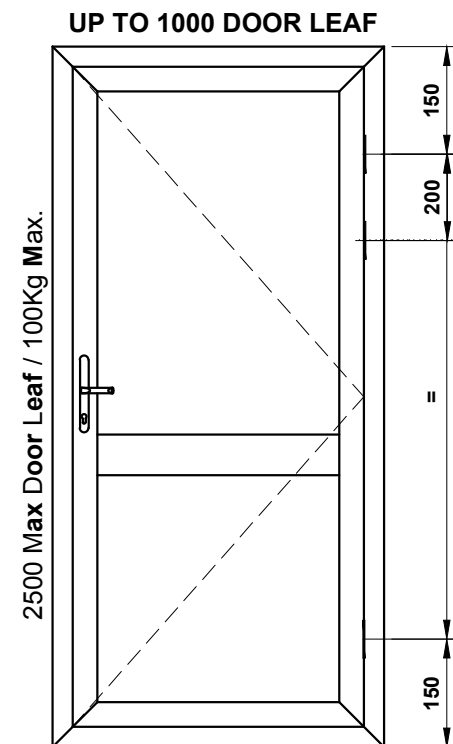
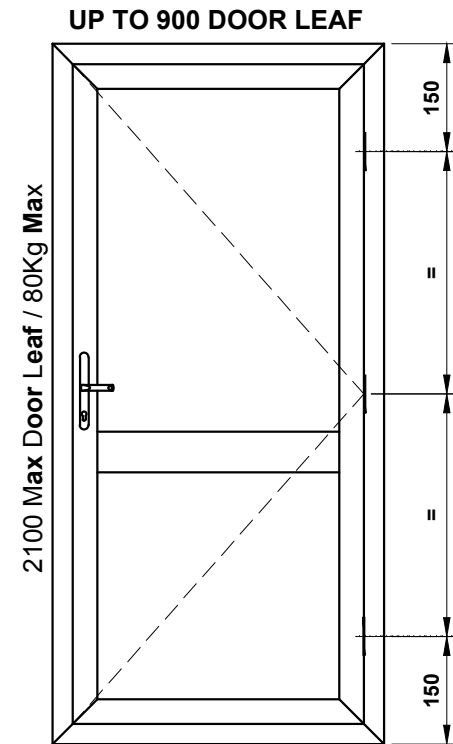
ACET174 Hinge Fitting Details

Assembly Instructions:

1. Fix 2no M5x10mm grub screws to sash frame clamp plate and slide into sash eurogroove to hinge position.
2. Locate hinge and clamp in position using 2no M5x10mm machine screws.
3. Fix sash to outer frame using clamp plates and fit M5 x 15mm CSK machine screws and adjust for correct position.
4. If the sash requires adjustment after the door has been glazed this can be achieved by loosening the clamp plate machine screws, adjusting the sash height and tightening the clamp plates.
5. The final adjustment of the sash width and compression of the gasket when the sash is closed can be achieved by rotating the cam in the hinge (A).

Important Note:

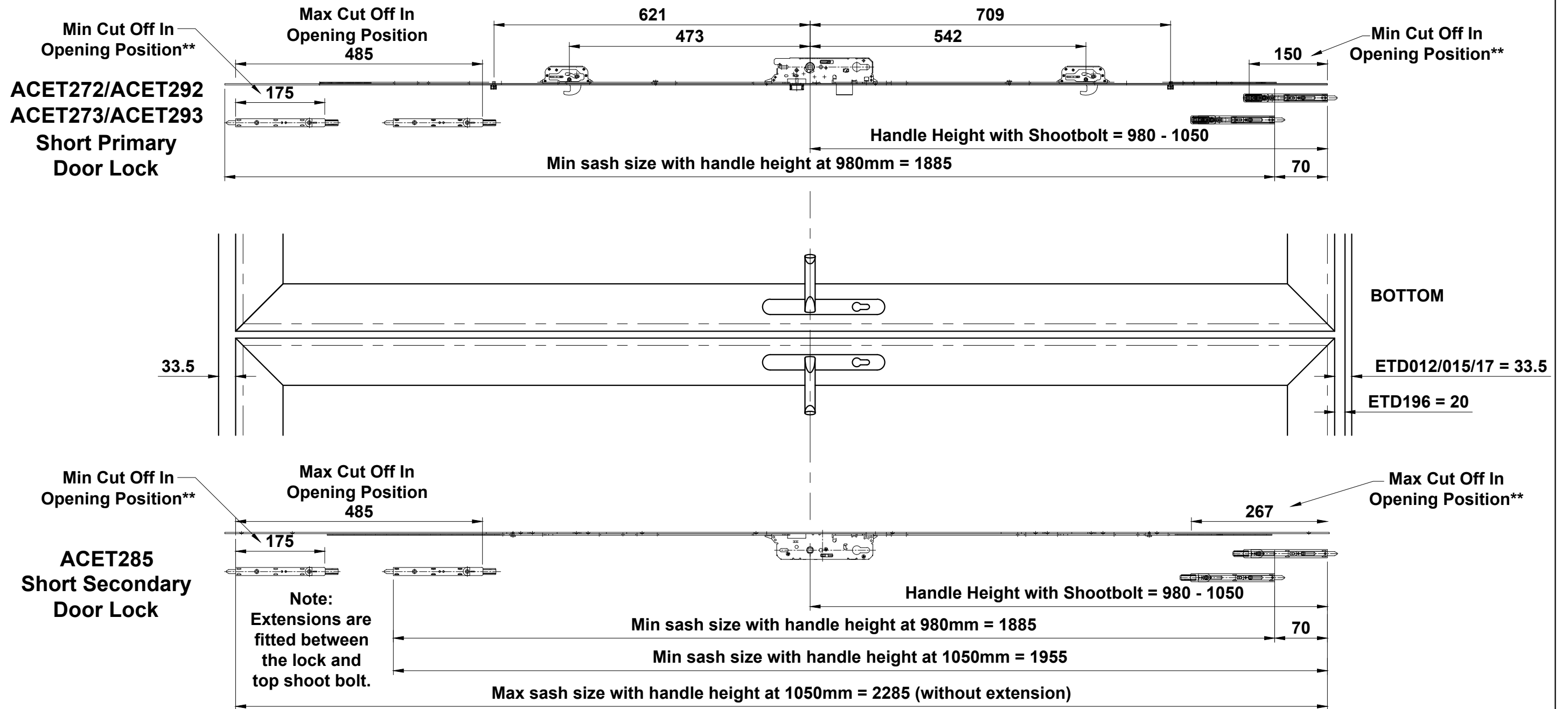
ACET174 hinges are not covered by the Kitemark. ACET250 hinges must be used where compliance is required.



Do Not Scale From This Drawing

Lock Selection with Shootbolts

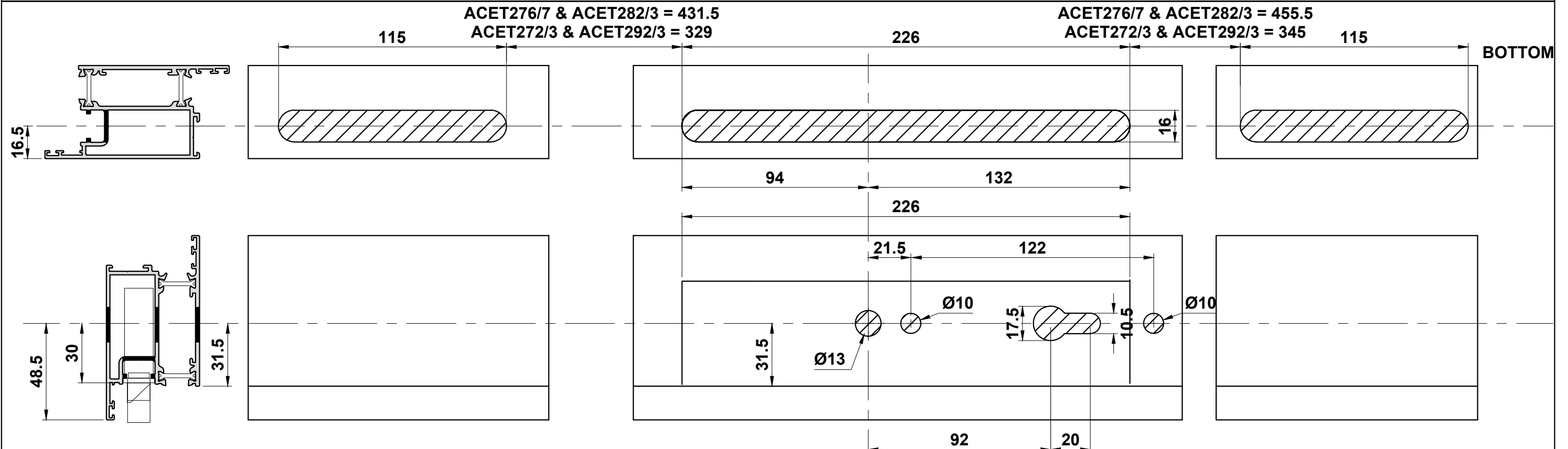
Note: ACDV742 & ACDV744 extensions may used with all locks



*Maximum sash height is 2500mm. Sizes shown here only indicate sizes with ACDV744.
**Minimum cut off positions are required to fit the shoot bolts.

Do Not Scale From This Drawing

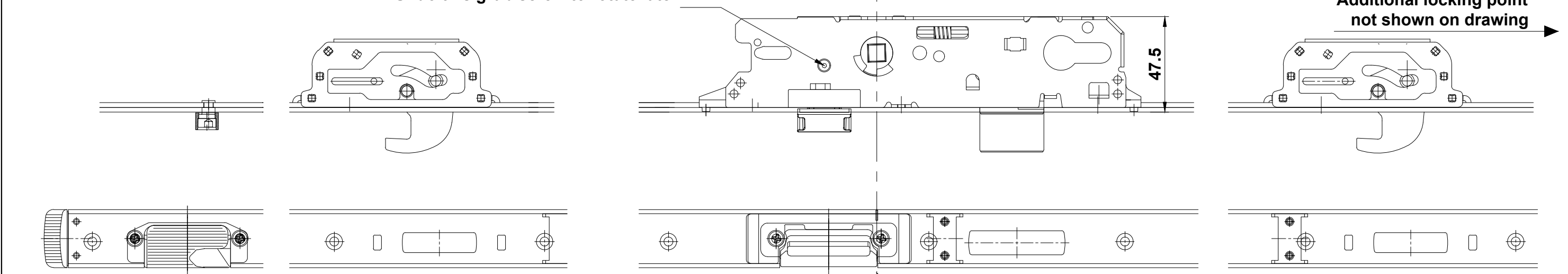
Primary Door Lock Fitting Details with ACDV251 or ACET480 Handle



Note: The fitting instructions for ACET480 are included in the handle box

Undo this grub screw to rotate latch

Additional locking point not shown on drawing

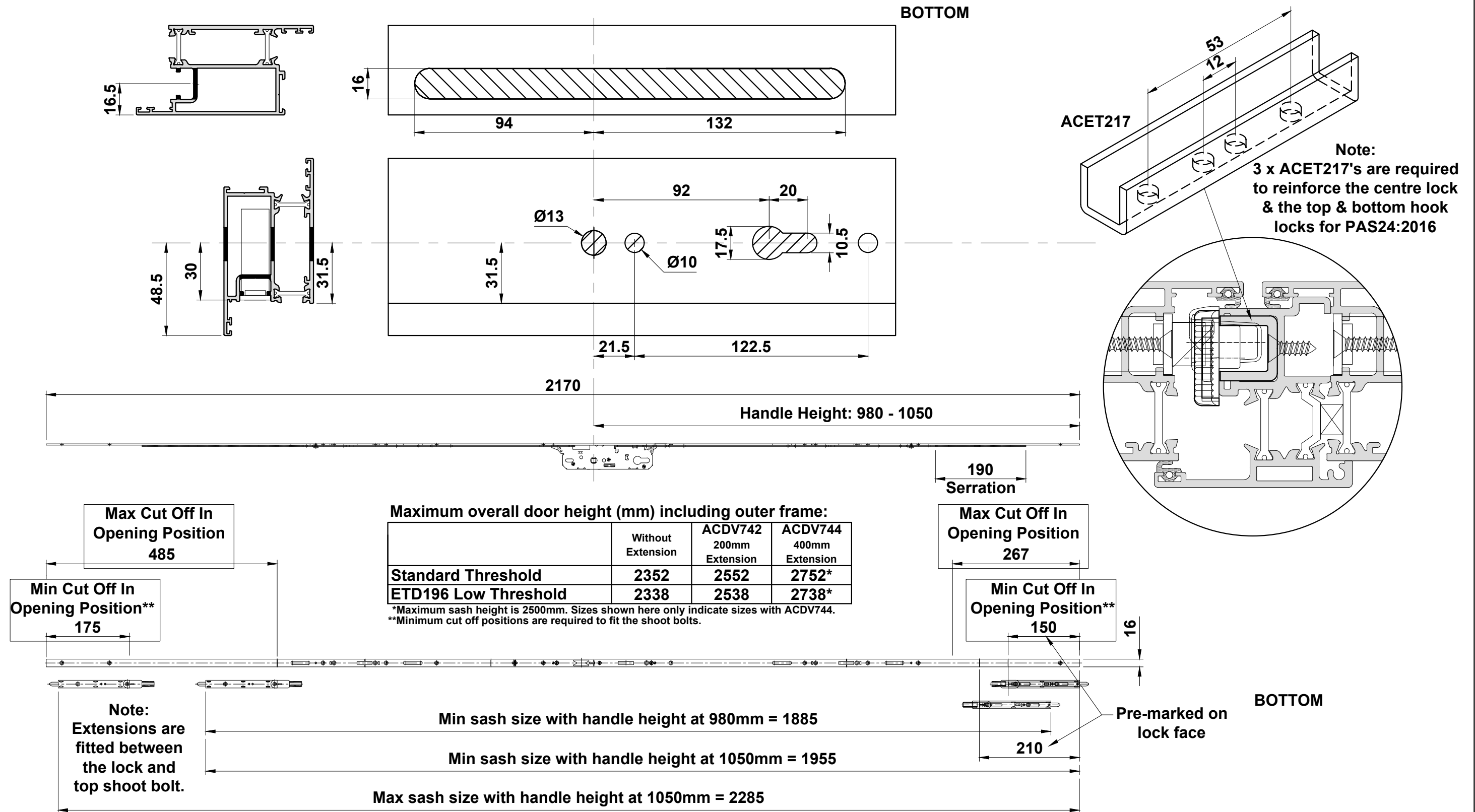


Note: ACET272, ACET273, ACET276, ACET277, ACET282 & ACET283 are supplied with full height keeps
ACET292 & ACET293 are supplied with individual keeps

Centre line on keep to line up with spindle centre

Do Not Scale From This Drawing

Secondary Door Lock Fitting Details & Primary/Secondary Shootbolt Details



Do Not Scale From This Drawing

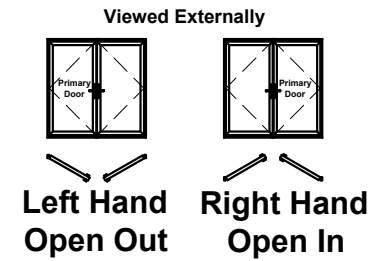
Lock Overview

ACET285
Secondary Door Lock Kit with
Shoot Bolts & Keeps
Non-Handed

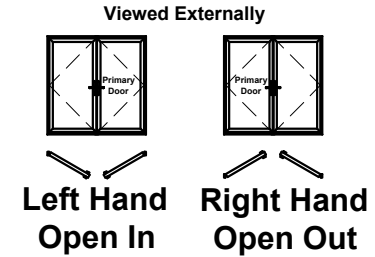
ACET292
Multi Point Lock Kit with
LEFT HAND Full Height Keep

ACDV738
Top Shoot Bolt
(sold separately)

Top Shoot Bolt



ACET293
Multi Point Lock Kit with
RIGHT HAND Full Height Keep



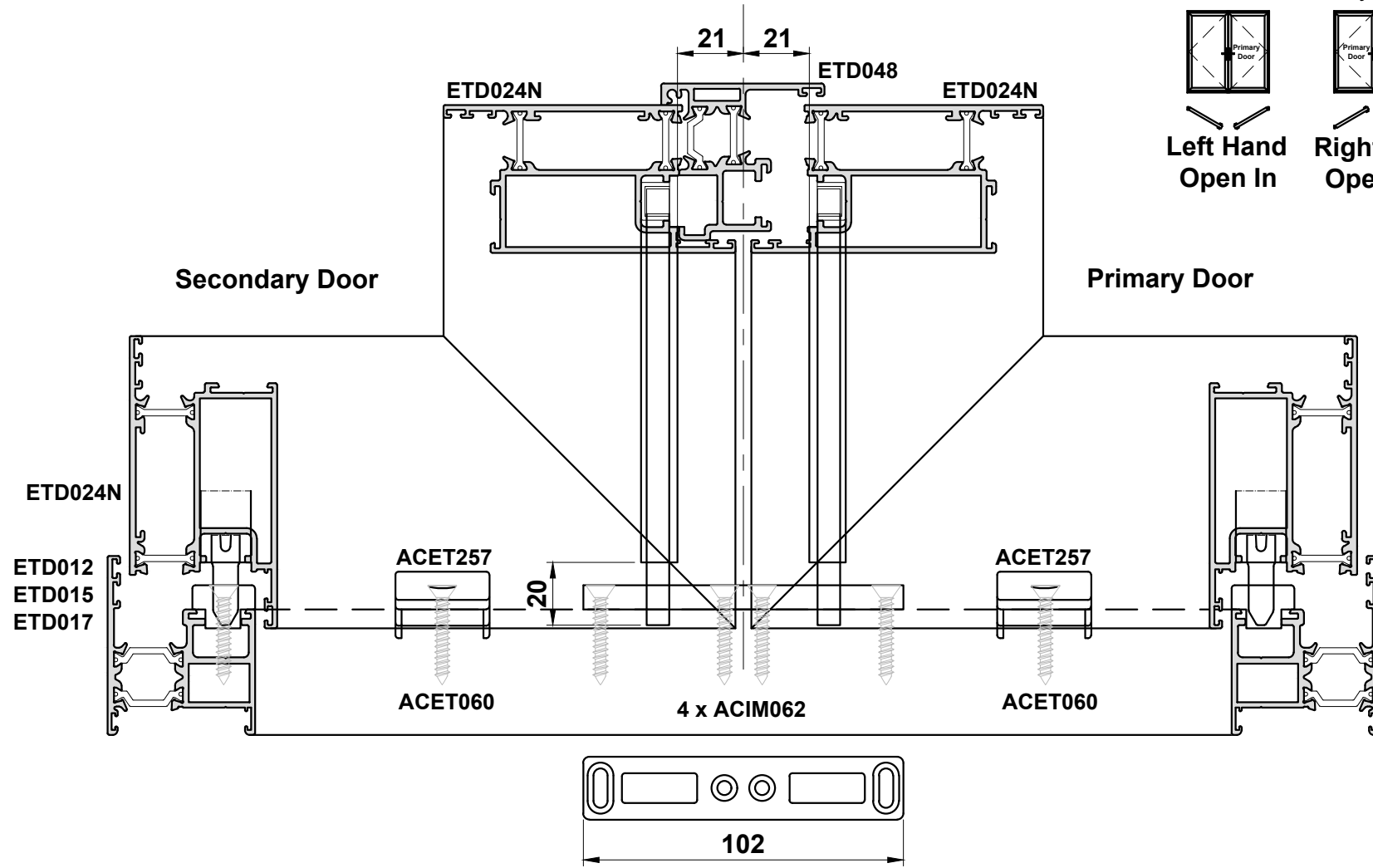
Secondary Door Lock

2 x Shoot Bolt Keep

2 x Shoot Bolt Keep Base

1 x Low Threshold Shoot Bolt Keep Base

Bottom Shoot Bolt



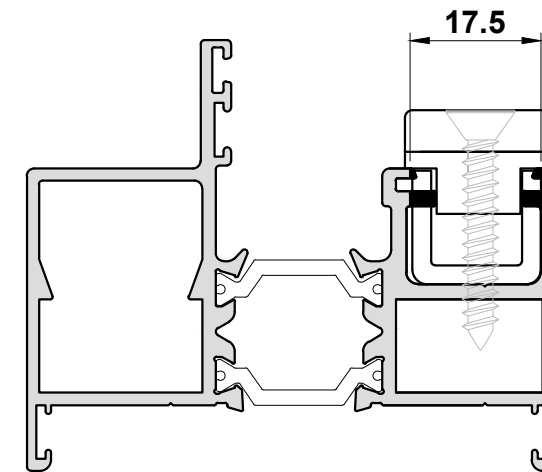
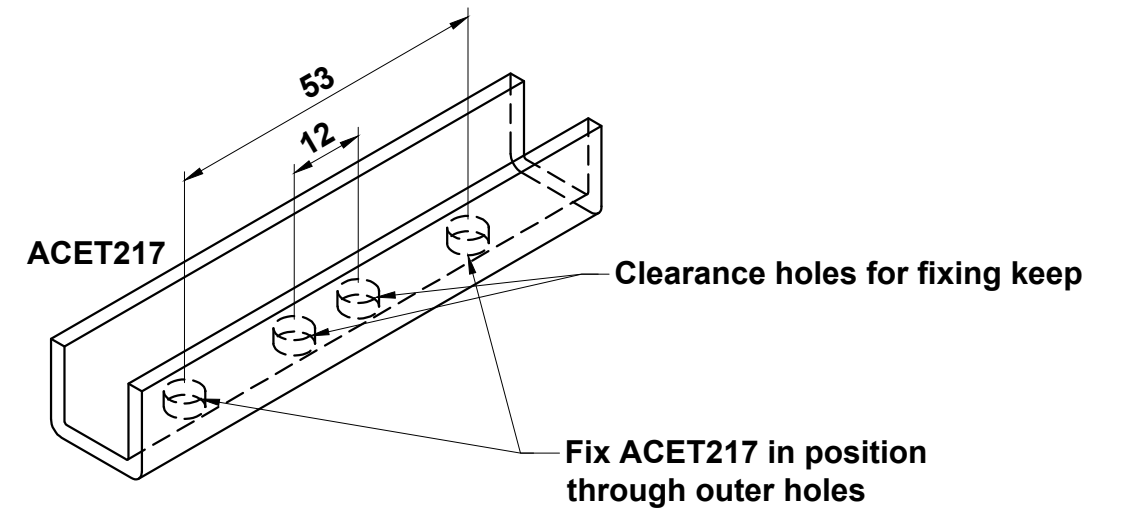
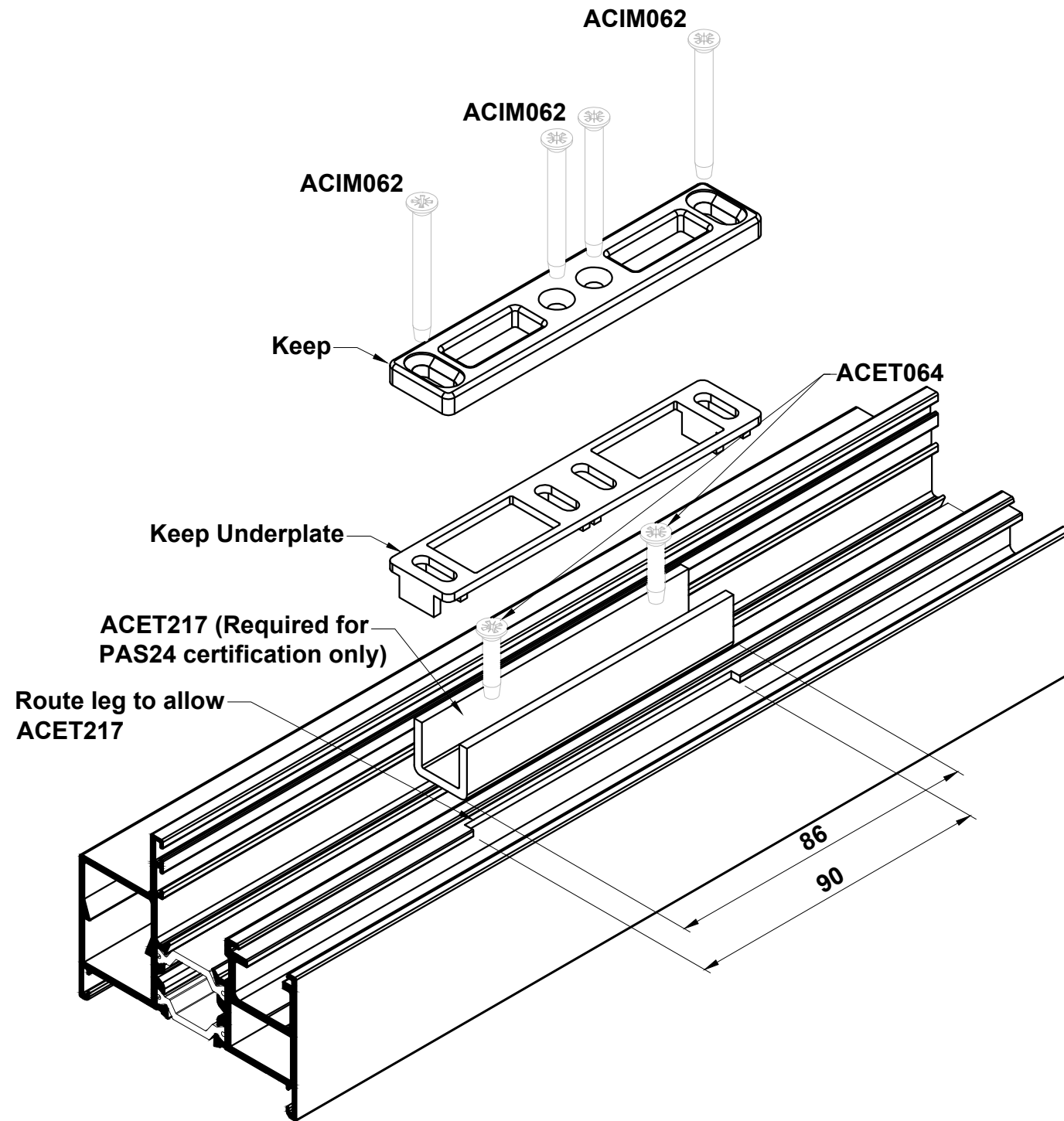
Full Height Keep (Included)

Primary Door Lock

ACDV737
Bottom Shoot Bolt
(sold separately)

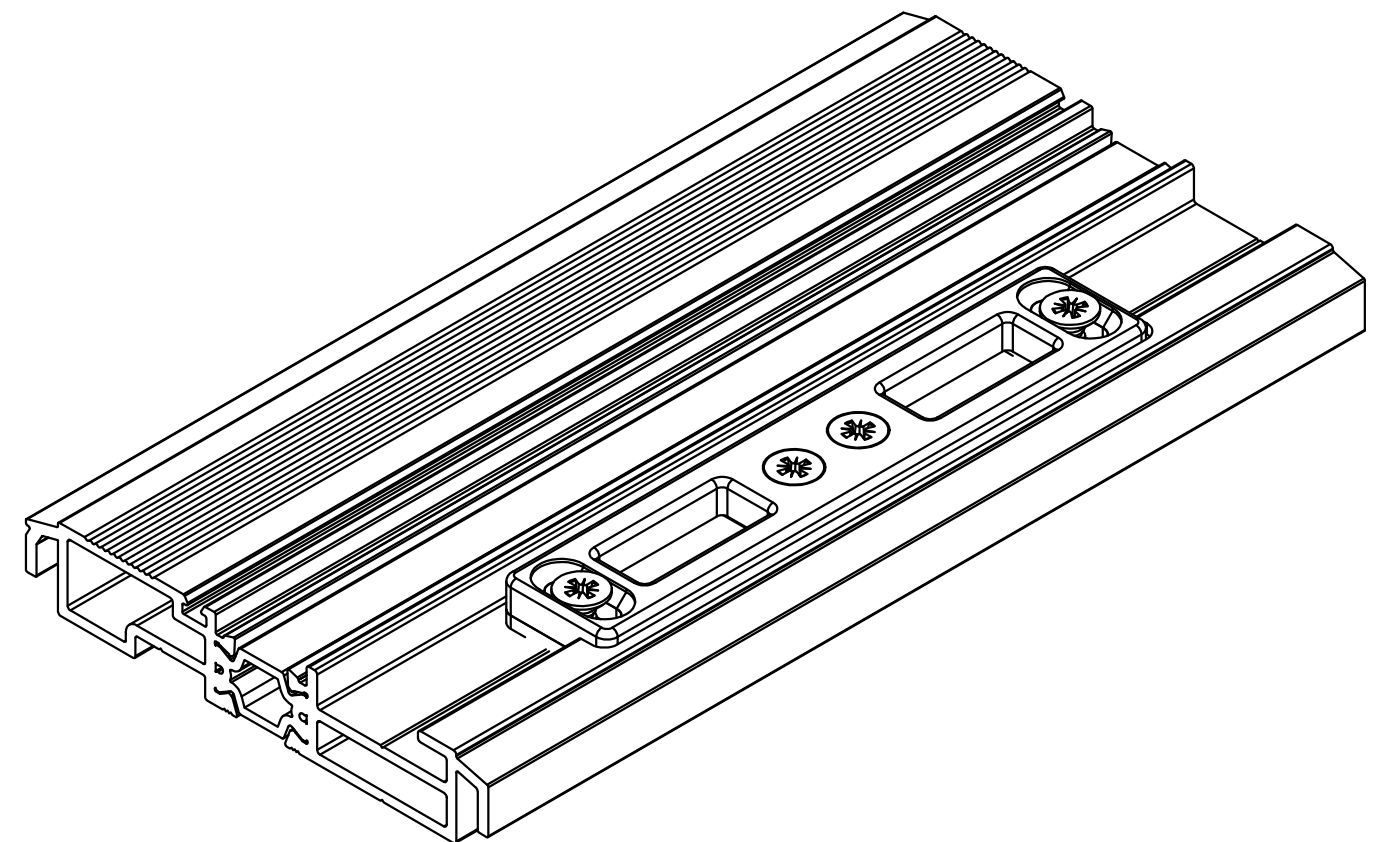
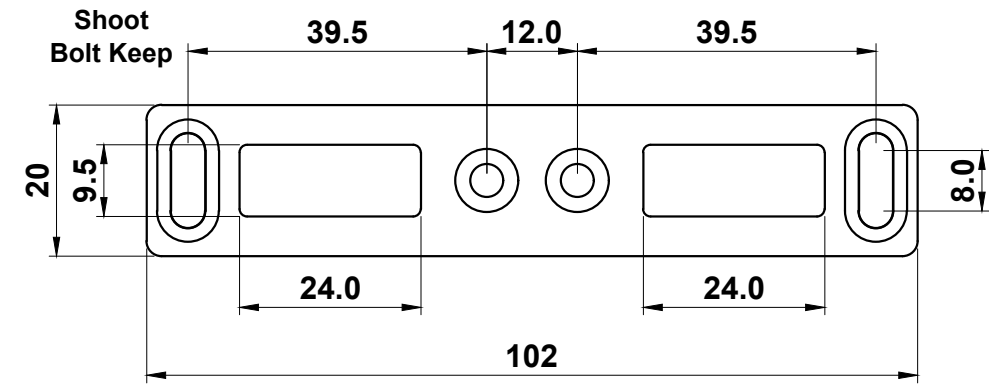
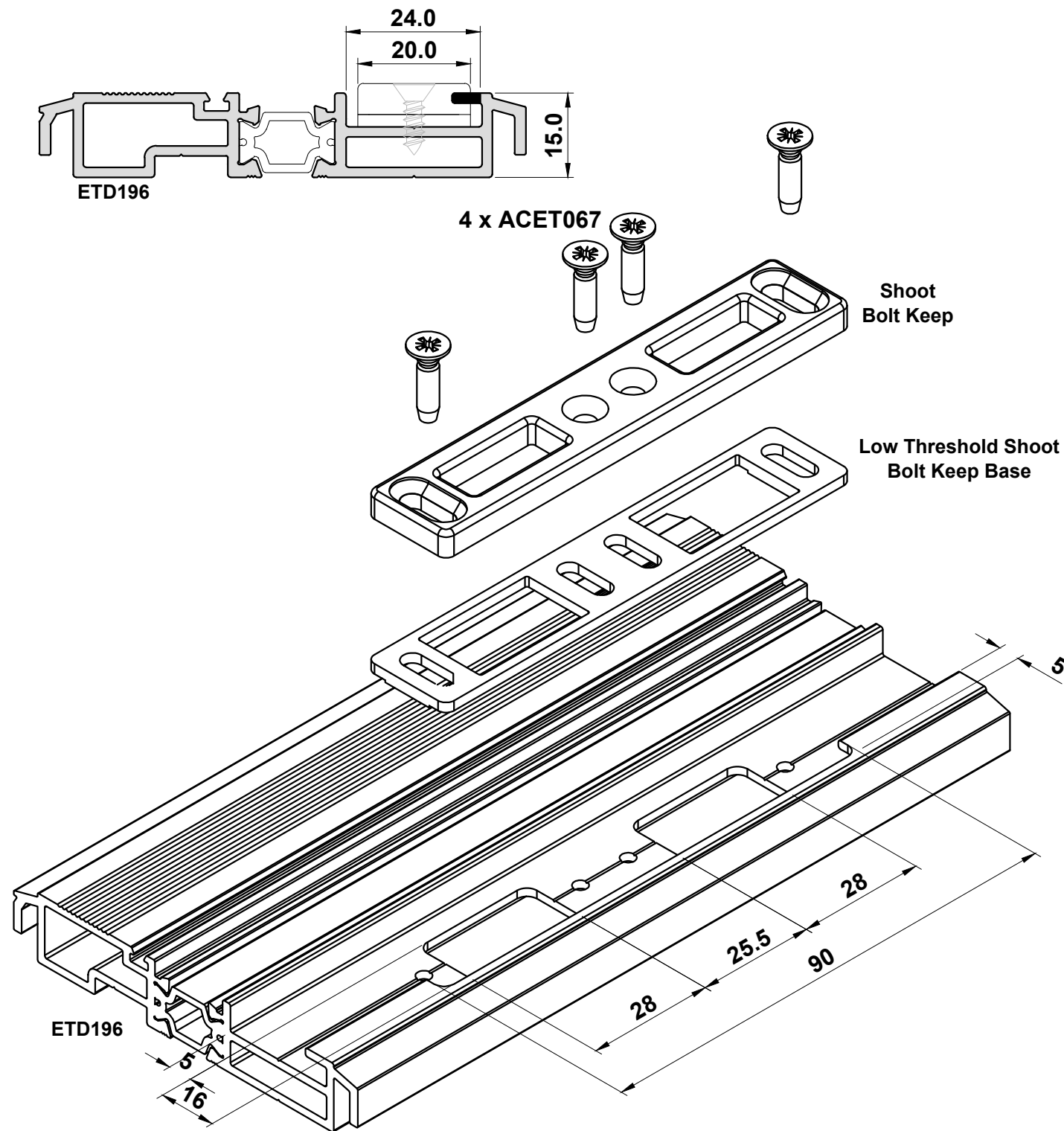
Do Not Scale From This Drawing

Shootbolt Keep Fitting Details in Standard Outer Frame

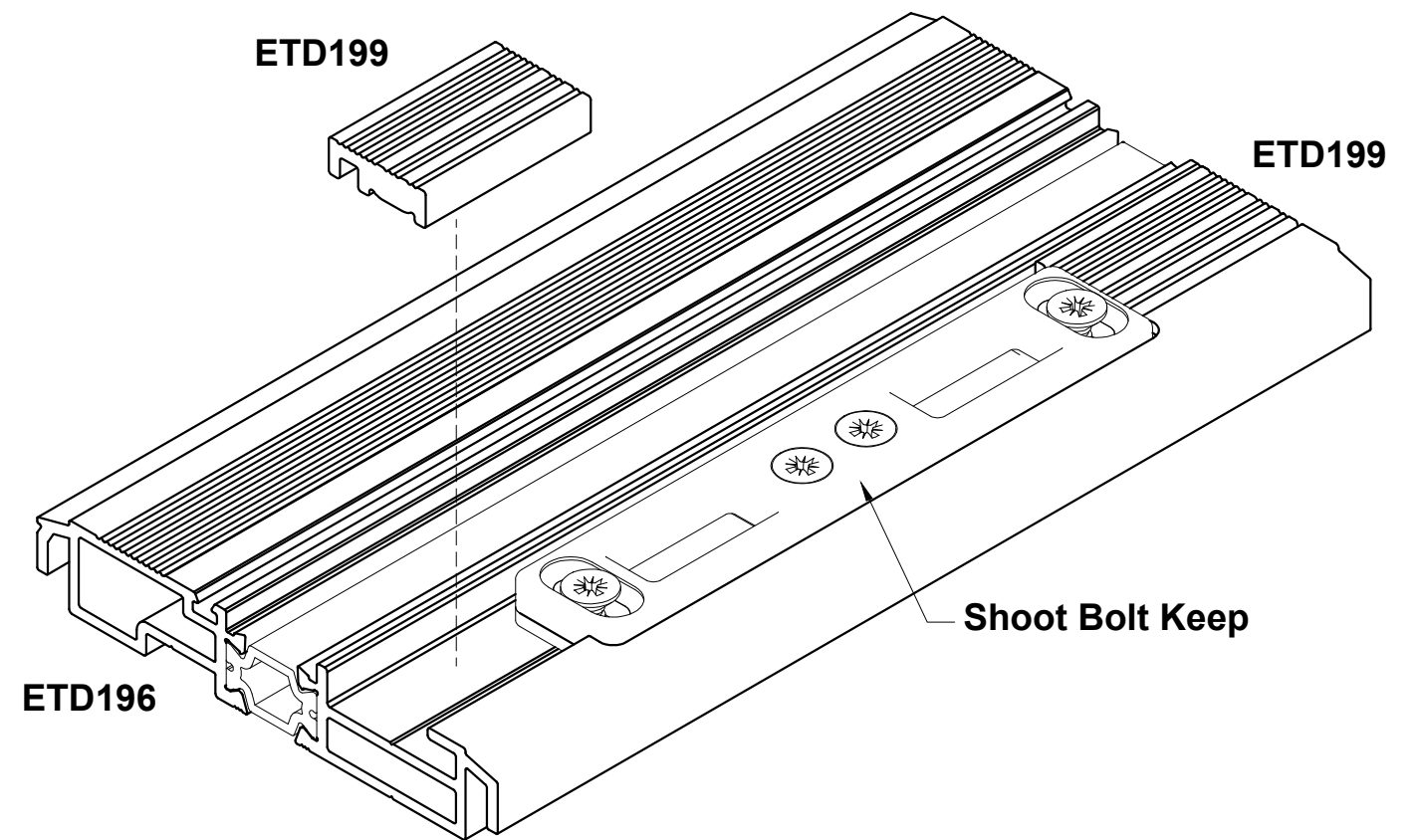
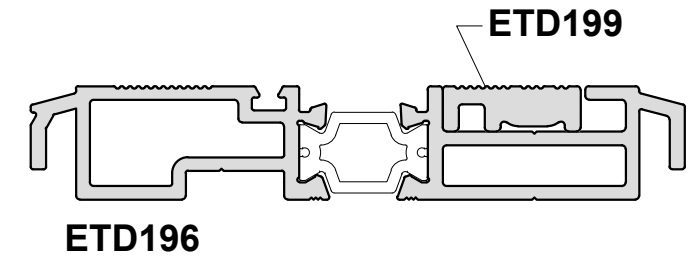
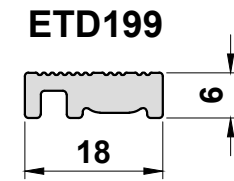
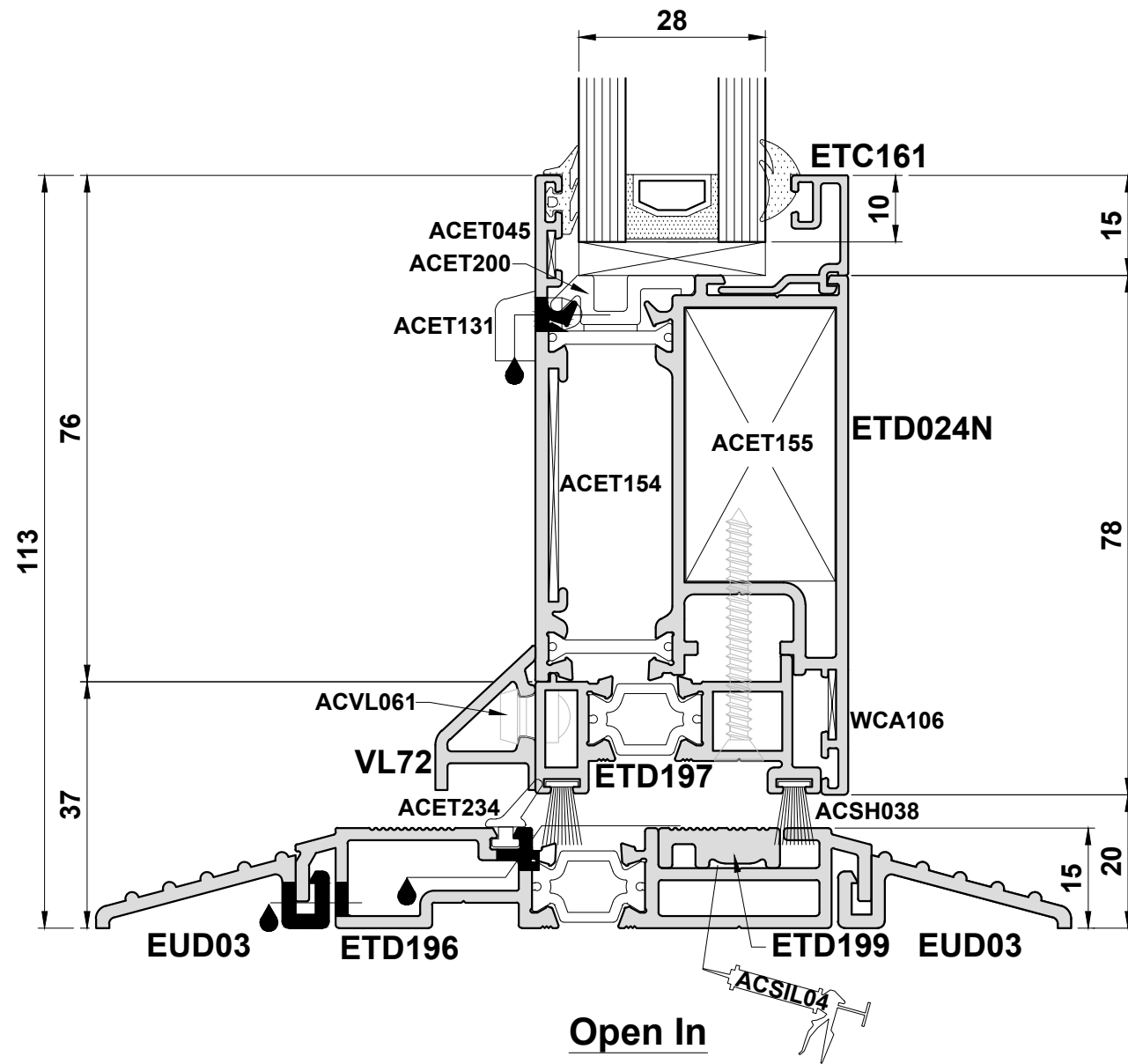


Do Not Scale From This Drawing

Shootbolt Keep Fitting Details in Low Threshold



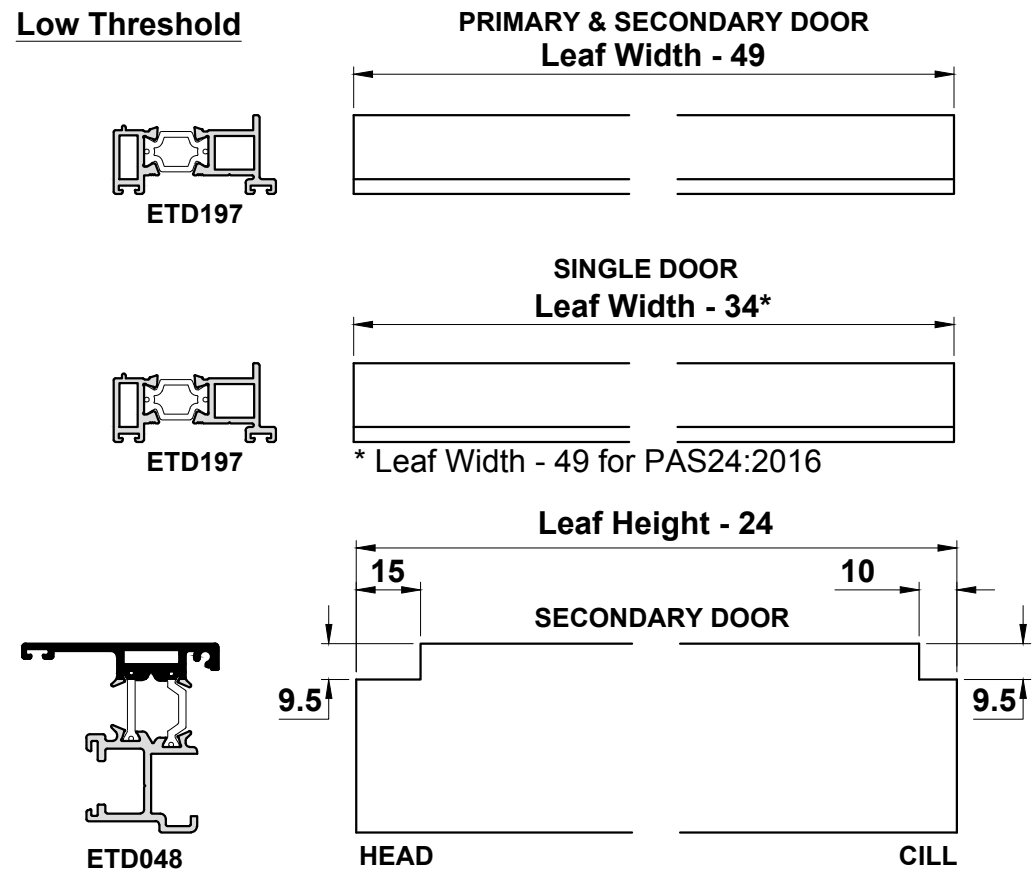
ETD199 Detail



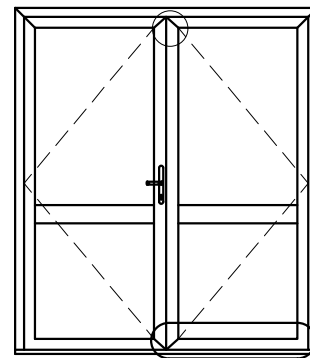
Do Not Scale From This Drawing

ETD048 & ETD197 Cutting & Notch Details

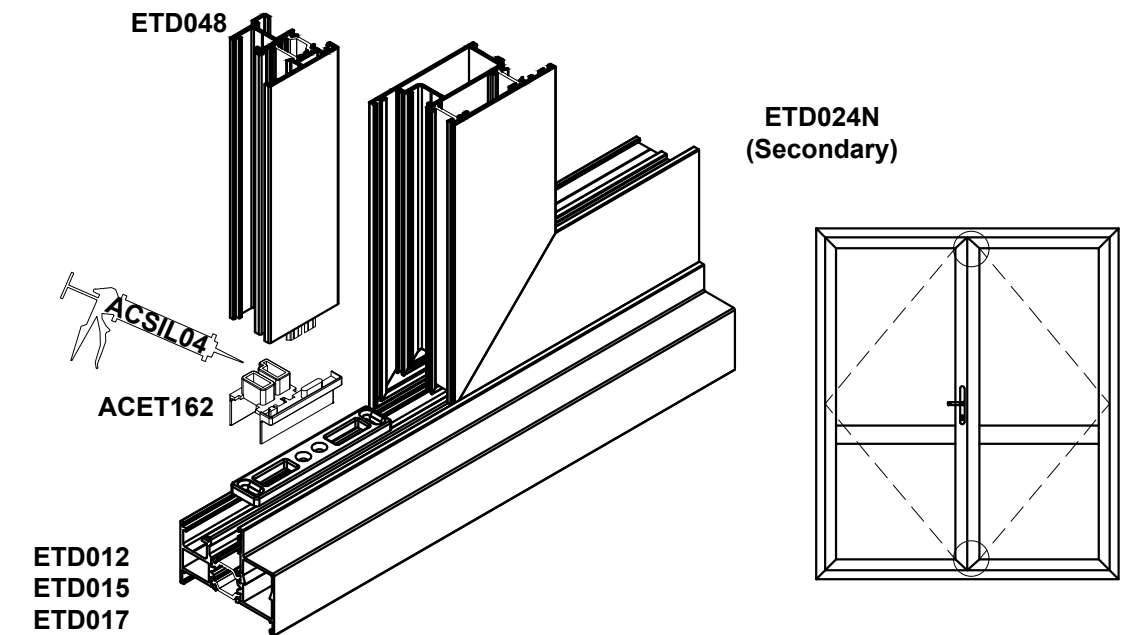
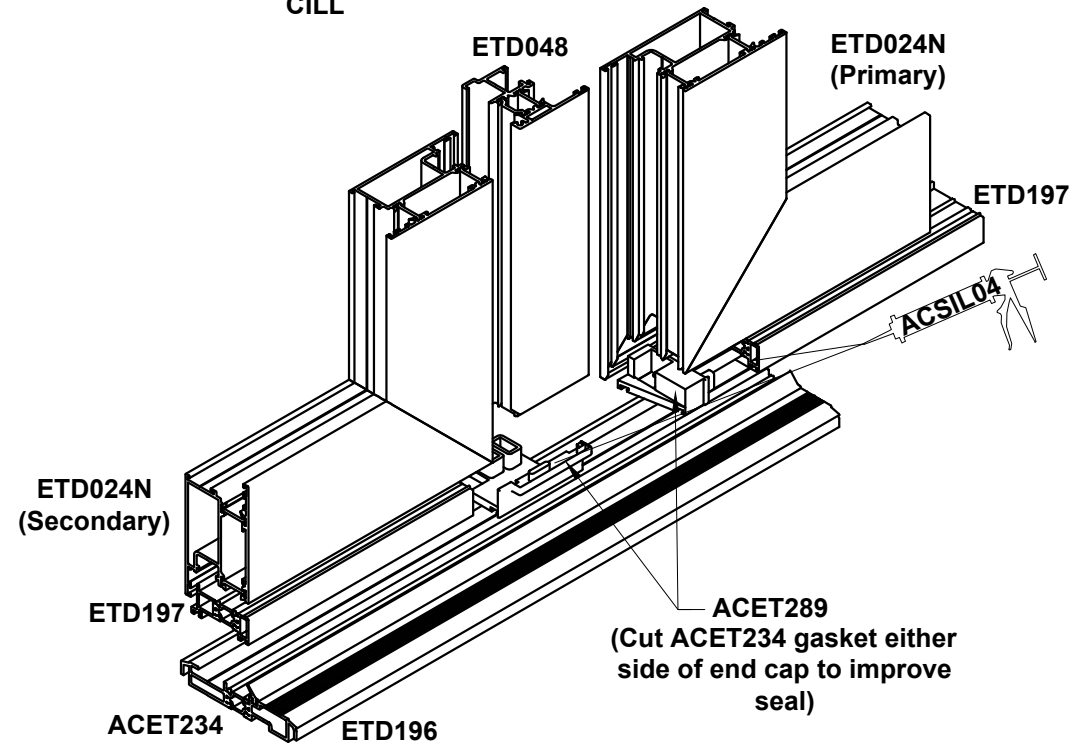
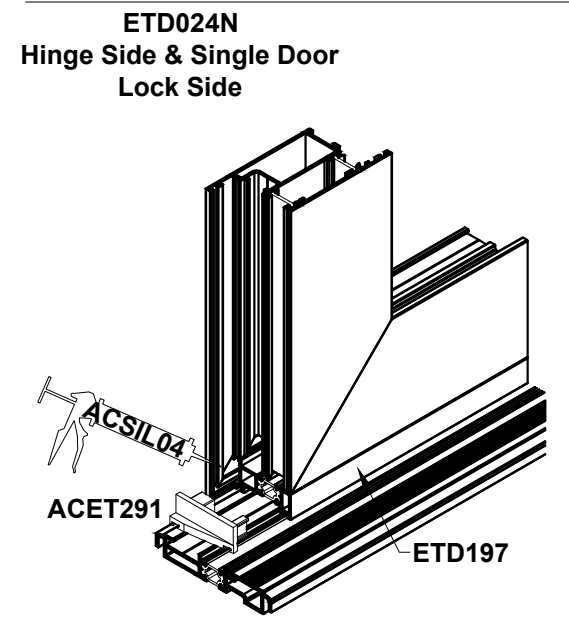
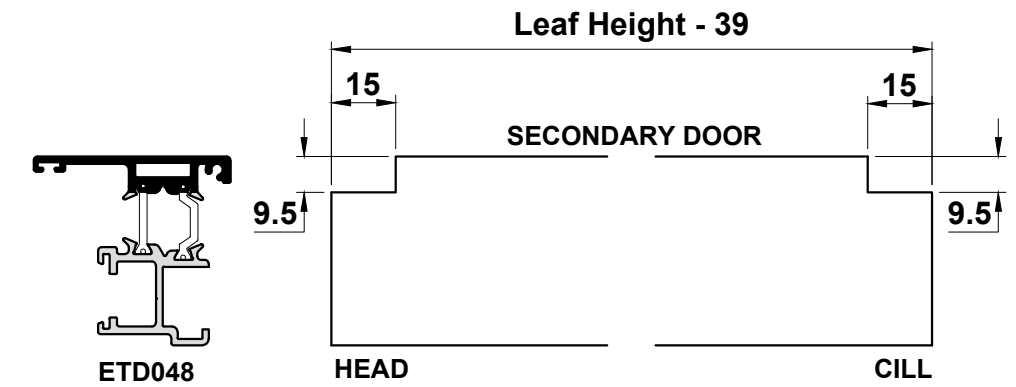
Low Threshold



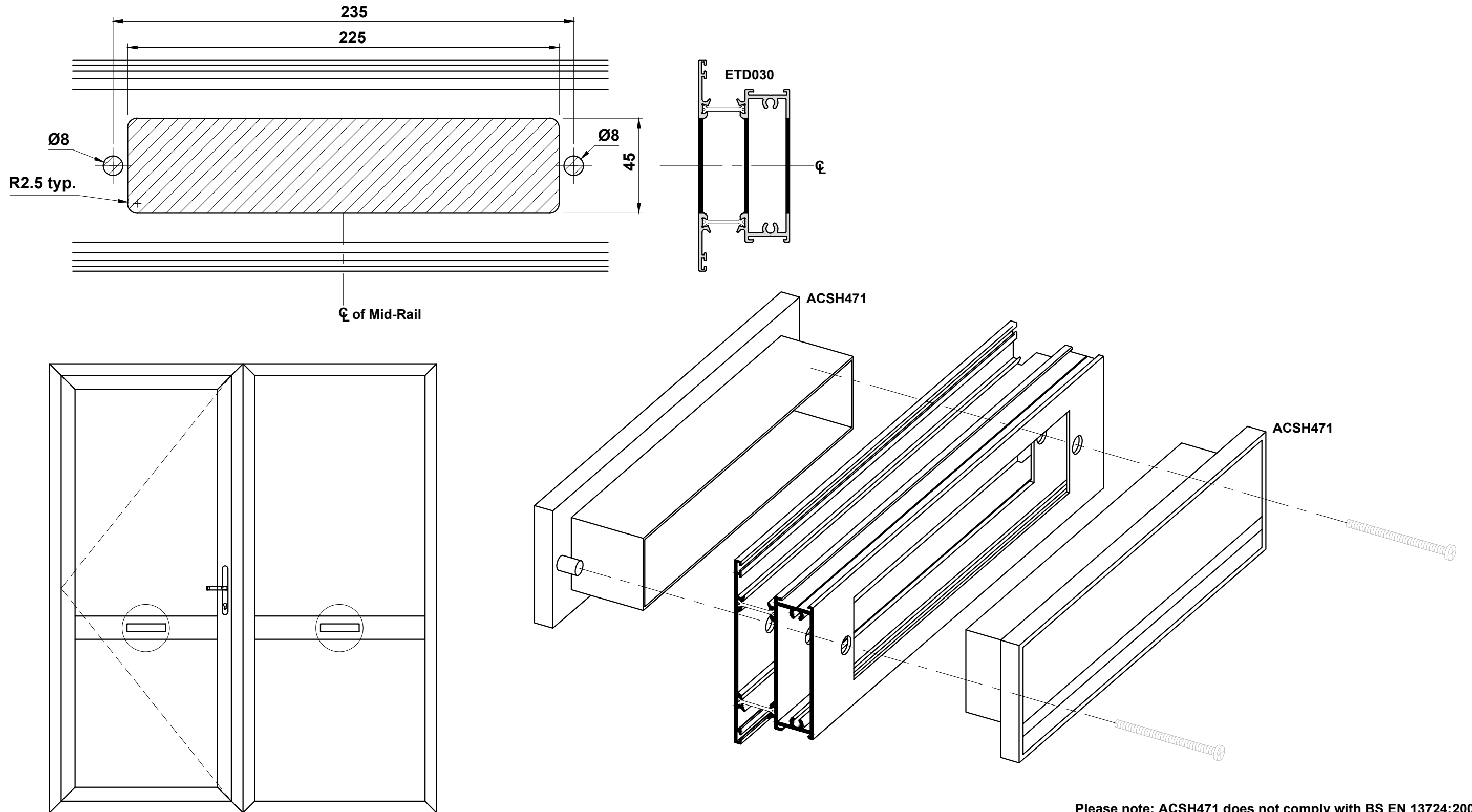
Important Note
For PAS24:2016 single doors
ACET284 End Cap kit is required
instead of ACET291.



Standard Threshold



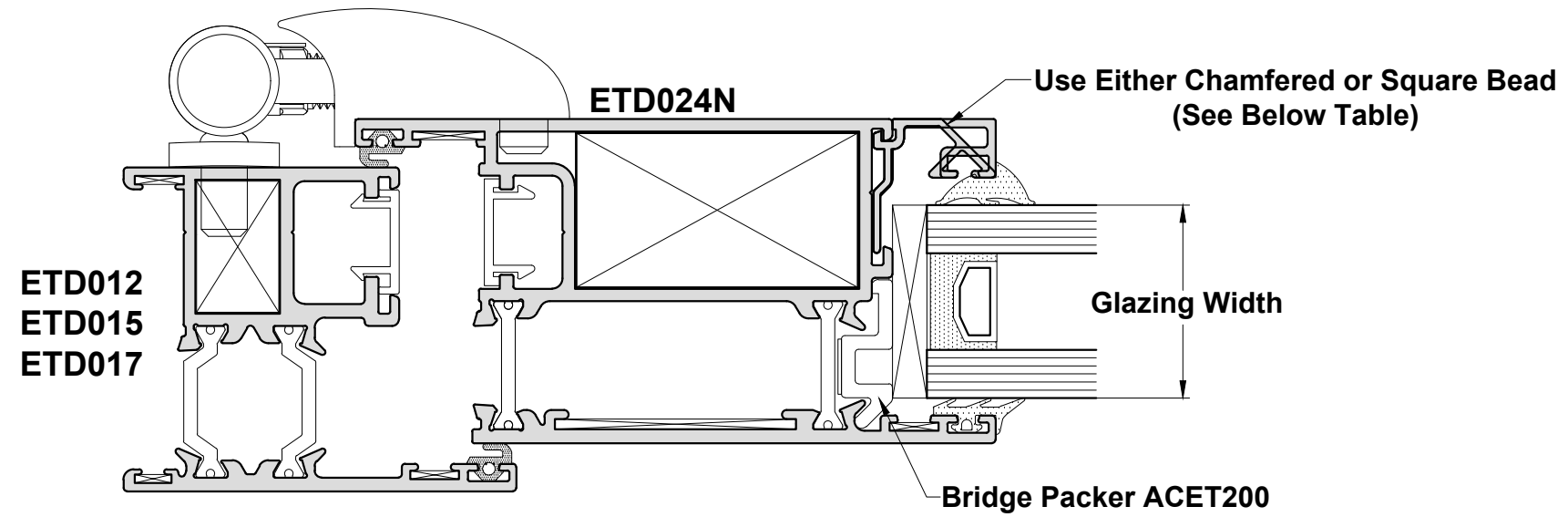
ACSH471 Letter Plate Fitting








Please note: ACSH471 does not comply with BS EN 13724:2002

Do Not Scale From This Drawing

Glazing Chart



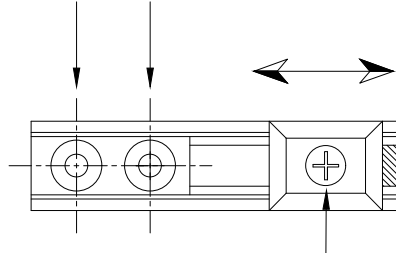
24mm		28mm		32mm	
Beads	Gaskets	Beads	Gaskets	Beads	Gaskets
ETC162 	ACVG31 ACVG34	ETC161 	ACVG31 ACVG34	ETC160 	ACVG31 ACVG34
ETC163 	ACVG31 ACVG34	ETC164 	ACVG31 ACVG34		

ACET149 Fitting Instructions

Ensure friction screw is loose before fitting stay to door. Adjust to required tension once the stay is fixed in position.



1" No.7 ACET060 Screw (2 off)



Friction Screw

Fixing Plate Snap-In-Fix

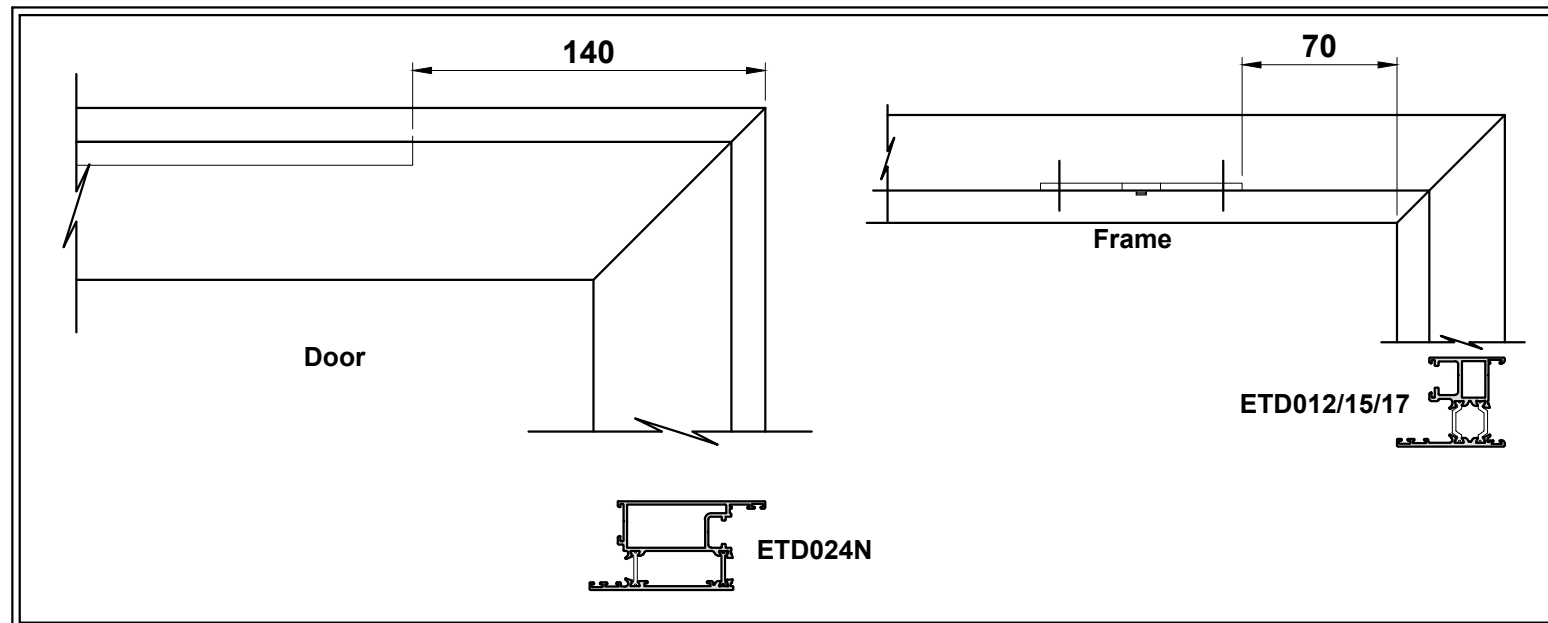
ACET060 x 2

ACET149

Fixing Plate Snap-in-fix

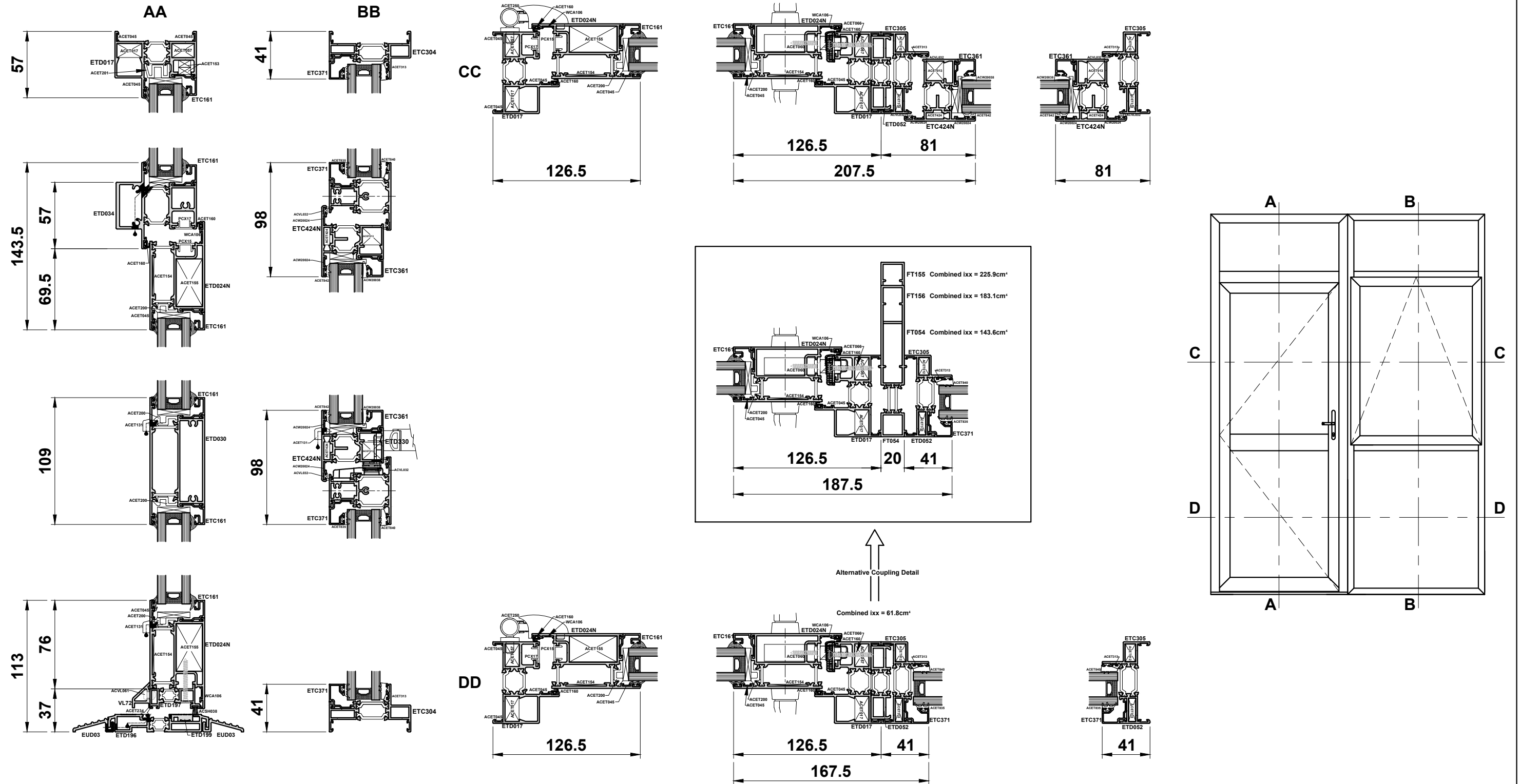
ACET060 x 2

Identification Registration



Do Not Scale From This Drawing

Example Layout



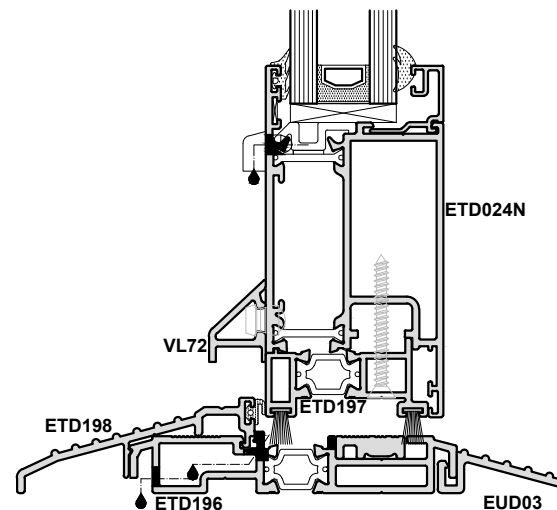
PAS24:2016 Details

Single Door

Accessories Required to Achieve PAS24:2016

A	Guide Blocks	ACET257
B	Hinges	ACET250
C	Lever/Lever Handle	ACET480
D	45/30 Cylinder	ACCY4530S1*
E	Keep Reinforcement	ACET217
F	Glass Packer Positions	
G	Hinge Protectors	ACET252
H	Lock with Shoot bolts	See Table 1

*Standard Handles may be used as an alternative to ACET480 providing the cylinder used has a TS007:2014 3 star accreditation (by others).



Note: To comply with PAS24:2016 & KM530838, ETD198 must be used with ETD196

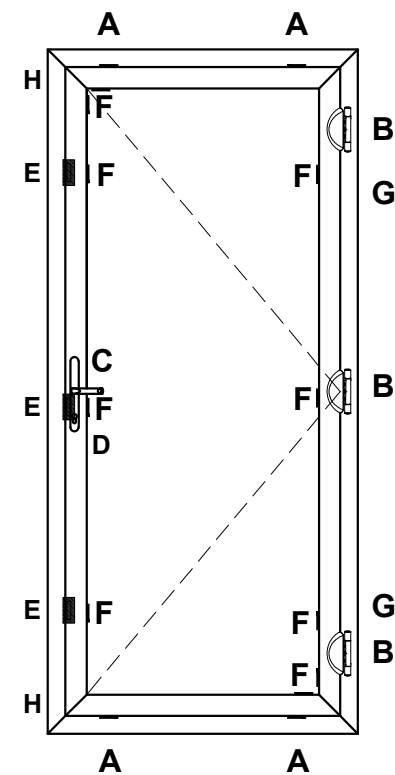
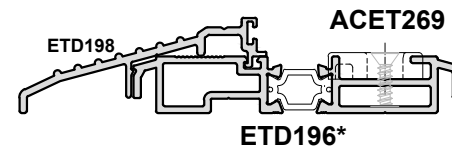
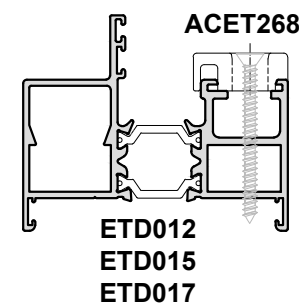


Table 1 - Single Door Locking Details

Height	Threshold Type	Lock	Bottom Shootbolt	Top Shootbolt	Bottom Keep	Top Keep
1885 - 2352	Standard Threshold	ACET292/3	ACDV737	ACDV738	ACET268	ACET268
1885 - 2338	ETD196 Low Threshold	ACET292/3	ACDV737	ACDV738	ACET269	ACET268
2352 - 2552	Standard Threshold	ACET292/3	ACDV737	ACDV742	ACET268	ACET268
2338 - 2538	ETD196 Low Threshold	ACET292/3	ACDV737	ACDV742	ACET269	ACET268



*ACET284 End Cap Kit required for single doors.

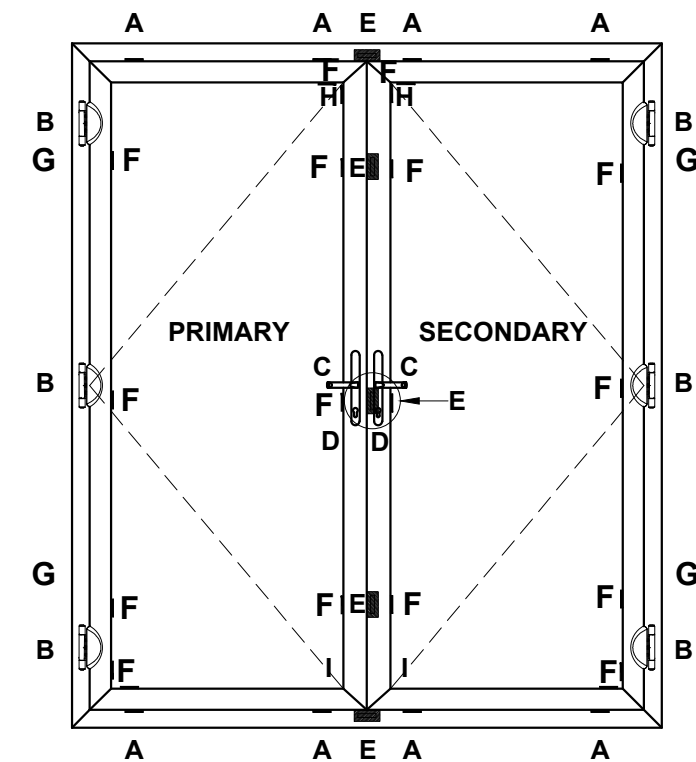
Double Door

Accessories Required to Achieve PAS24:2016

A	Guide Blocks	ACET257
B	Hinges	ACET250
C	Lever/Lever Handle	ACET480
D	45/30 Cylinder	ACCY4530S1*
E	Keep Reinforcement	ACET217
F	Glass Packer Positions	
G	Hinge Protectors	ACET252
H	Top Shootbolt	ACDV738**
I	Bottom Shootbolt	ACDV737**

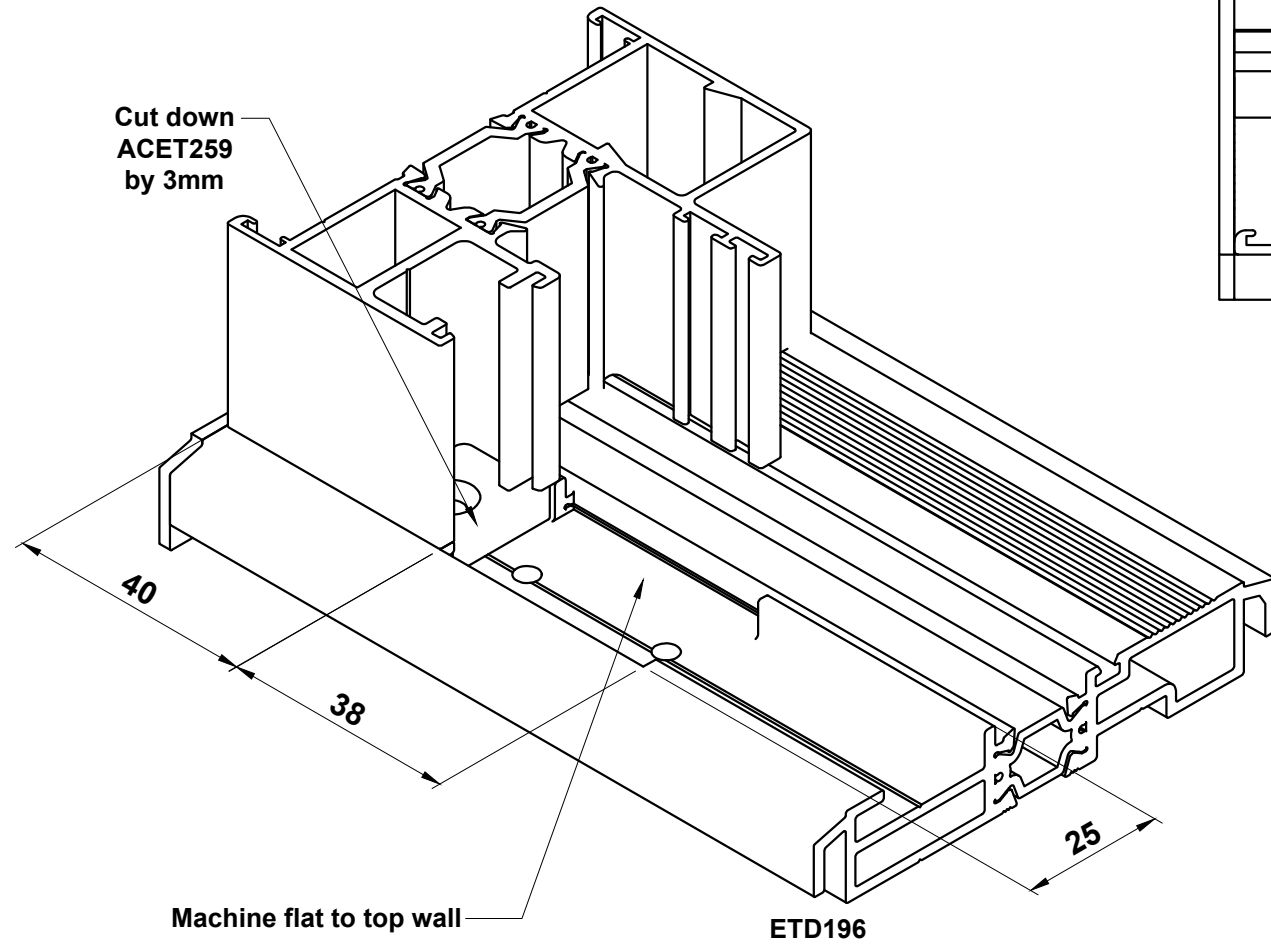
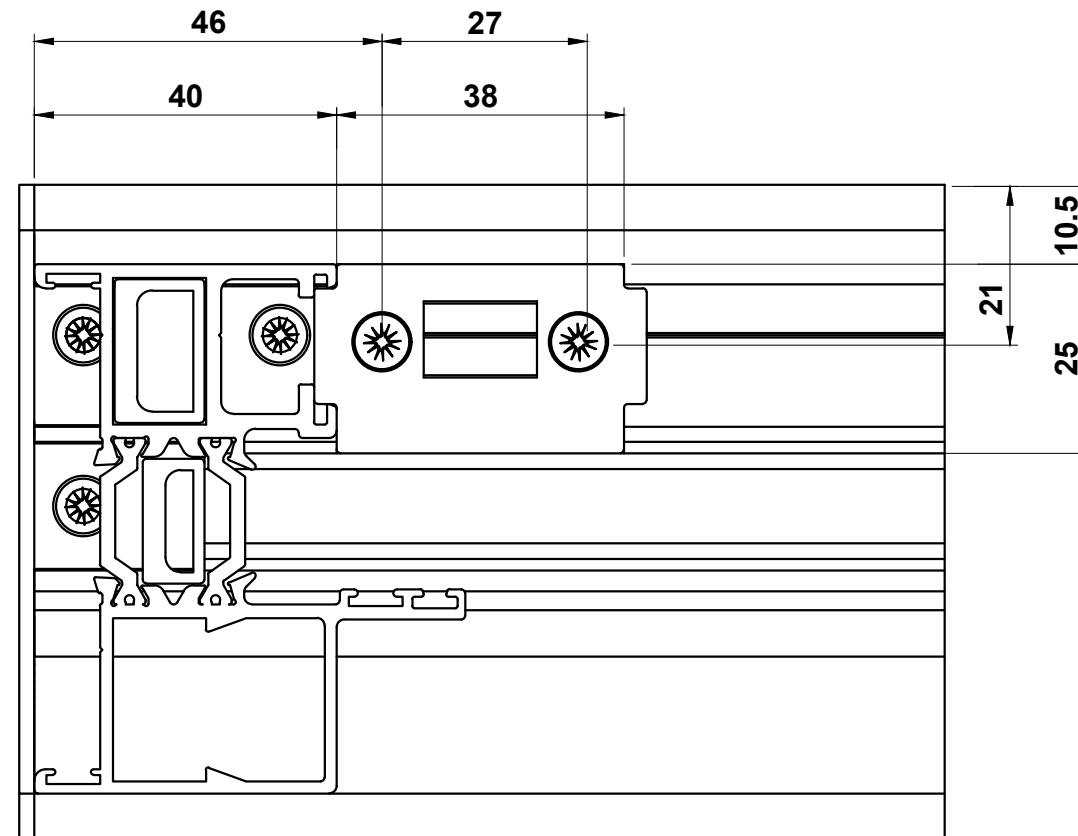
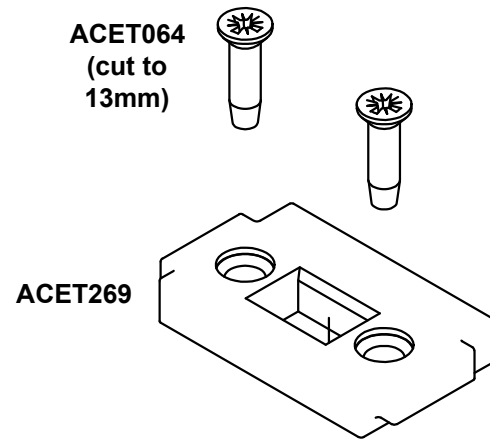
*Standard Handles may be used as an alternative to ACET480 providing the cylinder used has a TS007:2014 3 star accreditation (by others).

**ACDV737 & ACDV738 shoot bolts are supplied for the secondary door with ACET285 and need to be ordered separately from ACET292 & ACET293.

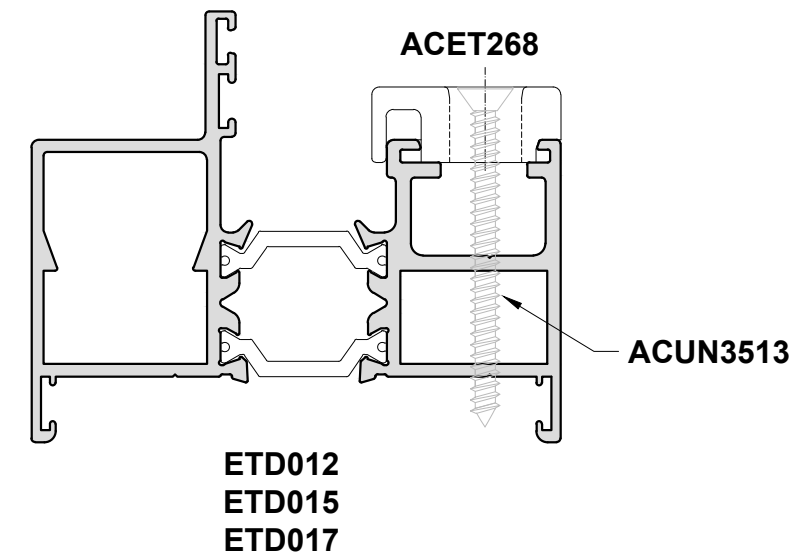


Do Not Scale From This Drawing

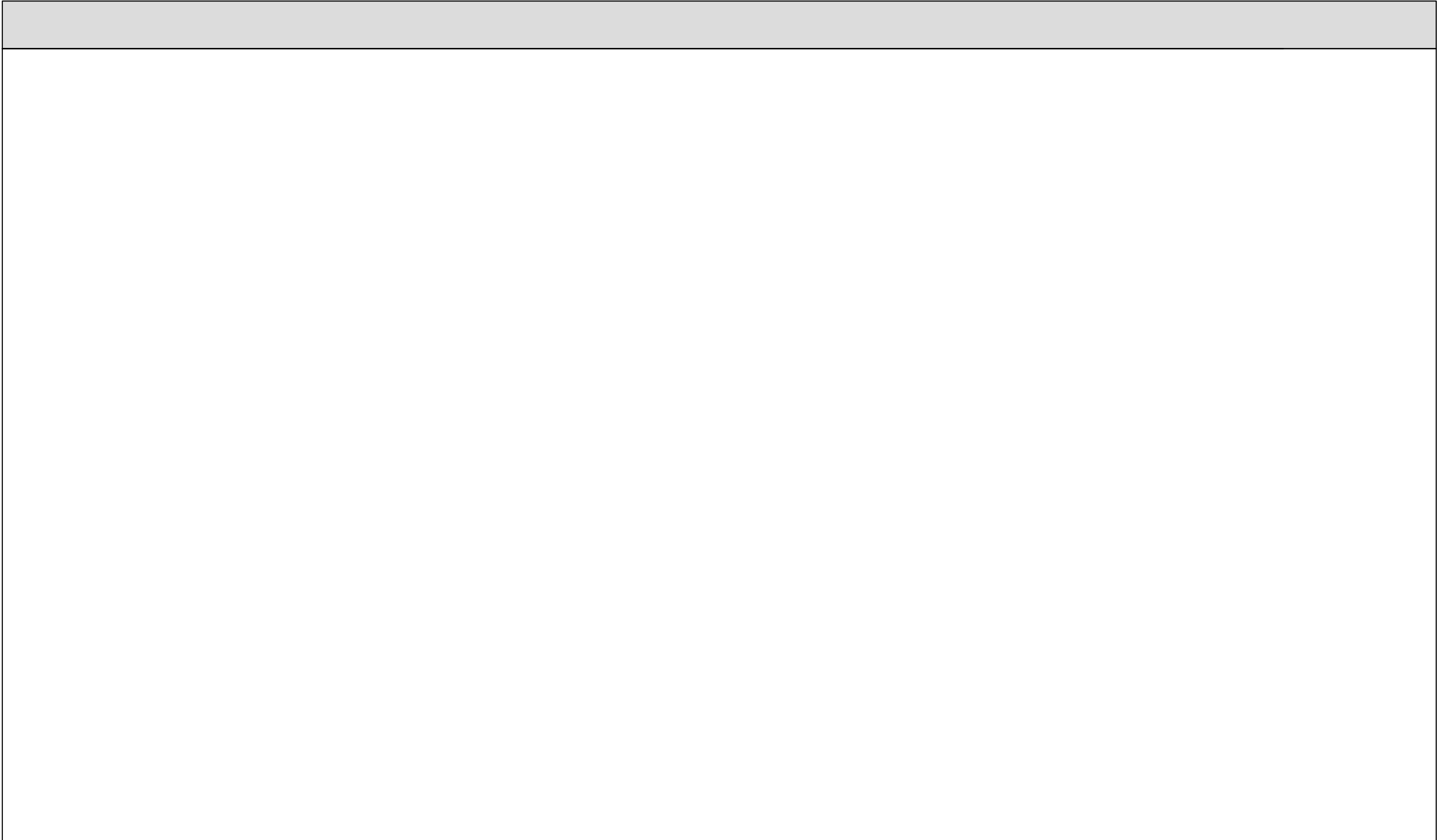
ACET268 & ACET269 Fitting Details



ACET268 is fitted in the same location as
ACET269 but no machining is required.



Do Not Scale From This Drawing



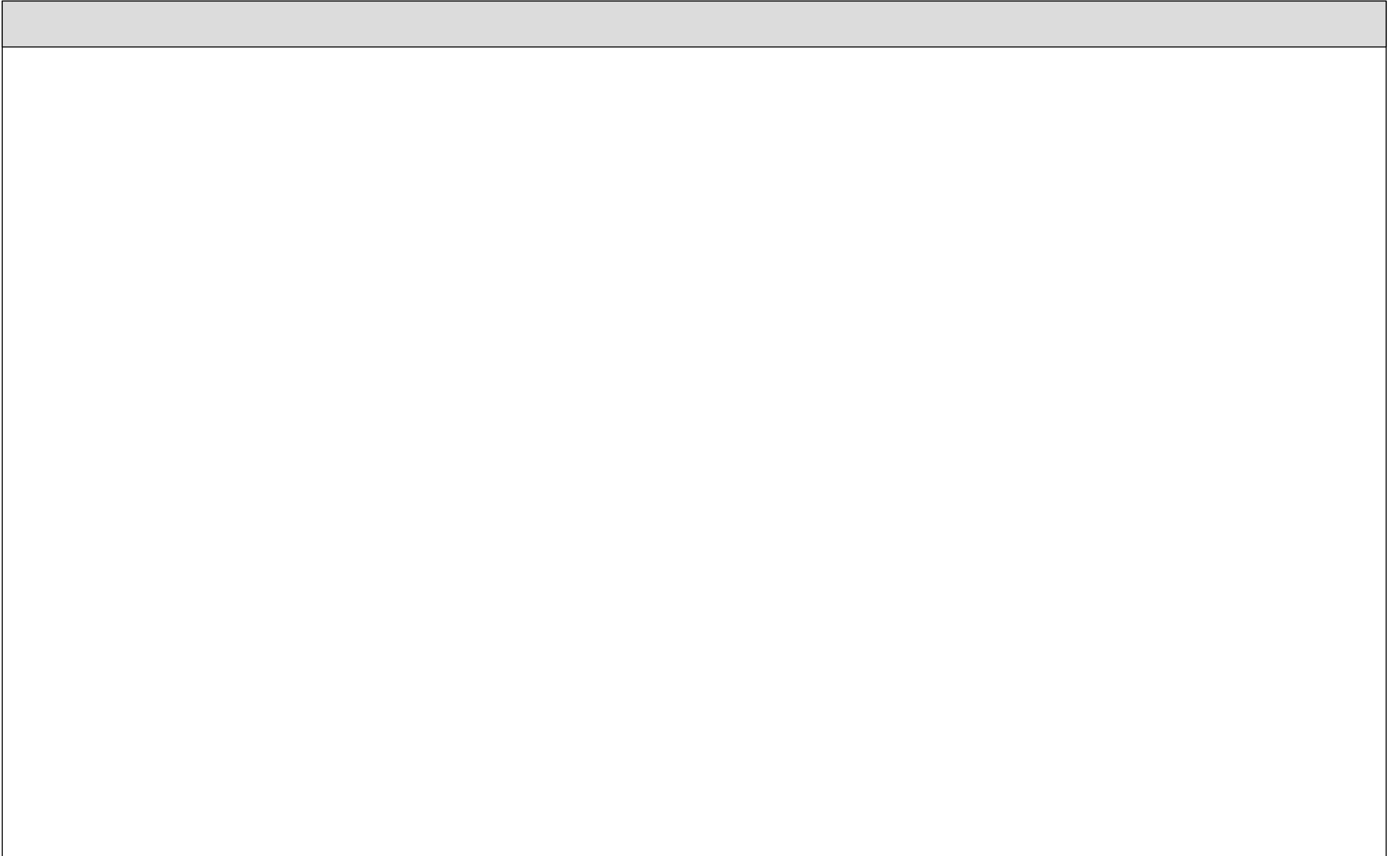
Do Not Scale From This Drawing

Section E

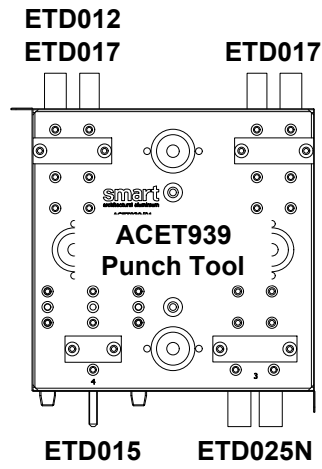


Construction Drawings - Open Out

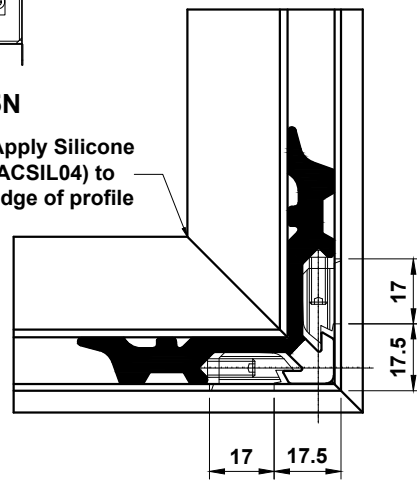
Corner Joint Details.....	E31 - E34
Drainage.....	E35 - E36
Mullion & Mid Rail.....	E37 - E39
Hinges.....	E40 - E41
Lock Selection & Installation.....	E42 - E46
ETD048 & ETD197 Preparation & End Caps.....	E47
Letter Plate.....	E48
Glazing Details.....	E49
ACET149.....	E50
Example Layout.....	E51
PAS24:2016 Accessories & Position.....	E52 & E53
Fixing Strap Guide.....	E54



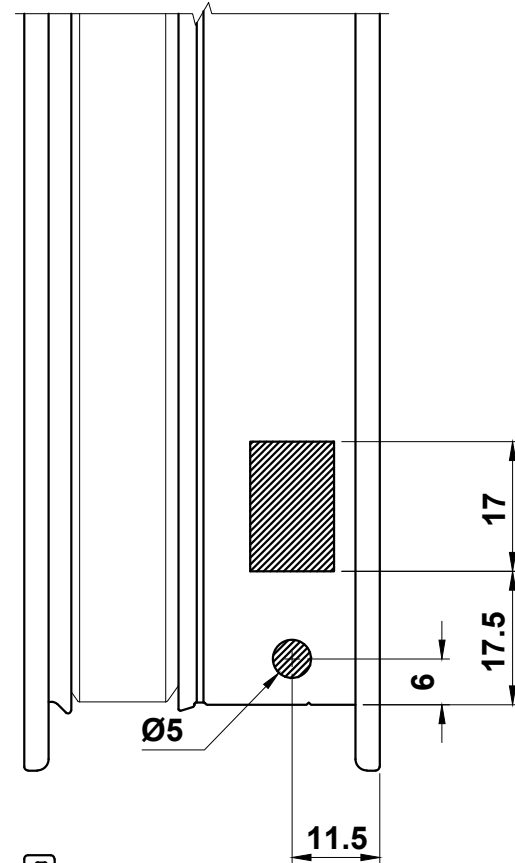
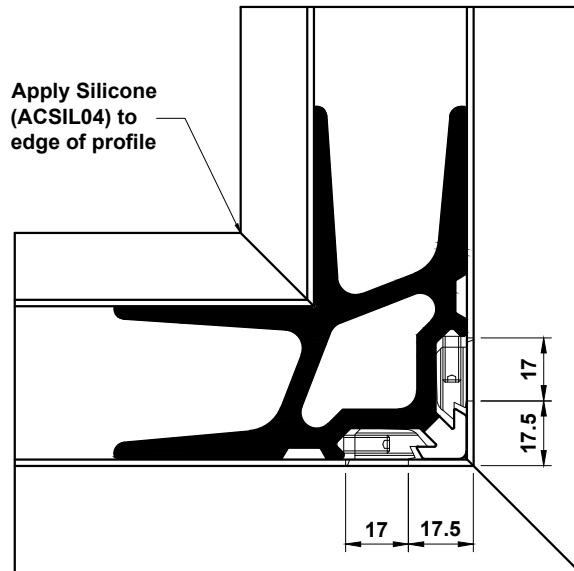
Corner Joint Details



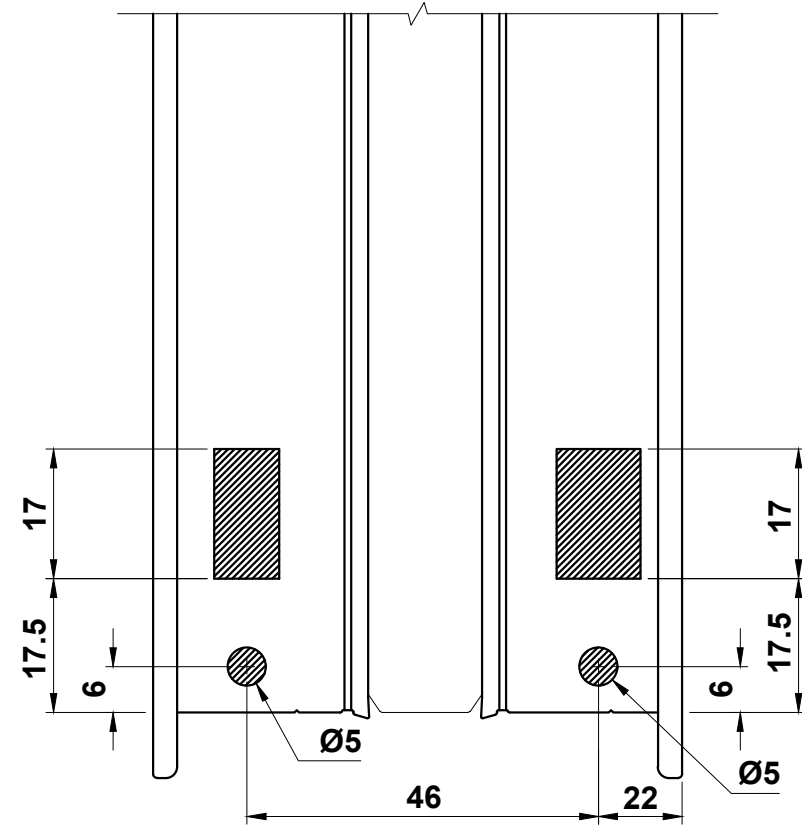
Apply Silicone (ACSIL04) to edge of profile



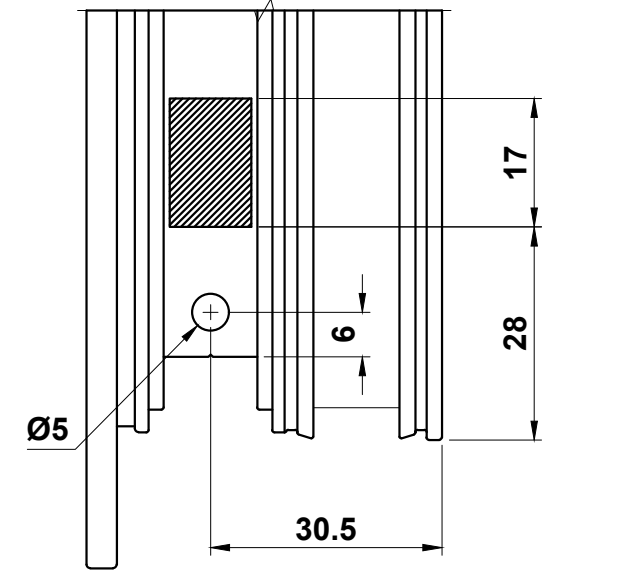
Apply Silicone (ACSIL04) to edge of profile



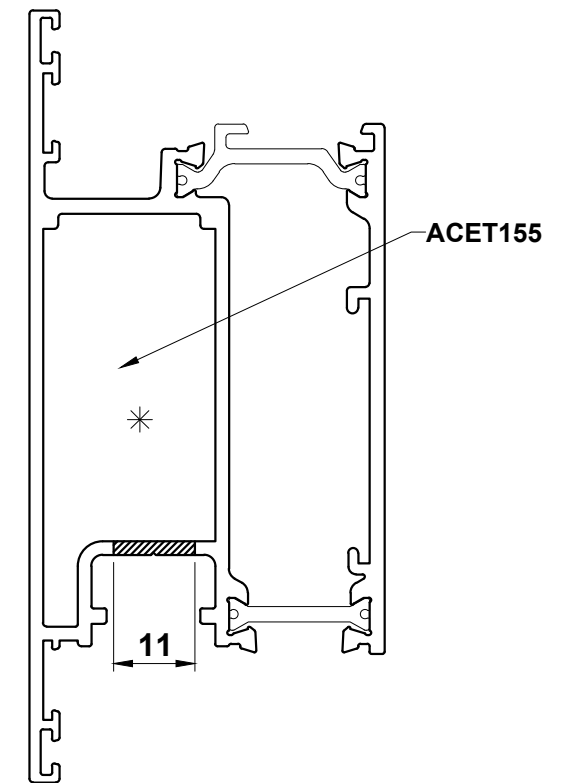
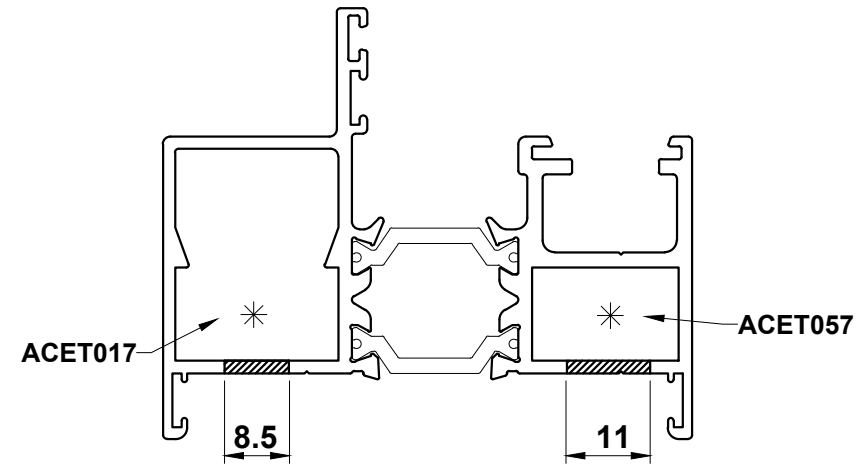
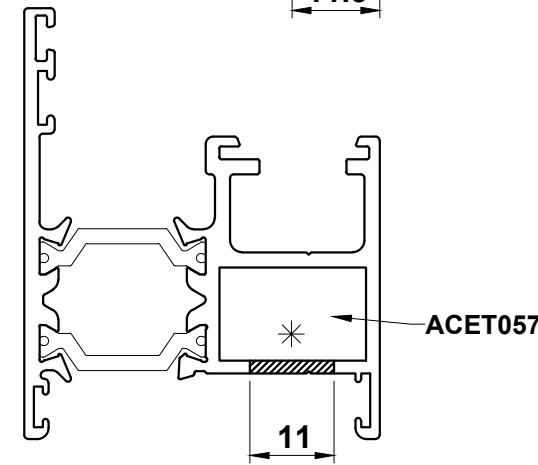
ETD012
47mm Outframe



ETD015
70mm Ovolo Outframe
ETD017
70mm Square Outframe



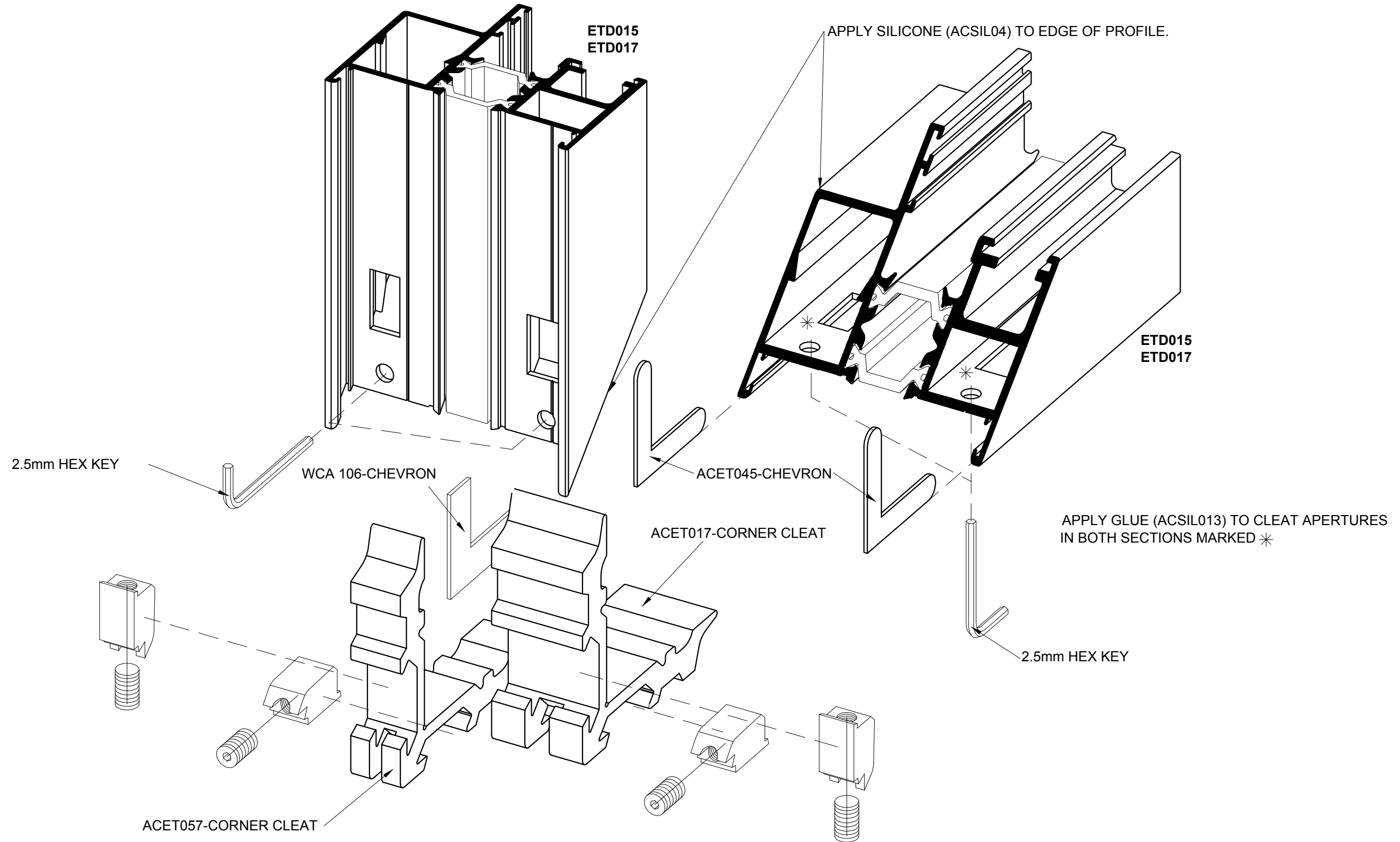
ETD025N
Open Out Sash



Apply Glue (ACSIL013) to cleat aperture marked : *

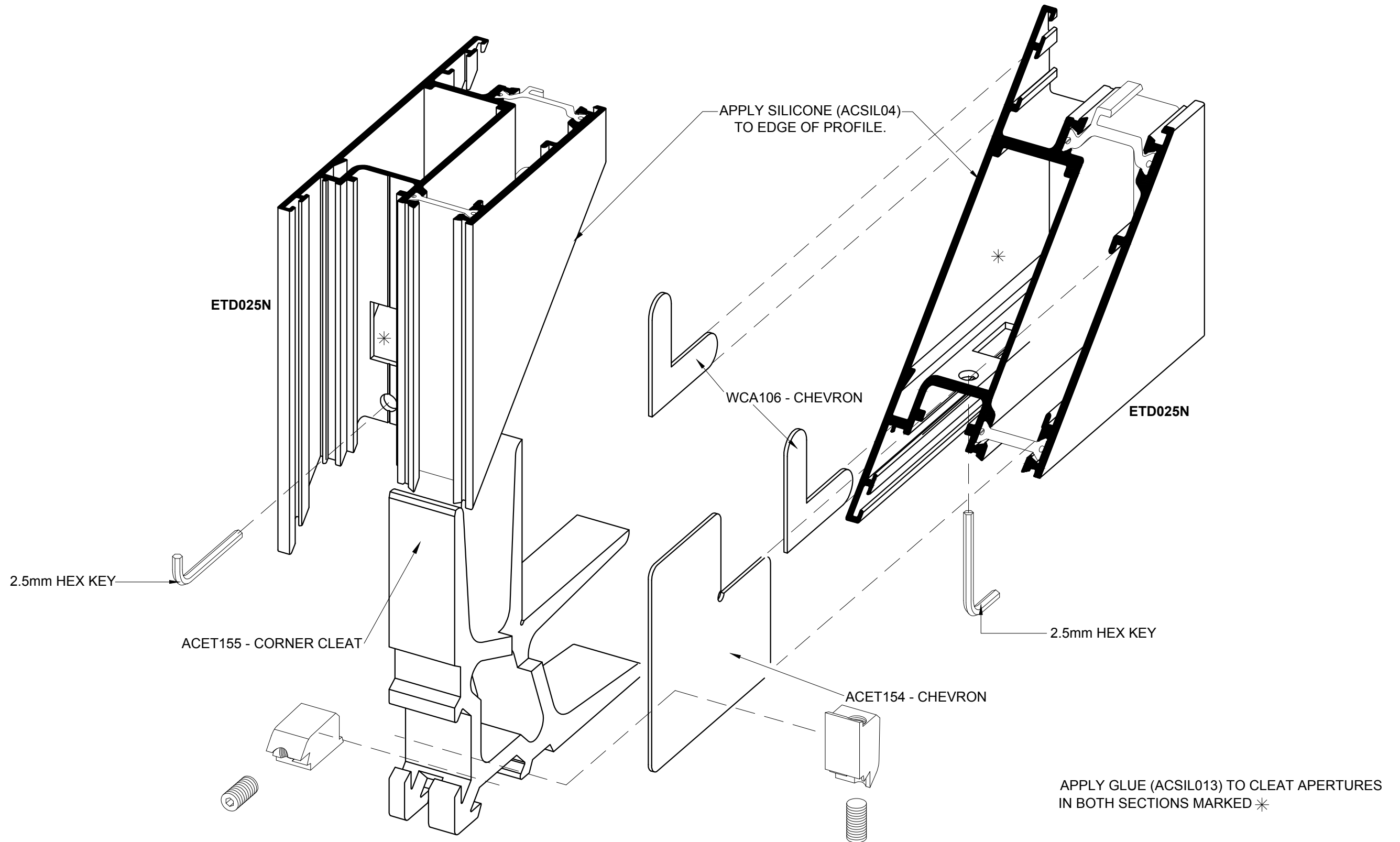
Do Not Scale From This Drawing

Outer Frame Corner Assembly



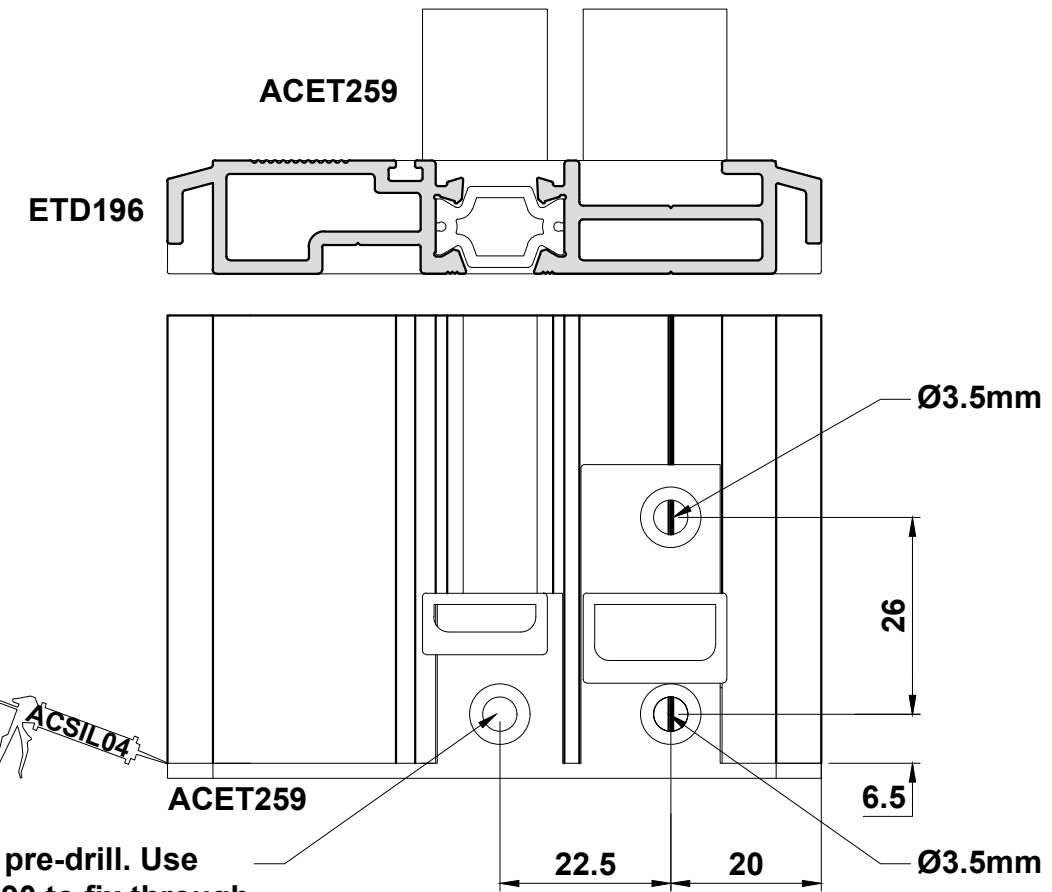
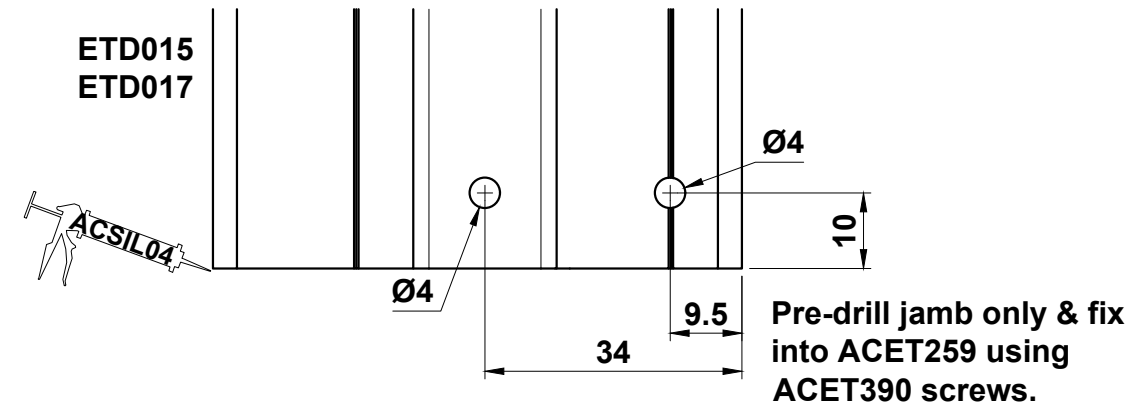
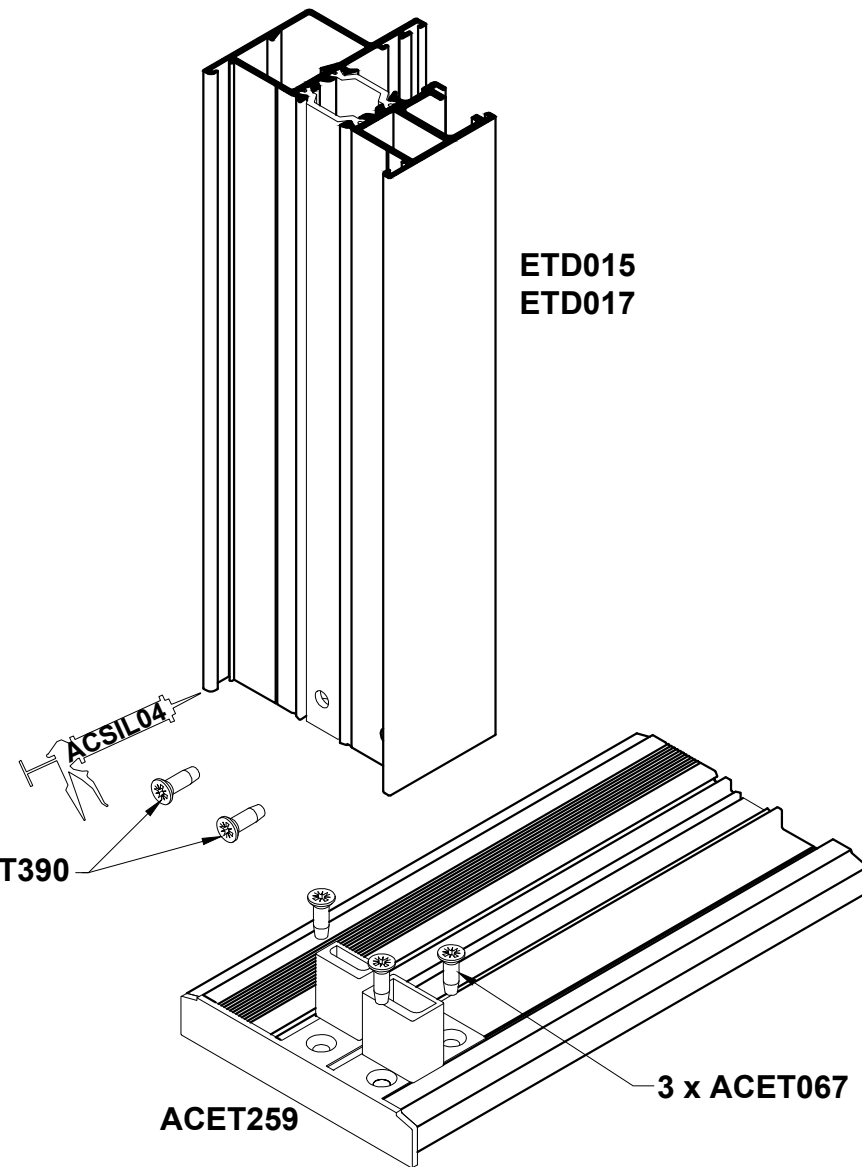
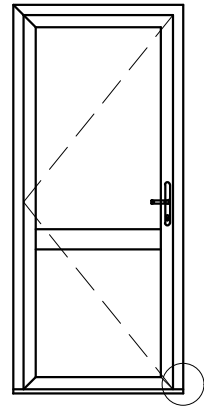
Do Not Scale From This Drawing

Sash Corner Assembly



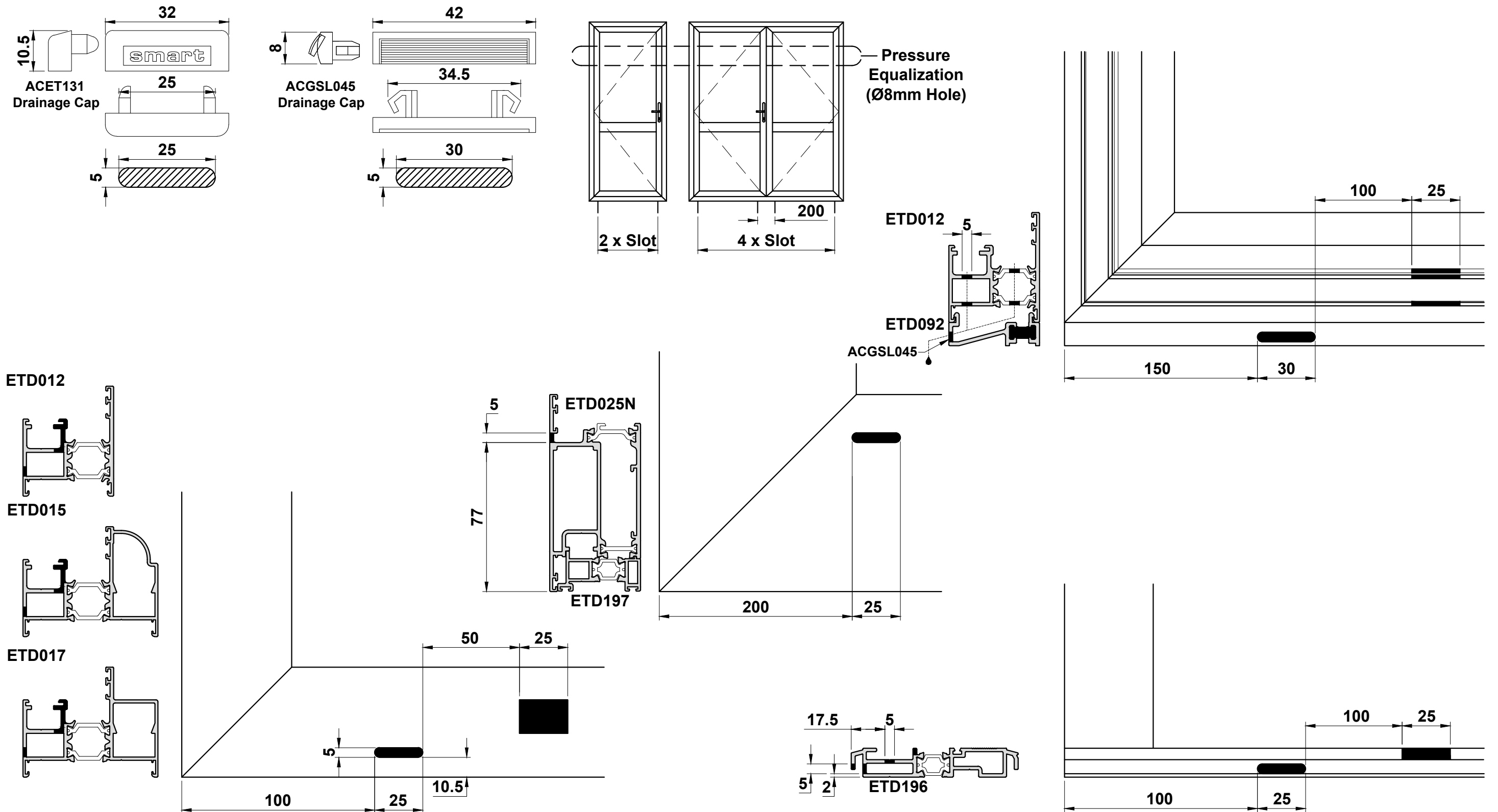
Do Not Scale From This Drawing

Low Threshold Preparation & Assembly



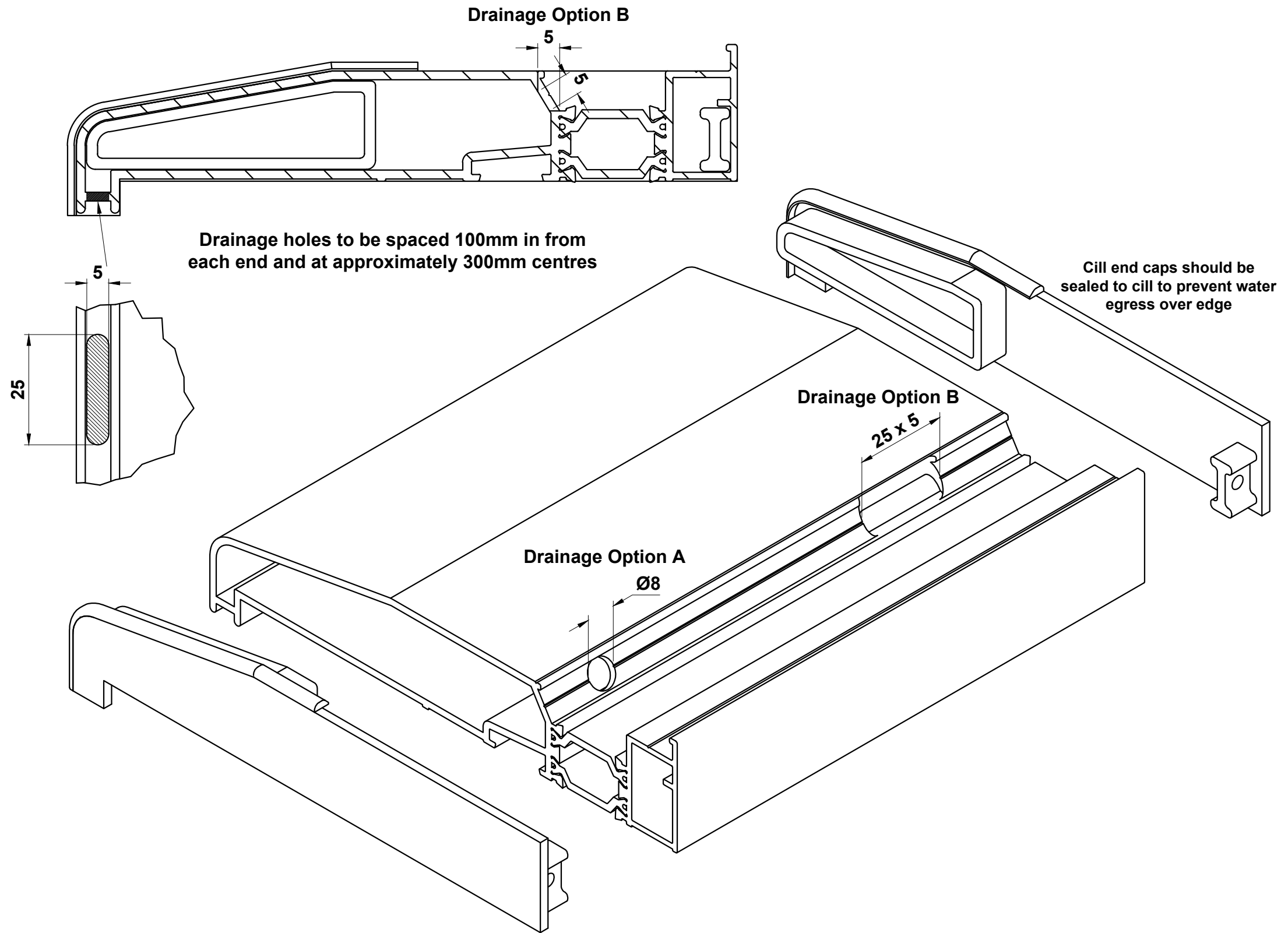
Do Not Scale From This Drawing

Drainage



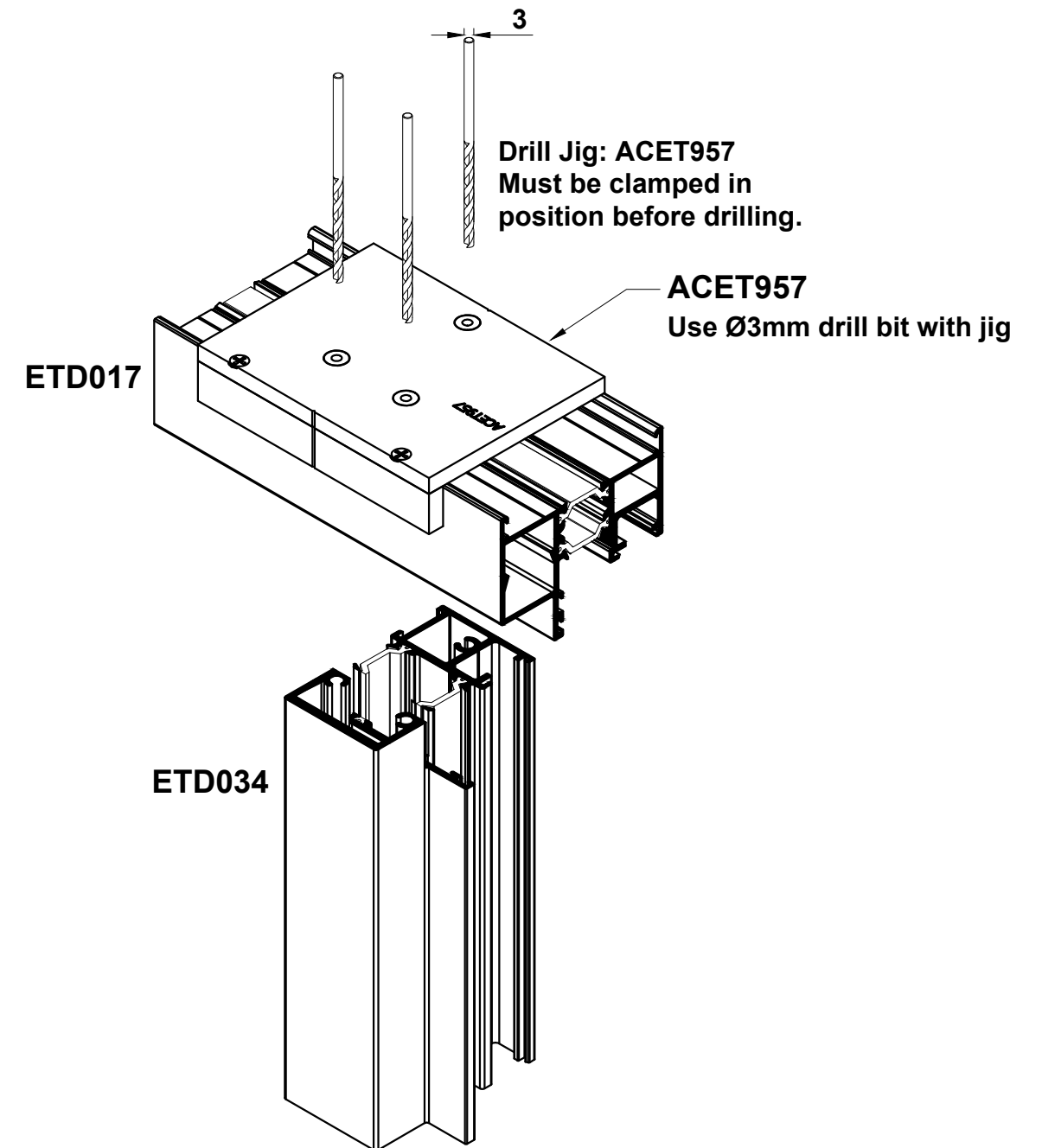
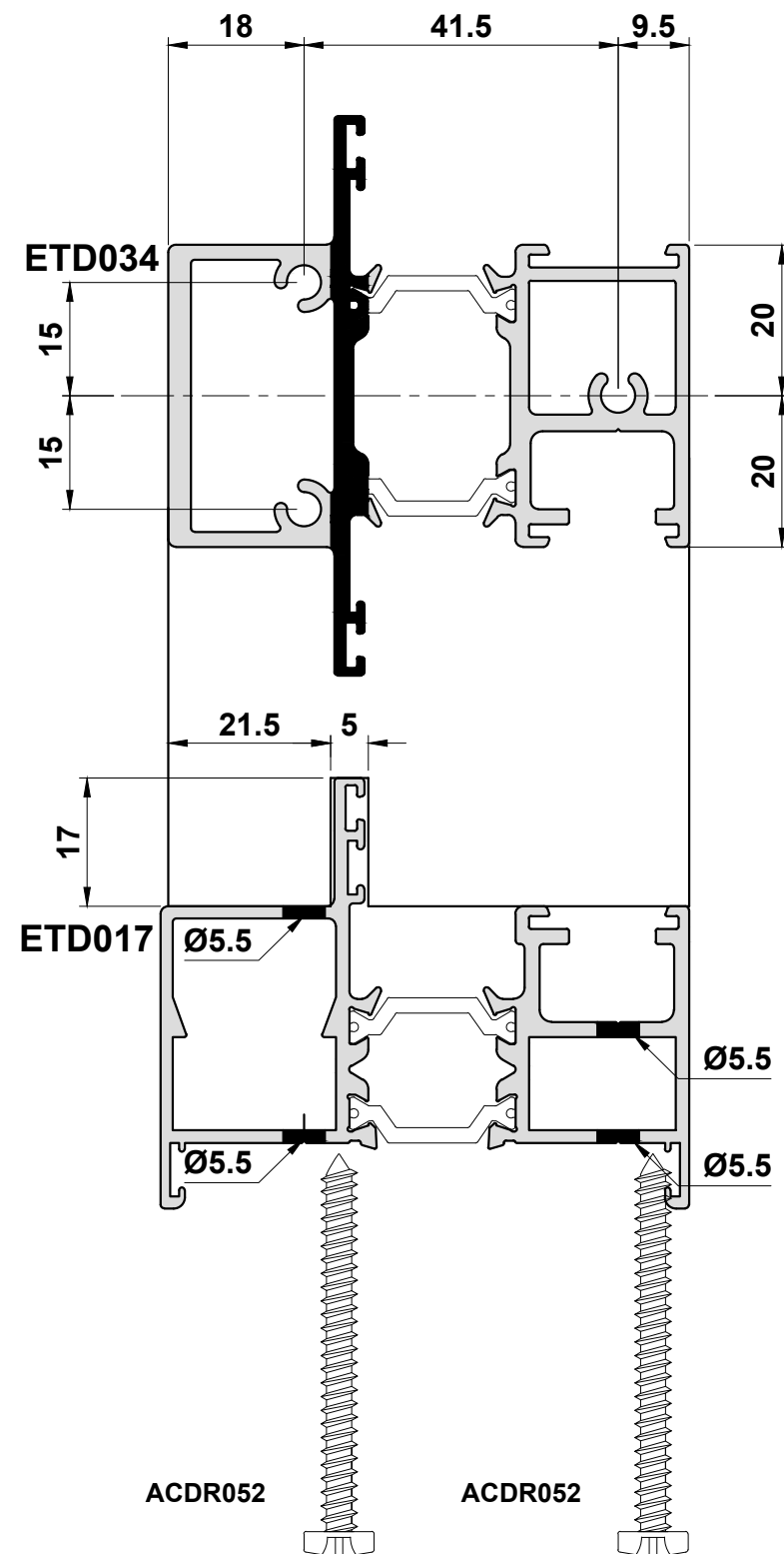
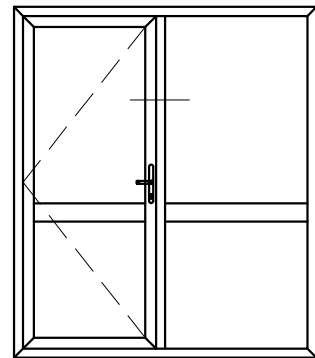
Do Not Scale From This Drawing

Cill Drainage Details

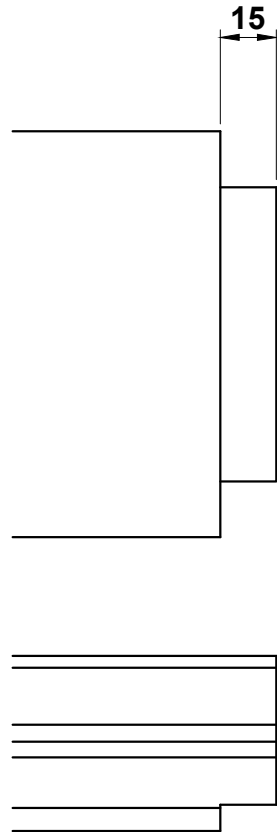
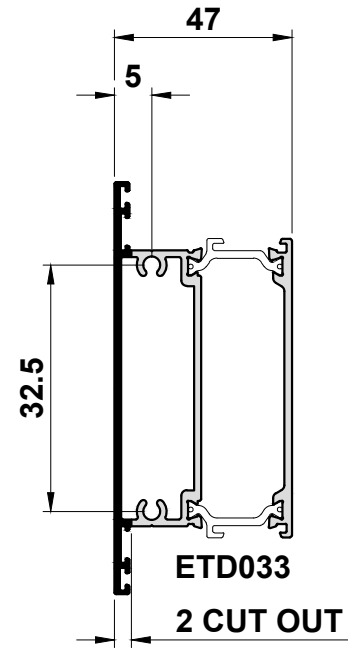


Do Not Scale From This Drawing

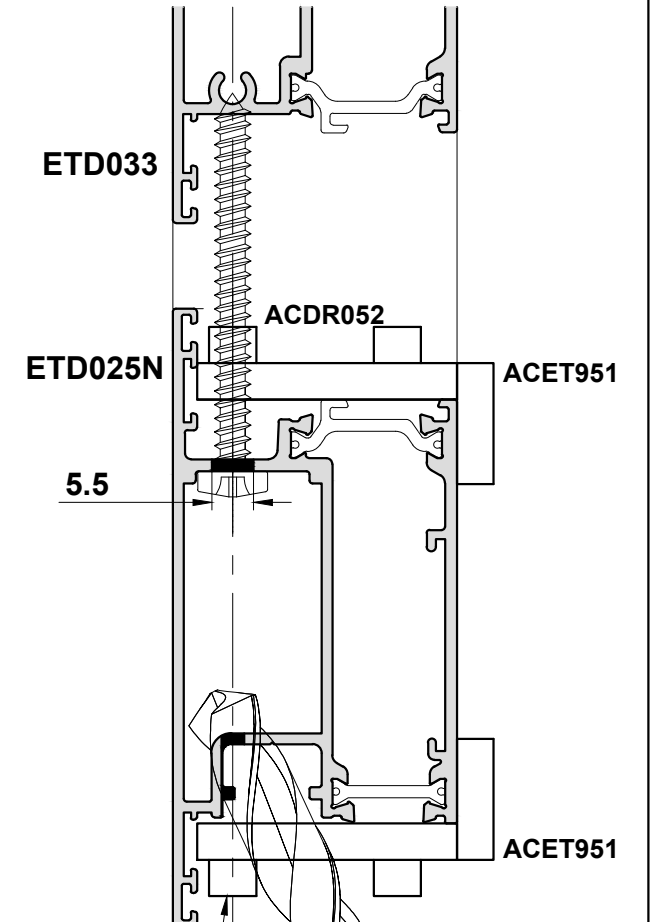
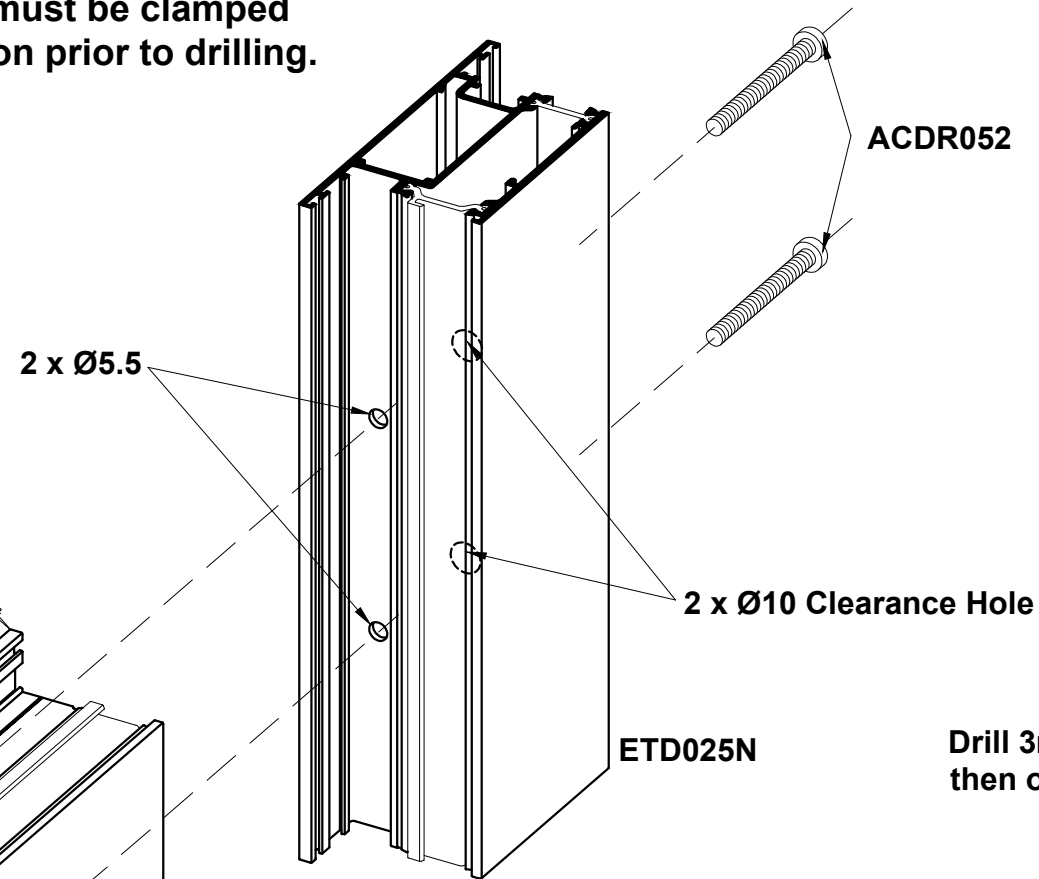
Mullion Preparation



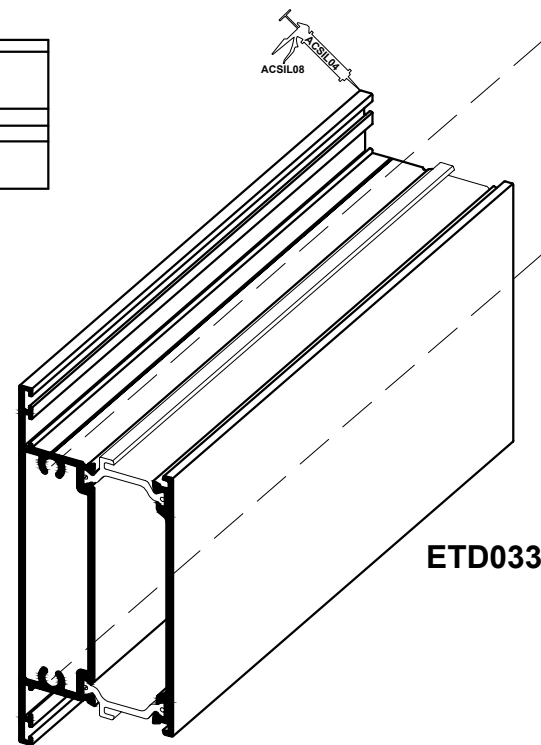
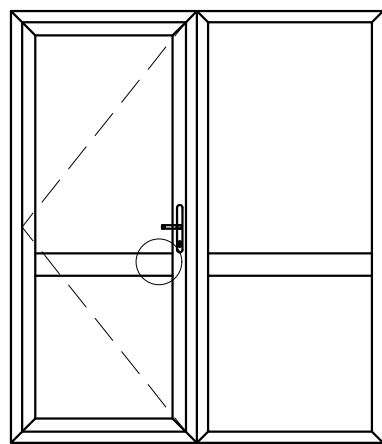
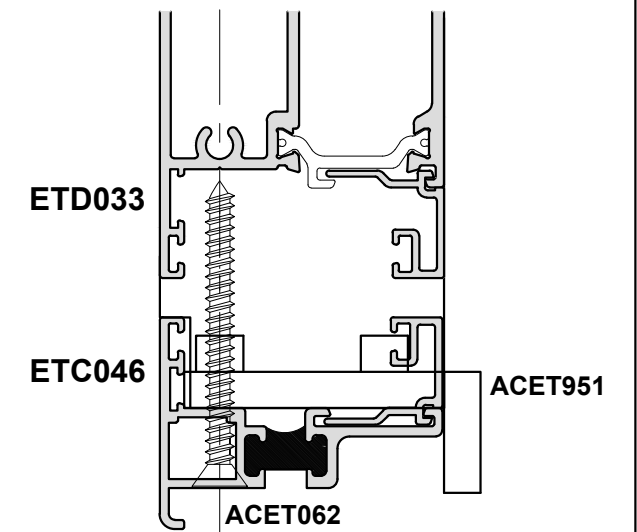
Mid Rail Preparation into Sash



Use recommended drill jig: ACET951
Important Note:
ACET951 must be clamped into position prior to drilling.



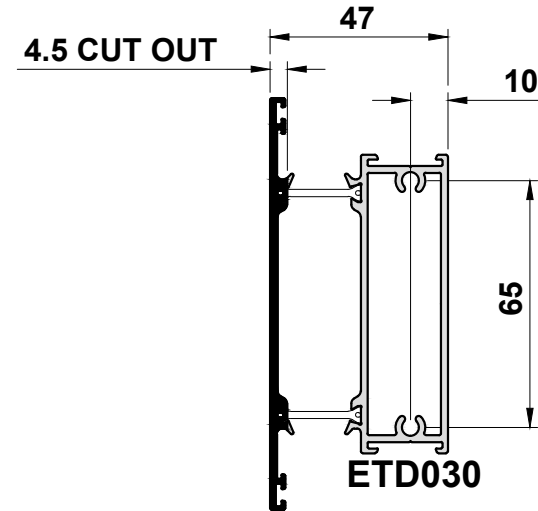
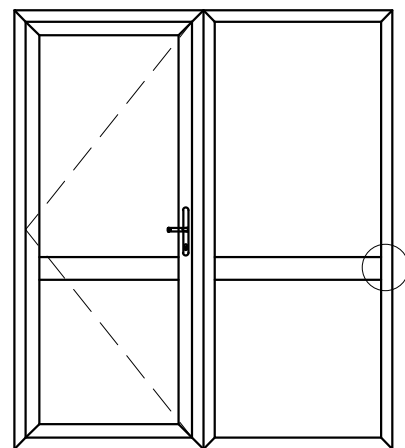
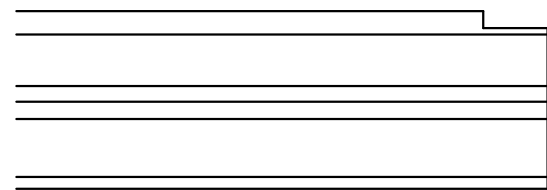
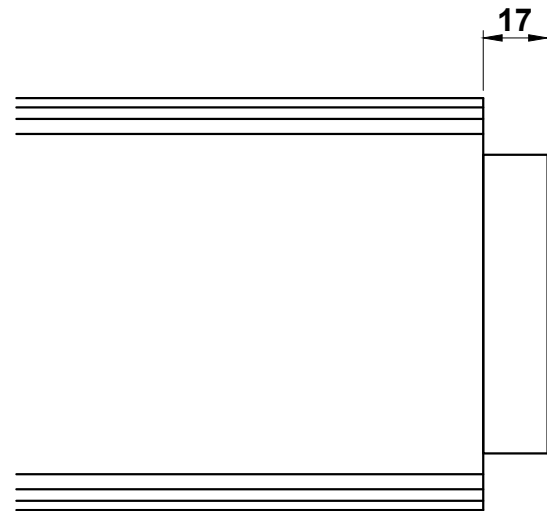
Drill 3mm pilot hole then open to 10mm



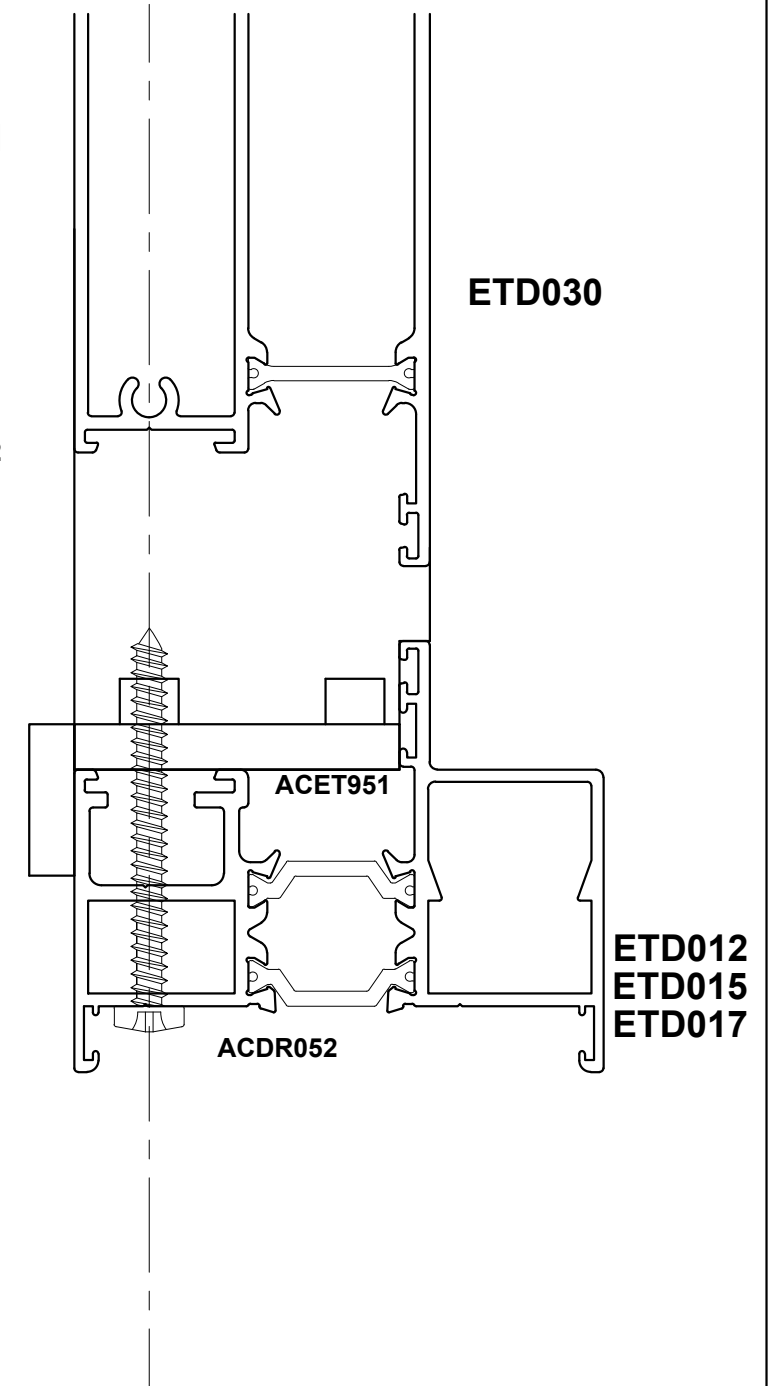
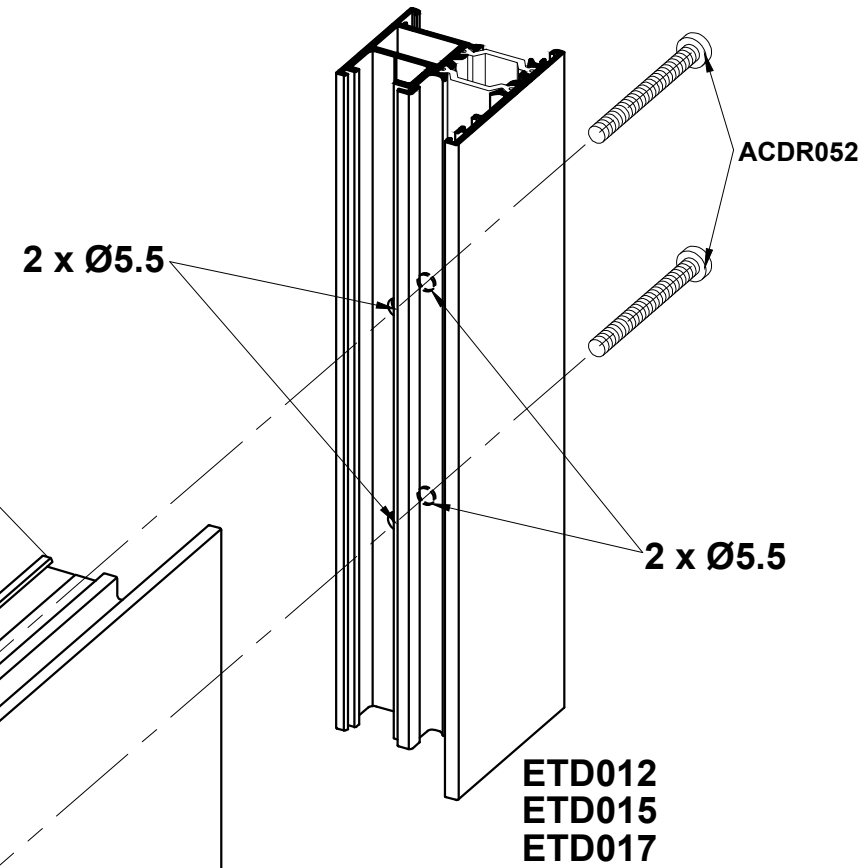
ETD033

Do Not Scale From This Drawing

Midrail Preparation into Outer Frame

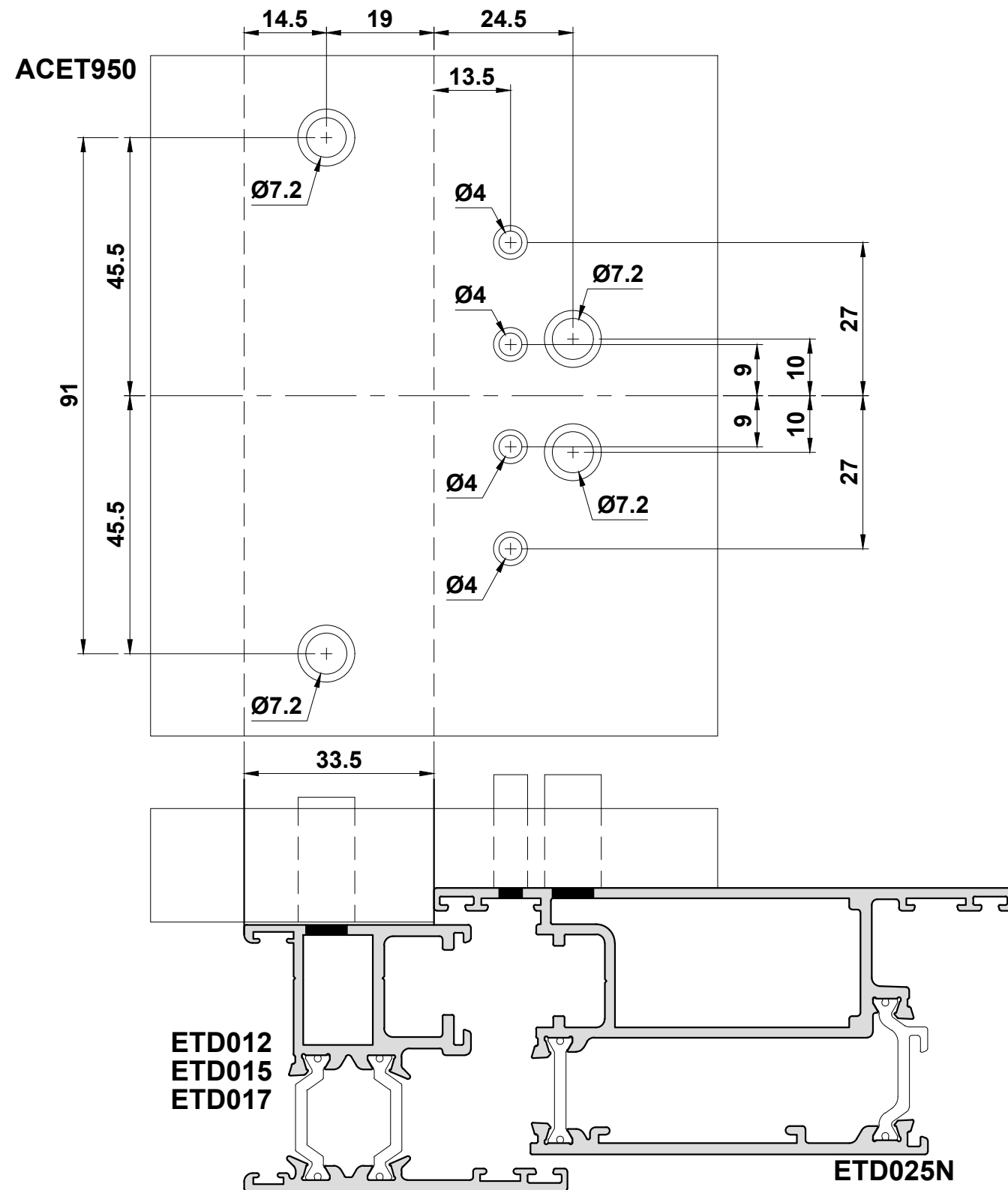


Use recommended drill jig: ACET951
Important Note:
ACET951 must be clamped
into position prior to drilling.



Do Not Scale From This Drawing

ACET250 Hinge Fitting Details

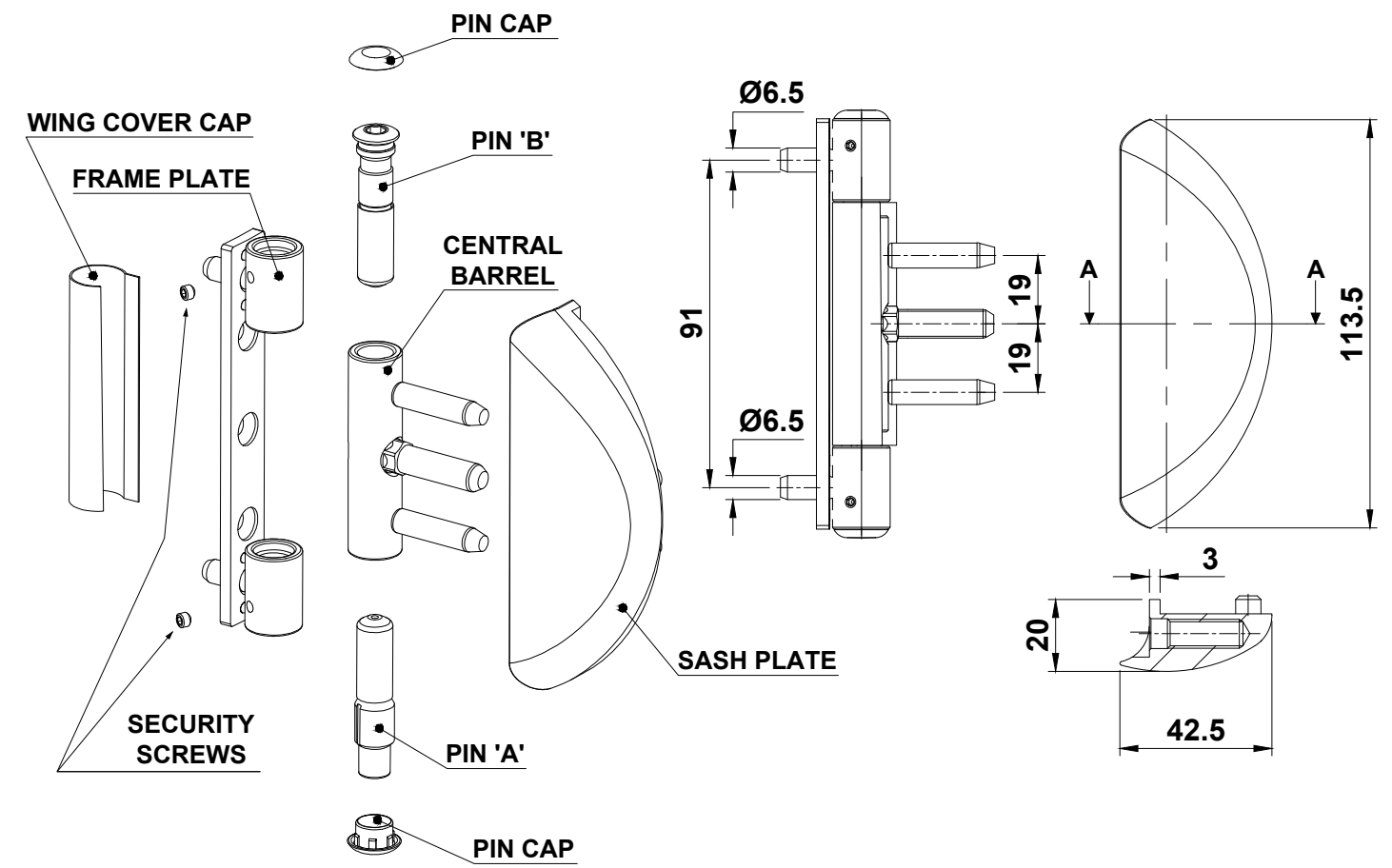
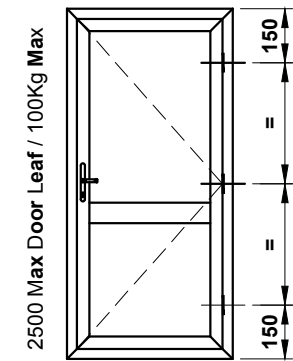


Fitting Instructions:

(Full instructions are supplied with each ACET250 Hinge)

1. Align outer frame and sash in correct position
2. Clamp drill jig ACET950 over the centre line of the hinge
3. Drill through all bushes marked '1' with a Ø7.2mm drill bit (supplied) and through all bushes marked '2' with a Ø4mm drill bit (not supplied)
4. Fasten the sash plate
5. Fasten the frame plate using ACIM062 screws ensuring the grub screws are positioned towards the door sash
6. Drive in the central barrel until it lines up with the rings on the frame plate
7. Drive in pin 'B' to the top of the hinge and then drive in pin 'A' to the bottom of the hinge
8. Open the door and lightly tighten the security screws
9. Adjust hinge as required then insert caps and cover caps.

UP TO 1000 DOOR LEAF

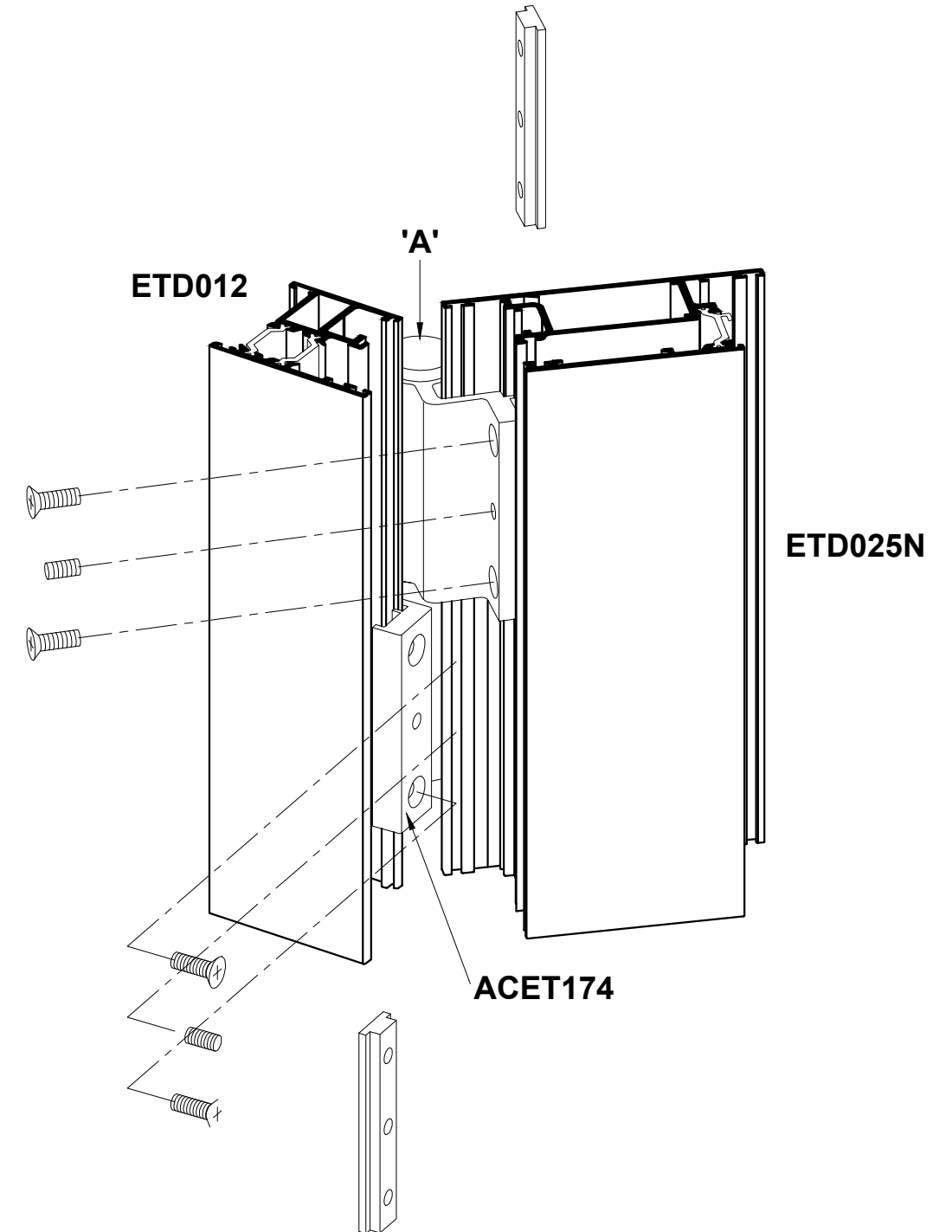
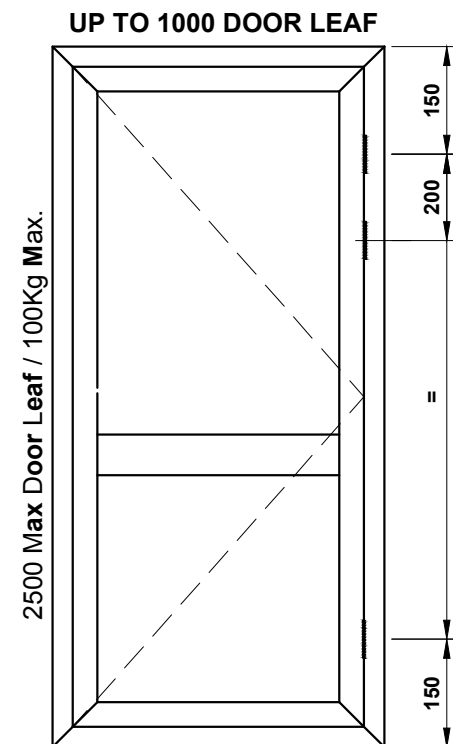
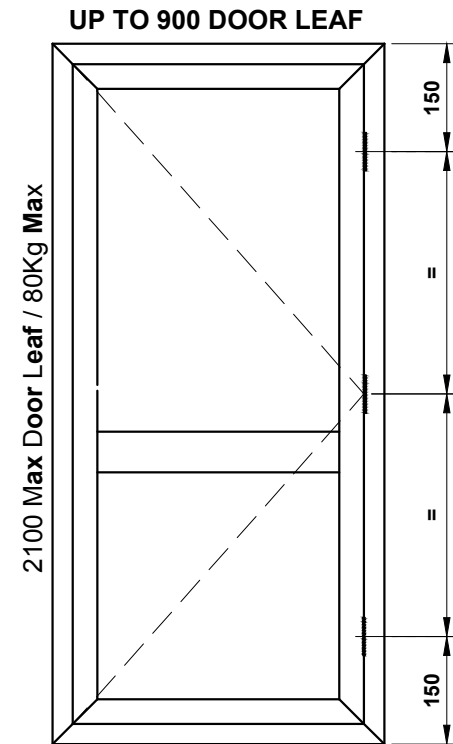


Do Not Scale From This Drawing

ACET174 Hinge Fitting Details

Assembly Instructions:

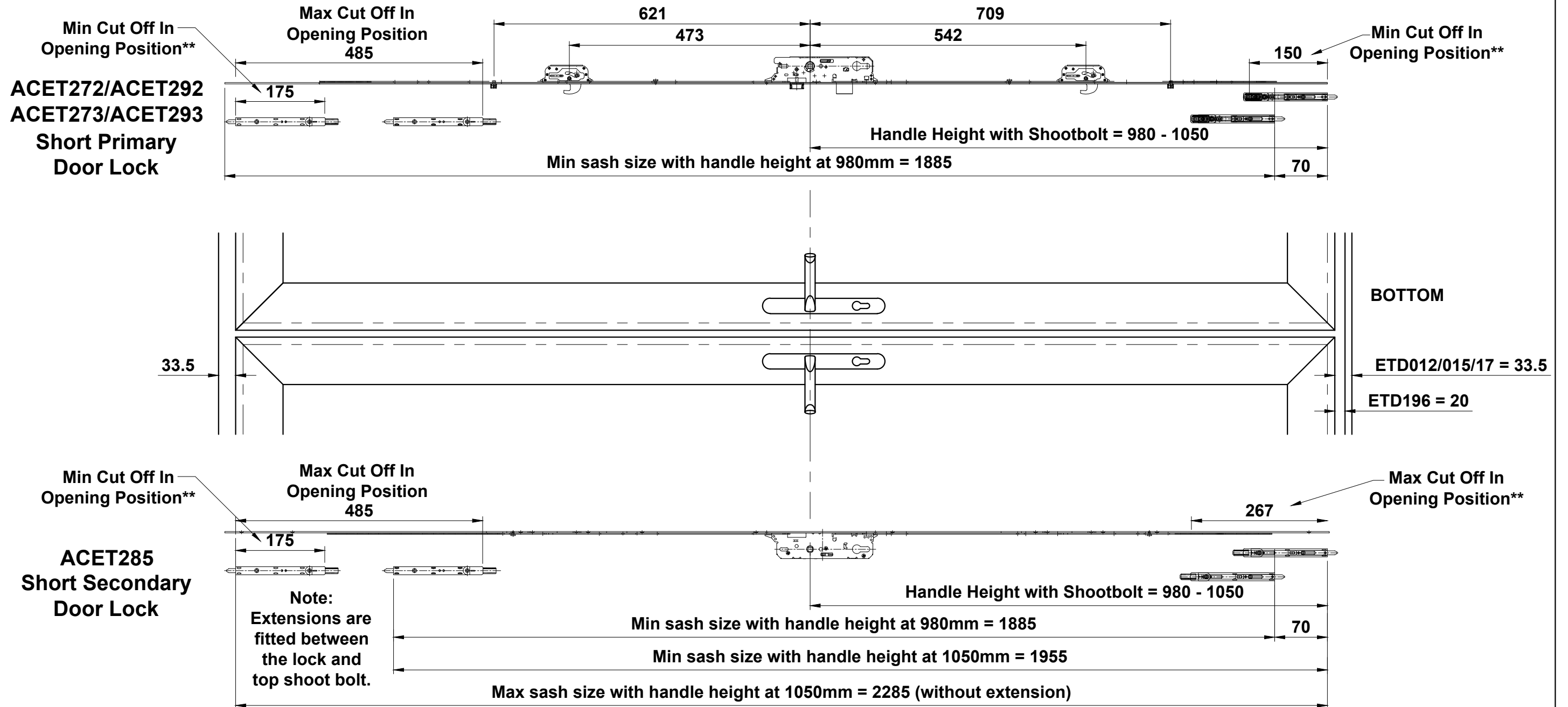
1. Fix 2no M5x10mm grub screws to sash frame clamp plate and slide into sash eurogroove to hinge position.
2. Locate hinge and clamp in position using 2no M5x10mm machine screws.
3. Fix sash to outer frame using clamp plates and fit M5 x 15mm CSK machine screws and adjust for correct position.
4. If the sash requires adjustment after the door has been glazed this can be achieved by loosening the clamp plate machine screws, adjusting the sash height and tightening the clamp plates.
5. The final adjustment of the sash width and compression of the gasket when the sash is closed can be achieved by rotating the cam in the hinge (A).



Do Not Scale From This Drawing

Lock Selection with Shootbolts

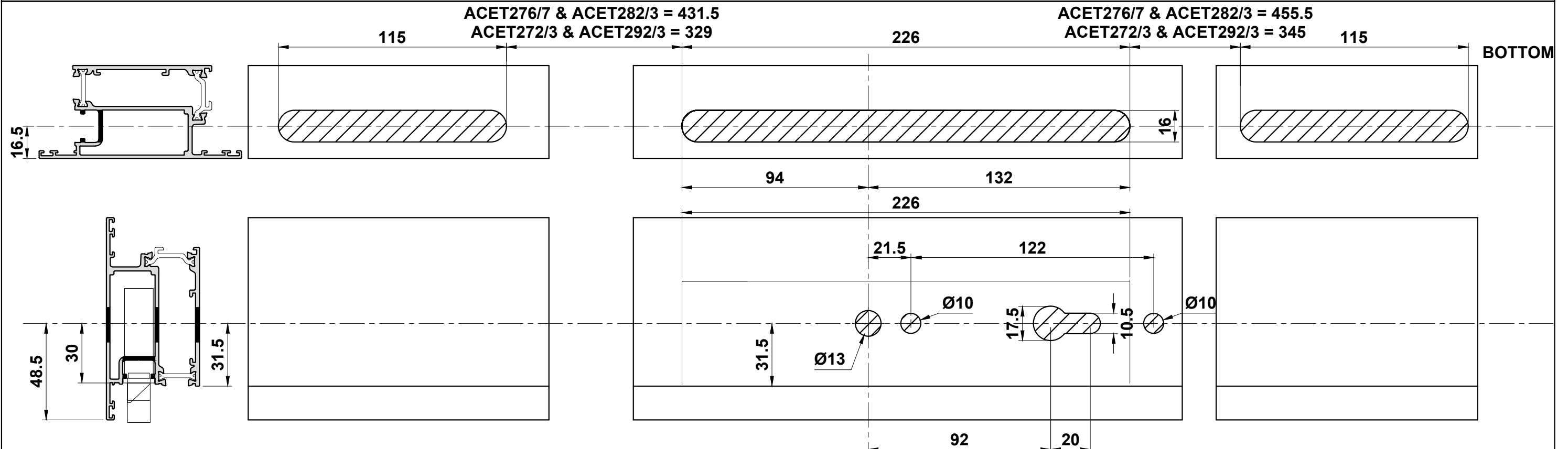
Note: ACDV742 & ACDV744 extensions may used with all locks



*Maximum sash height is 2500mm. Sizes shown here only indicate sizes with ACDV744.
**Minimum cut off positions are required to fit the shoot bolts.

Do Not Scale From This Drawing

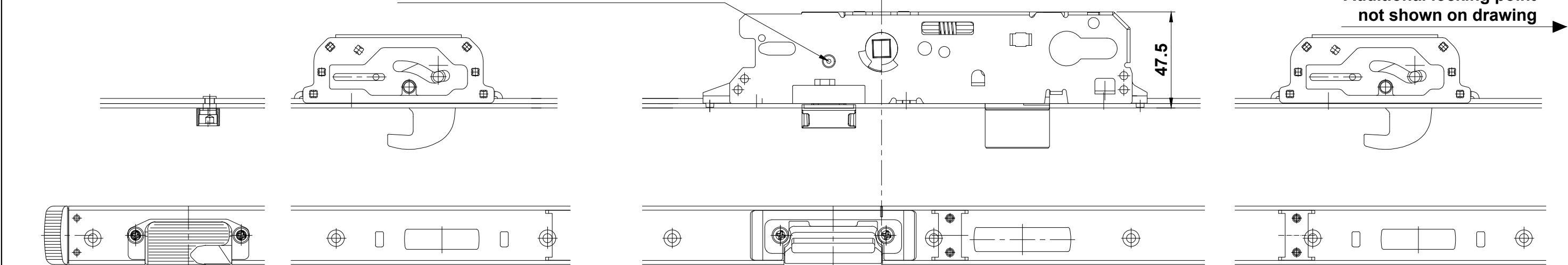
Primary Door Lock Fitting Details with ACDV251 or ACET480 Handle



Note: The fitting instructions for ACET480 are included in the handle box

Undo this grub screw to rotate latch

Additional locking point not shown on drawing

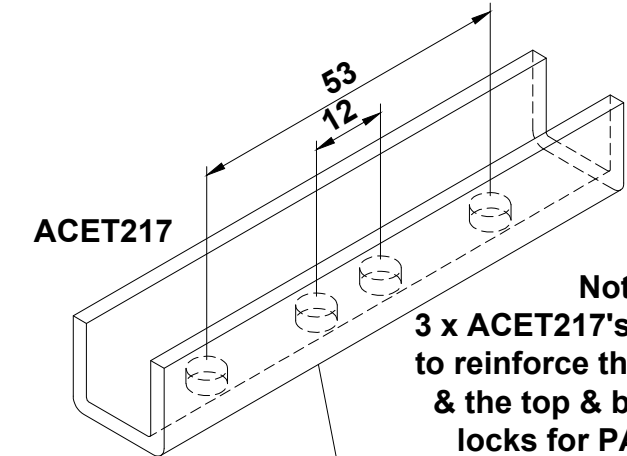
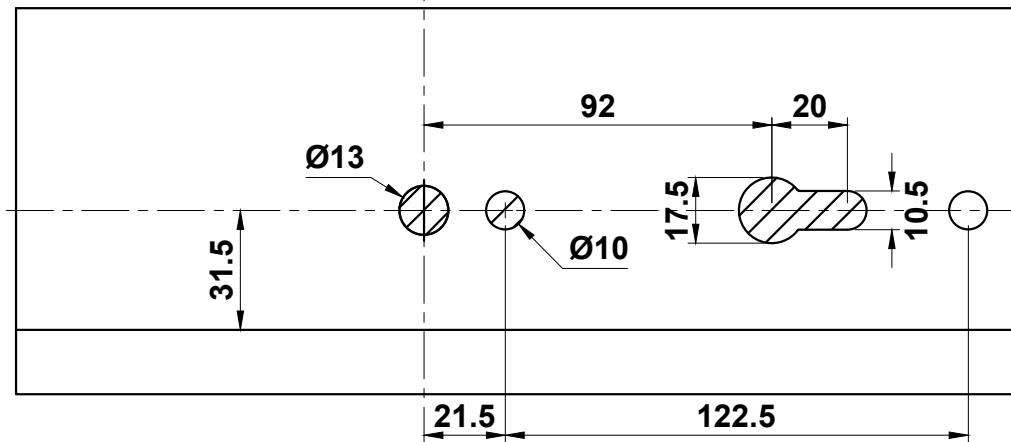
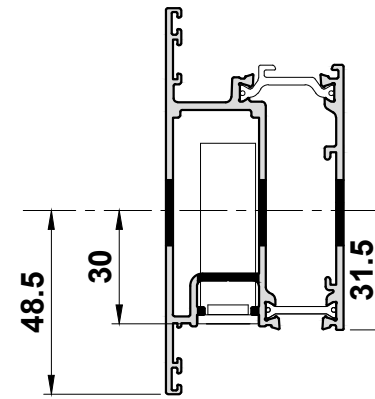
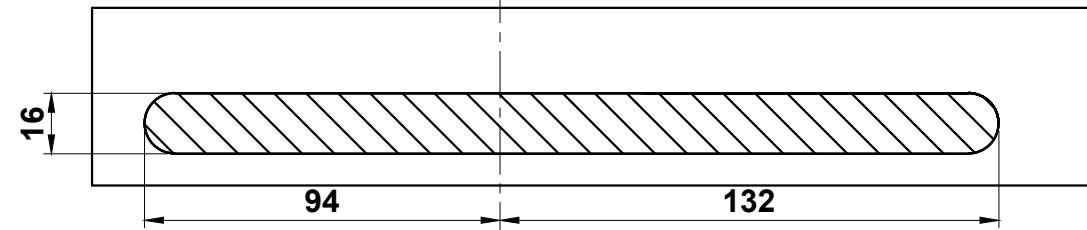
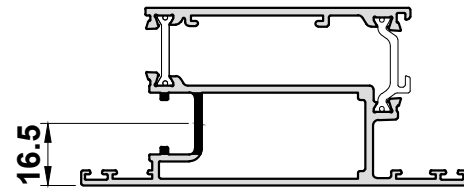


Note: ACET272, ACET273, ACET276, ACET277, ACET282 & ACET283 are supplied with full height keeps
ACET292 & ACET293 are supplied with individual keeps

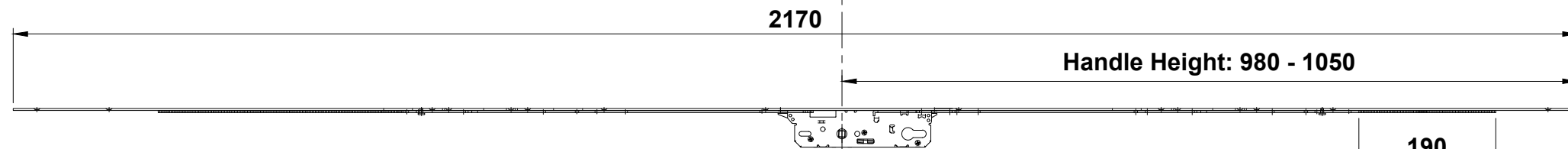
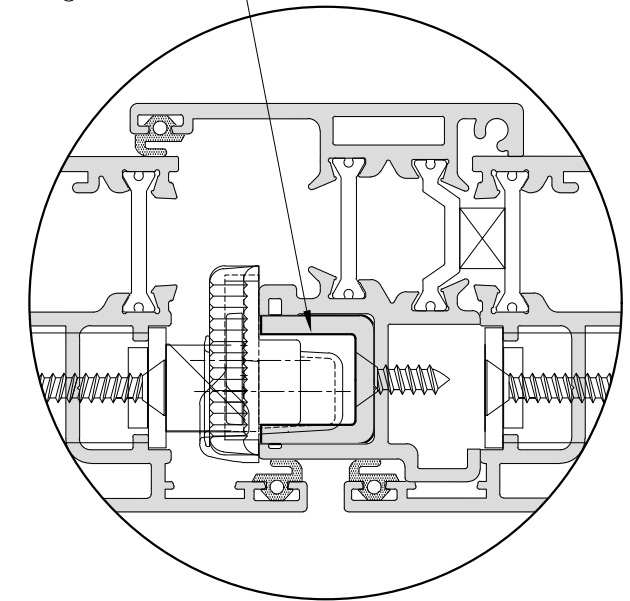
Do Not Scale From This Drawing

Secondary Door Lock Fitting Details

BOTTOM



Note:
3 x ACET217's are required to reinforce the centre lock & the top & bottom hook locks for PAS24:2016

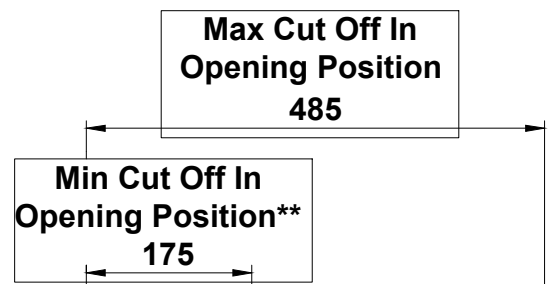


190
Serration

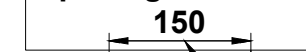
Maximum overall door height (mm) including outer frame:

	Without Extension	ACDV742 200mm Extension	ACDV744 400mm Extension
Standard Threshold	2352	2552	2752*
ETD196 Low Threshold	2338	2538	2738*

*Maximum sash height is 2500mm. Sizes shown here only indicate sizes with ACDV744.
**Minimum cut off positions are required to fit the shoot bolts.



Min Cut Off In Opening Position**

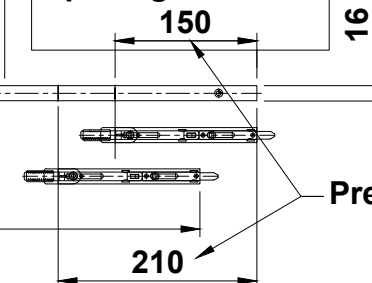


Note:
Extensions are fitted between the lock and top shoot bolt.

Min sash size with handle height at 980mm = 1885

Min sash size with handle height at 1050mm = 1955

Max sash size with handle height at 1050mm = 2285

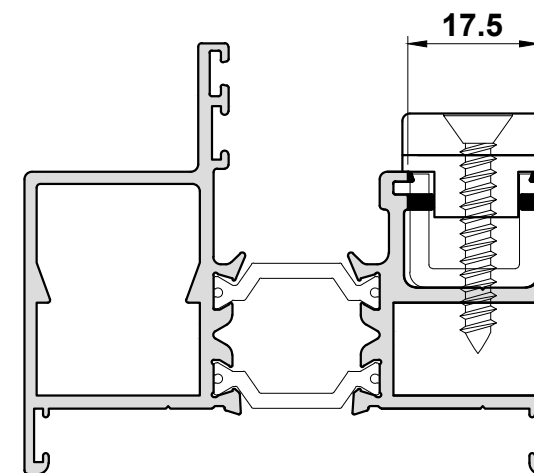
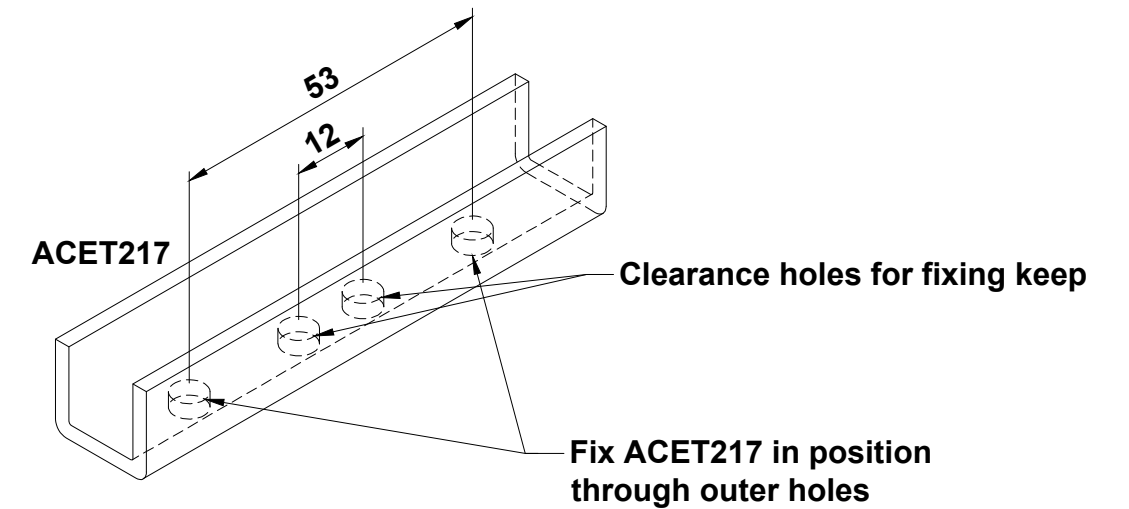
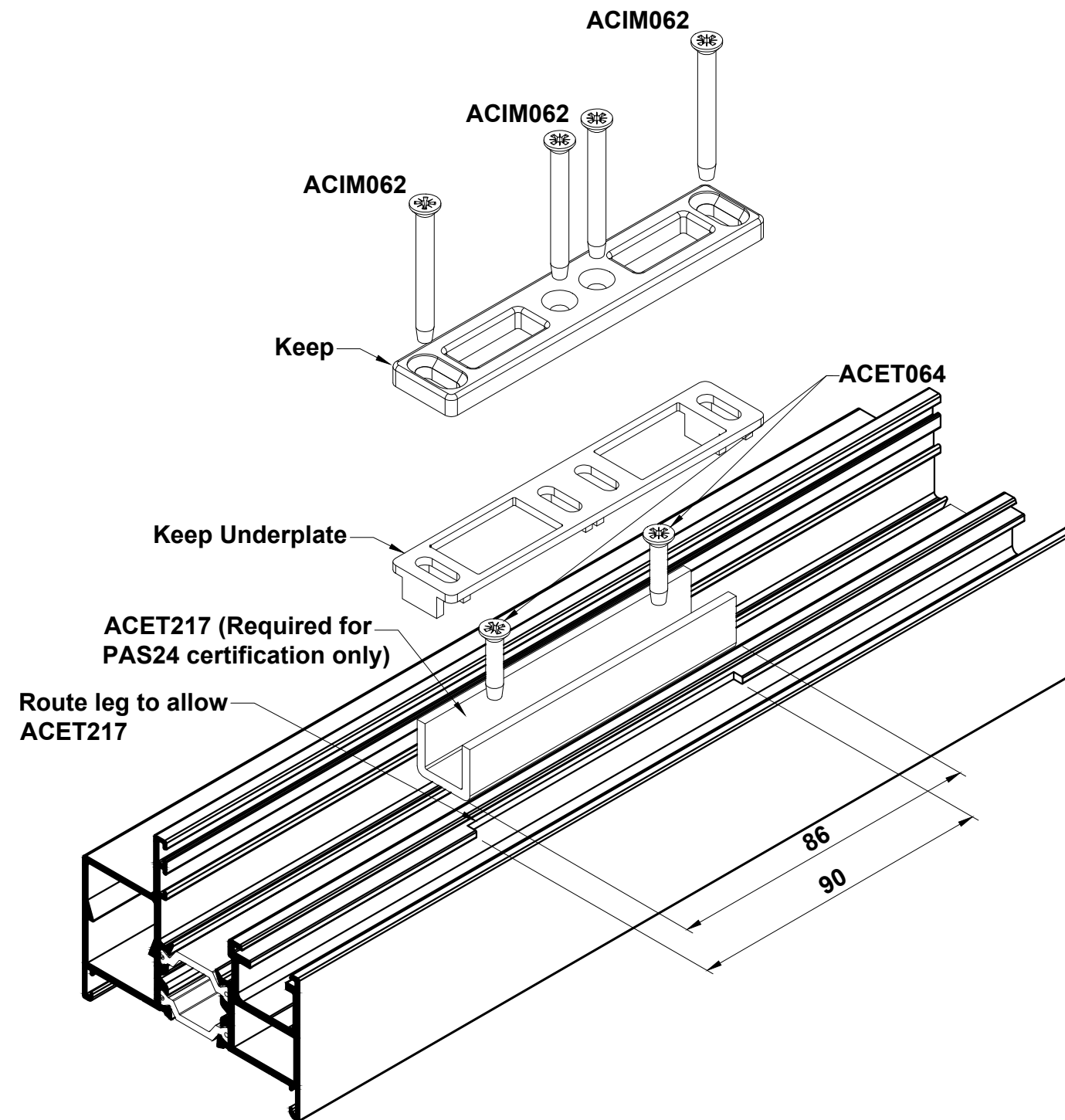


Pre-marked on lock face

BOTTOM

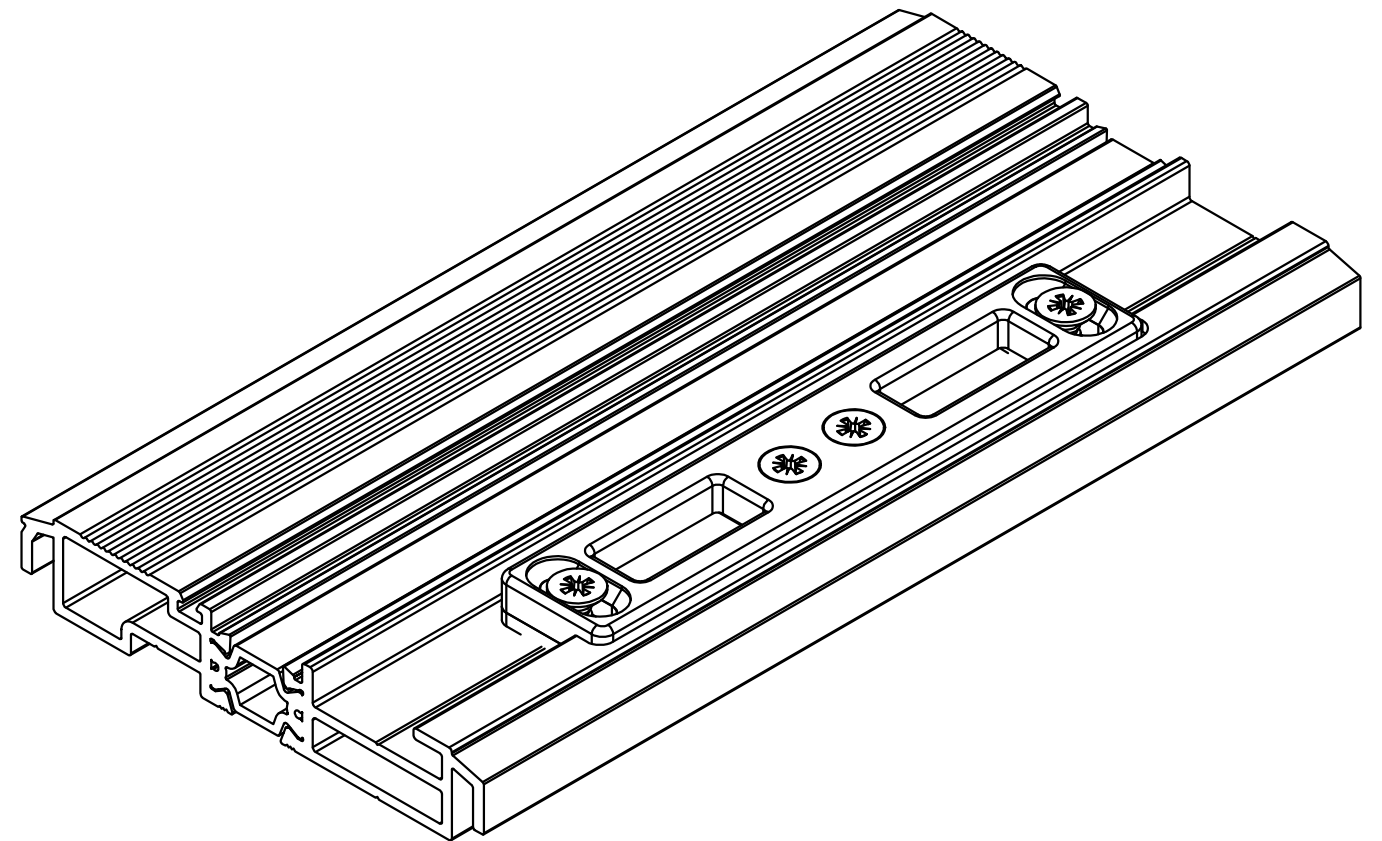
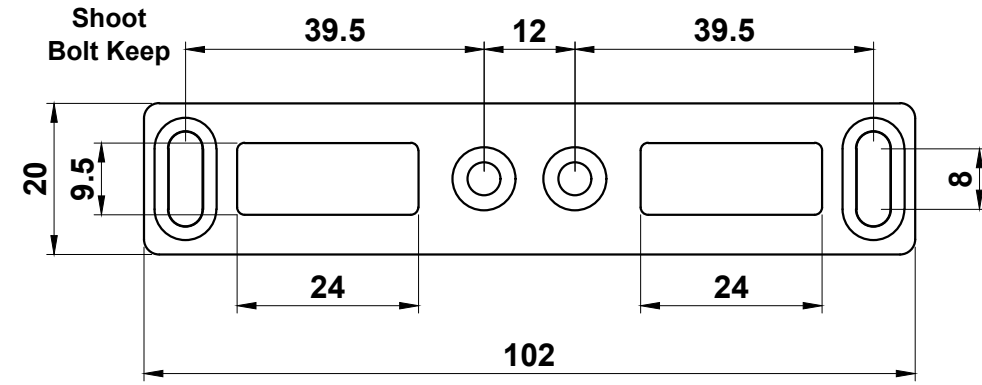
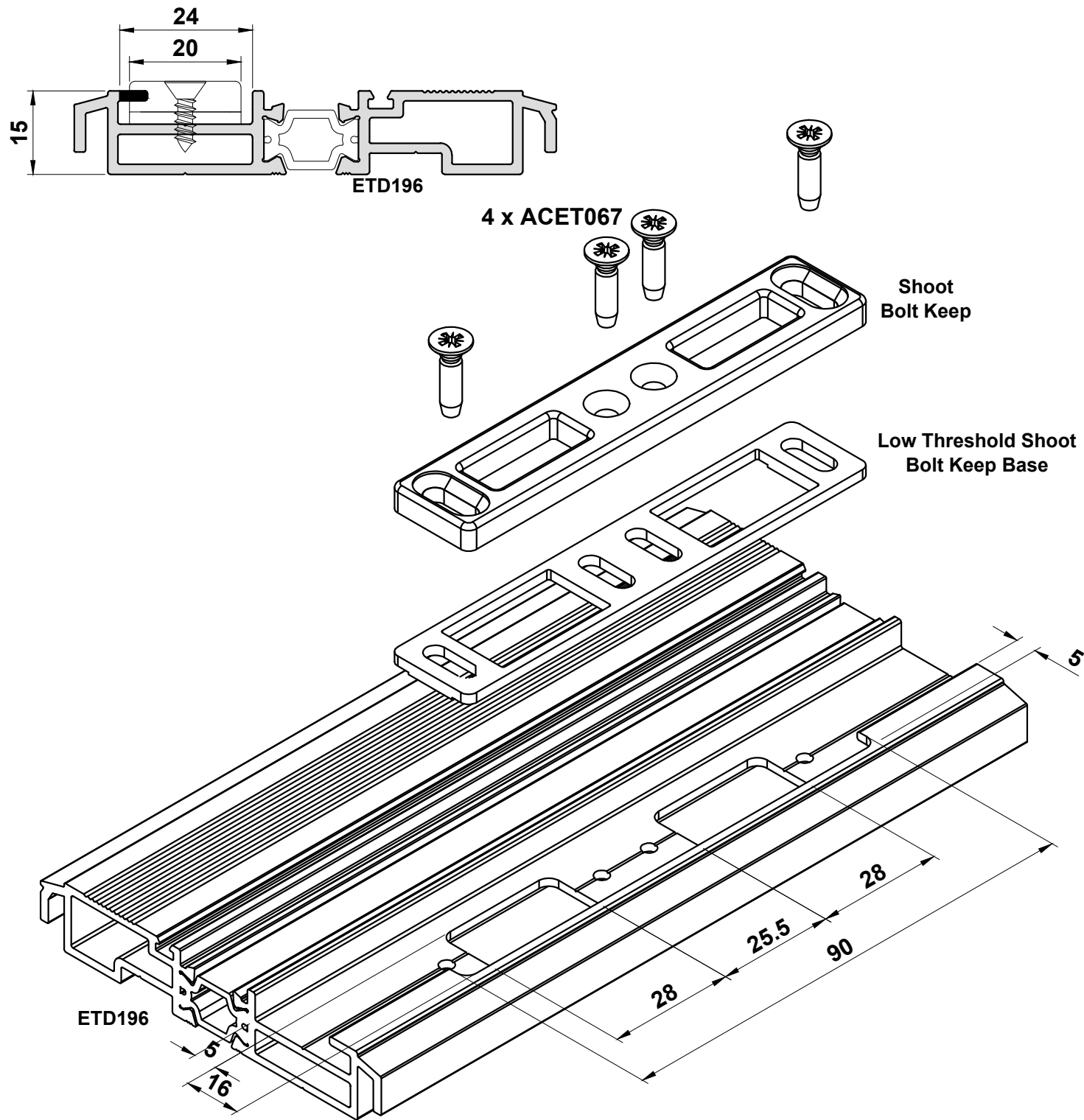
Do Not Scale From This Drawing

Shootbolt Keep Fitting Details



Do Not Scale From This Drawing

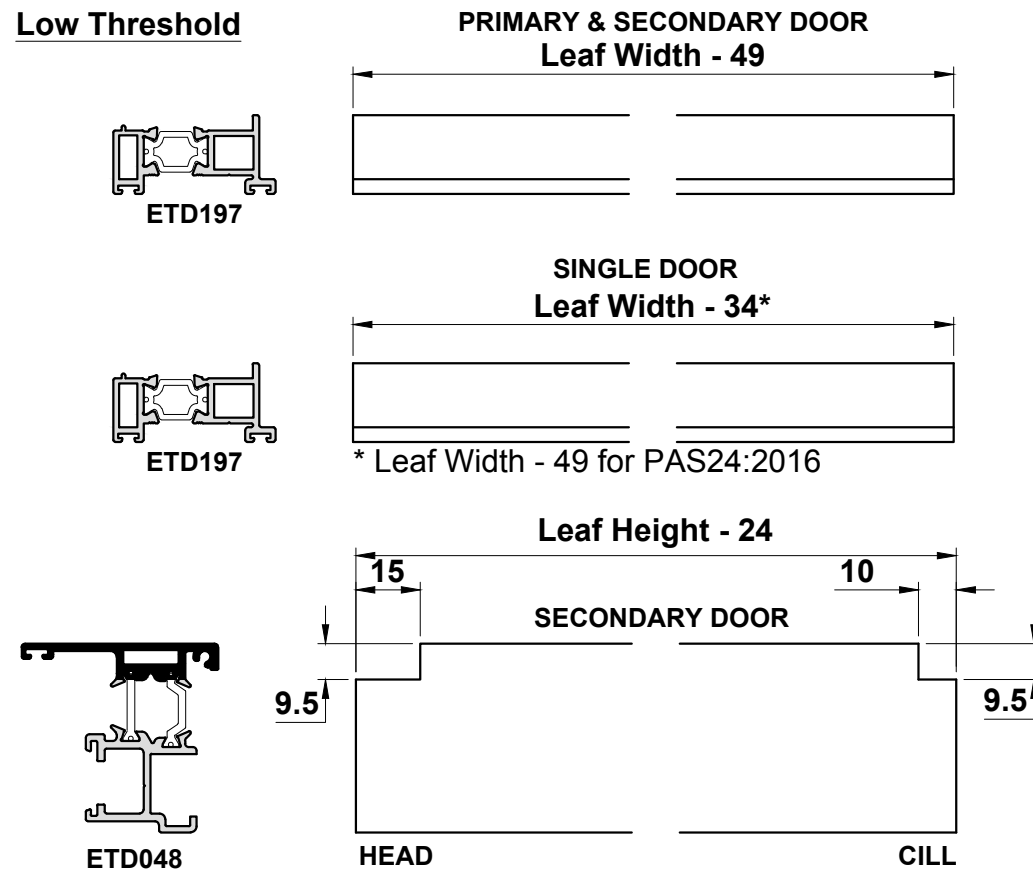
Shootbolt Keep Fitting Details in Low Threshold



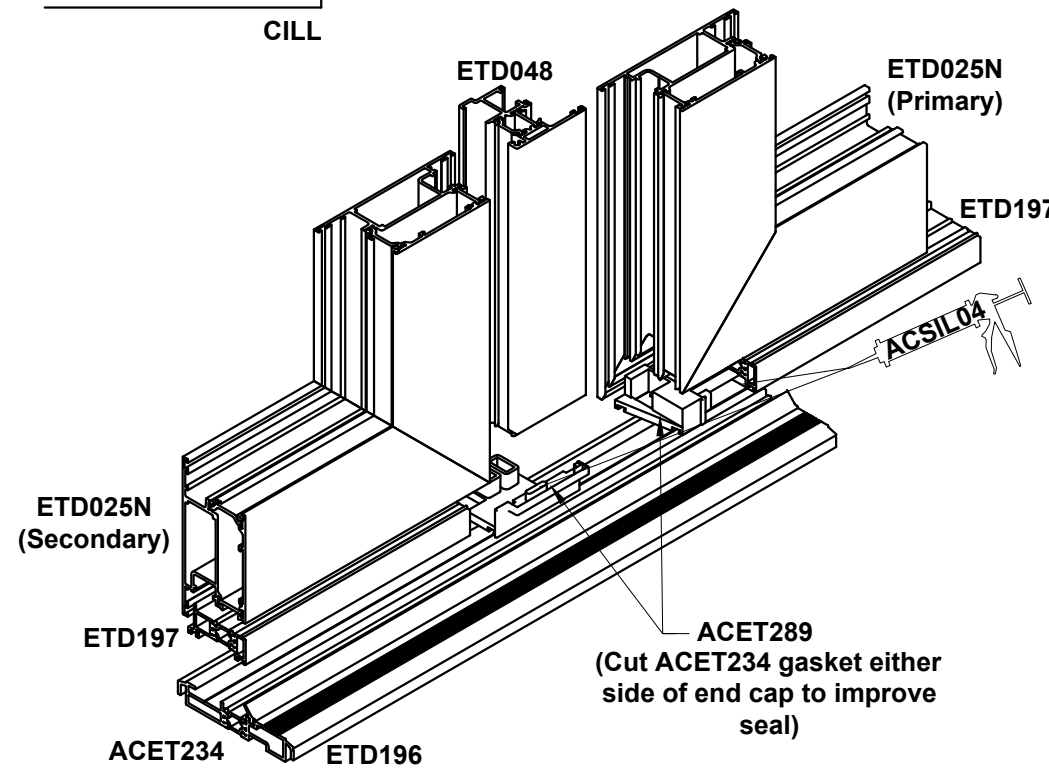
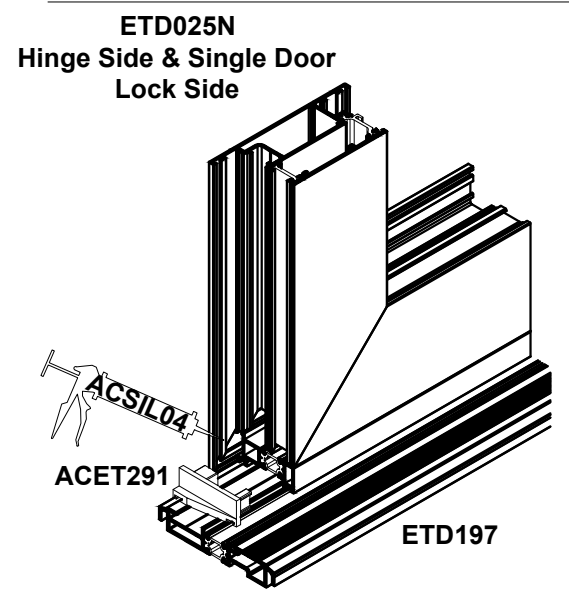
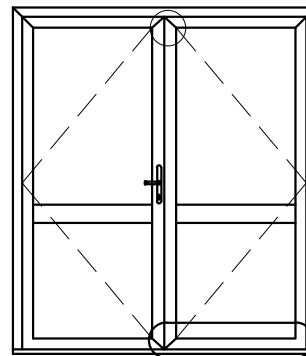
Do Not Scale From This Drawing

ETD048 & ETD197 Cutting & Notch Details

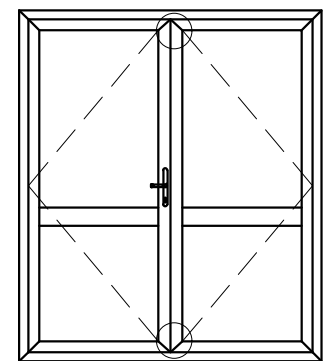
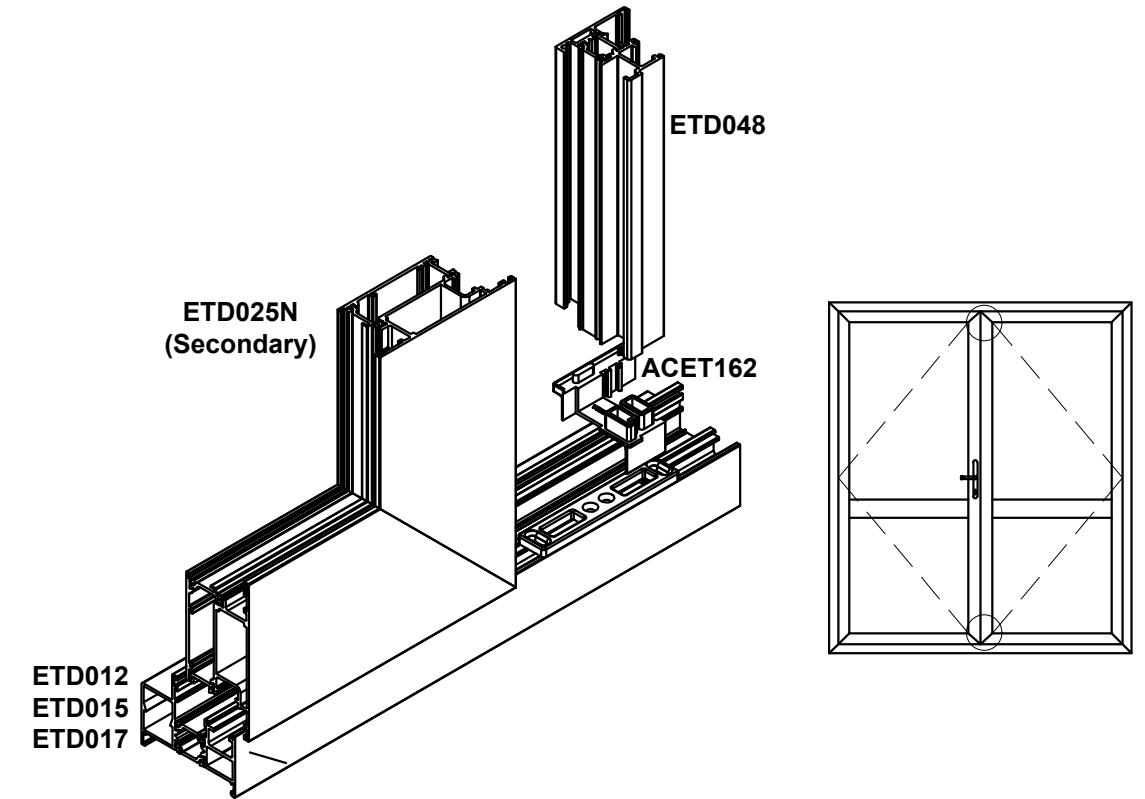
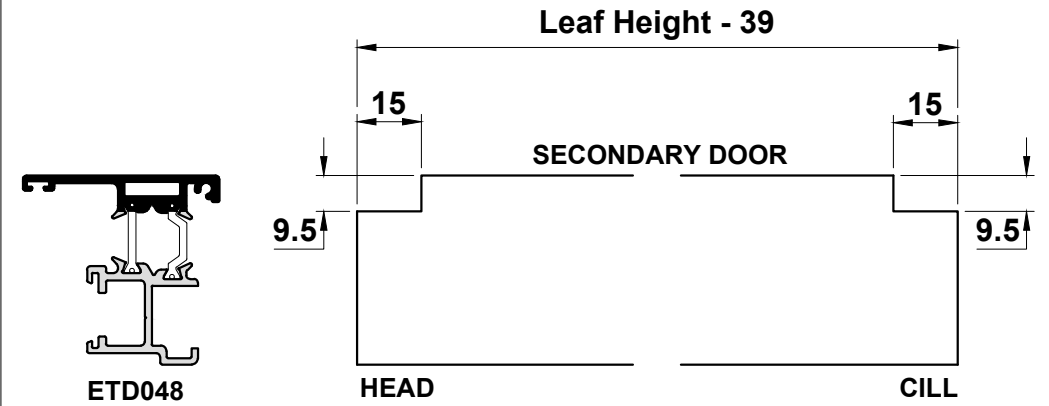
Low Threshold



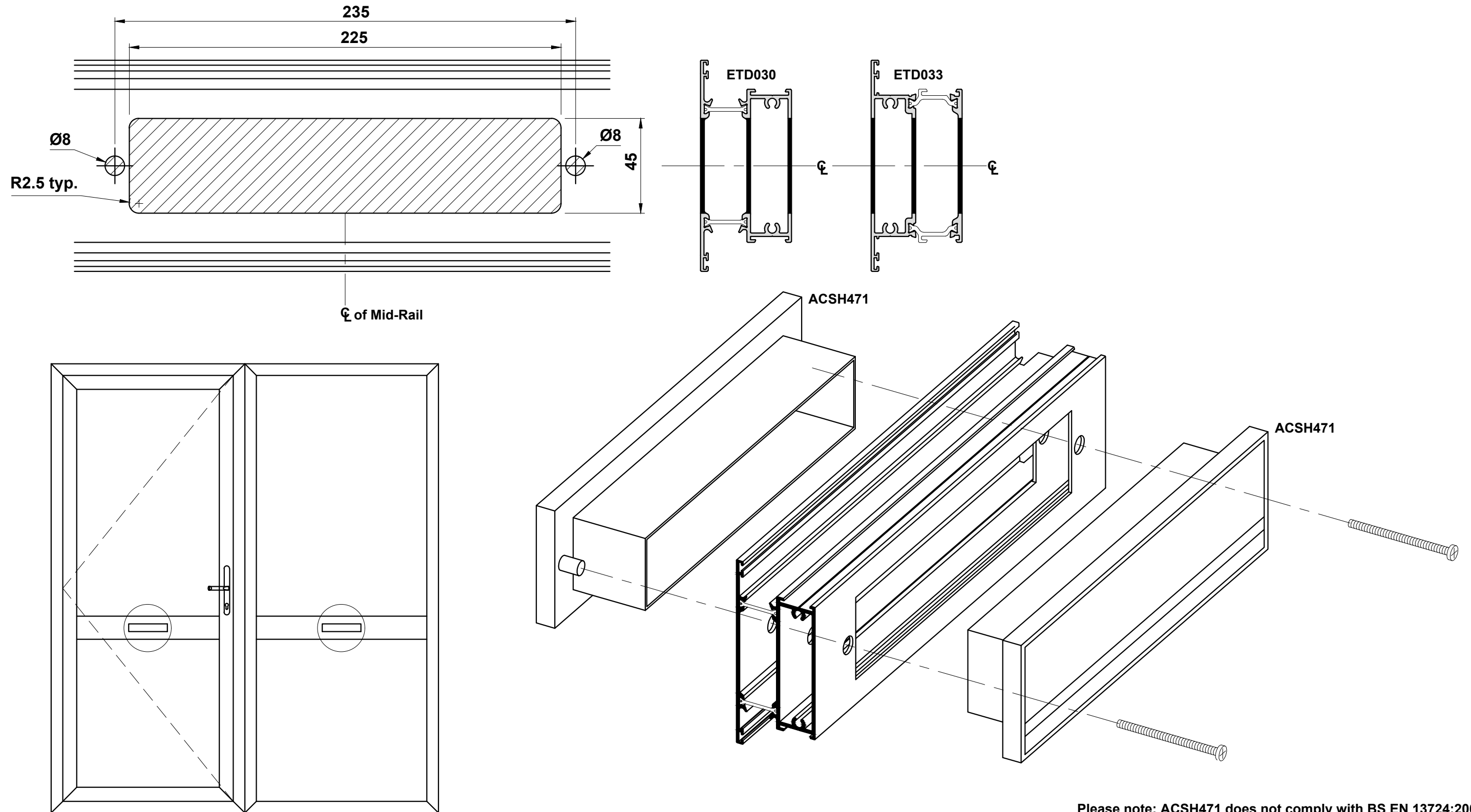
Important Note
For PAS24:2016 single doors
ACET284 End Cap kit is required
instead of ACET291.



Standard Threshold



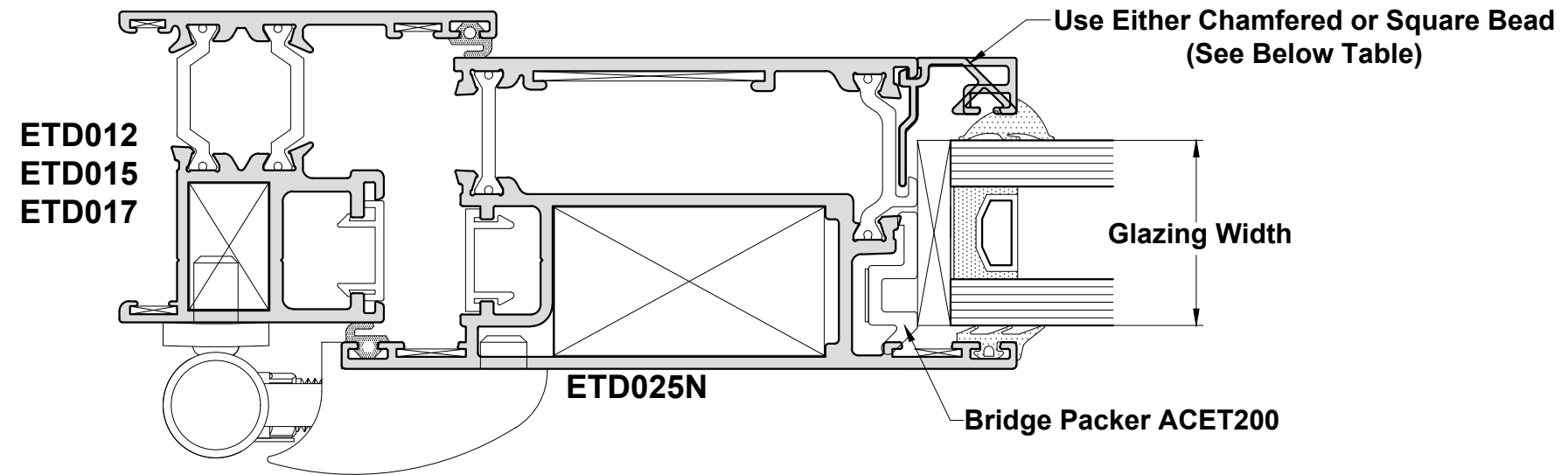
Letterplate Details








Please note: ACSH471 does not comply with BS EN 13724:2002

Do Not Scale From This Drawing

Glazing Chart



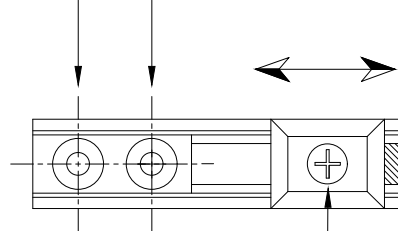
24mm		28mm		32mm	
Beads	Gaskets	Beads	Gaskets	Beads	Gaskets
ETC162 	ACVG31 ACVG34	ETC161 	ACVG31 ACVG34	ETC160 	ACVG31 ACVG34
ETC163 	ACVG31 ACVG34	ETC164 	ACVG31 ACVG34		

ACET149 Fitting Instructions

Ensure friction screw is loose before fitting stay to door. Adjust to required tension once the stay is fixed in position.



1" No.7 ACET060 Screw (2 off)

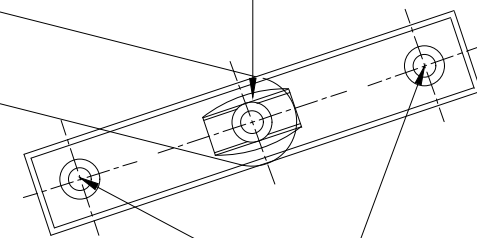


Friction Screw

ACET060 x 2

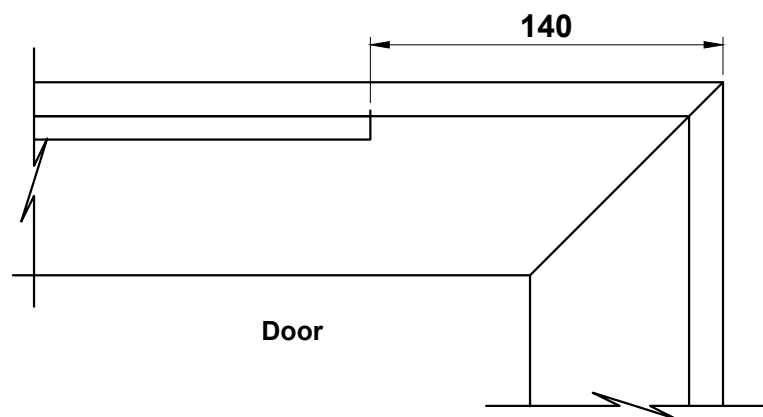
ACET149

Fixing Plate Snap-in-fix

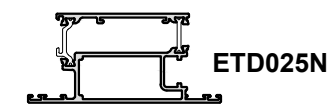


ACET060 x 2

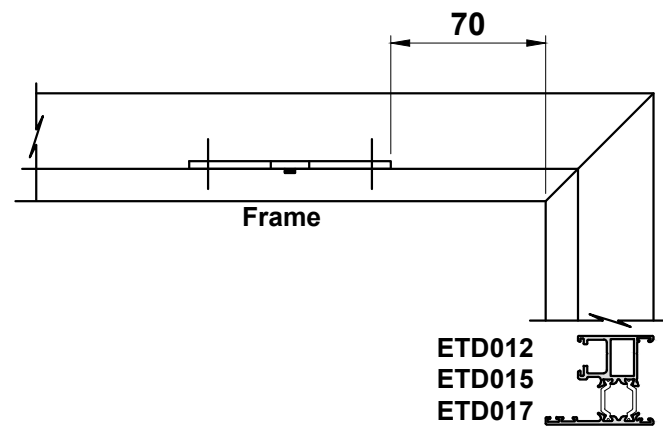
Identification Registration



Door



ETD025N

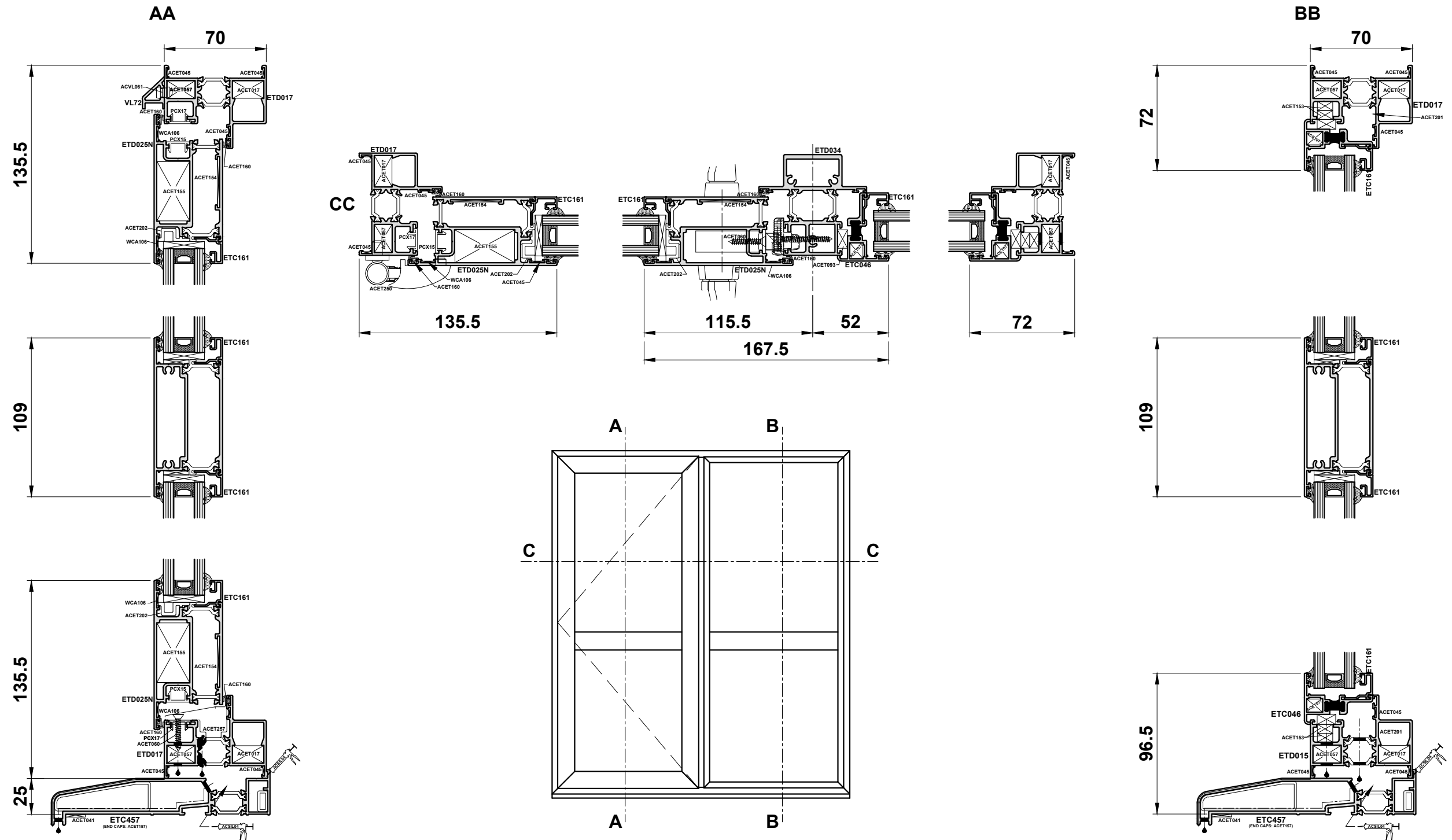


Frame

ETD012
ETD015
ETD017

Do Not Scale From This Drawing

Example Layout



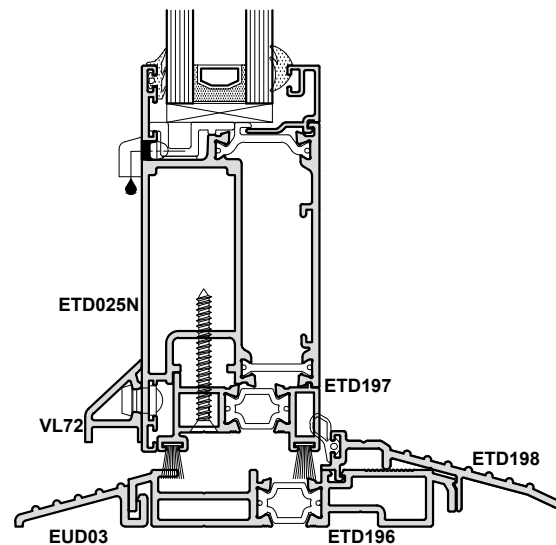
PAS24:2016 Details

Single Door

Accessories Required to Achieve PAS24:2016

A	Guide Blocks	ACET257
B	Hinges	ACET250
C	Lever/Lever Handle	ACET480
D	45/30 Cylinder	ACCY4530S1*
E	Keep Reinforcement	ACET217
F	Glass Packer Positions	
G	Hinge Protectors	ACET252
H	Lock with Shoot bolts	See Table 1

*Standard Handles may be used as an alternative to ACET480 providing the cylinder used has a TS007:2014 3 star accreditation (by others).



Note: To comply with PAS24:2016 & KM530838, ETD198 must be used with ETD196

Double Door

Accessories Required to Achieve PAS24:2016

A	Guide Blocks	ACET257
B	Hinges	ACET250
C	Lever/Lever Handle	ACET480
D	45/30 Cylinder	ACCY4530S1*
E	Keep Reinforcement	ACET217
F	Glass Packer Positions	
G	Hinge Protectors	ACET252
H	Top Shootbolt	ACDV738**
I	Bottom Shootbolt	ACDV737**

*Standard Handles may be used as an alternative to ACET480 providing the cylinder used has a TS007:2014 3 star accreditation (by others).

**ACDV737 & ACDV738 shoot bolts are supplied for the secondary door with ACET285 and need to be ordered separately from ACET292 & ACET293.

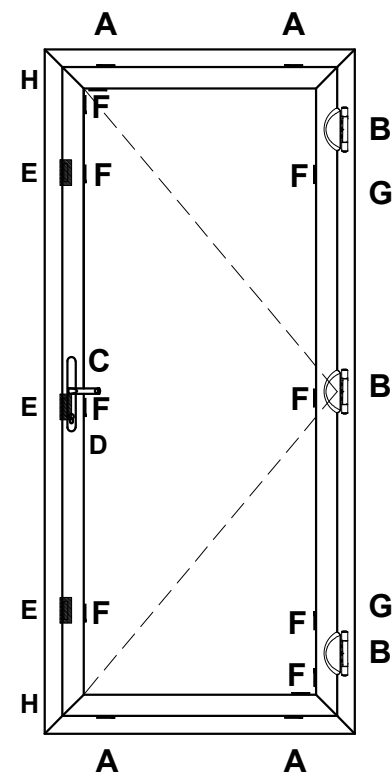
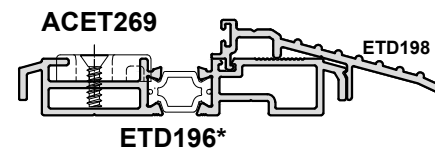
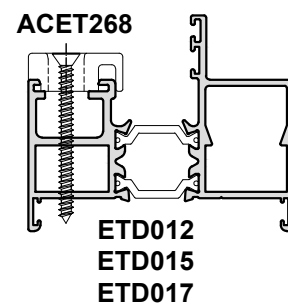
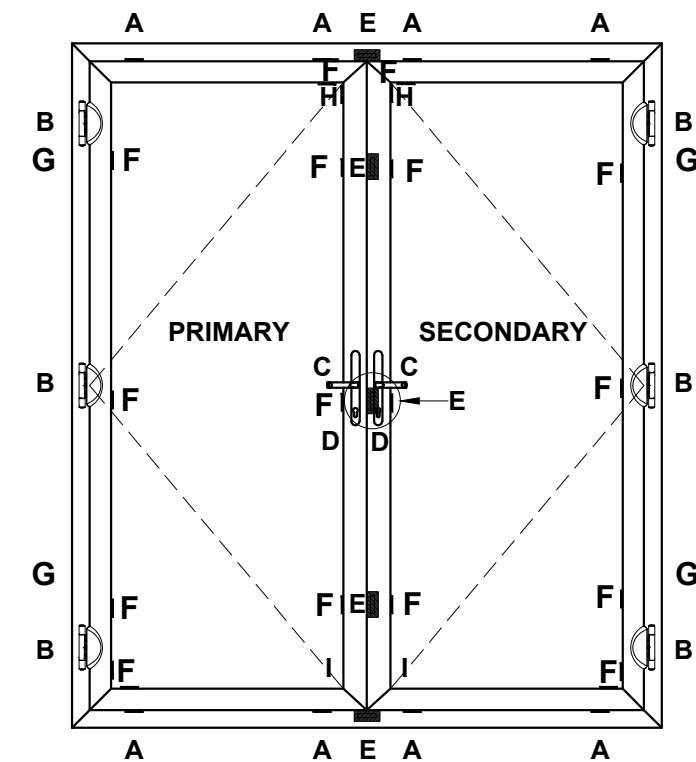


Table 1 - Single Door Locking Details

Height	Threshold Type	Lock	Bottom Shootbolt	Top Shootbolt	Bottom Keep	Top Keep
1885 - 2352	Standard Threshold	ACET292/3	ACDV737	ACDV738	ACET268	ACET268
1885 - 2338	ETD196 Low Threshold	ACET292/3	ACDV737	ACDV738	ACET269	ACET268
2352 - 2552	Standard Threshold	ACET292/3	ACDV737	ACDV742	ACET268	ACET268
2338 - 2538	ETD196 Low Threshold	ACET292/3	ACDV737	ACDV742	ACET269	ACET268

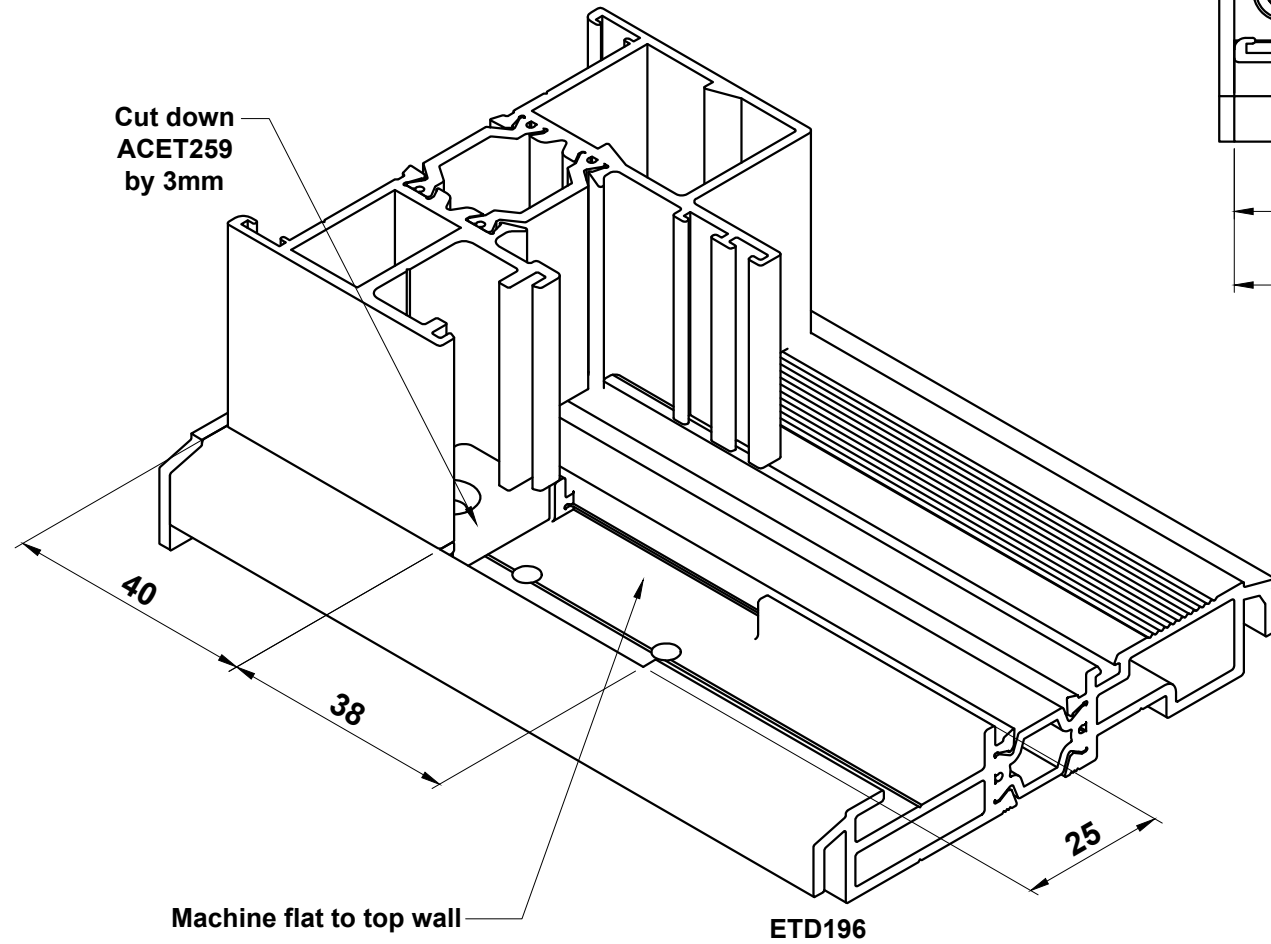
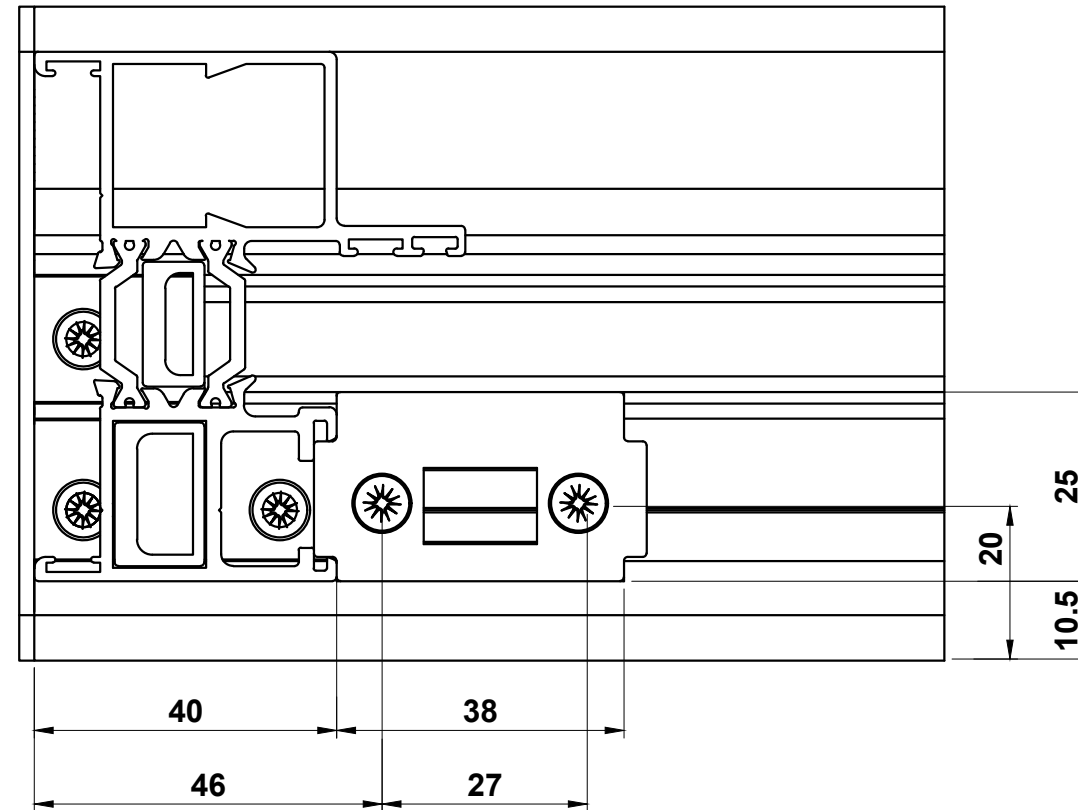
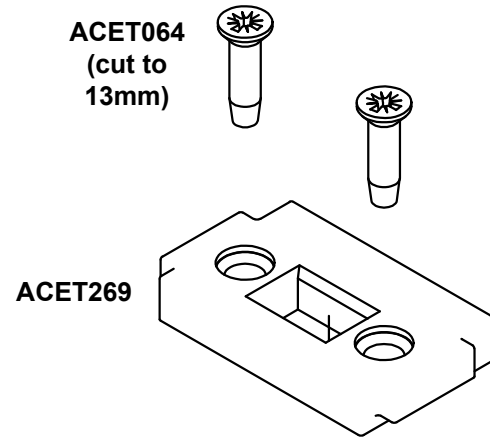


*ACET284 End Cap kit required for single doors.

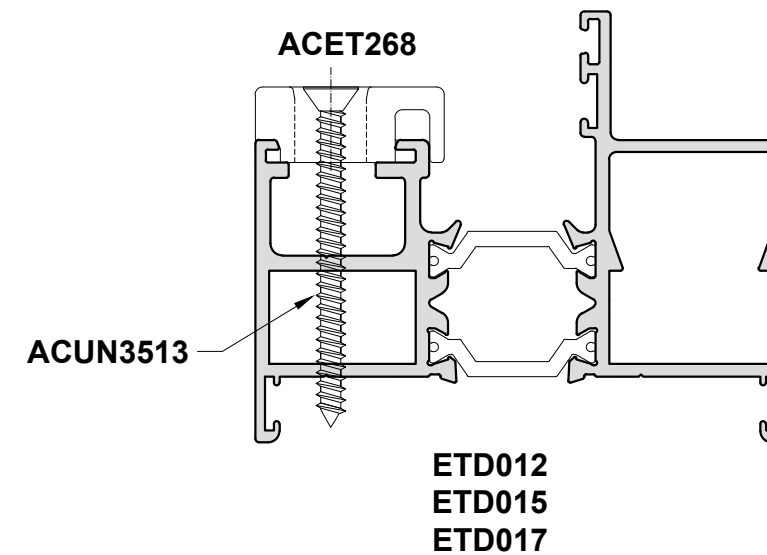


Do Not Scale From This Drawing

ACET268 & ACET269 Fitting Details

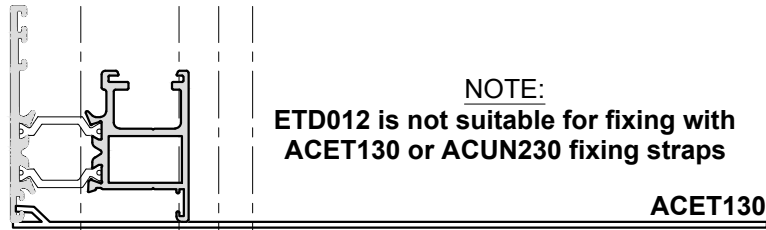


ACET268 is fitted in the same location as ACET269 but no machining is required.



Fixing Strap Guide

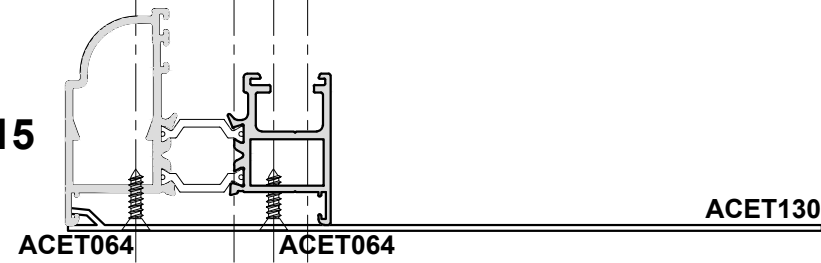
ETD012



NOTE:
ETD012 is not suitable for fixing with ACET130 or ACUN230 fixing straps

ACET130

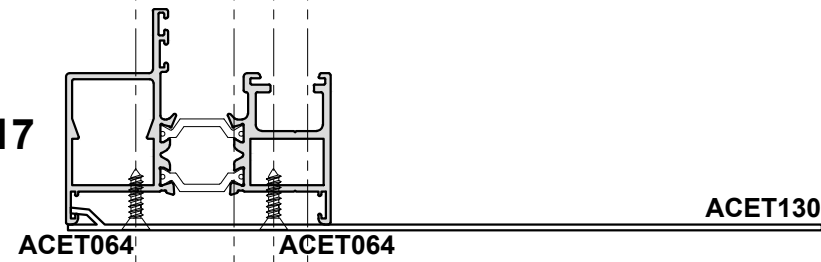
ETD015



ACET064 ACET064

ACET130

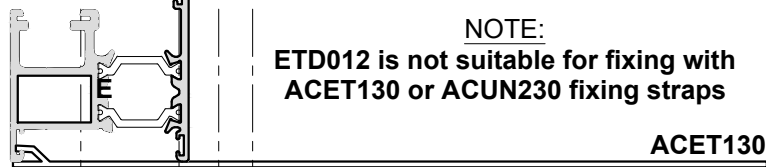
ETD017



ACET064 ACET064

ACET130

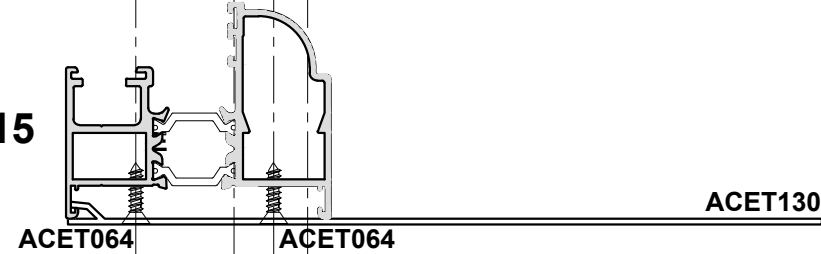
ETD012



NOTE:
ETD012 is not suitable for fixing with ACET130 or ACUN230 fixing straps

ACET130

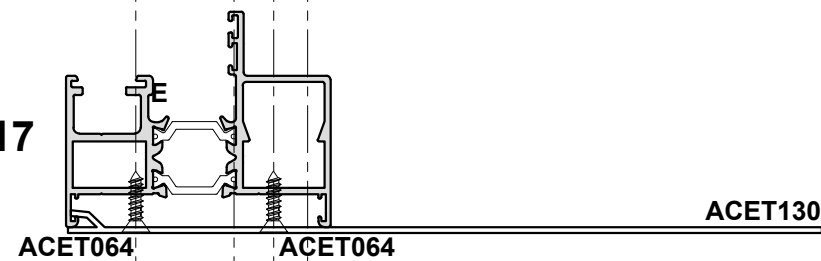
ETD015



ACET064 ACET064

ACET130

ETD017

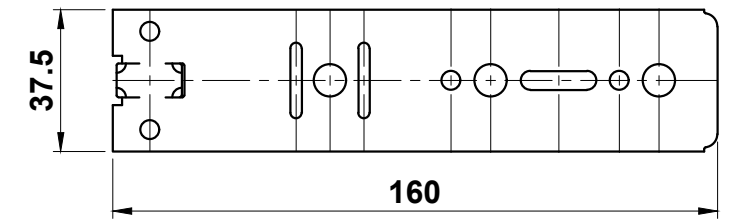
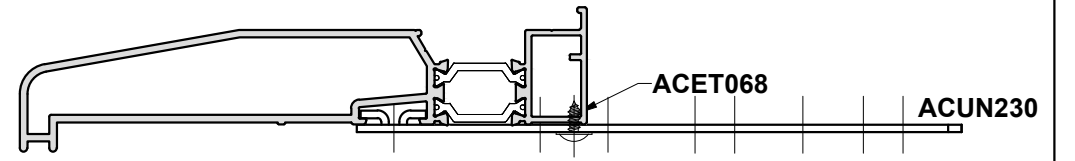


ACET064 ACET064

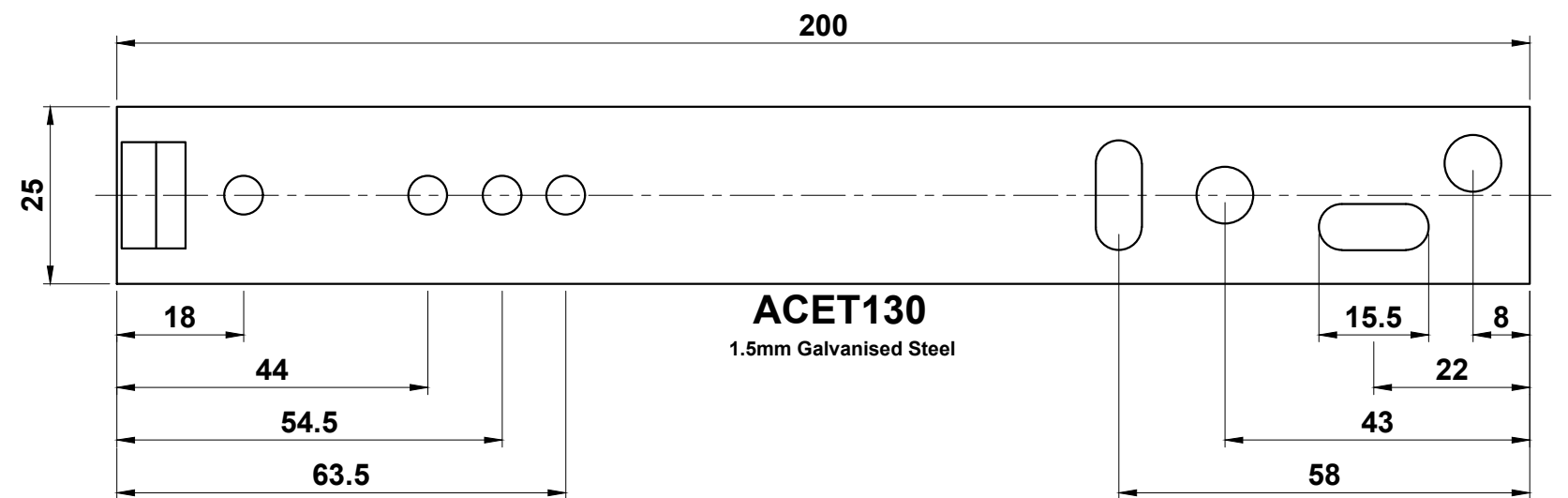
ACET130

NOTE:
Fixing straps should be spaced a minimum of 150mm in from each end & at a maximum of 300mm apart.

ETC452
ETC457
ETC458
ETC479



ACUN230
2mm Galvanised Steel



ACET130
1.5mm Galvanised Steel

Do Not Scale From This Drawing

Section F



Sawing Tables

Open In

Single Door with Low Threshold..... F03

Double Door with Low Threshold..... F04

Single Door with Standard Threshold..... F05

Double Door with Standard Threshold..... F06

Open Out

Single Door with Low Threshold..... F07

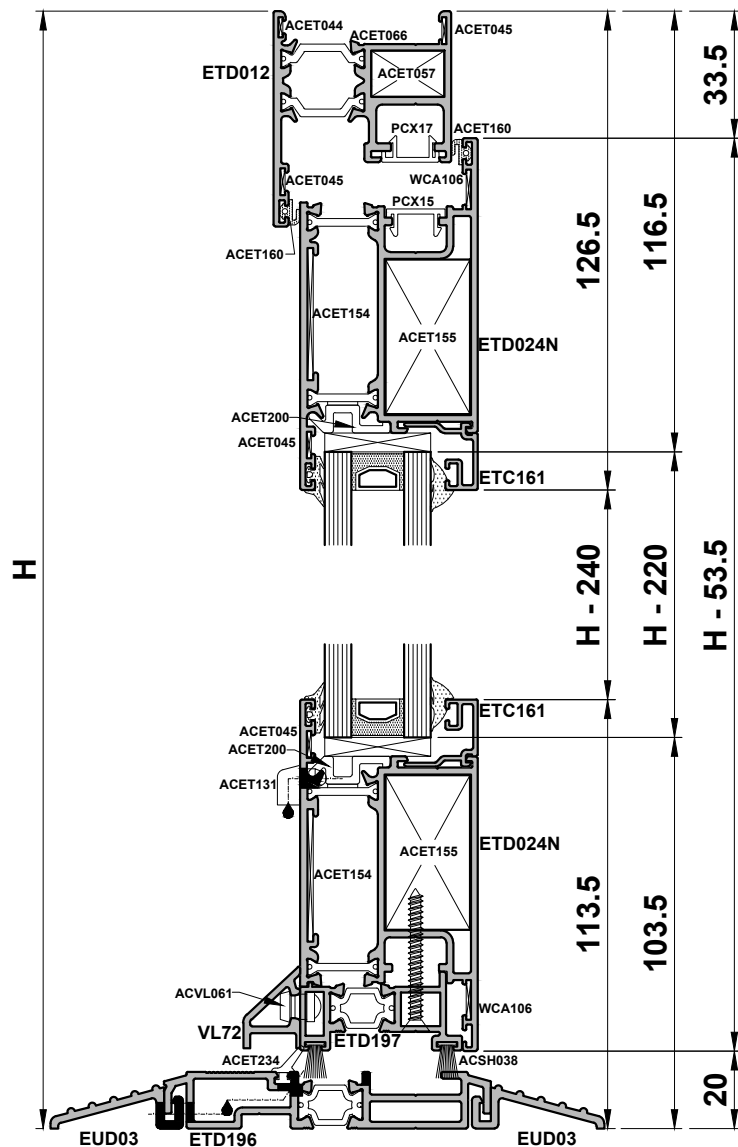
Double Door with Low Threshold..... F08

Single Door with Standard Threshold..... F09

Double Door with Standard Threshold..... F10

Section F

Single Door with Low Threshold (Open In)



PROFILE CUTTING SCHEDULE

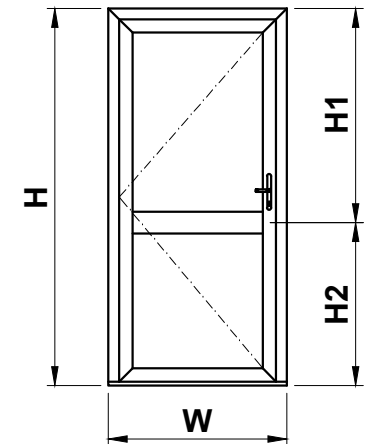
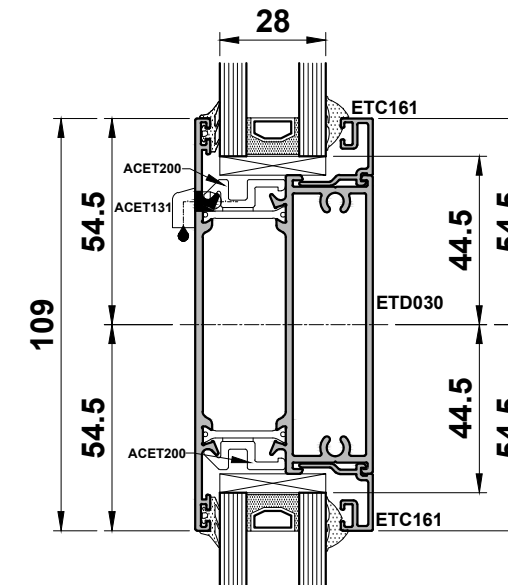
Profile Code	Quantity	Material	Color
ETD012	2	W	H-15
ETD012	1	W	W
ETD024N	2	W	H-53.5
ETD024N	2	W	W-67
ETD196	1	W	W
ETD197	1	W	W-101
ETD199	1	W	W
BEAD	2	W	H-240
BEAD	2	W	W-223
VL72	1	W	W-128
EUD03	2	W	W
PCX15	2	W	H-90
PCX15	1	W	W-105
PCX17	2	W	H-55
PCX17	1	W	W-80

GLASS SIZES

Configuration	Width (W)	Height (H)
WITHOUT MIDRAIL	W - 233	H - 220
ETD030	W - 233	H1 - 161
		H2 - 148

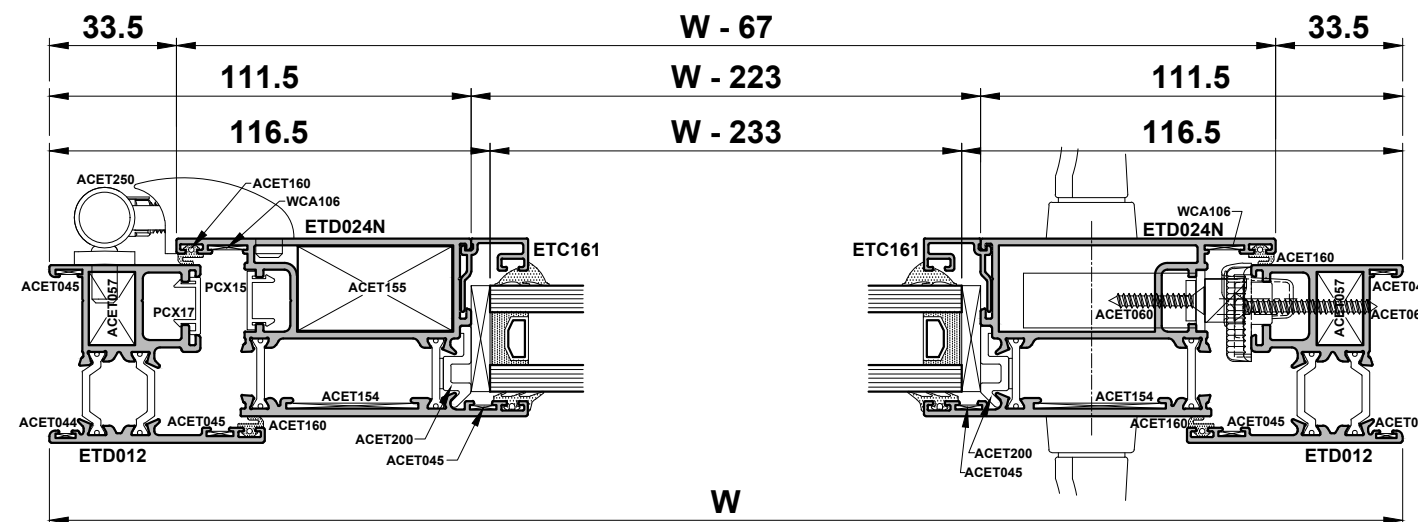
ACCESSORIES

Accessory Code	Quantity	Description
ACCY3045	1	30/45 Cylinder
ACDV251	1 Pair	Lever/Lever Handle
ACET044	2	Chevron
ACET045	8	Chevron
ACET057	2	Outer Frame Cleat
ACET060	11	Lock Screws
ACET066	14	Keep & ETD197 Screws
ACET131	2	Drainage Cap
ACET234	1xW	Threshold Gasket
ACET154	4	Sash Chevron
ACET155	4	Sash Cleat
ACET160	2xW + 4xH	Flipper Gasket
ACET200	4	Bridge Packer
ACET250	2 or 3	Hinge
ACET257	2	Guide Block
ACET259	1 Pair	Threshold Bracket
ACET282/3	1	Multi-Point Lock
ACET291	1 Pair	ETD197 Woolpile Carriers
ACET390	4	ACET259 Screws
ACSH038	2xW	Woolpile
ACVG31	2xW + 2xH	E Gasket
ACVG34	2xW + 2xH	Wedge Gasket
ACVL059	1 Pair	VL72 End Cap
ACVL061	5	VL72 Rivet
WCA106	4	Sash Chevron



ACCESSORIES FOR MID RAIL

Accessory Code	Quantity	Description
ACDR052	4	Screws
ACET131	2	Drainage Cap
ACET200	4	Bridge Packer
ACVG31	2xW	E Gasket
ACVG34	2xW	Wedge Gasket



Do Not Scale From This Drawing

Double Door with Low Threshold (Open In)

PROFILE CUTTING SCHEDULE

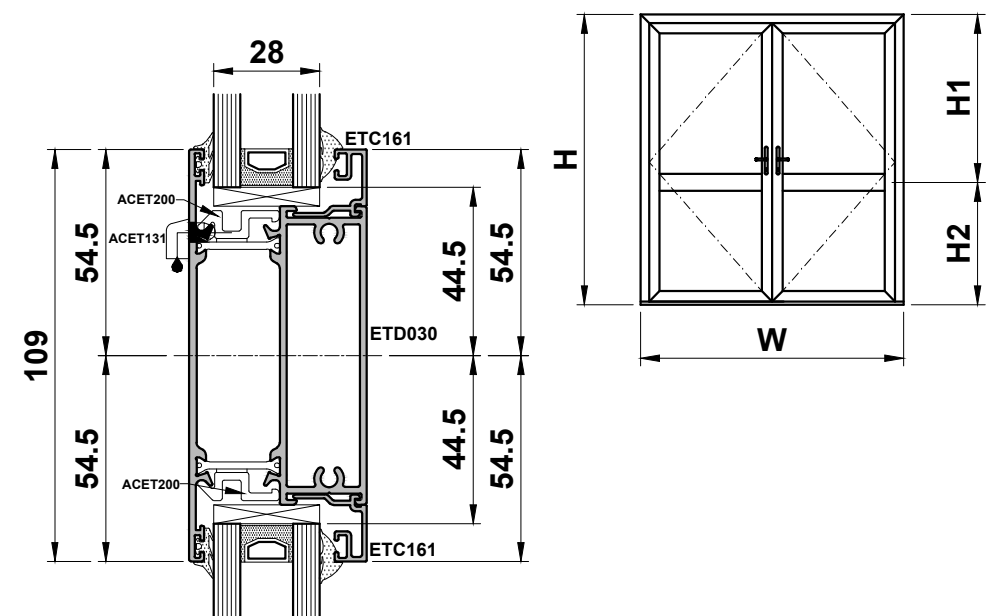
ETD012		2	H-15
ETD012		1	W
ETD024N		4	H-53.5
ETD024N		4	W/2-36
ETD048		1	H - 77.5
ETD196		1	W
ETD197		2	W/2-85
ETD199		2	W/2 - 51.5
BEAD		4	H-240
BEAD		4	W/2-192
VL72		2	W/2-83
EUD03		2	W
PCX15		3	H-90
PCX15		2	W/2-73.5
PCX17		3	H-55
PCX17		1	W-80

GLASS SIZES

WITHOUT MIDRAIL	W/2 - 202	H - 220
ETD030	W/2 - 202	H1 - 161
		H2 - 148

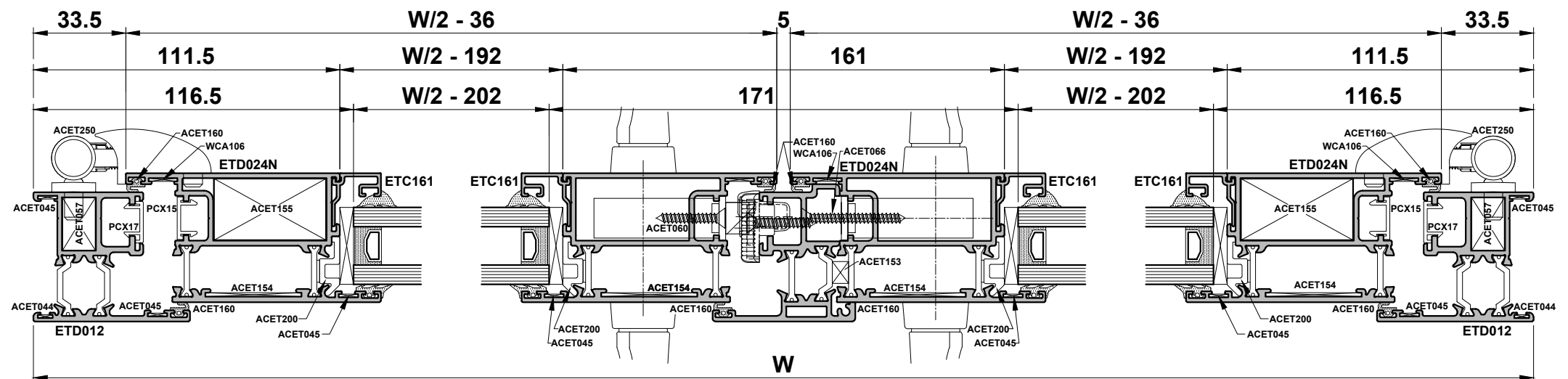
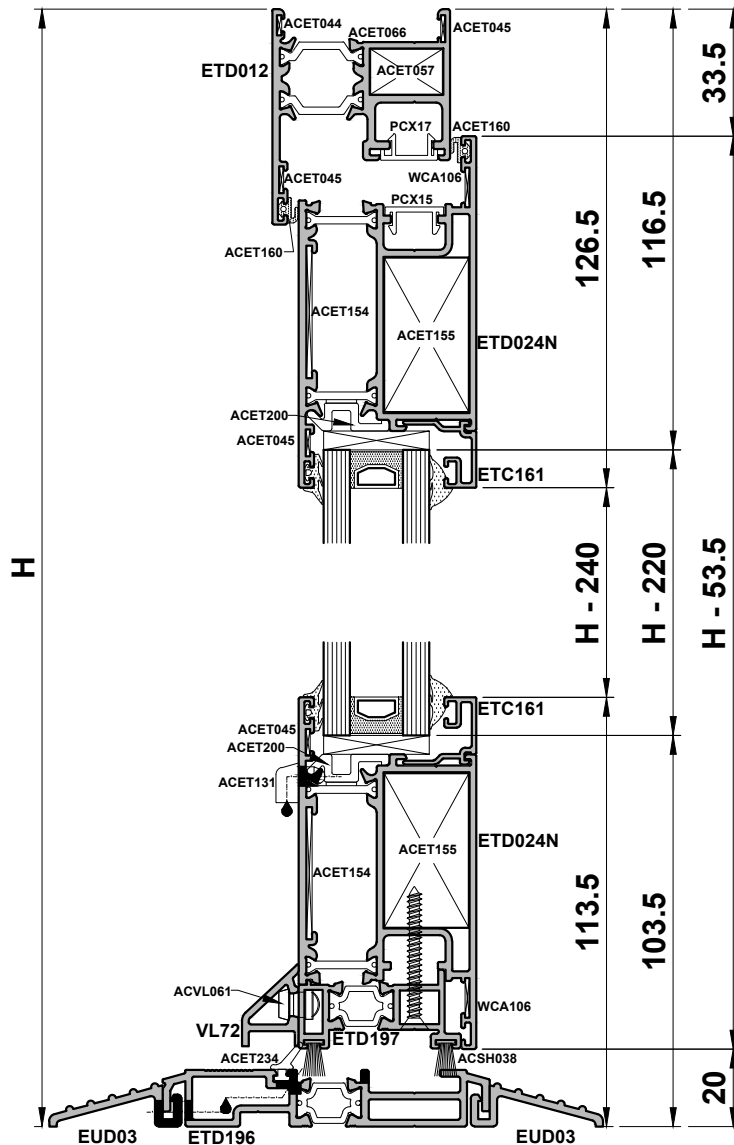
ACCESSORIES

ACY3045	2	Cylinder
ACDV251	2 Pairs	Lever/Lever Handle
ACDV737	1	Bottom Shoot Bolt
ACDV738	1	Top Shoot Bolt
ACET044	2	Chevron
ACET045	12	Chevron
ACET057	2	Outer Frame Cleat
ACET060	20	Lock & Keep Screws
ACET066	21	Lock & ETD197 Screws
ACET131	4	Drainage Cap
ACET153	at 300 ctrs	ETD048 Packer
ACET154	8	Sash Chevron
ACET155	8	Sash Cleat
ACET160	2xW + 7xH	Flipper Gasket
ACET162	1 Pair	ETD048 End Caps
ACET200	8	Bridge Packer
ACET234	1xW	Threshold Gasket
ACET250	4 or 6	Hinge
ACET257	4	Guide Blocks
ACET259	1 Pair	Threshold Bracket
ACET285	1	Secondary Door Lock Kit
ACET289	1 Pack	ETD048/ETD197 End Cap
ACET291	1 Pair	ETD197 End Cap
ACET292/3	1	Multi-Point Lock
ACET390	4	ACET259 Screws
ACSH038	2xW	Woolpile
ACVG31	2xW + 2xH	E Gasket
ACVG34	2xW + 2xH	Wedge Gasket
ACVL059	2 Pairs	VL72 End Cap
ACVL061	10	VL72 Rivet
WCA106	8	Sash Chevron



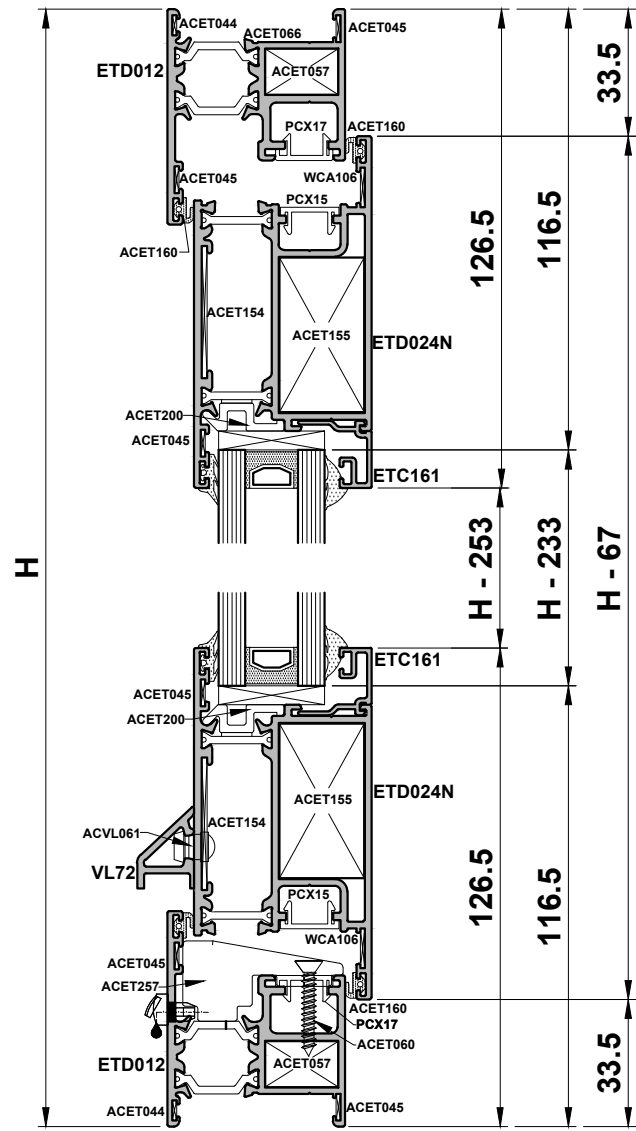
ACCESSORIES FOR MID RAIL

ACDR052	8	Screws
ACET131	4	Drainage Cap
ACET200	8	Bridge Packer
ACVG31	2xW	E Gasket
ACVG34	2xW	Wedge Gasket



Do Not Scale From This Drawing

Single Door with Standard Threshold (Open In)



PROFILE CUTTING SCHEDULE

ETD012		2		H
ETD012		2		W
ETD024N		2		H-67
ETD024N		2		W-67
BEAD		2		H-253
BEAD		2		W-223
VL72		1		W-128
PCX15		2		H-103
PCX15		2		W-105
PCX17		2		H-80
PCX17		2		W-80

GLASS SIZES

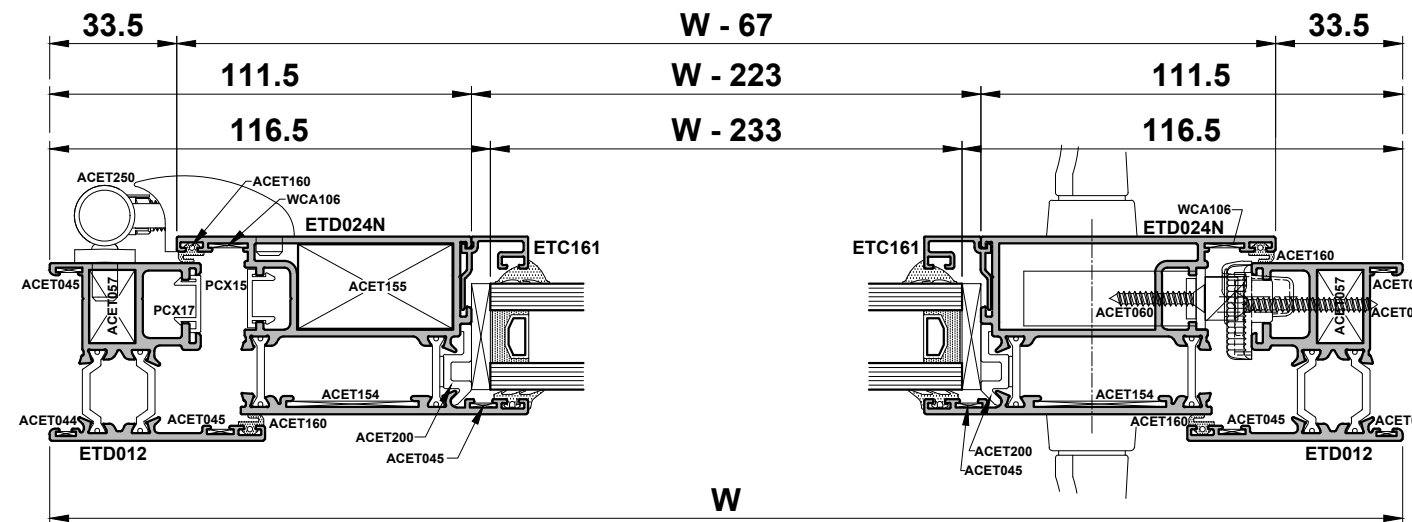
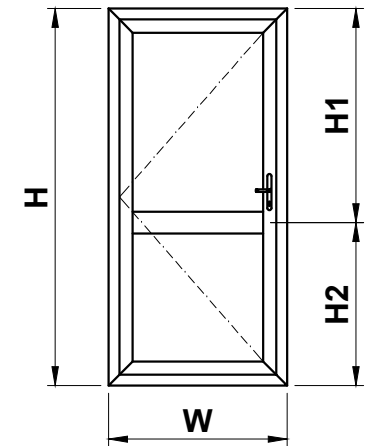
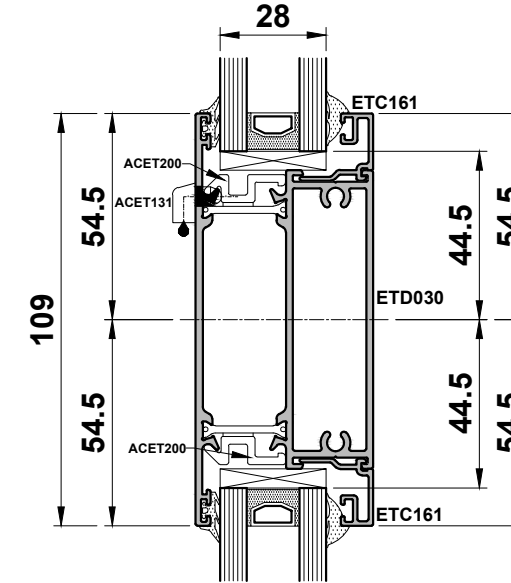
WITHOUT MIDRAIL	W - 233	H - 233
ETD030	W - 233	H1 - 161
		H2 - 161

ACCESSORIES

ACCY3045	1	Cylinder
ACDV251	1 Pair	Lever/Lever Handle
ACET044	4	Chevron
ACET045	12	Chevron
ACET057	4	Outer Frame Cleat
ACET060	12	Lock & ACET257 Screws
ACET066	9	Keep Screws
ACET131	2	Drainage Cap
ACET154	4	Sash Chevron
ACET155	4	Sash Cleat
ACET160	4xW + 4xH	Flipper Gasket
ACET200	4	Bridge Packer
ACET250	2 or 3	Hinge
ACET257	4	Guide Block
ACET282/3	1	Multi-Point Lock
ACVG31	2xW + 2xH	E Gasket
ACVG34	2xW + 2xH	Wedge Gasket
ACVL059	1 Pair	VL72 End Cap
ACVL061	5	VL72 Rivet
WCA106	4	Sash Chevron

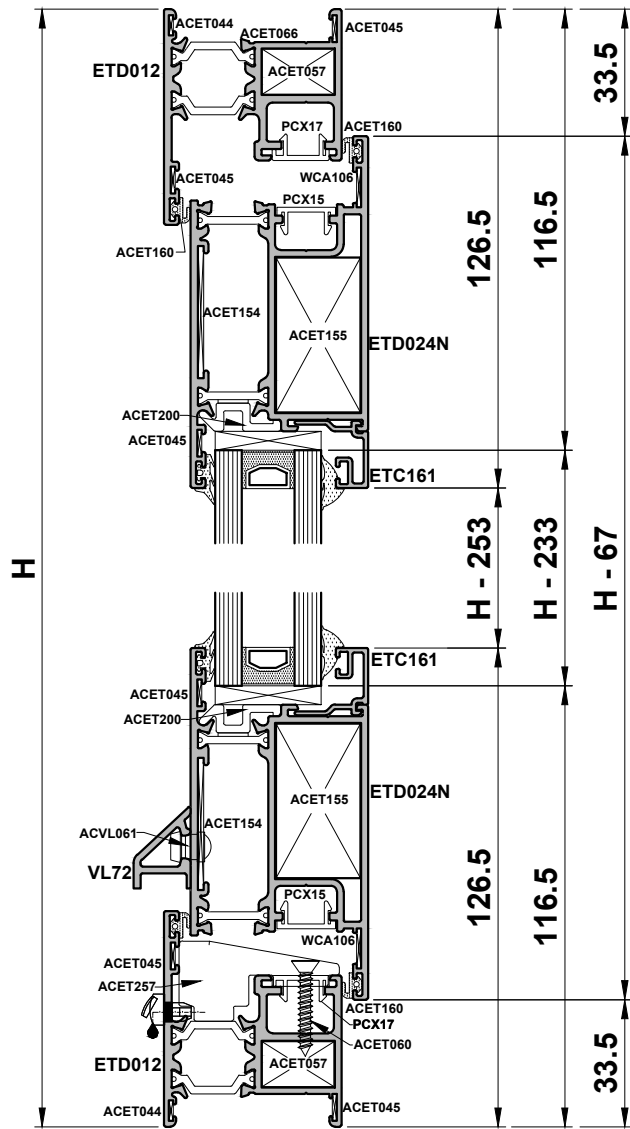
ACCESSORIES FOR MID RAIL

ACDR052	4	Screws
ACET131	2	Drainage Cap
ACET200	4	Bridge Packer
ACVG31	2xW	E Gasket
ACVG34	2xW	Wedge Gasket



Do Not Scale From This Drawing

Double Door with Standard Threshold (Open In)



PROFILE CUTTING SCHEDULE

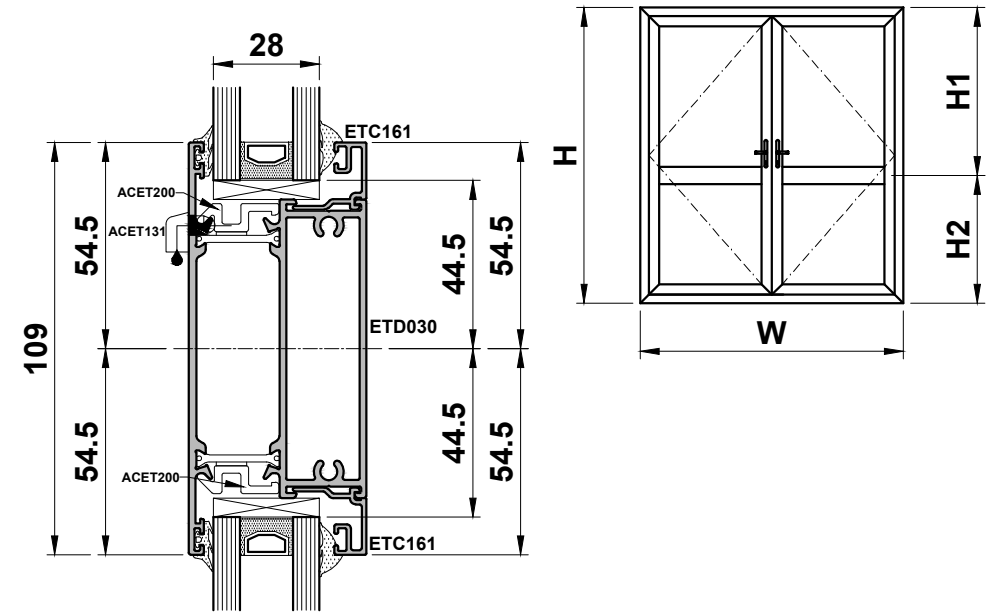
Profile Code	Quantity	Profile Name	Dimension
ETD012	2	ETD012	H
ETD012	2	ETD012	W
ETD024N	4	ETD024N	H-67
ETD024N	4	ETD024N	W/2-36
ETD048	1	ETD048	H - 106
BEAD	4	BEAD	H-253
BEAD	4	BEAD	W/2-192
VL72	2	VL72	W/2-83
PCX15	4	PCX15	H-103
PCX15	4	PCX15	W/2-73.5
PCX17	3	PCX17	H-80
PCX17	2	PCX17	W-80

GLASS SIZES

Configuration	W/2 - 202	H - 233
WITHOUT MIDRAIL		
ETD030	W/2 - 202	H1 - 161
		H2 - 161

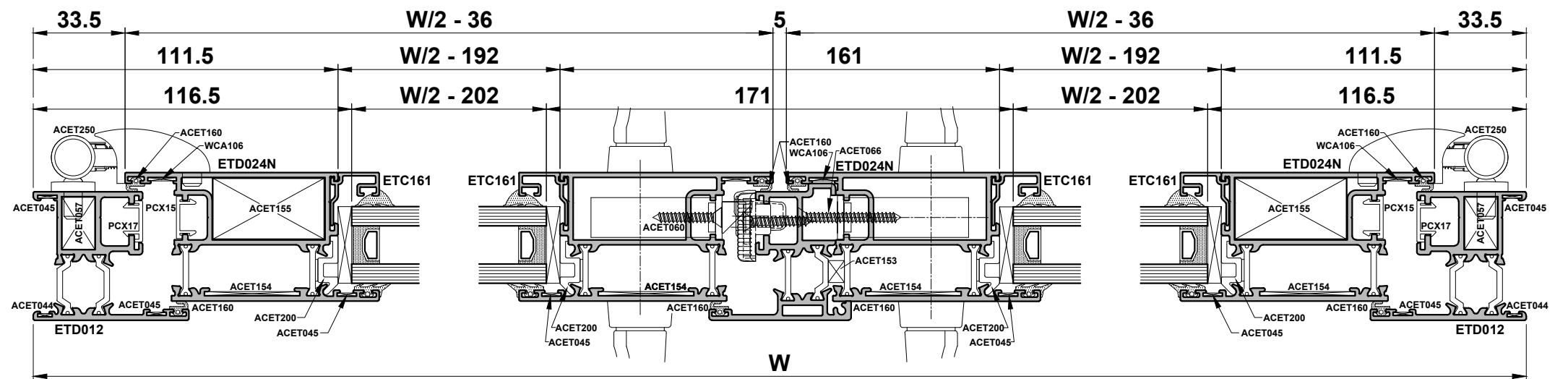
ACCESSORIES

Accessory Code	Quantity	Description
ACCY3045	2	Cylinder
ACDV251	2 Pairs	Lever/Lever Handle
ACDV737	1	Bottom Shoot Bolt
ACDV738	1	Top Shoot Bolt
ACET044	4	Chevron
ACET045	16	Chevron
ACET057	4	Outer Frame Cleat
ACET060	20	Lock & Keep Screws
ACET066	11	Secondary Lock Screws
ACET131	4	Drainage Cap
ACET153	at 300 ctrs	ETD048 Packer
ACET154	8	Sash Chevron
ACET155	8	Sash Cleat
ACET160	4xW + 7xH	Flipper Gasket
ACET162	1 Pair	ETD048 End Caps
ACET200	8	Bridge Packer
ACET250	4 or 6	Hinge
ACET257	8	Guide Block
ACET285	1	Secondary Door Lock Kit
ACET292/3	1	Multi-Point Lock
ACVG31	2xW + 2xH	E Gasket
ACVG34	2xW + 2xH	Wedge Gasket
ACVL059	2 Pairs	VL72 End Cap
ACVL061	10	VL72 Rivet
WCA106	8	Sash Chevron



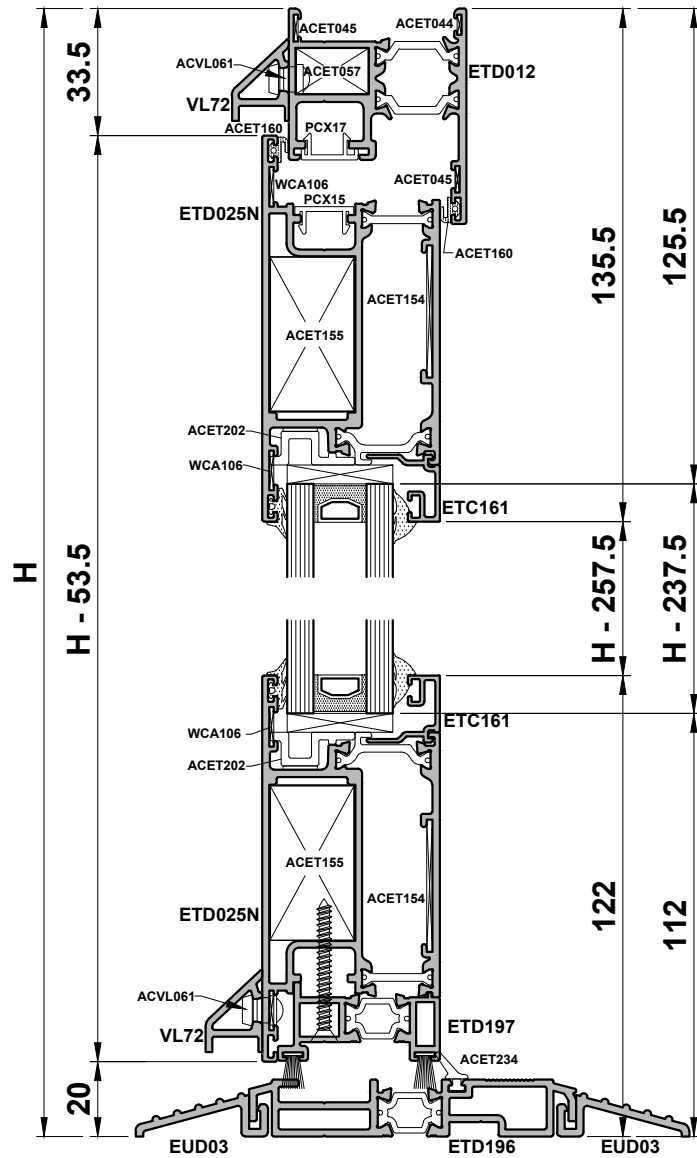
ACCESSORIES FOR MID RAIL

Accessory Code	Quantity	Description
ACDR052	8	Screws
ACET131	4	Drainage Cap
ACET200	8	Bridge Packer
ACVG31	2xW	E Gasket
ACVG34	2xW	Wedge Gasket



Do Not Scale From This Drawing

Single Door with Low Threshold (Open Out)



PROFILE CUTTING SCHEDULE

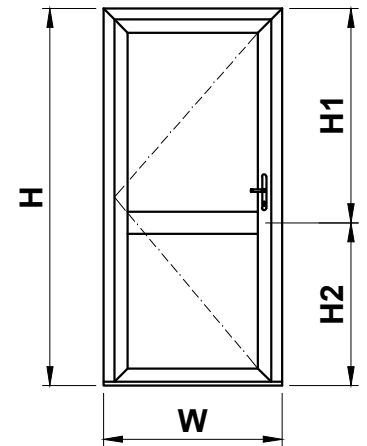
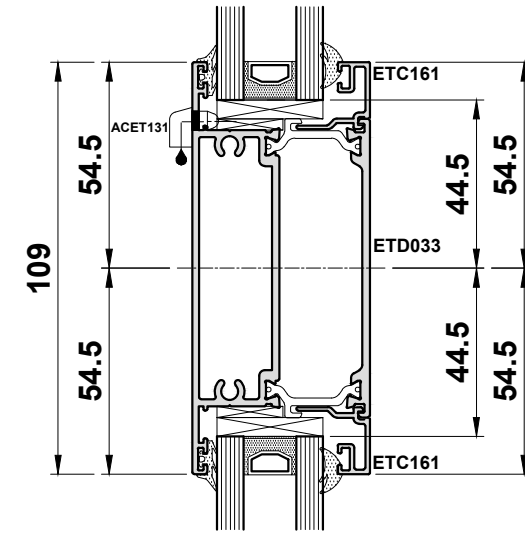
ETD012		2		H-15
ETD012		1		W
ETD025N		2		H-53.5
ETD025N		2		W-67
ETD196		1		W
ETD197		1		W-101
ETD199		1		W
BEAD		2		H-257.5
BEAD		2		W-241
VL72		1		W-10
VL72		1		W - 79
EUD03		2		W
PCX15		2		H-90
PCX15		1		W-105
PCX17		2		H-55
PCX17		1		W-80

GLASS SIZES

WITHOUT MIDRAIL	W - 251	H - 237.5
ETD033	W - 251	H1 - 170
		H2 - 156.5

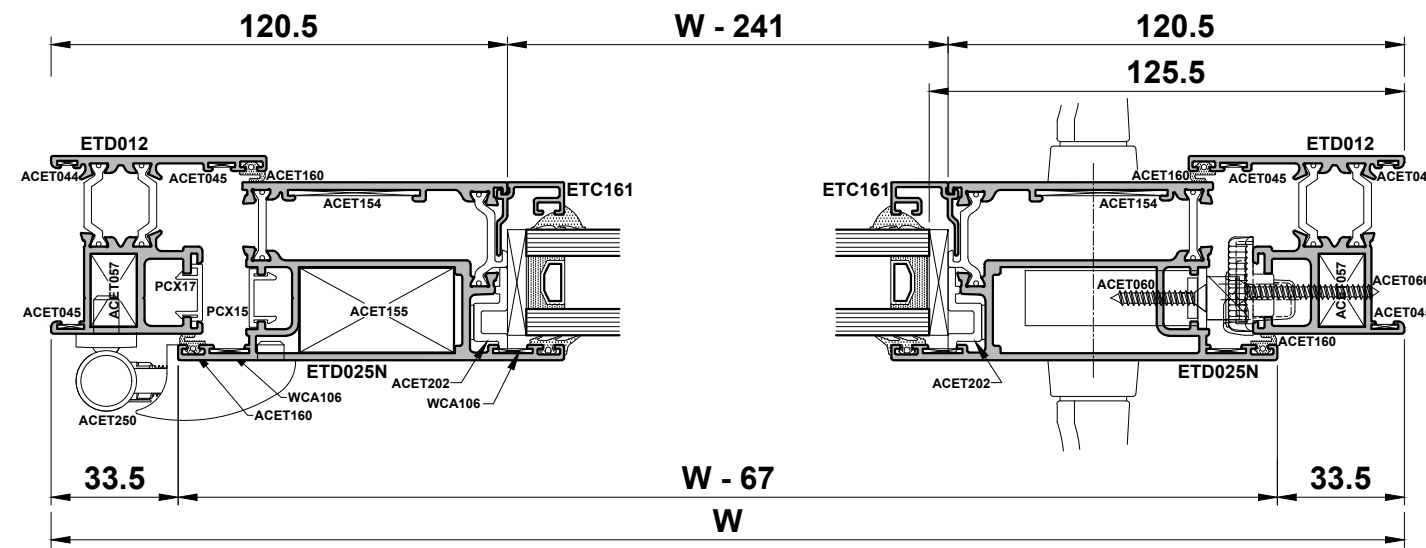
ACCESSORIES

ACCV3045	1	Cylinder
ACDV251	1 Pair	Lever/Lever Handle
ACET044	2	Chevron
ACET045	4	Chevron
ACET057	2	Outer Frame Cleat
ACET060	12	Lock & ACET257 Screws
ACET066	9	Keep Screws
ACET131	2	Drainage Cap
ACET234	1xW	Threshold Gasket
ACET154	4	Sash Chevron
ACET155	4	Sash Cleat
ACET160	2xW + 4xH	Flipper Gasket
ACET202	4	Bridge Packer
ACET250	2 or 3	Hinge
ACET257	2	Guide Block
ACET259	1 Pair	Threshold Bracket
ACET282/3	1	Multi-Point Lock
ACET291	1 Pair	ETD197 Woolpile Carriers
ACET390	4	ACET259 Screws
ACSH038	2xW	Woolpile
ACVG31	2xW + 2xH	E Gasket
ACVG34	2xW + 2xH	Wedge Gasket
ACVL059	2 Pairs	VL72 End Cap
ACVL061	10	VL72 Rivet
WCA106	8	Sash Chevron



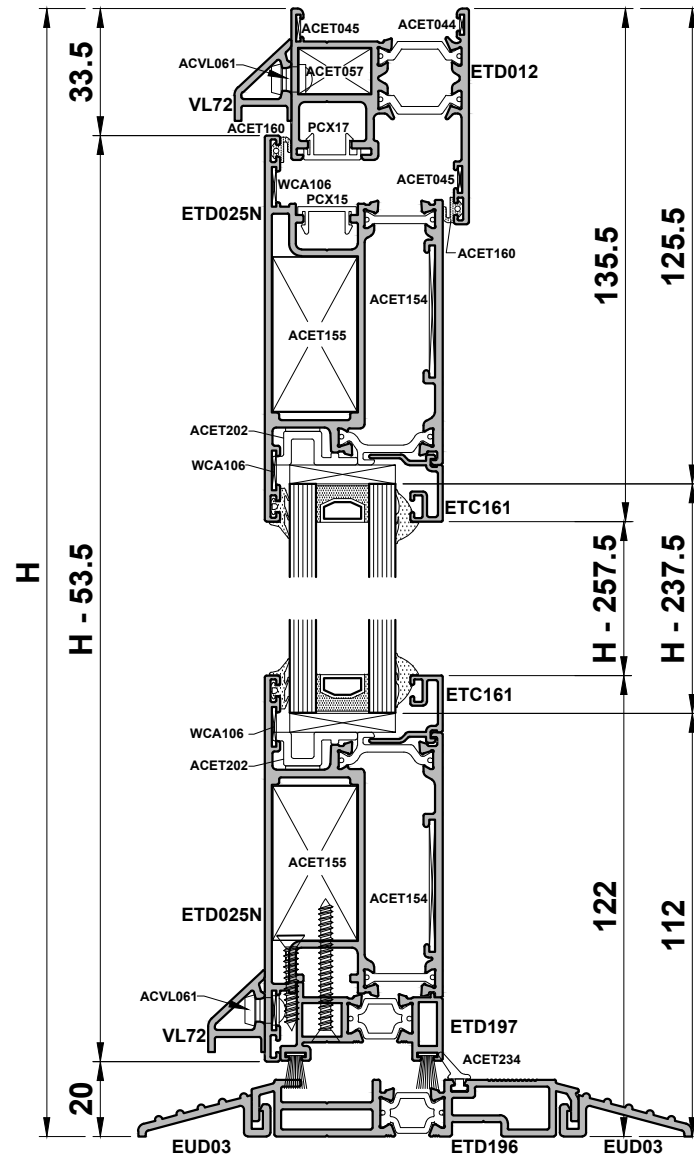
ACCESSORIES FOR MID RAIL

ACDR052	4	Screws
ACET131	2	Drainage Cap
ACVG31	2xW	E Gasket
ACVG34	2xW	Wedge Gasket



Do Not Scale From This Drawing

Double Door with Low Threshold (Open Out)



PROFILE CUTTING SCHEDULE

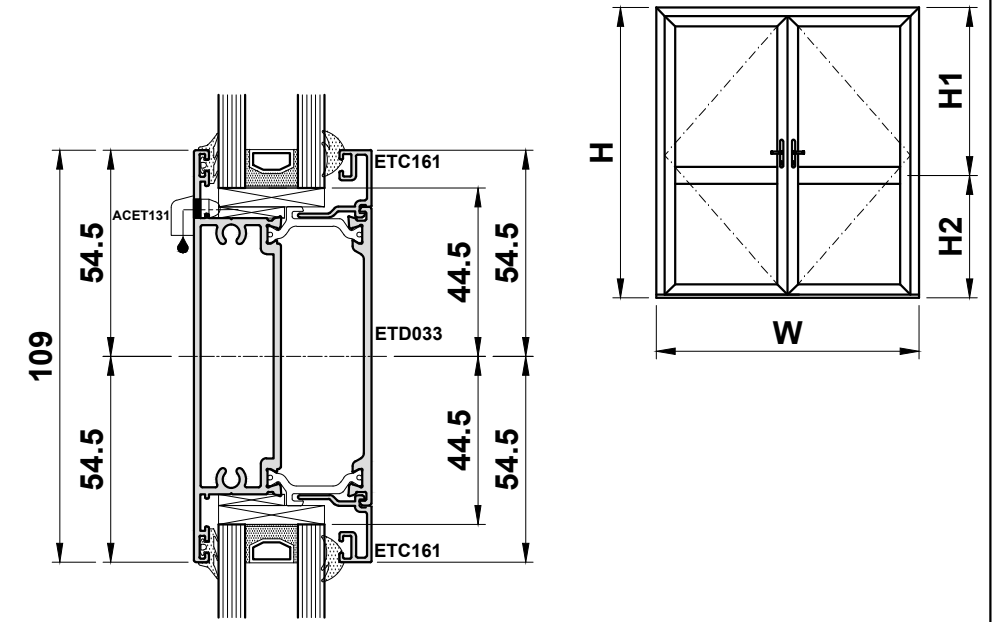
ETD012		2		H-15
ETD012		1		W
ETD025N		4		H-53.5
ETD025N		4		W/2-36
ETD048		1		H-77.5
ETD196		1		W
ETD197		2		W/2-85
ETD199		2		W/2 - 51.5
BEAD		4		H-257.5
BEAD		4		W/2-210
VL72		1		W-10
VL72		2		W/2-46
EUD03		2		W
PCX15		2		H-90
PCX15		1		W-105
PCX17		3		H-55
PCX17		1		W-80

GLASS SIZES

WITHOUT MIDRAIL	W/2 - 220	H - 237.5
ETD030	W/2 - 220	H1 - 170 H2 - 156.5

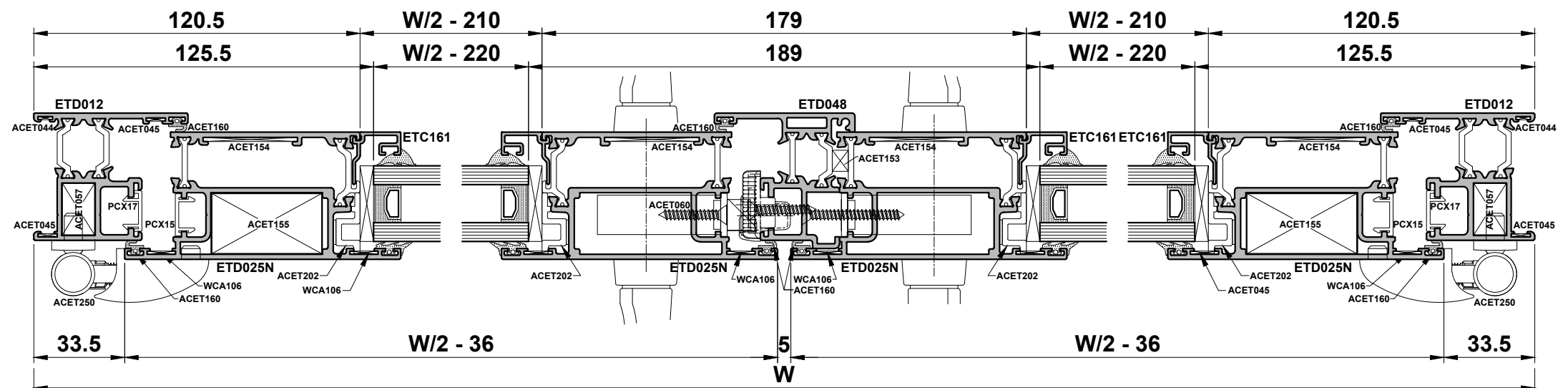
ACCESSORIES

ACCY3045	1	Cylinder
ACDV251	2 Pairs	Lever/Lever Handle
ACDV737	1	Bottom Shoot Bolt
ACDV738	1	Top Shoot Bolt
ACET044	2	Chevron
ACET045	4	Chevron
ACET057	2	Outer Frame Cleat
ACET060	20	Lock & Keep Screws
ACET066	21	Lock & ETD197 Screws
ACET131	4	Drainage Cap
ACET153	at 300 ctrs	ETD048 Packer
ACET154	8	Sash Chevron
ACET155	8	Sash Cleat
ACET160	2xW + 7xH	Flipper Gasket
ACET162	1 Pair	ETD048 End Cap
ACET202	8	Bridge Packer
ACET234	1xW	Threshold Gasket
ACET250	4 or 6	Hinge
ACET257	4	Guide Blocks
ACET259	1 Pair	Threshold Bracket
ACET285	1	Secondary Door Lock Kit
ACET289	1 Pack	ETD048/ETD197 End Cap
ACET292/3	1	Multi-Point Lock
ACET291	1 Pair	ETD197 End Cap
ACET390	4	ACET259 Screws
ACSH038	2xW	Woolpile
ACVG31	2xW + 2xH	E Gasket
ACVG34	2xW + 2xH	Wedge Gasket
ACVL059	3 Pairs	VL72 End Cap
ACVL061	20	VL72 Rivet
WCA106	16	Sash Chevron



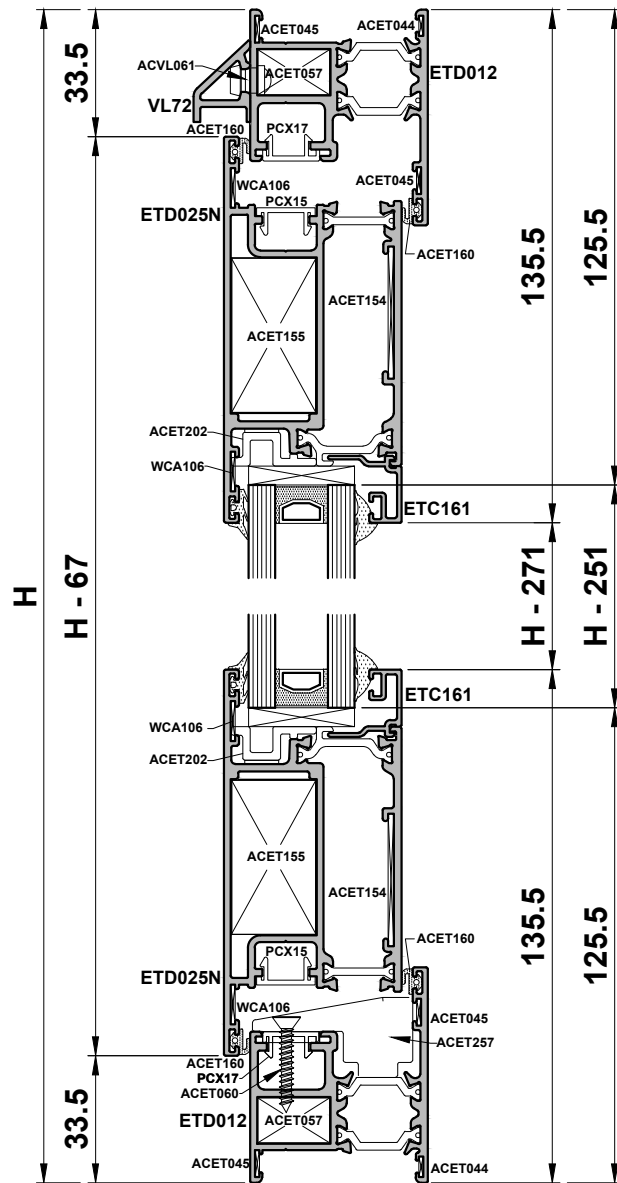
ACCESSORIES FOR MID RAIL

ACDR052	8	Screws
ACET131	4	Drainage Cap
ACVG31	2xW	E Gasket
ACVG34	2xW	Wedge Gasket



Do Not Scale From This Drawing

Single Door with Standard Threshold (Open Out)



PROFILE CUTTING SCHEDULE

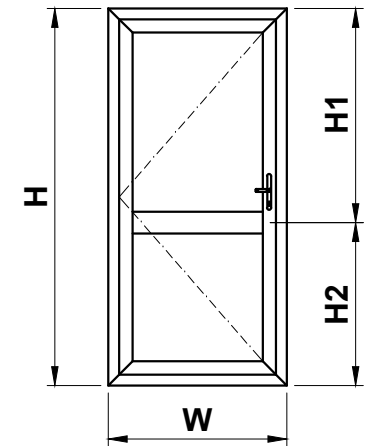
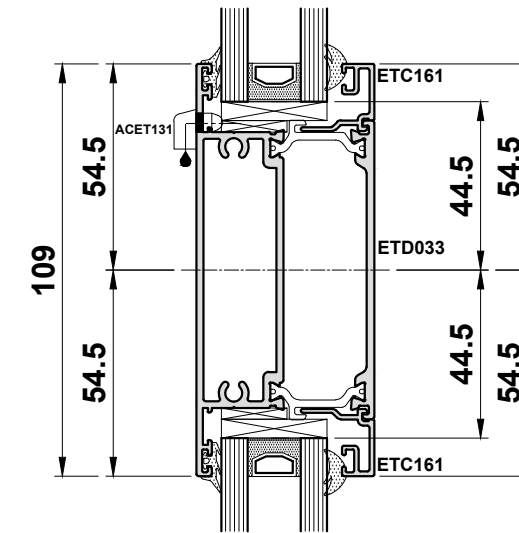
Profile	Quantity	Material	Length
ETD012	2	AL	H
ETD012	2	AL	W
ETD025N	2	AL	H-67
ETD025N	2	AL	W-67
BEAD	2	AL	H-271
BEAD	2	AL	W-241
VL72	1	AL	W-10
PCX15	2	AL	H-105
PCX15	2	AL	W-105
PCX17	2	AL	H-80
PCX17	2	AL	W-80

GLASS SIZES

Configuration	Width	Height
WITHOUT MIDRAIL	W - 251	H - 251
ETD030	W - 251	H1 - 170
		H2 - 170

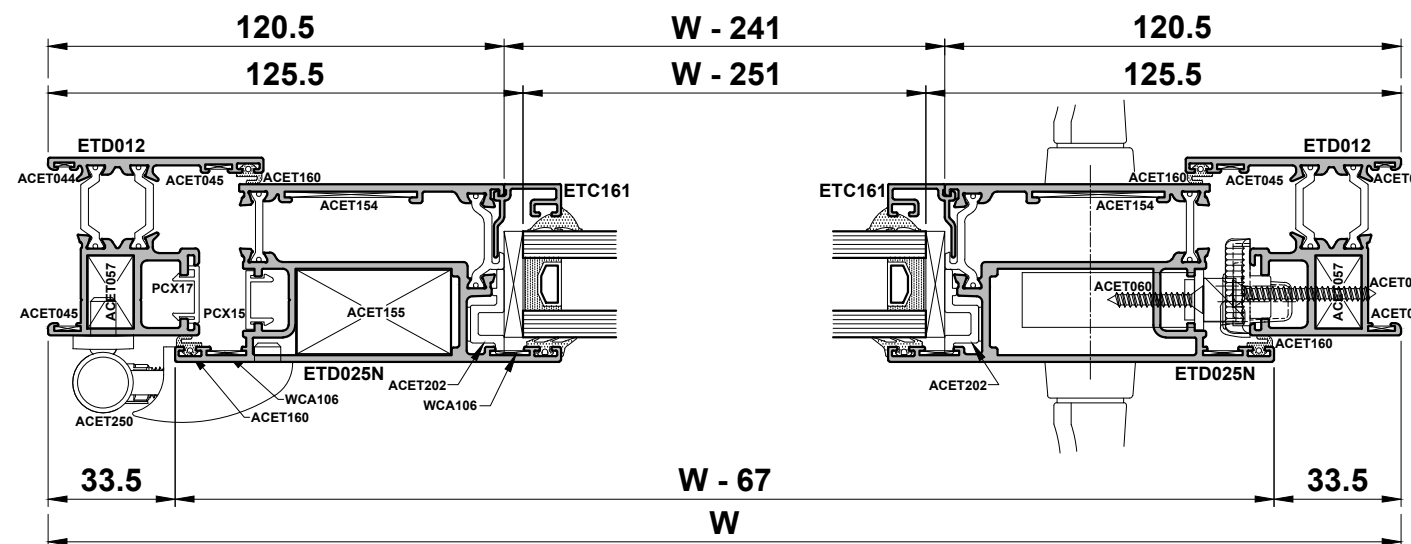
ACCESSORIES

Accessory	Quantity	Description
ACCY3045	1	Cylinder
ACDV251	1 Pair	Lever/Lever Handle
ACET044	4	Chevron
ACET045	8	Chevron
ACET057	4	Outer Frame Cleat
ACET060	14	Lock & ACET257 Screws
ACET066	9	Keep Screws
ACET131	2	Drainage Cap
ACET154	4	Sash Chevron
ACET155	4	Sash Cleat
ACET160	4xW + 4xH	Flipper Gasket
ACET202	4	Bridge Packer
ACET250	2 or 3	Hinge
ACET257	4	Guide Block
ACET282/3	1	Multi-Point Lock
ACVG31	2xW + 2xH	E Gasket
ACVG34	2xW + 2xH	Wedge Gasket
ACVL059	1 Pair	VL72 End Cap
ACVL061	5	VL72 Rivet
WCA106	8	Sash Chevron



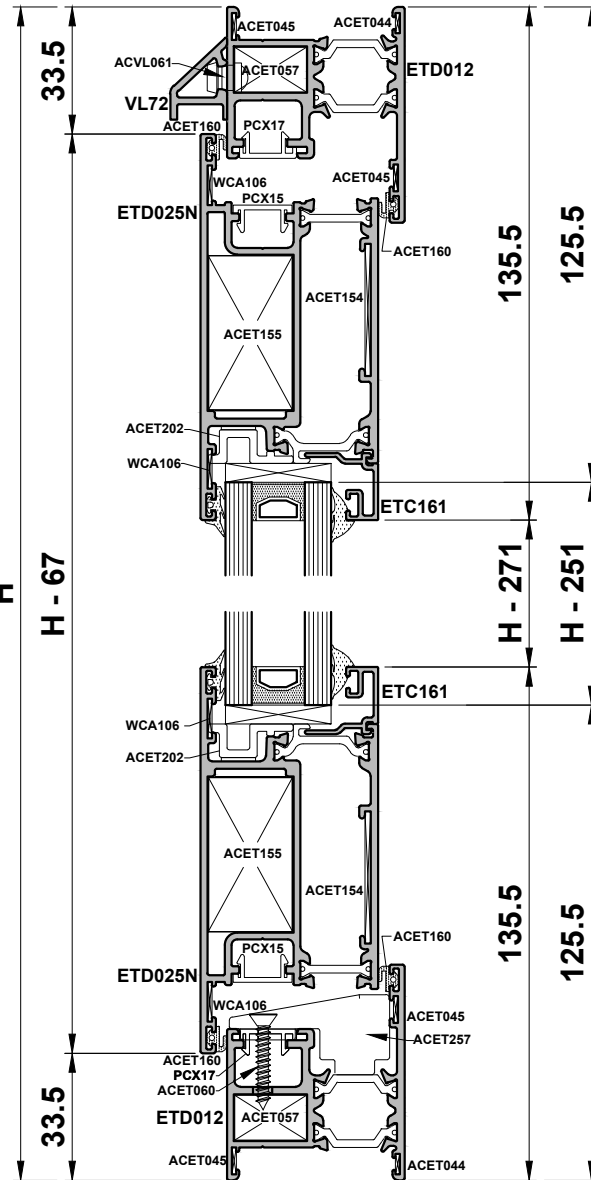
ACCESSORIES FOR MID RAIL

Accessory	Quantity	Description
ACDR052	4	Screws
ACET131	2	Drainage Cap
ACVG31	2xW	E Gasket
ACVG34	2xW	Wedge Gasket



Do Not Scale From This Drawing

Double Door with Standard Threshold (Open Out)



PROFILE CUTTING SCHEDULE

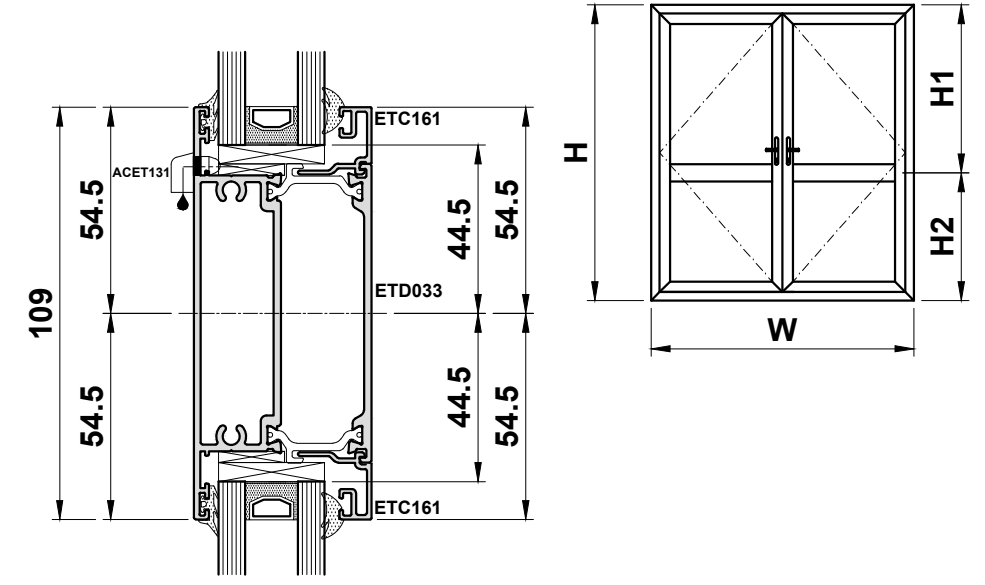
Profile	Quantity	Material	Notes
ETD012	2	AL	H
ETD012	2	AL	W
ETD025N	4	AL	H-67
ETD025N	4	AL	W/2-36
ETD048	1	AL	H - 106
BEAD	4	AL	H-271
BEAD	4	AL	W/2-210
VL72	1	AL	W-10
PCX15	4	AL	H-105
PCX15	4	AL	W/2-73.5
PCX17	3	AL	H-80
PCX17	2	AL	W-80

GLASS SIZES

Configuration	Width	Height
WITHOUT MIDRAIL	W/2 - 220	H - 251
ETD030	W/2 - 220	H1 - 170
		H2 - 170

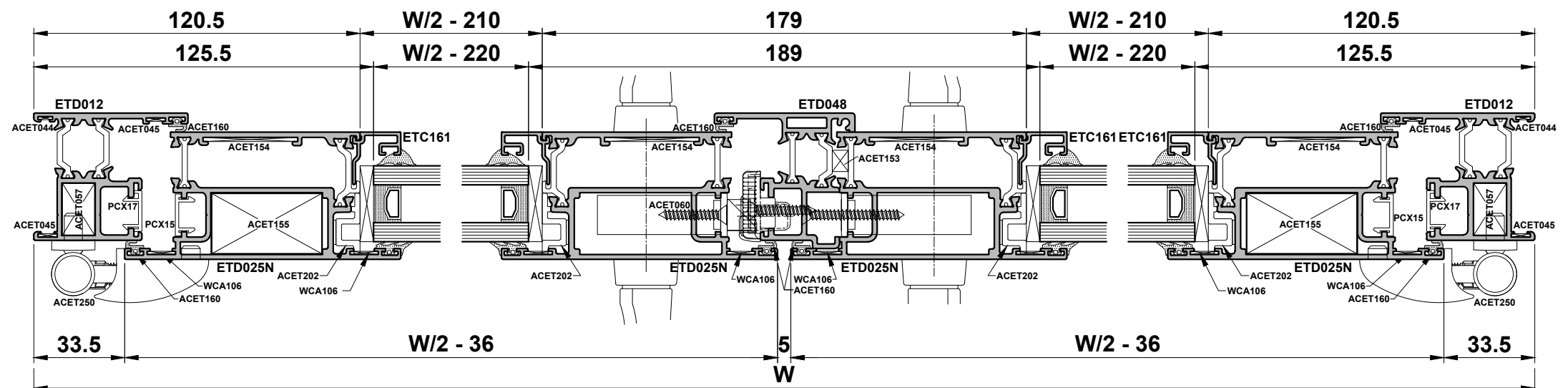
ACCESSORIES

Part No.	Quantity	Description
ACCY3045	2	Cylinder
ACDV251	2 Pairs	Lever/Lever Handle
ACDV737	1	Bottom Shoot Bolt
ACDV738	1	Top Shoot Bolt
ACET044	4	Chevron
ACET045	8	Chevron
ACET057	4	Outer Frame Cleat
ACET060	20	Lock & Keep Screws
ACET066	11	Secondary Lock Screws
ACET131	4	Drainage Cap
ACET153	at 300 ctrs	ETD048 Packer
ACET154	8	Sash Chevron
ACET155	8	Sash Cleat
ACET160	4xW + 7xH	Flipper Gasket
ACET162	1 Pair	ETD048 End Cap
ACET202	8	Bridge Packer
ACET250	4 or 6	Hinge
ACET257	8	Guide Blocks
ACET285	1	Secondary Door Lock Kit
ACET292/3	1	Multi-Point Lock
ACVG31	2xW + 2xH	E Gasket
ACVG34	2xW + 2xH	Wedge Gasket
ACVL061	10	VL72 Rivet
WCA106	16	Sash Chevron



ACCESSORIES FOR MID RAIL

Part No.	Quantity	Description
ACDR052	8	Screws
ACET131	4	Drainage Cap
ACVG31	2xW	E Gasket
ACVG34	2xW	Wedge Gasket



Do Not Scale From This Drawing