

visofold 2000

SLIDE FOLDING DOORS

Smart Architectural Aluminium

Visofold 2000
Technical Manual
August 2010

For further information visit www.smartsystems.co.uk

© Smart Systems Ltd 2010

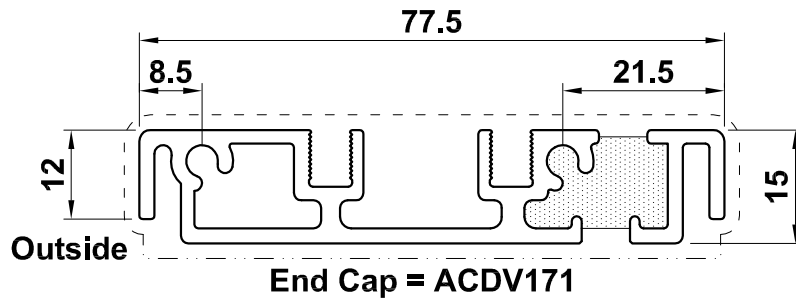
DV

Bulletin

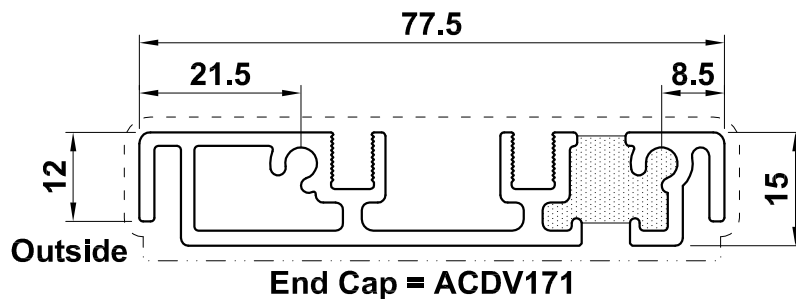
New low threshold DV271 to be used as an alternative to DV171 on open out doors.

Number	Perim. mm	Mec. mm	Ix(cm4) wx(cm3)	Iy(cm4) wy(cm3)	Length	Pack pr.	MF	SA	KL	HP	M
New DV271	356	170	23.41	1.07	6.5	1		✓			
			----- 5.81	----- 1.48							

**New
DV271
Open Out
Low Threshold**



**Existing
DV171
Open In
Low Threshold**



Please Note: DV171 & DV271 are non-rebated. Please use rebated threshold where enhanced weather performance is required.

Bulletin

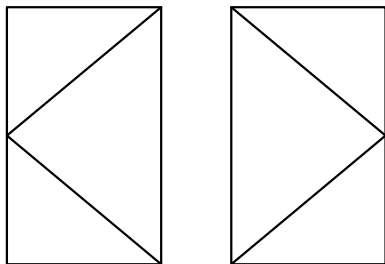
Due to a change in product from our supplier, the existing locks shown here are now handed.

Please specify the required handing when placing your order.

Part Code	Pack	Unit
ACDV715L/R Visofold Lock	1	set
ACVL415L/R Visoline Lock	1	set
ACVL642L/R Visoline Lock	1	set
ACVL707L/R Visoline Lock	1	set

OPEN IN

Viewed Externally



Inside



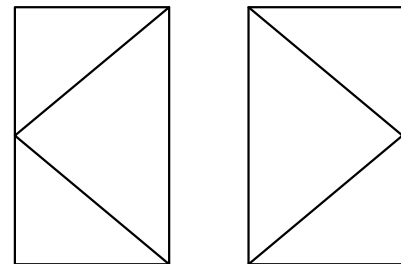
**Right Hand
Lock Set**

**Left Hand
Lock Set**

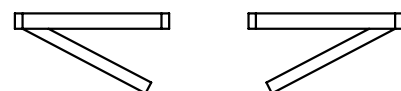
Outside

OPEN OUT

Viewed Externally



Inside



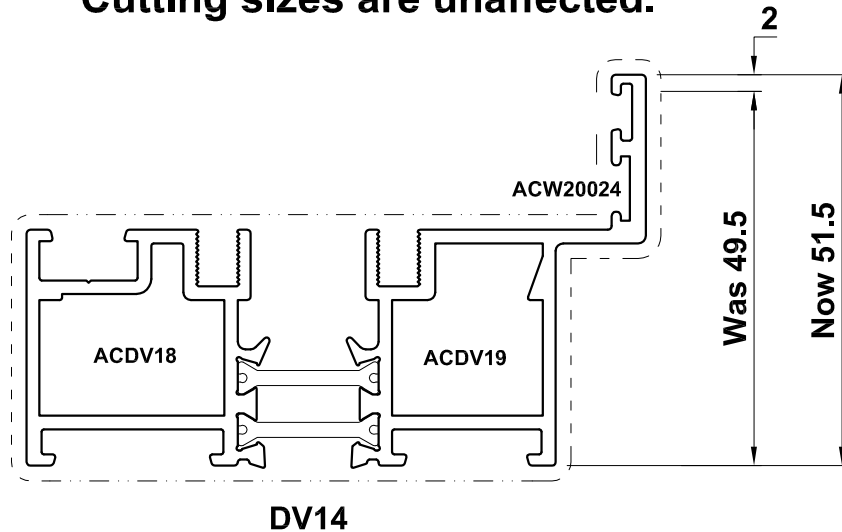
**Left Hand
Lock Set**

**Right Hand
Lock Set**


Outside

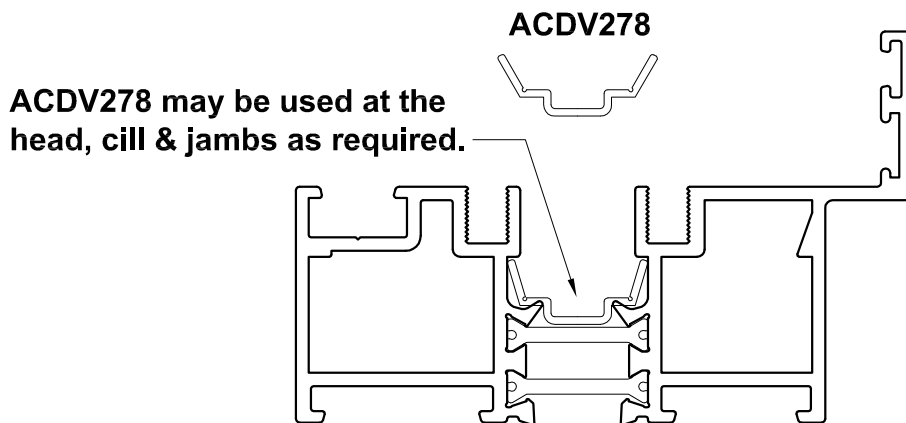
Bulletin

DV14 has been modified to provide greater cover against the sash. The 'N' suffix has been removed to identify this amendment. Cutting sizes are unaffected.




Now Available

	Image	Part Code	Pack	Unit
New		ACDV278 Optional DV14 Channel Infill Black Only	250	m



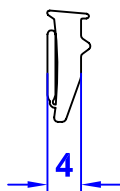
Bulletin

New

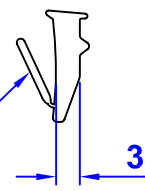
Image	Part Code	Pack	Unit	Application
	ACW20038 4-3mm Tear-away Low-line Wedge Gasket Black Only	200	m	Alitherm series, Evolution

ACW20038

New alternative wedge gasket to ACW20034 with tear-away strip to reduce from a 4mm wedge to 3mm wedge.




1mm tear-away

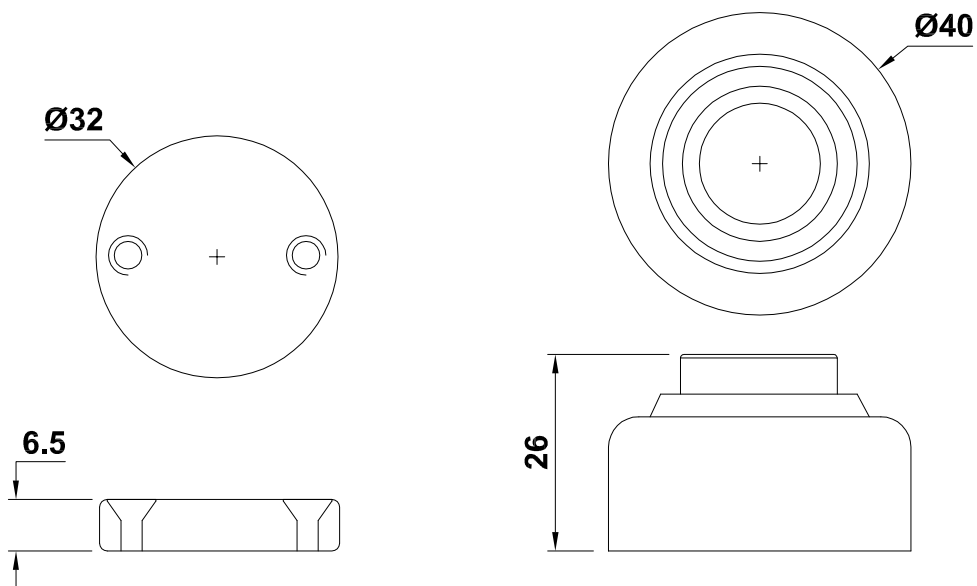


Bulletin

ACDV309 - Small Magnetic Catch

New

Image	Part Code	Pack	Unit	Application
	ACDV309 Magnetic Catch	1	each	Visofold 1000 2000 3000



For use on swinging door leaves where lever handles are not present.

The fitting method is the same as ACDV308.

Main Index

DV Index	Index	Page 01
Profiles		
A DV	Specification Pages	Page A02-A04
	Technical Information	Page A05-A07
	Scale Profile Drawings	Page A08-A14
Accessories		
B DV	Photos & Drawings	Page B02-B16
Sections		
C DV	Open Out - Scale Elevations	Page C02-C17
	Open In - Scale Elevations	Page C18-C34
Statics		
D DV	Open Out & In	Page D02-D06
Construction Drawings - Open Out		
E DV	1 - Corner Jointing	Page E04
	2 - Drainage	Page E08-E09
	3 - Transom/Mullion Fixings	Page E10
	4 - Locking Hardware - System Parameters	Page E11-E17
	5 - Hinges - System Parameters	Page E18
	6 - Bead & Glazing	Page E22
Construction Drawings - Open In		
E DV	1 - Corner Jointing	Page E26
	2 - Drainage	Page E30-E31
	3 - Transom/Mullion Fixings	Page E32
	4 - Locking Hardware - System Parameters	Page E33-E39
	5 - Hinges - System Parameters	Page E40
	6 - Bead & Glazing	Page E44
Sawing Tables - Open Out		
F DV	Cutting Information	Page F02-F26
Sawing Tables - Open In		
	Cutting Information	Page F27-F50

Specification

GENERAL DESCRIPTION

The Visofold 2000 described in this manual is suitable for domestic or commercial applications and provides various opening options to increased dimension and weight limitations.

PROFILE SPECIFICATION

The frames are constructed of aluminium alloy extrusion to BS EN 755, extruded from 6063 T6 alloy. The external aluminium alloy extrusion is pre-treated and finished either in :-

- a) Anodised to BS 3987: 1987, grade AA25 to a natural self colour.
- b) Polyester powder organic coating to BS 6496.

GENERAL MANUFACTURING

Frames are made by cutting the profiles with accurate 45° mitred ends or 90° square ends as required using Tunsten Carbide Tipped Saw Blades, operating at approximately 3000 rpm.

The joints of the screen are made using mechanically fixed corner cleats unless a low threshold is used which requires stainless steel self tapping screws to be fixed through the vertical members of the outerframe. Door joints are achieved with the use of cleats which fit to the jambs with dog pointed grub screws, the door rails are then fixed over the cleats using an off-set countersunk machine screw to ensure a strong and tight fit suitable for heavy use. Deep bottom rail door joints require stainless steel self tapping screws to be fixed through the vertical members. All joints should be sealed using an adequate sealant.

Care should be exercised when using products not supplied by Smart Systems Ltd as no responsibility can be accepted.

RECOMMENDED DESIGN LIMITATIONS

- Minimum Sash Width: 700mm**
- Maximum Sash Width: 1000mm**
- Maximum Sash Height: 2500mm (dependant on site conditions)**
- Maximum Sash Weight: 80kg**

Specification

DRAINAGE

As with all dry glazed systems, it is recommended that the system is drained and ventilated as shown in this manual. IF IN DOUBT ASK.

OUTER FRAME MANUFACTURING INFORMATION

The outer frame members are cut with 45° mitred ends to the overall size required.

The mitred ends are then prepared using the punch tool ACDV900 to provide the access for the fixing block and to the grub screw that secures it.

Holes for the low threshold are drilled to the dimensions shown in the manual. All joints should be sealed using ACSIL04

DOOR LEAF MANUFACTURING INFORMATION

The door stiles and rails are cut with 90° square ends to the overall size required.

Prior to assembly the position of any rails should be marked on the stiles. Rail positions should be marked out on both stiles in pairs to ensure accurate alignment of the sections. Cleats are then slid into position and fixed by tightening the dog-pointed grub screw until the end pierces the aluminium. Door rails should have an 5.5mm dia hole 25.5mm in from each end, which are then slid over the cleat and fixed into position using a countersunk machine screw. Deep bottom rail door joints require stainless steel self tapping screws to be fixed through the vertical members. All joints should be sealed using ACSIL04.

Specification

DOOR FITTINGS

Visofold 2000 offers multi-point locking for the primary leaf which is operated via lever/lever handles and locked using a europrofile cylinder.

Secondary doors are closed using a shootbolt which engages into the head and threshold using a rotating handle which operates 170 degrees to allow access to the optional europrofile half cylinder. There is no external access to the shootbolt locking.

The cylinders can be ordered as keyed alike.

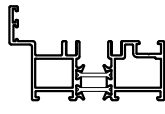
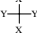
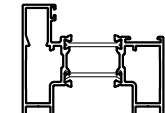
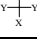
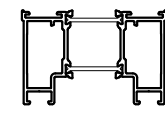
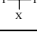
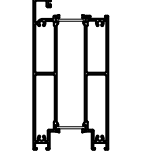
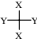
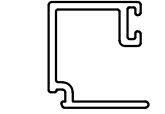
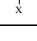
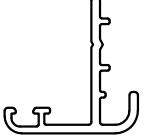
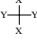
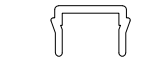
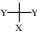
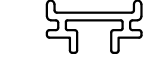
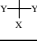
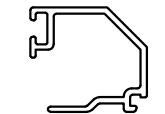
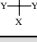
GLAZING

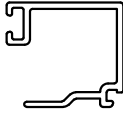
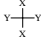

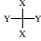

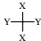

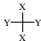
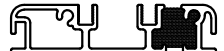
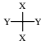

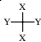

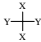

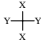

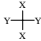
All beads are cut to suit the glazing aperture on the fully assemble door for glazing either at factory or on site as required. Glazing is for 28mm double glazed units only


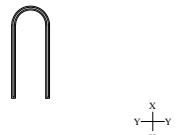
External gaskets are compatible with Pilkington Active sealed units.

Visofold 2000 Weather Performance

BS EN 1026: 2000 Air Permeability: Class 2 - 300 Pa
BS EN 1027: 2000 Watertightness: Class 7a - 300 Pa
BS EN 12211: 2000 Resistance to Wind Load: Class 1800 - 1800Pa

Number	Picture	Page	Perim. mm	Mec. mm	Ix(cm4) wx(cm3)	Iy(cm4) wy(cm3)	Length	Pack pr.	MF	SA	KL	HP	M		
DV14	 	A08	473.7	99.2	37.0 ----- 8.9	7.8 ----- 4.3	6.5	1	X	X	X	X	X		
DV23	 	A08	422.1	140.0	43.0 ----- 10.6	16.2 ----- 5.8	6.5	1	X	X	X	X	X		
DV24	 	A09	412.7	121.7	41.1 ----- 10.8	14.0 ----- 6.1	6.5	1	X	X	X	X	X		
DV25	 	A10	823.9	309.4	105.3 ----- 27.2	279.4 ----- 38.9	6.5	1	X	X	X	X	X		
DV51	 	A11	132.09	66.81	0.487 ----- 0.439	3.268 ----- 0.361	6.5	1	X	X	X	X			
DV56	 	A11	124.91	45.43	0.423 ----- 0.245	3.07 ----- 0.218	6.5	1	X	X	X	X			
DV60	 PVC 	A11	-	-	- ----- -	- ----- -	6	1							
DV62	 	A11	58.91	X	0.007 ----- 0.011	0.488 ----- 0.078	4	1	X						
DV63	 	A11	139.07	48.63	0.409 ----- 0.386	4.222 ----- 0.417	6.5	1	X	X	X	X			
								A = Outside B = Inside		GOZ = Gold W = White Z = Black		MF = Mill Finish SA = Silver Anodised KL = Basic Colour HP = Special Colour M = Dual Colour			

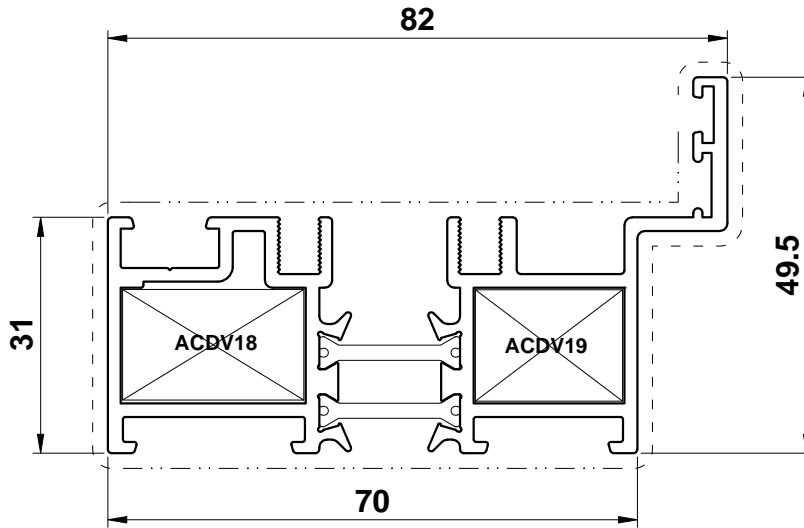
Number	Picture	Page	Perim. mm	Mec. mm	lx(cm4) wx(cm3)	ly(cm4) wy(cm3)	Length	Pack pr.	MF	SA	KL	HP	M	
DV67	 	A11	144.27	49.85	0.4577 ----- 0.406	0.4586 ----- 0.499	6.5	1	X	X	X	X		
DV68	 	A11	98	4.00	- ----- -	- ----- -	6.5	1	X	X	X	X		
DV171	 	A12	409.30	112.84	1.062 ----- 1.360	23.51 ----- 6.154	6.5	1		X				
DV172	 	A14	385.73	47.70	0.896 ----- 0.687	17.298 ----- 5.414	6.5	1	X	X	X	X	X	
DV173	 	A13	472.58	119.32	27.13 ----- 7.06	2.16 ----- 2.29	6.5	1		X				
DV174	 	A13	187.42	47.02	0.296 ----- 0.309	16.655 ----- 1.1001	6.5	1		X				
EUD03	 	A12	112.85	38.59	0.0865 ----- 0.139	12.983 ----- 0.917	4	1	X	X				
PCX15	 PVC 	A14	-	-	- ----- -	- ----- -	4	1						
PCX36	 PVC 	A14	-	-	- ----- -	- ----- -	3	1						
								A = Outside B = Inside		GOZ = Gold W = White Z = Black		MF = Mill Finish SA = Silver Anodised KL = Basic Colour HP = Special Colour M = Dual Colour		

Number	Picture	Page	Perim. mm	Mec. mm	Ix(cm4) wx(cm3)	Iy(cm4) wy(cm3)	Length	Pack pr.	MF	SA	KL	HP	M	
VG52	 PVC	A14	-	-	- ----- -	- ----- -	7	1	X					
VG53		A14	-	-	- ----- -	- ----- -	6.5	1	X					
								A = Outside B = Inside		GOZ = Gold W = White Z = Black		MF = Mill Finish SA = Silver Anodised KL = Basic Colour HP = Special Colour M = Dual Colour		

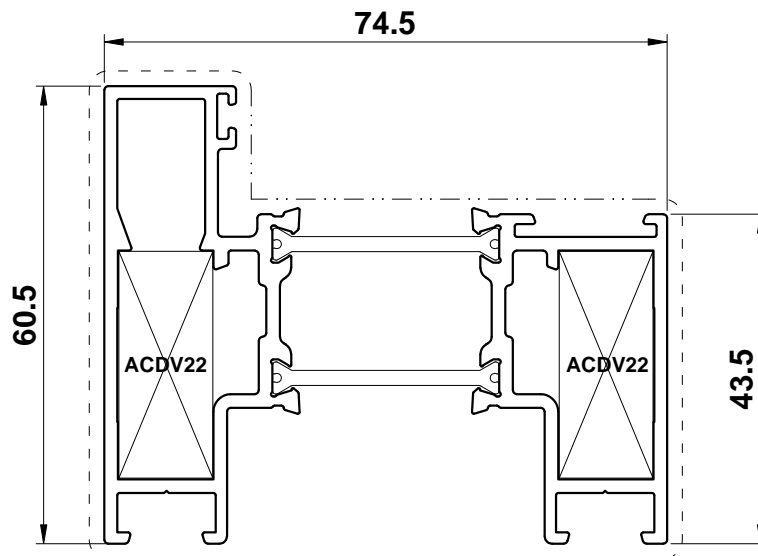
Primary Visible Side

Secondary Visible Side

DV14



DV23

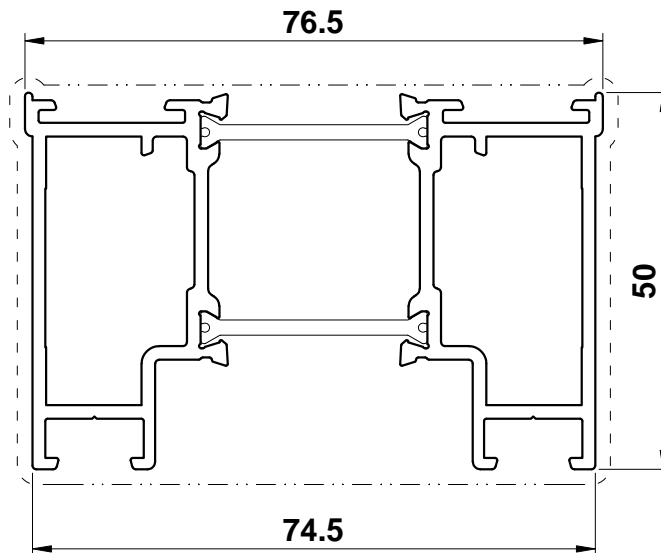


Scale 1:1

Primary Visible Side

Secondary Visible Side

DV24

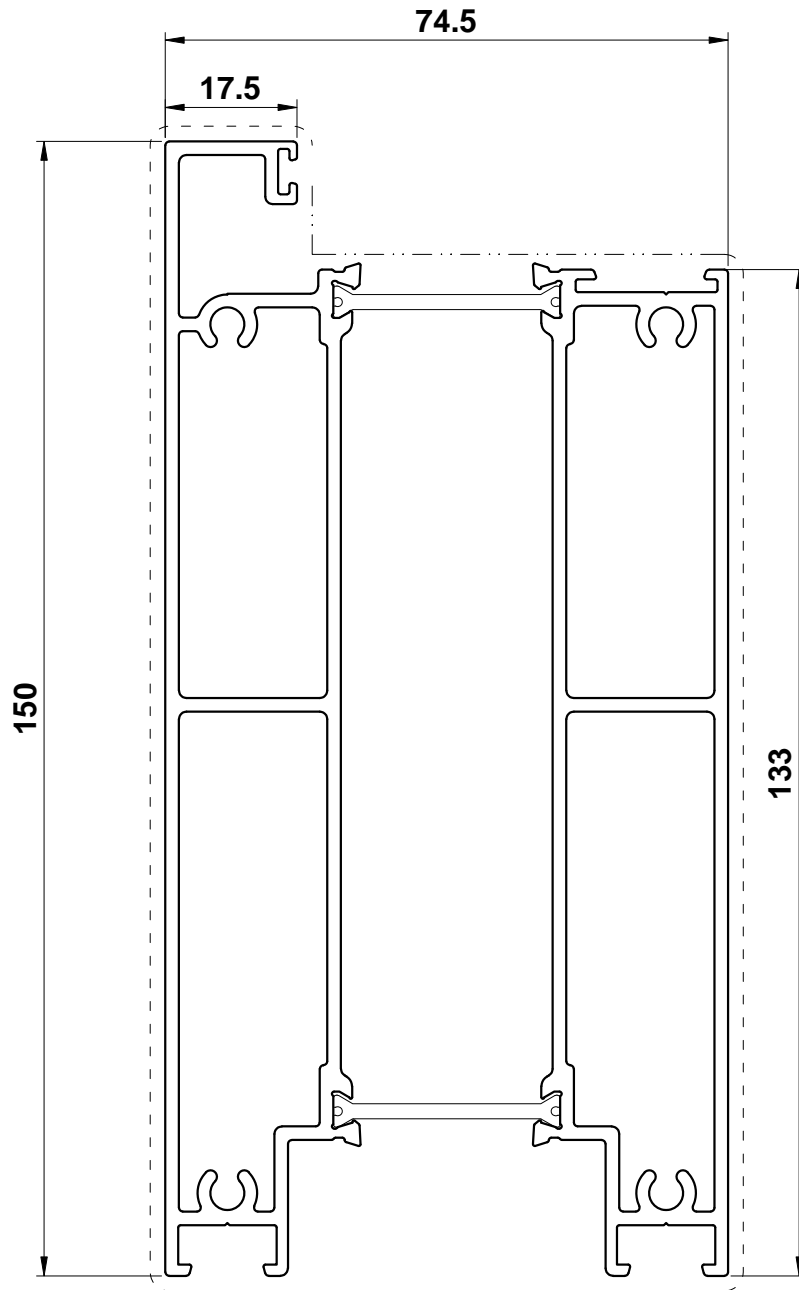


Scale 1:1

Primary Visible Side

Secondary Visible Side

DV25

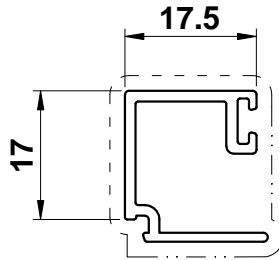


Scale 1:1

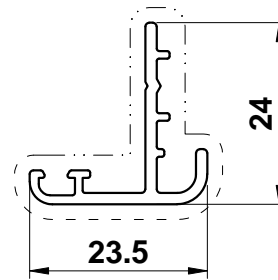
Primary Visible Side

Secondary Visible Side

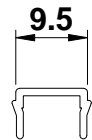
DV51



DV56

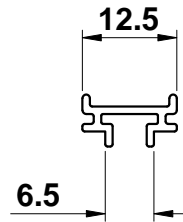


DV60

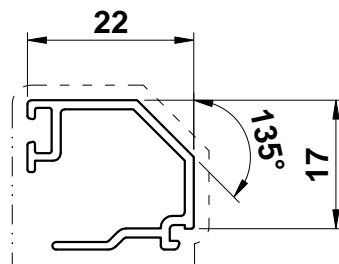


PVC

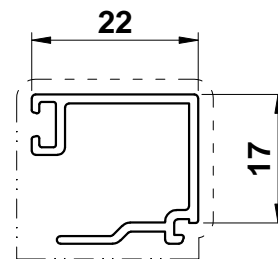
DV62



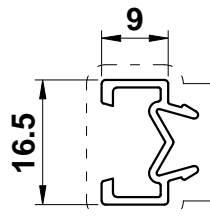
DV63



DV67



DV68

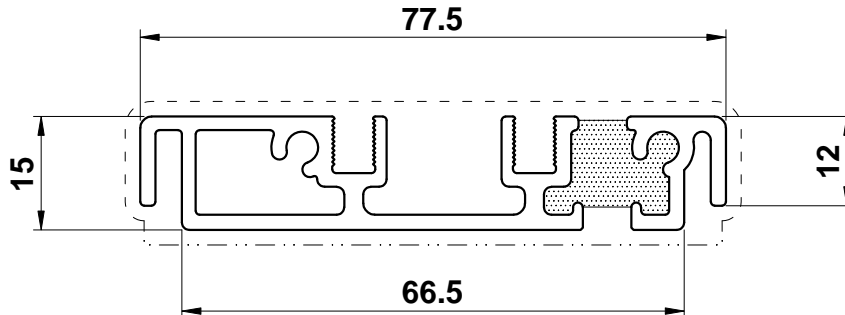


Scale 1:1

Primary Visible Side

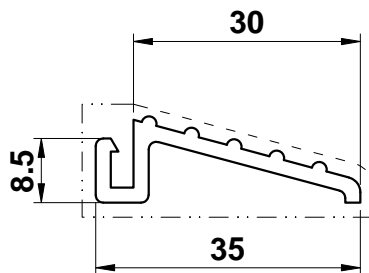
Secondary Visible Side

DV171*



***DV171 is non-rebated. Please use rebated threshold where enhanced weather performance is required.**

EUD03

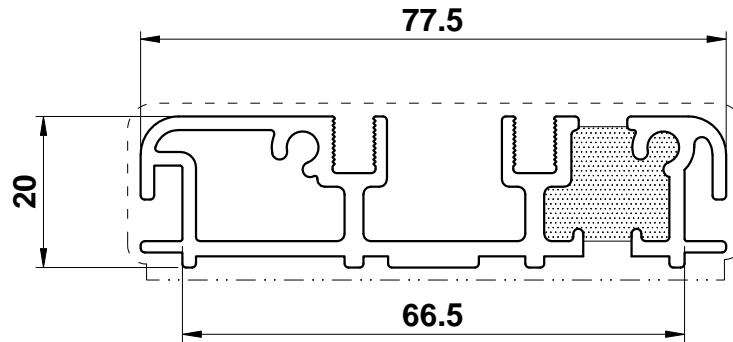


Scale 1:1

Primary Visible Side

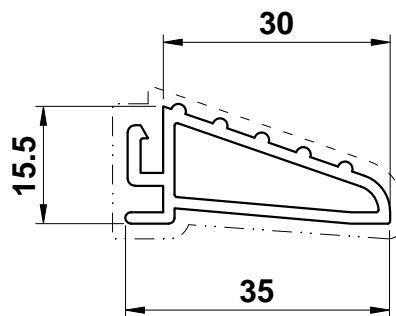
Secondary Visible Side

DV173*



***DV173 is non-rebated. Please use rebated threshold where enhanced weather performance is required.**

DV174

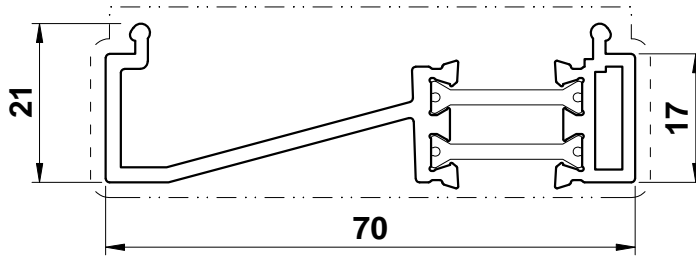


Scale 1:1

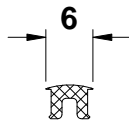
Primary Visible Side

Secondary Visible Side

DV172

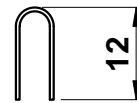


VG52



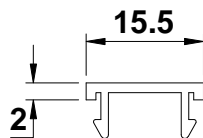
PVC

VG53



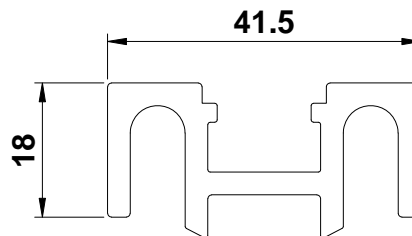
Stainless Steel

PCX15



PVC

PCX36



PVC

Scale 1:1

Section B



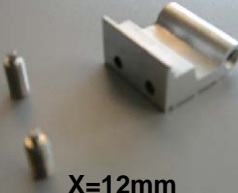
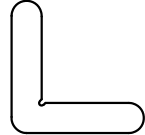
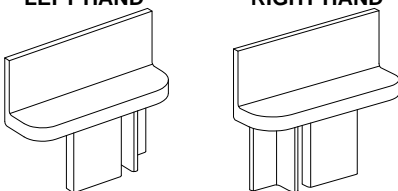
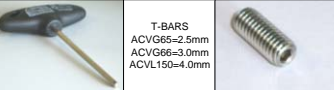
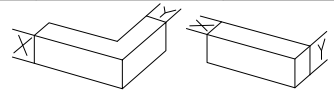
Image	Part Code	Pack	Unit	Application	Colour		
 <p>X=24mm Y=19mm</p>	ACDV18 Cleat	24	each	DV14	MF	X	
					SA		
					KL		
					HP		
					M		
					GOZ		
					W		
					Z		
 <p>X=20mm Y=15mm</p>	ACDV19 Cleat	24	each	DV14	MF	X	
					SA		
					KL		
					HP		
					M		
					GOZ		
					W		
					Z		
 <p>X=12mm Y=29mm</p>	ACDV22 Square Join Cleat	24	each	DV23	MF	X	
					SA		
					KL		
					HP		
					M		
					GOZ		
					W		
					Z		
	ACDV24 Chevron	20	each	DV14	MF	X	
					SA		
					KL		
					HP		
					M		
					GOZ		
					W		
					Z		
 <p>LEFT HAND RIGHT HAND</p>	ACDV56 End Caps	10	Pairs	DV56	MF		
					SA		
					KL		
					HP		
					M		
					GOZ		
					W	X	
					Z	X	
 <p>T-BARS ACVG65=2.5mm ACVG66=3.0mm ACVL150=4.0mm</p> <p>Screw (Grub)</p>		<p>MF = Mill Finish SA = Silver Anodised KL = Basic Colour HP = Special Colour M = Dual Colour</p>		<p>GOZ = Gold W = White Z = Black</p>			

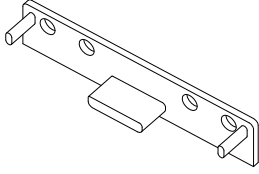
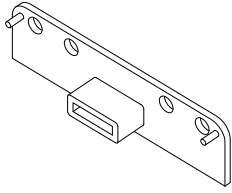
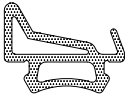
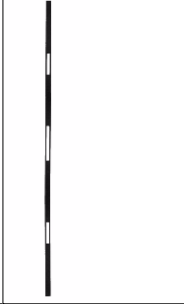



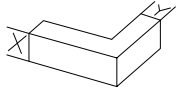
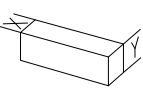
Image	Part Code	Pack	Unit	Application	Colour	
	ACDV171 Threshold End Cap	10	each	DV171	MF	
					SA	
					KL	
					HP	
					M	
					GOZ	
					W	
					Z	X
	ACDV173 Threshold End Cap	10	each	DV173	MF	
					SA	
					KL	
					HP	
					M	
					GOZ	
					W	
					Z	X
	ACDV202N Intermediate Gasket	25	m	DV24	MF	
					SA	
					KL	
					HP	
					M	
					GOZ	
					W	
					Z	
	ACDV220 38 x 8 x 2000mm Support Plate	1	each	DV24	MF	
					SA	
					KL	
					HP	
					M	
					GOZ	
					W	
					Z	X
	ACDV225 Shootbolt Operating Handle with Escutcheon	1	each	DV24 ACDV227 ACMX1603	MF	
					SA	
					KL	
					HP	
					M	
					GOZ	
					W	X
					Z	X
					PC	X
		MF = Mill Finish SA = Silver Anodised KL = Basic Colour HP = Special Colour M = Dual Colour		GOZ = Gold W = White Z = Black PC = Chrome		 

Image	Part Code	Pack	Unit	Application	Colour
	ACDV226 Shootbolt Operating Handle for use without cylinder	1	each	DV24 ACDV227	MF SA KL HP M GOZ W X Z X PC X
	ACDV227 Shootbolt Gearbox	1	each	DV24 ACDV228	MF X SA KL HP M GOZ W Z
	ACDV228 Shootbolt Locking Rods - Length 1300mm	1	pair	DV24 ACDV227	MF X SA KL HP M GOZ W Z
	ACDV230 Gearbox Cover Plate Black Only	1	each	DV24	MF SA KL HP M GOZ W Z X
	ACDV231 Intermediate Hinge Assembly Black & White	1	each	DV24	MF SA KL HP M GOZ W Z X
 <p>T-BARS ACVG65=2.5mm ACVG66=3.0mm ACVL150=4.0mm</p>  <p>Screw (Grub)</p>	<p>MF = Mill Finish SA = Silver Anodised KL = Basic Colour HP = Special Colour M = Dual Colour</p> <p>GOZ = Gold W = White Z = Black</p>				

Image	Part Code	Pack	Unit	Application	Colour																		
	ACDV232 Bottom Roller Carrier Includes Hinges Black & White	1	each	DV24	<table border="1"> <tr><td>MF</td><td></td></tr> <tr><td>SA</td><td></td></tr> <tr><td>KL</td><td></td></tr> <tr><td>HP</td><td></td></tr> <tr><td>M</td><td></td></tr> <tr><td>GOZ</td><td></td></tr> <tr><td>W</td><td></td></tr> <tr><td>Z</td><td>X</td></tr> </table>	MF		SA		KL		HP		M		GOZ		W		Z	X		
MF																							
SA																							
KL																							
HP																							
M																							
GOZ																							
W																							
Z	X																						
	ACDV233 Top Guide Carrier Includes Hinges Black & White	1	each	DV24	<table border="1"> <tr><td>MF</td><td></td></tr> <tr><td>SA</td><td></td></tr> <tr><td>KL</td><td></td></tr> <tr><td>HP</td><td></td></tr> <tr><td>M</td><td></td></tr> <tr><td>GOZ</td><td></td></tr> <tr><td>W</td><td></td></tr> <tr><td>Z</td><td>X</td></tr> </table>	MF		SA		KL		HP		M		GOZ		W		Z	X		
MF																							
SA																							
KL																							
HP																							
M																							
GOZ																							
W																							
Z	X																						
	ACDV234 D Handle Hinge Assembly Note: The chrome version of ACDV234 has a black hinge & chrome 'D' For Open Out Doors Black, White & Chrome	1	each	DV24	<table border="1"> <tr><td>MF</td><td></td></tr> <tr><td>SA</td><td></td></tr> <tr><td>KL</td><td></td></tr> <tr><td>HP</td><td></td></tr> <tr><td>M</td><td></td></tr> <tr><td>GOZ</td><td></td></tr> <tr><td>W</td><td></td></tr> <tr><td>Z</td><td>X</td></tr> <tr><td>PC</td><td>X</td></tr> </table>	MF		SA		KL		HP		M		GOZ		W		Z	X	PC	X
MF																							
SA																							
KL																							
HP																							
M																							
GOZ																							
W																							
Z	X																						
PC	X																						
	ACDV241 Fixing Plate	50	each	DV14 DV24	<table border="1"> <tr><td>MF</td><td>X</td></tr> <tr><td>SA</td><td></td></tr> <tr><td>KL</td><td></td></tr> <tr><td>HP</td><td></td></tr> <tr><td>M</td><td></td></tr> <tr><td>GOZ</td><td></td></tr> <tr><td>W</td><td></td></tr> <tr><td>Z</td><td></td></tr> </table>	MF	X	SA		KL		HP		M		GOZ		W		Z			
MF	X																						
SA																							
KL																							
HP																							
M																							
GOZ																							
W																							
Z																							
	ACDV244 Flipper Gasket	100	m	DV14	<table border="1"> <tr><td>MF</td><td></td></tr> <tr><td>SA</td><td></td></tr> <tr><td>KL</td><td></td></tr> <tr><td>HP</td><td></td></tr> <tr><td>M</td><td></td></tr> <tr><td>GOZ</td><td></td></tr> <tr><td>W</td><td></td></tr> <tr><td>Z</td><td>X</td></tr> </table>	MF		SA		KL		HP		M		GOZ		W		Z	X		
MF																							
SA																							
KL																							
HP																							
M																							
GOZ																							
W																							
Z	X																						
 <p>T-BARS ACVG65=2.5mm ACVG66=3.0mm ACVL150=4.0mm</p>  <p>Screw (Grub)</p>	<p>MF = Mill Finish SA = Silver Anodised KL = Basic Colour HP = Special Colour M = Dual Colour</p> <p>GOZ = Gold W = White Z = Black PC = Chrome</p>																						

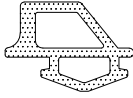
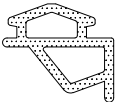
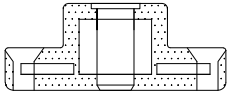
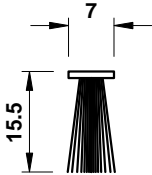



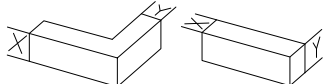
Image	Part Code	Pack	Unit	Application	Colour	
	ACDV245 Bubble Seal Perimeter Only	50	m	DV14	MF	
					SA	
					KL	
					HP	
					M	
					GOZ	
					W	
					Z	X
	ACDV246 Bubble Seal with 'Fin' Perimeter Only	50	m	DV24	MF	
					SA	
					KL	
					HP	
					M	
					GOZ	
					W	
					Z	X
	ACDV248 Full Height Keep Packer Length: 2170mm Grey - Keep Packer	1	each	DV24 ACET060 ACDV717	MF	X
					SA	
					KL	
					HP	
					M	
					GOZ	
					W	
					Z	
	ACDV249 Brush Pile (Black)	250	m	DV171 DV173	MF	
					SA	
					KL	
					HP	
					M	
					GOZ	
					W	
					Z	X
	ACDV251 Lever/Lever Handles	1	pair	DV24 ACDV717 ACDV718 ACDV719	MF	
					SA	
					KL	
					HP	
					M	
					GOZ	
					W	X
					Z	X
PC	X					
 <p>T-BARS ACVG65=2.5mm ACVG66=3.0mm ACVL150=4.0mm</p>	 <p>Screw (Grub)</p>	<p>MF = Mill Finish SA = Silver Anodised KL = Basic Colour HP = Special Colour M = Dual Colour</p>	<p>GOZ = Gold W = White Z = Black PC = Chrome</p>			

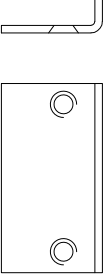
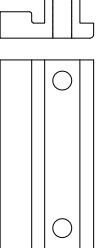
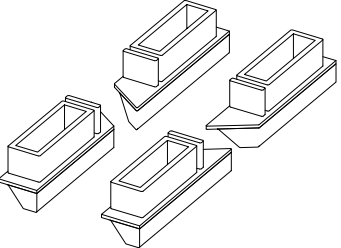

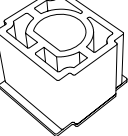


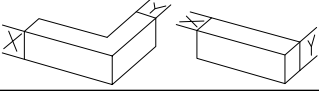
Image	Part Code	Pack	Unit	Application		
	ACDV252 Stainless Steel Keep Guide	10	each	DV14 DV24 ACDV717 ACDV718 ACDV719	MF	X
					SA	
					KL	
					HP	
					M	
					GOZ	
					W	
					Z	
	ACDV253 Keep Guide Packer	5	each	DV14 DV24 ACDV252	MF	
					SA	
					KL	
					HP	
					M	
					GOZ	
					W	
					Z	X
	ACDV257 Infill Blocks	10	sets	DV24	MF	
					SA	
					KL	
					HP	
					M	
					GOZ	
					W	X
					Z	X
	ACDV258 50/50 Euro Cylinder for use with ACDV251 only For Keyed Alike Order ACDV258 SL	1	each	DV24 ACDV251 ACDV717 ACDV718 ACDV719	MF	X
					SA	
					KL	
					HP	
					M	
					GOZ	
					W	
					Z	
	ACDV259 Shootbolt Guide	10	each	DV24 ACDV228	MF	
					SA	
					KL	
					HP	
					M	
					GOZ	
					W	
					Z	X
				MF = Mill Finish SA = Silver Anodised KL = Basic Colour HP = Special Colour M = Dual Colour	GOZ = Gold W = White Z = Black	

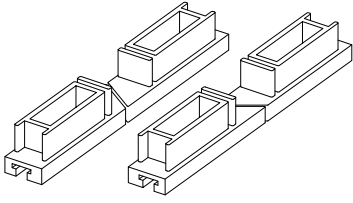



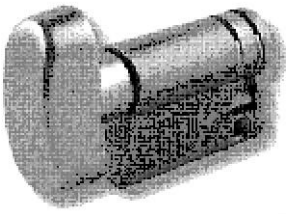


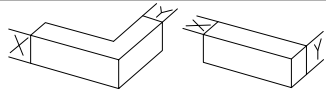
Image	Part Code	Pack	Unit	Application	Colour
	ACDV261 End Caps with Wool Pile Channel For Low Threshold	10	sets	DV24 DV171 DV173 ACDV249	MF SA KL HP M GOZ W X Z X
	ACDV262 M4 x 50 CSK S/S Screw	100	each	DV24 ACDV717	MF X SA KL HP M GOZ W Z
	ACDV264 M4 x 35 CSK S/S Screw	100	each	DV24 ACDV718 ACDV719	MF X SA KL HP M GOZ W Z
	ACDV265 M4 x 60 CSK S/S Screw	100	each	DV24 ACDV718 ACDV719	MF X SA KL HP M GOZ W Z
	ACDV267 Half Cylinder with Thumb Turn	1	each	ACDV225 ACDV227	MF X SA KL HP M GOZ W Z
 T-BARS ACVG65=2.5mm ACVG66=3.0mm ACVL150=4.0mm	 Screw (Grub)	MF = Mill Finish SA = Silver Anodised KL = Basic Colour HP = Special Colour M = Dual Colour		GOZ = Gold W = White Z = Black PC = Chrome	






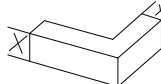
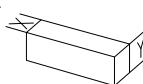
Image	Part Code	Pack	Unit	Application	Colour	
	ACDV274 D Handle Hinge Assembly Note: The chrome version of ACDV234 has a black hinge & chrome 'D' For Open In Doors Black, White & Chrome	1	each	DV24	MF	
					SA	
					KL	
					HP	
					M	
					GOZ	
					W	X
					Z	X
PC	X					
	ACDV308 Magnetic Door Holder	1	each	DV23	MF	
					SA	
					KL	
					HP	
					M	
					GOZ	
					W	
					Z	
PC	X					
	ACDV717 Multi Point Lock Kit Includes Lock & Keep Only	1	each	DV24 ACMX108 ACMX109 ACMX120 ACIM442 ACDV251	MF	
					SA	
					KL	
					HP	
					M	
					GOZ	
					W	
					Z	
 <p>T-BARS ACV66=2.5mm ACV66=3.0mm ACVL190=4.0mm</p>  <p>Screw (Grub)</p>	MF = Mill Finish SA = Silver Anodised KL = Basic Colour HP = Special Colour M = Dual Colour	GOZ = Gold W = White Z = Black PC = Chrome	 			

Image	Part Code	Pack	Unit	Application Colour																	
	<p>ACDV718</p> <p>Multi Point Lock Kit with LEFT HAND Centre Keep</p> <p>Viewed Externally</p> <p>Left Hand Open Out Right Hand Open In</p>	1	each	<p>DV24 ACDV251 PCX36</p>	<table border="1"> <tr><td>MF</td><td>X</td></tr> <tr><td>SA</td><td></td></tr> <tr><td>KL</td><td></td></tr> <tr><td>HP</td><td></td></tr> <tr><td>M</td><td></td></tr> <tr><td>GOZ</td><td></td></tr> <tr><td>W</td><td></td></tr> <tr><td>Z</td><td></td></tr> </table>	MF	X	SA		KL		HP		M		GOZ		W		Z	
					MF	X															
SA																					
KL																					
HP																					
M																					
GOZ																					
W																					
Z																					
	<p>ACDV719</p> <p>Multi Point Lock Kit with RIGHT HAND Centre Keep</p> <p>Viewed Externally</p> <p>Left Hand Open In Right Hand Open Out</p>	1	each	<p>DV24 ACDV251 PCX36</p>	<table border="1"> <tr><td>MF</td><td>X</td></tr> <tr><td>SA</td><td></td></tr> <tr><td>KL</td><td></td></tr> <tr><td>HP</td><td></td></tr> <tr><td>M</td><td></td></tr> <tr><td>GOZ</td><td></td></tr> <tr><td>W</td><td></td></tr> <tr><td>Z</td><td></td></tr> </table>	MF	X	SA		KL		HP		M		GOZ		W		Z	
					MF	X															
SA																					
KL																					
HP																					
M																					
GOZ																					
W																					
Z																					
		<p>MF = Mill Finish SA = Silver Anodised KL = Basic Colour HP = Special Colour M = Dual Colour</p> <p>GOZ = Gold W = White Z = Black</p>																			


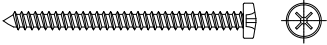
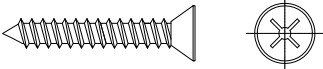

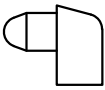



Image	Part Code	Pack	Unit	Application	Colour	
	ACDV900 Punch Tool	1	each	DV14	MF	X
					SA	
					KL	
					HP	
					M	
					GOZ	
					W	
					Z	
	ACDR052 No. 10 x 50 Pan Head S/S Self Tapper	200	pack	DV25 DV171 DV173	MF	X
					SA	
					KL	
					HP	
					M	
					GOZ	
					W	
					Z	
	ACET060 No. 7 x 1 CSK S/S Self Tapper	100	pack	ACDV248 ACDV252	MF	X
					SA	
					KL	
					HP	
					M	
					GOZ	
					W	
					Z	
	ACET067 No. 7 x 1/2 CSK S/S Self Tapper	100	pack	DV56	MF	X
					SA	
					KL	
					HP	
					M	
					GOZ	
					W	
					Z	
	ACET131 Drainage Cap	100	pack	DV23 DV25 DV171 DV173	MF	
					SA	
					KL	
					HP	
					M	
					GOZ	
					W	X
					Z	X
 T-BARS ACVG65=2.5mm ACVG66=3.0mm ACVL150=4.0mm	 Screw (Grub)	MF = Mill Finish SA = Silver Anodised KL = Basic Colour HP = Special Colour M = Dual Colour	GOZ = Gold W = White Z = Black			

Image	Part Code	Pack	Unit	Application	
	ACIM442 40/40 Cylinder For Keyed Alike Order <u>ACMX01603SL</u>	1	each	DV24 ACMX120 ACDV717 ACDV718 ACDV719	MF X
					SA
					KL
					HP
					M
					GOZ
					W
					Z
	ACMX01603 40 Half Cylinder For Keyed Alike Order <u>ACMX01603SL</u>	1	each	ACDV225 ACDV227	MF X
					SA
					KL
					HP
					M
					GOZ
					W
					Z
	ACMX108 Escutcheon	1	each	ACMX120	MF X
					SA X
					KL
					HP
					M
					GOZ
					W X
					Z X
	ACMX120 Lever Handle	1	each	DV24 ACDV717	MF X
					SA X
					KL X
					HP X
					M
					GOZ
					W X
					Z X
	ACMX309 130mm x 8 x 8 Spindle	1	each	ACMX120	MF
					SA
					KL
					HP
					M
					GOZ
					W
					Z
 	T-BARS ACVG65=2.5mm ACVG66=3.0mm ACVL150=4.0mm	Screw (Grub)	MF = Mill Finish SA = Silver Anodised KL = Basic Colour HP = Special Colour M = Dual Colour	GOZ = Gold W = White Z = Black	

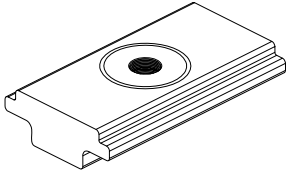



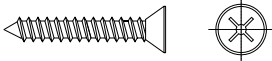


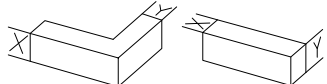
Image	Part Code	Pack	Unit	Application	Colour	
	ACSG023 M4 Fixing Plate	50	each	DV14 ACDV717 ACDV718 ACDV719 ACSG071	MF	X
					SA	
					KL	
					HP	
					M	
					GOZ	
					W	
					Z	
	ACVG31 3mm Retained Gasket	200	m	DV23 DV24 DV25	MF	
					SA	
					KL	
					HP	
					M	
					GOZ	
					W	
					Z	
	ACVG34 5mm Wedge Gasket	100	m	DV23 DV24 DV25	MF	
					SA	
					KL	
					HP	
					M	
					GOZ	
					W	
					Z	X
	ACVL032 Flipper Gasket	100	m	DV56	MF	
					SA	
					KL	
					HP	
					M	
					GOZ	
					W	
					Z	X
	MUA025SSZ No. 6 x 1" CSK S/S Self Tapper	100	each	ACDV308	MF	X
					SA	
					KL	
					HP	
					M	
					GOZ	
					W	
					Z	
 <small>T-BARS ACVG65=2.5mm ACVG66=3.0mm ACVL150=4.0mm</small>	 <small>Screw (Grub)</small>	MF = Mill Finish SA = Silver Anodised KL = Basic Colour HP = Special Colour M = Dual Colour	GOZ = Gold W = White Z = Black			

Image	Part Code	Pack	Unit	Application	Colour	
	ACMX09700 Alu. Polish	1	each		MF	X
					SA	
					KL	
					HP	
					M	
					GOZ	
					W	
					Z	
	ACMX09761 Maxi Gloss	1	each		MF	
					SA	
					KL	
					HP	
					M	
					GOZ	
					W	
					Z	
	ACMX09762 Alu. Bright	1	each		MF	
					SA	
					KL	
					HP	
					M	
					GOZ	
					W	
					Z	
	ACMX09763 Teflon Spray	1	each		MF	
					SA	
					KL	
					HP	
					M	
					GOZ	
					W	
					Z	
	ACMX09764 Maxi Clean	1	each		MF	
					SA	
					KL	
					HP	
					M	
					GOZ	
					W	
					Z	
 T-BARS ACVG65=2.5mm ACVG66=3.0mm ACVL150=4.0mm	 Screw (Grub)	MF = Mill Finish SA = Silver Anodised KL = Basic Colour HP = Special Colour		M = Dual Colour GOZ = Gold W = White Z = Black		

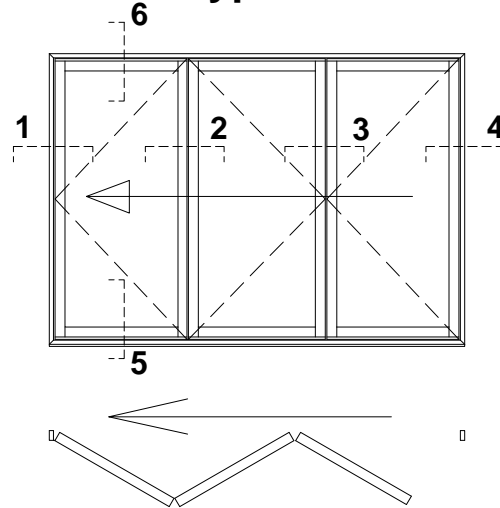
Image	Part Code	Pack	Unit	Application	Colour
	ACMX09765 Alu. Cleaner	1	each		MF SA KL HP M GOZ W Z
	ACMX09770 Roll & Wrap 100mm	1	each		MF SA KL HP M GOZ W Z
	ACMX09775 Grip Handwrap	1	each		MF SA KL HP M GOZ W Z
	ACMX09801 Protective Tape 50mm	1	each		MF SA KL HP M GOZ W Z
	ACMX09802 Protective Tape 70mm	1	each		MF SA KL HP M GOZ W Z
 <p>T-BARS ACVG65=2.5mm ACVG66=3.0mm ACVL150=4.0mm</p>  <p>Screw (Grub)</p>	<p>MF = Mill Finish SA = Silver Anodised KL = Basic Colour HP = Special Colour</p> <p>M = Dual Colour GOZ = Gold W = White Z = Black</p>				

Image	Part Code	Pack	Unit	Application	Colour	
	ACMX09803 Protective Tape 100mm	1	each		MF	
					SA	
					KL	
					HP	
					M	
					GOZ	
					W	
					Z	
	ACMX09830 Rubber Sealant	1	each		MF	
					SA	
					KL	
					HP	
					M	
					GOZ	
					W	
					Z	
	ACSIL04 Sealing Glue	1	each		MF	
					SA	
					KL	
					HP	
					M	
					GOZ	
					W	X
					Z	X
	ACSIL08 Silicon Gun	1	each		MF	
					SA	
					KL	
					HP	
					M	
					GOZ	
					W	
					Z	
	ACSIL013 Glue for Mitre	1	each		MF	
					SA	
					KL	
					HP	
					M	
					GOZ	
					W	
					Z	
	T-BARS ACVG65=2.5mm ACVG66=3.0mm ACVL150=4.0mm		Screw (Grub)	MF = Mill Finish SA = Silver Anodised KL = Basic Colour HP = Special Colour M = Dual Colour GOZ = Gold W = White Z = Black		

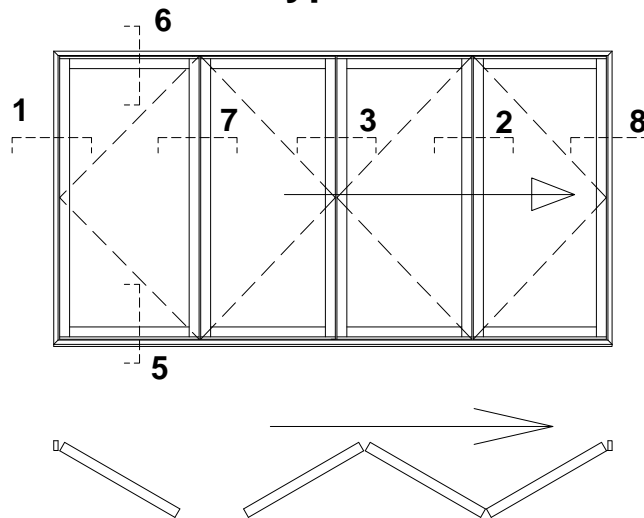
Section C

Open Out

Type 2e



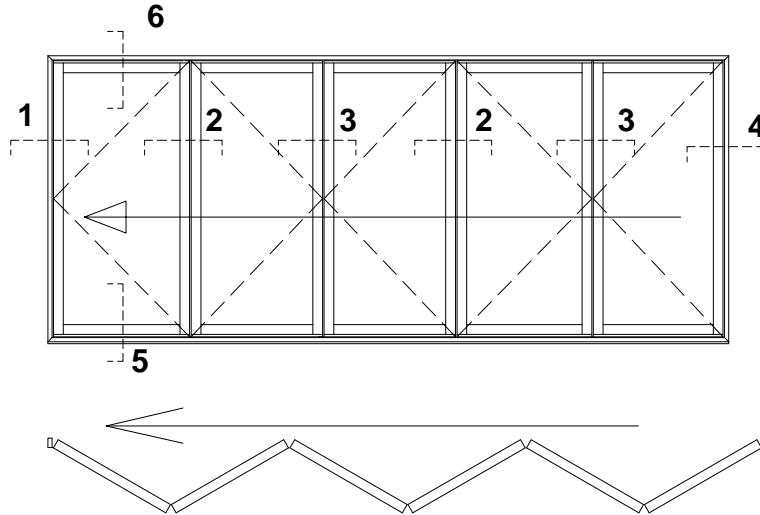
Type 4e



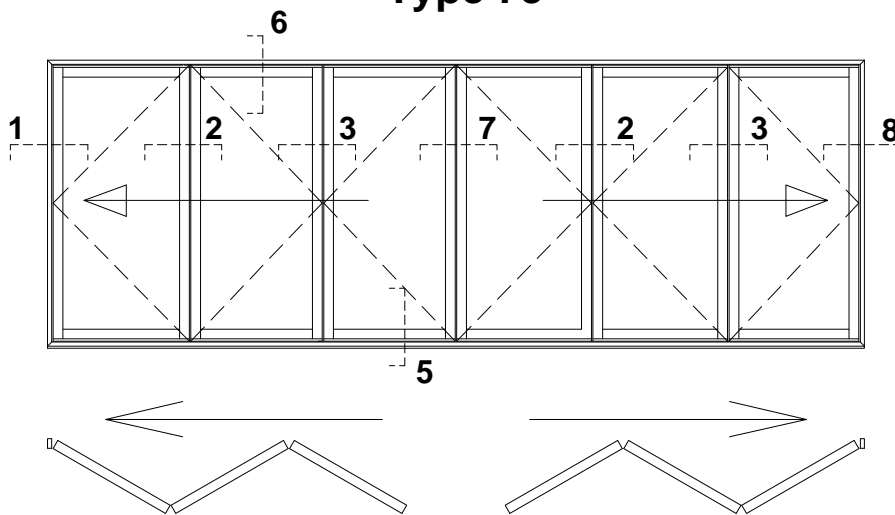
Do Not Scale From This Drawing

Open Out

Type 6e



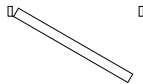
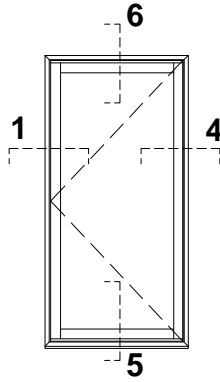
Type 7e



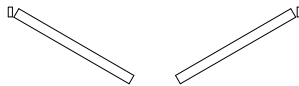
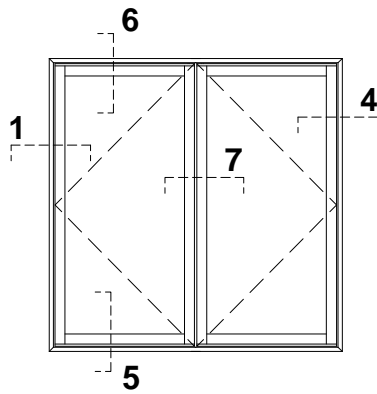
Do Not Scale From This Drawing

Open Out

Single Door

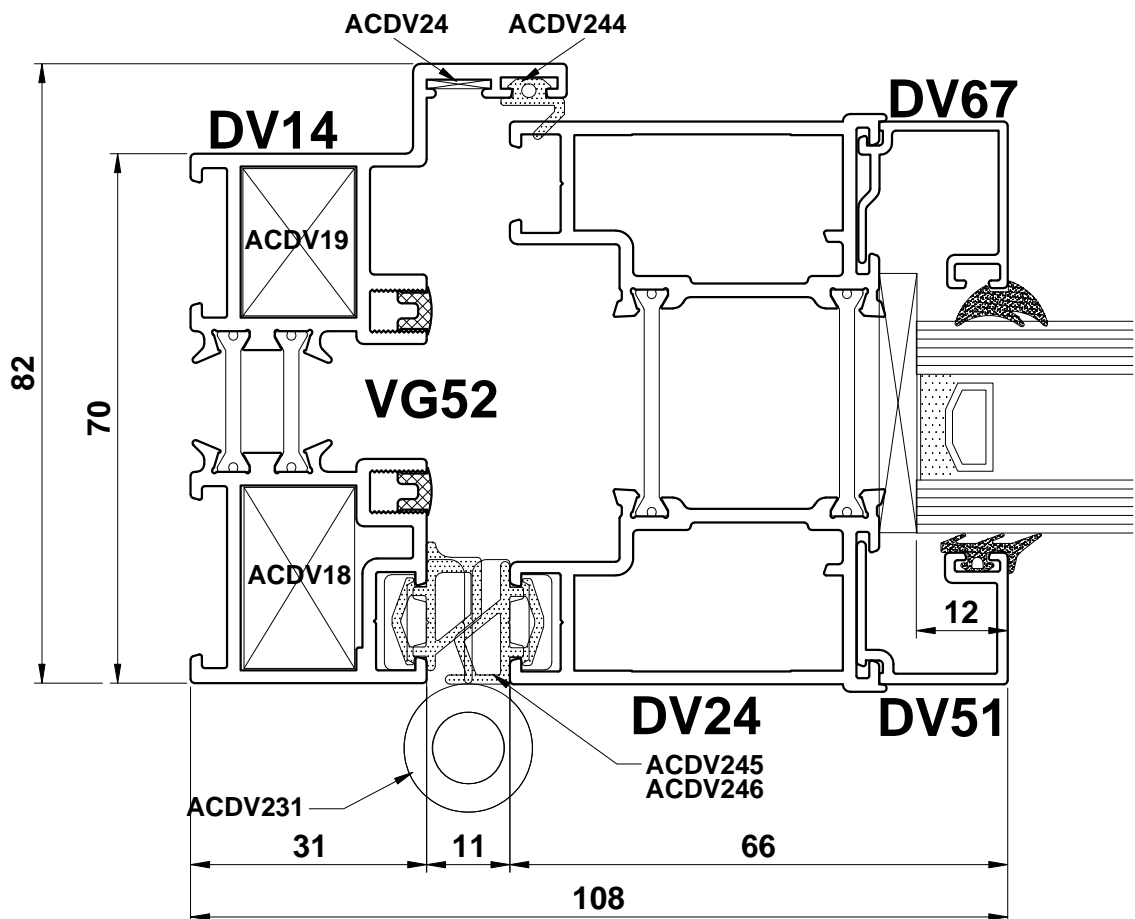
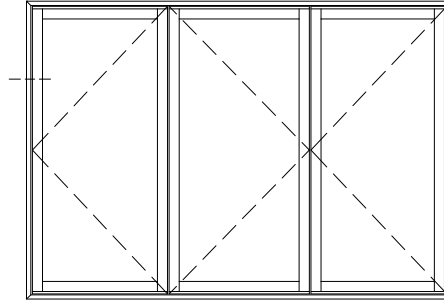


Double Door



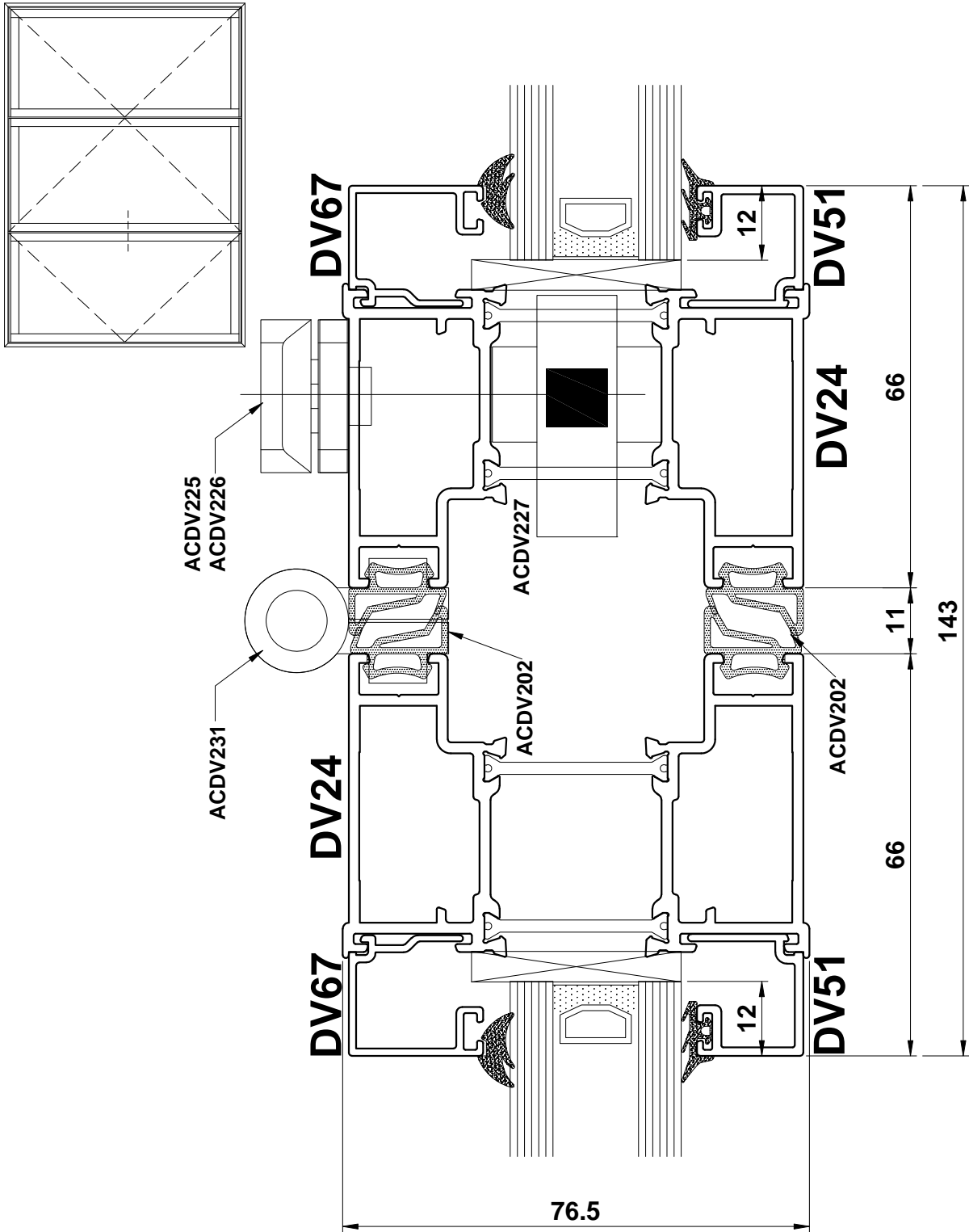
Do Not Scale From This Drawing

Open Out - Detail 1



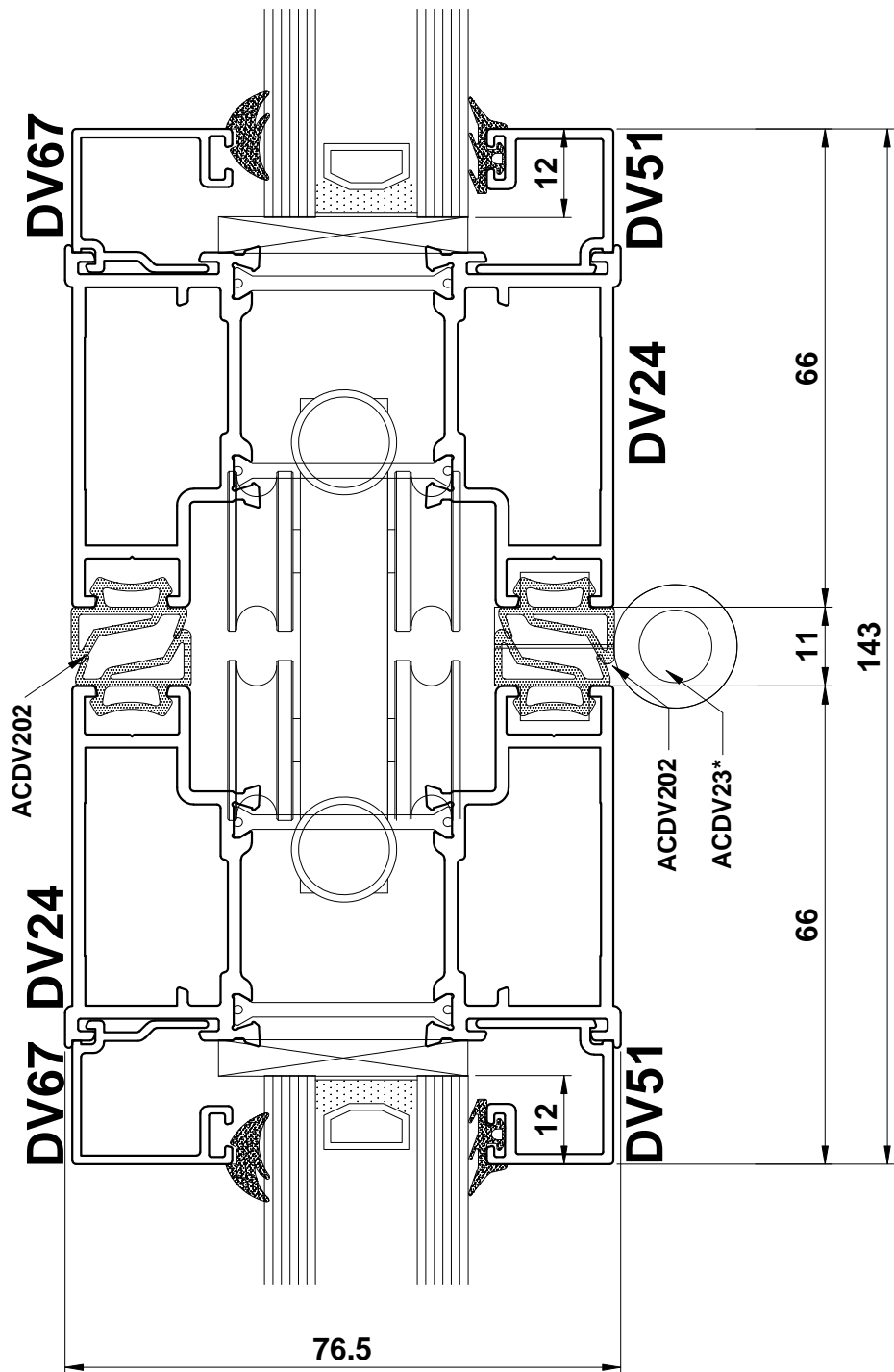
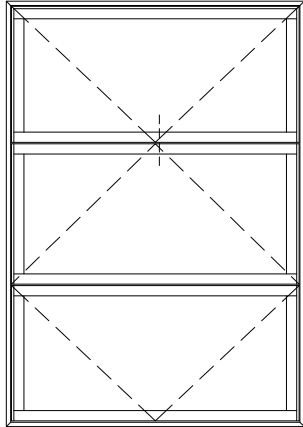
Do Not Scale From This Drawing

Open Out - Detail 2



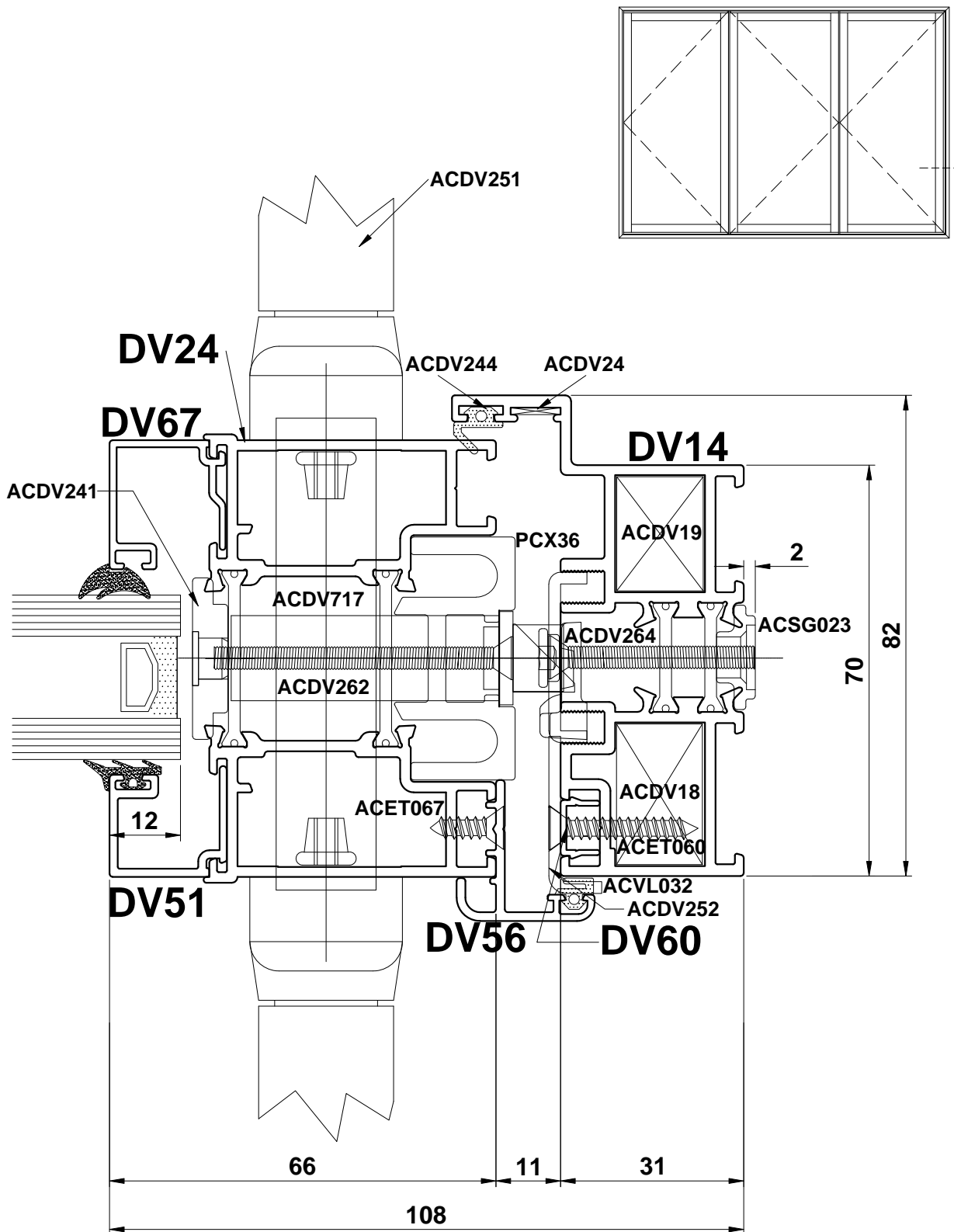
Do Not Scale From This Drawing

Open Out - Detail 3



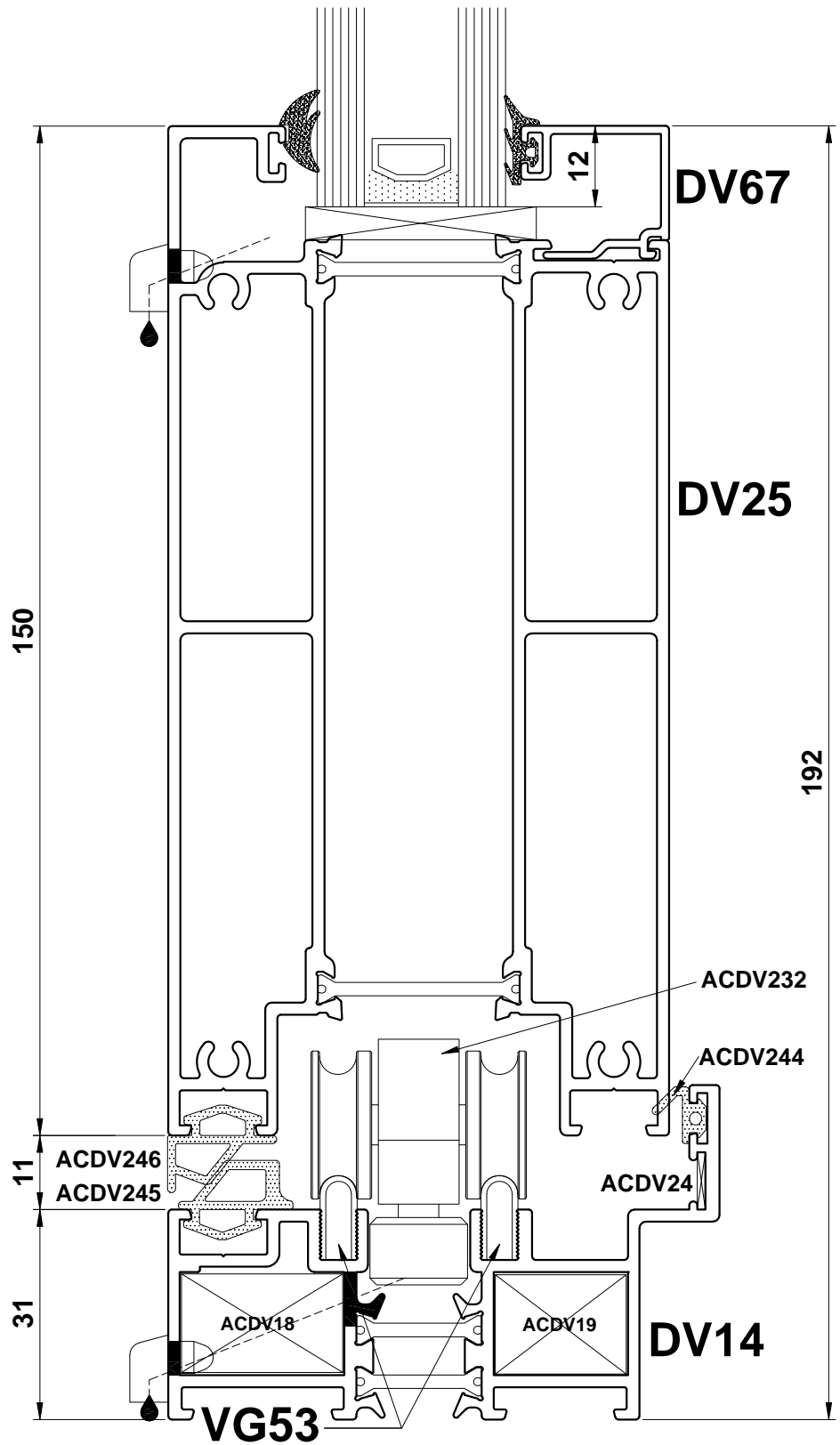
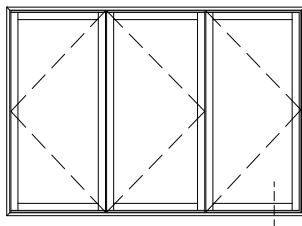
Do Not Scale From This Drawing

Open Out - Detail 4



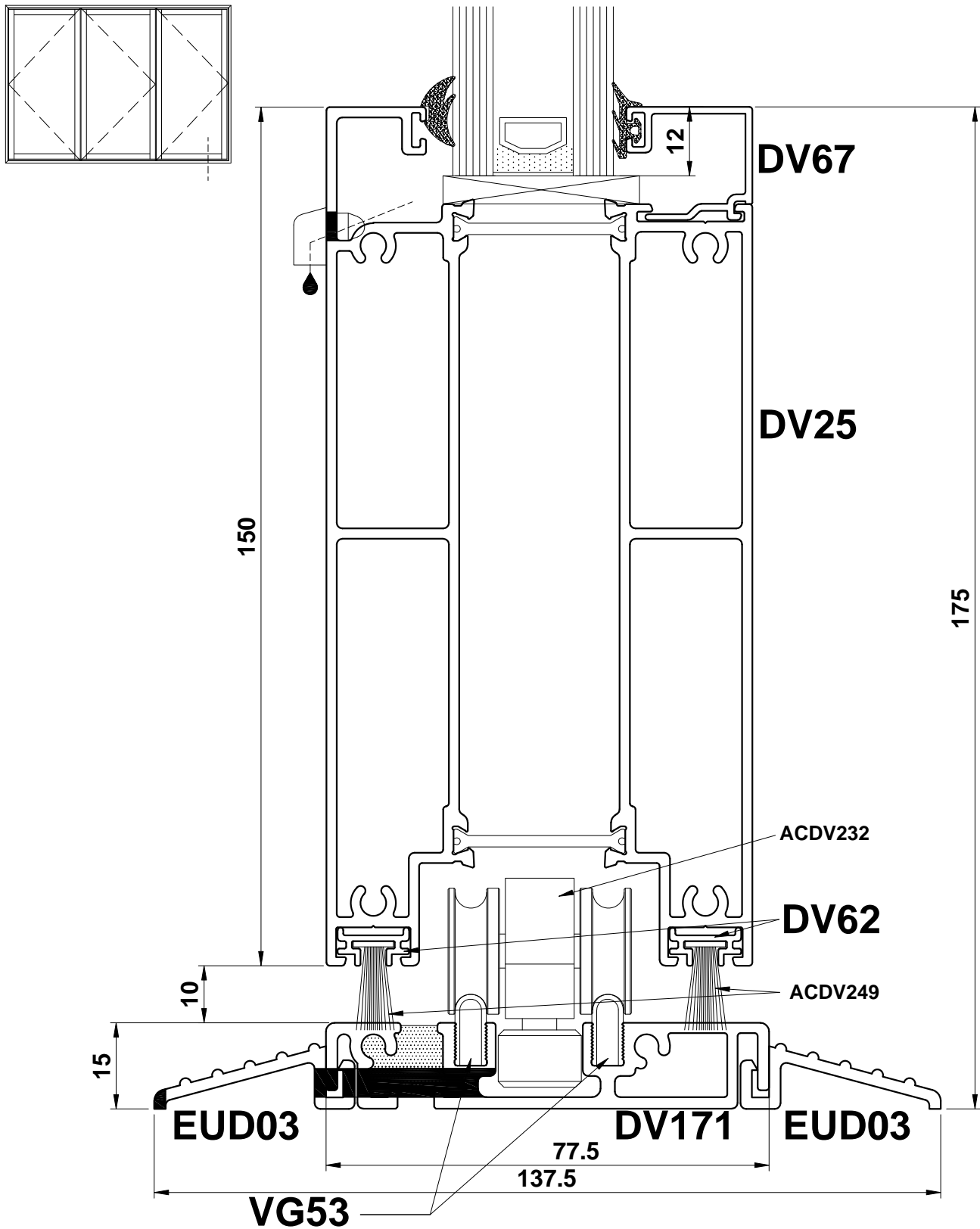
Do Not Scale From This Drawing

Open Out - Detail 5A



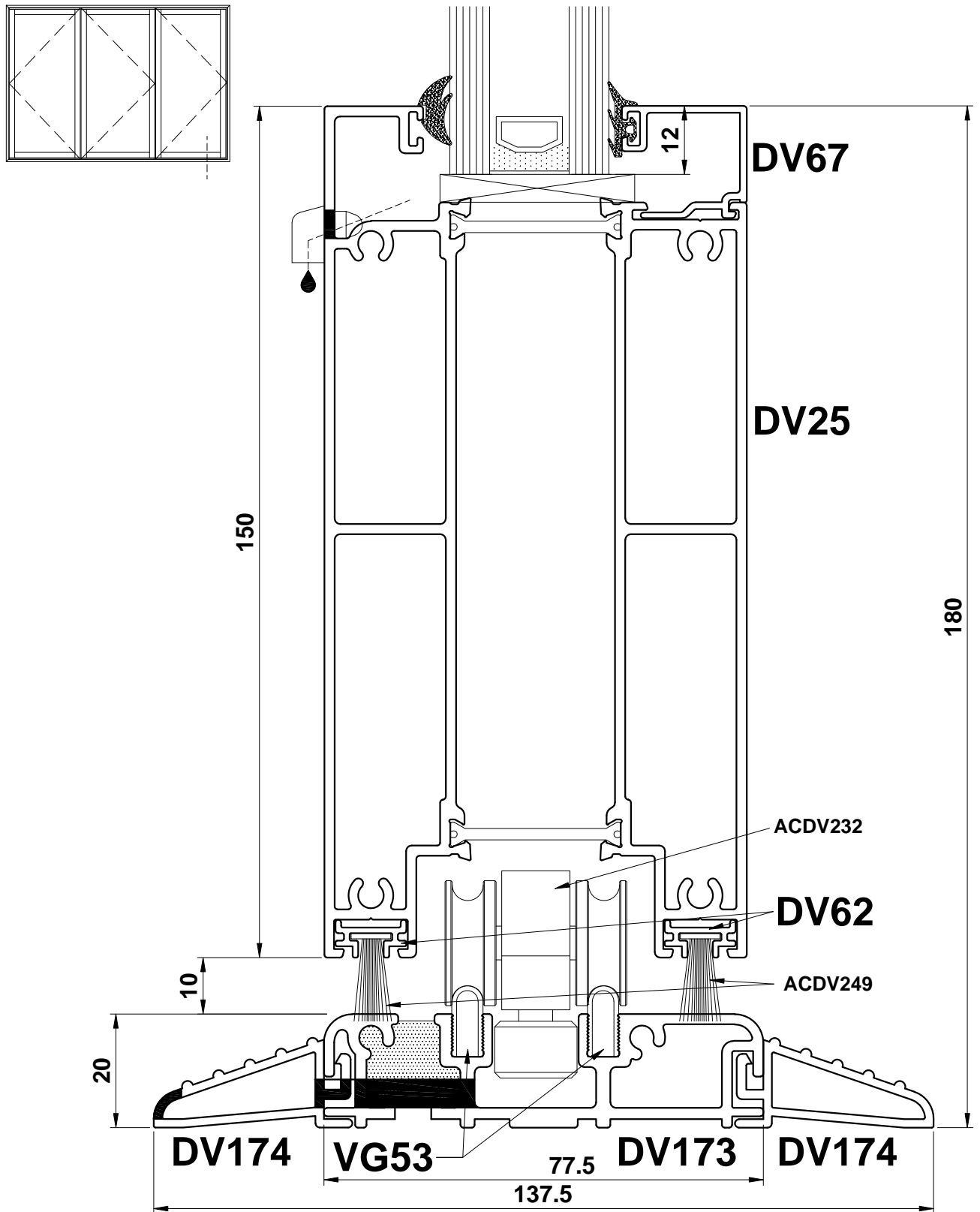
Do Not Scale From This Drawing

Open Out - Detail 5B



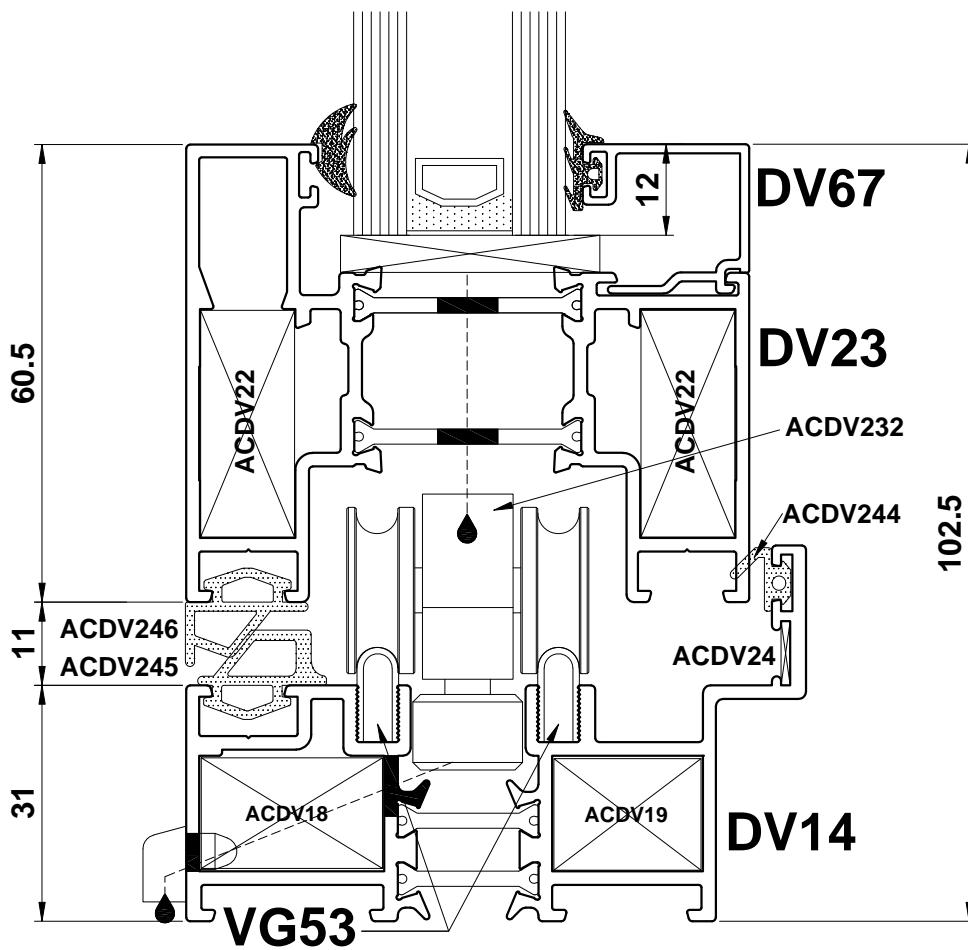
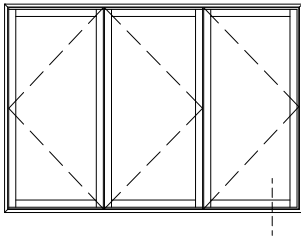
Do Not Scale From This Drawing

Open Out - Detail 5C



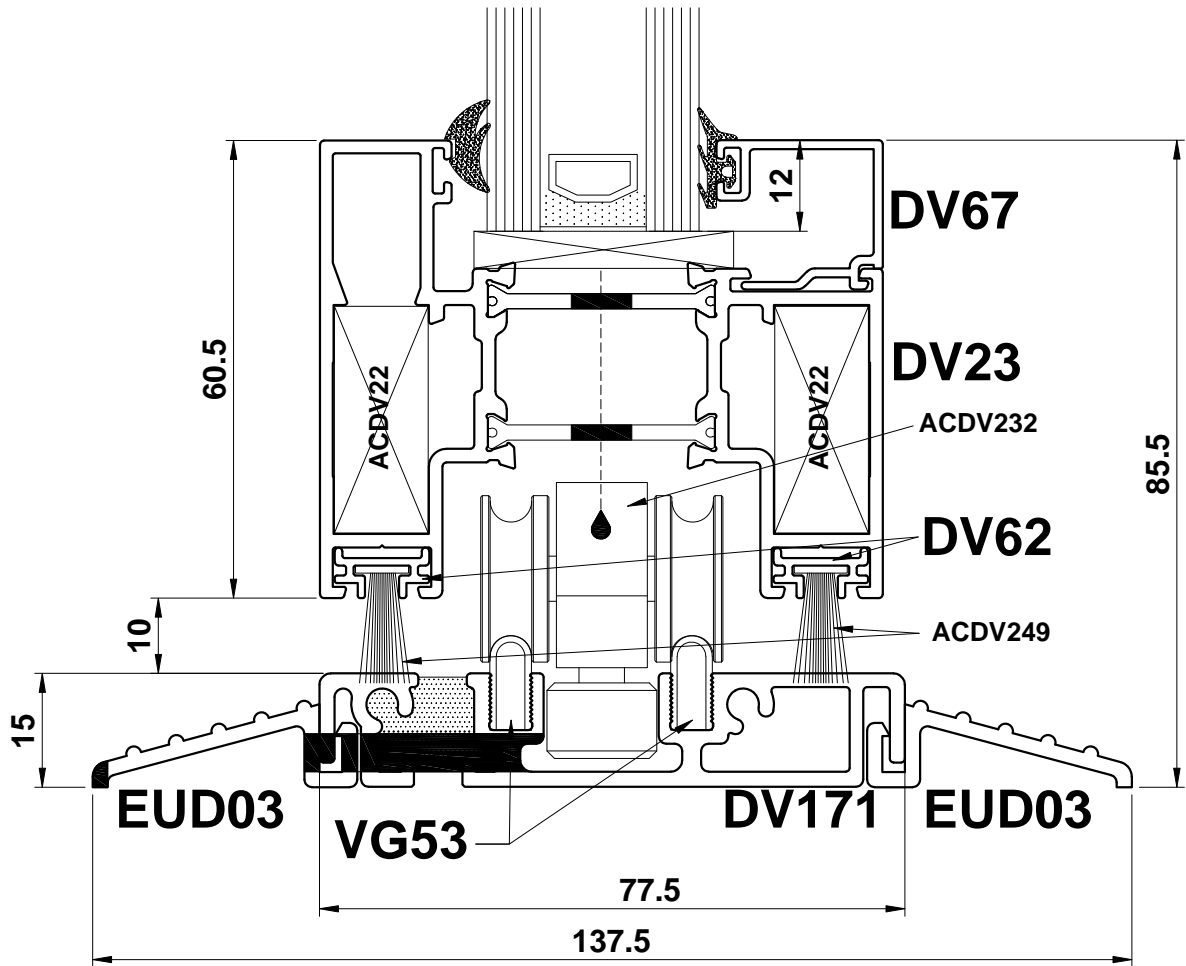
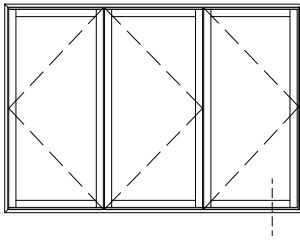
Do Not Scale From This Drawing

Open Out - Detail 5D



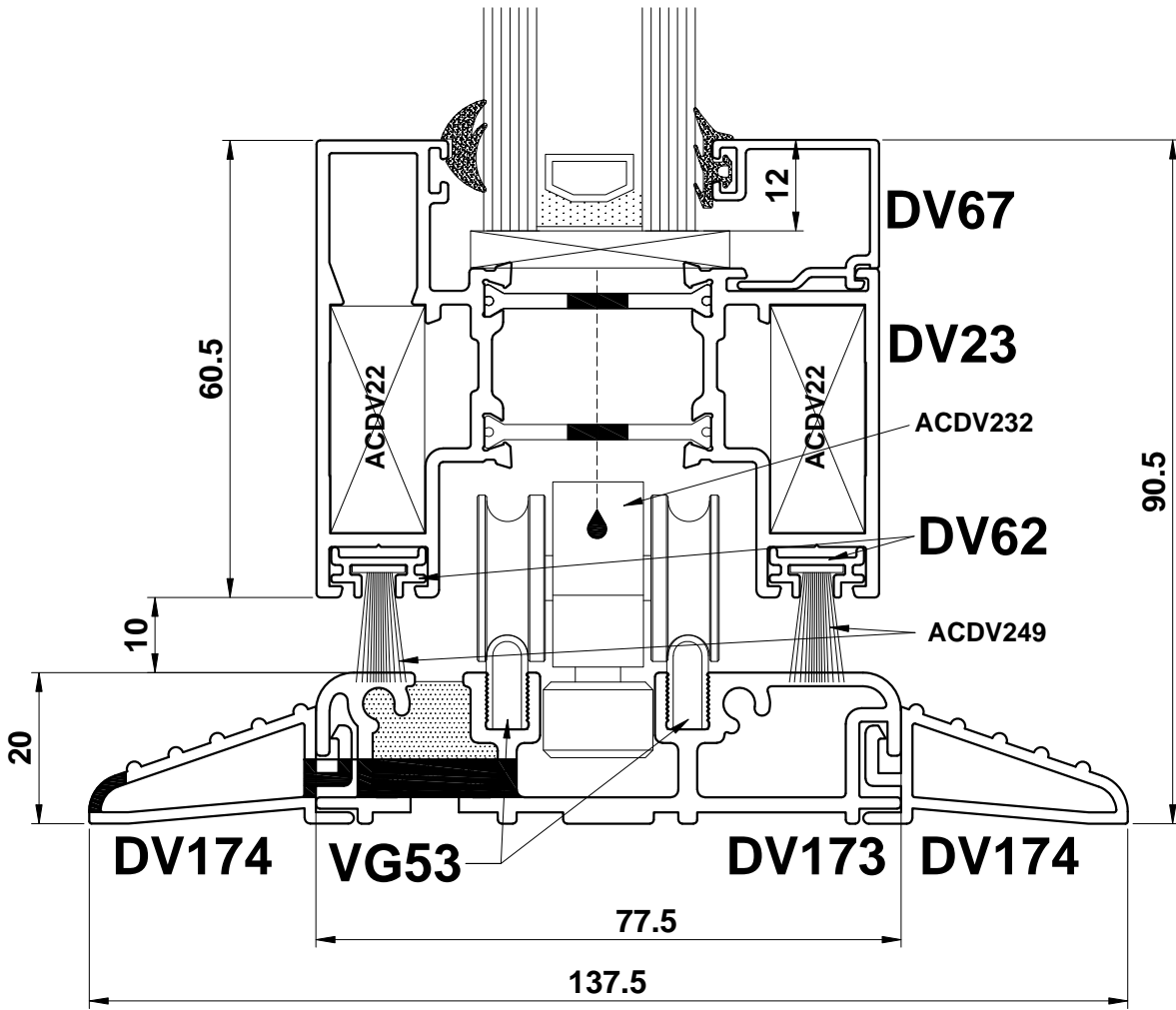
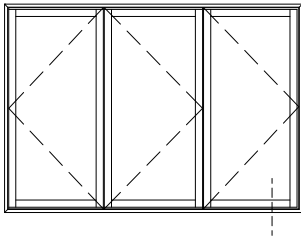
Do Not Scale From This Drawing

Open Out - Detail 5E



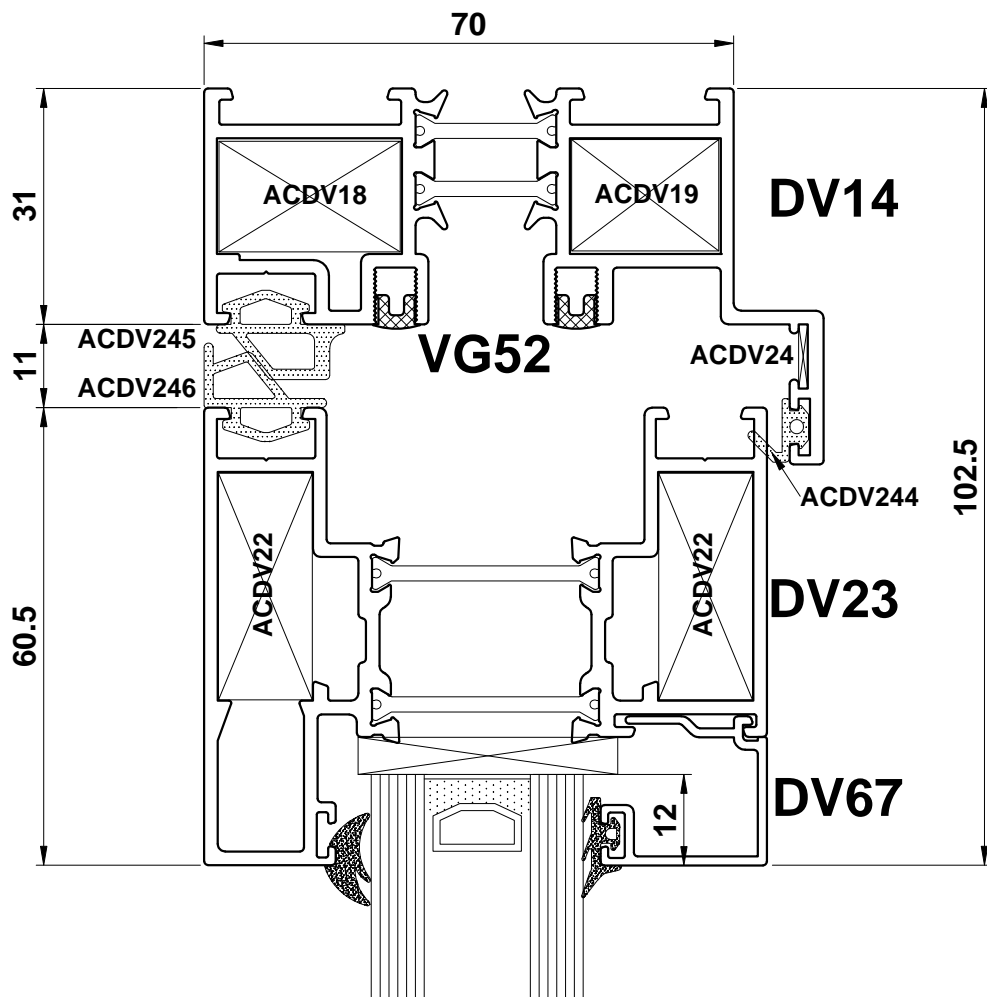
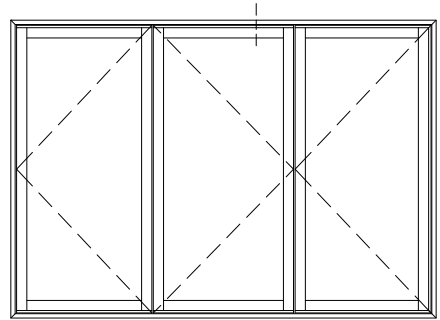
Do Not Scale From This Drawing

Open Out - Detail 5F



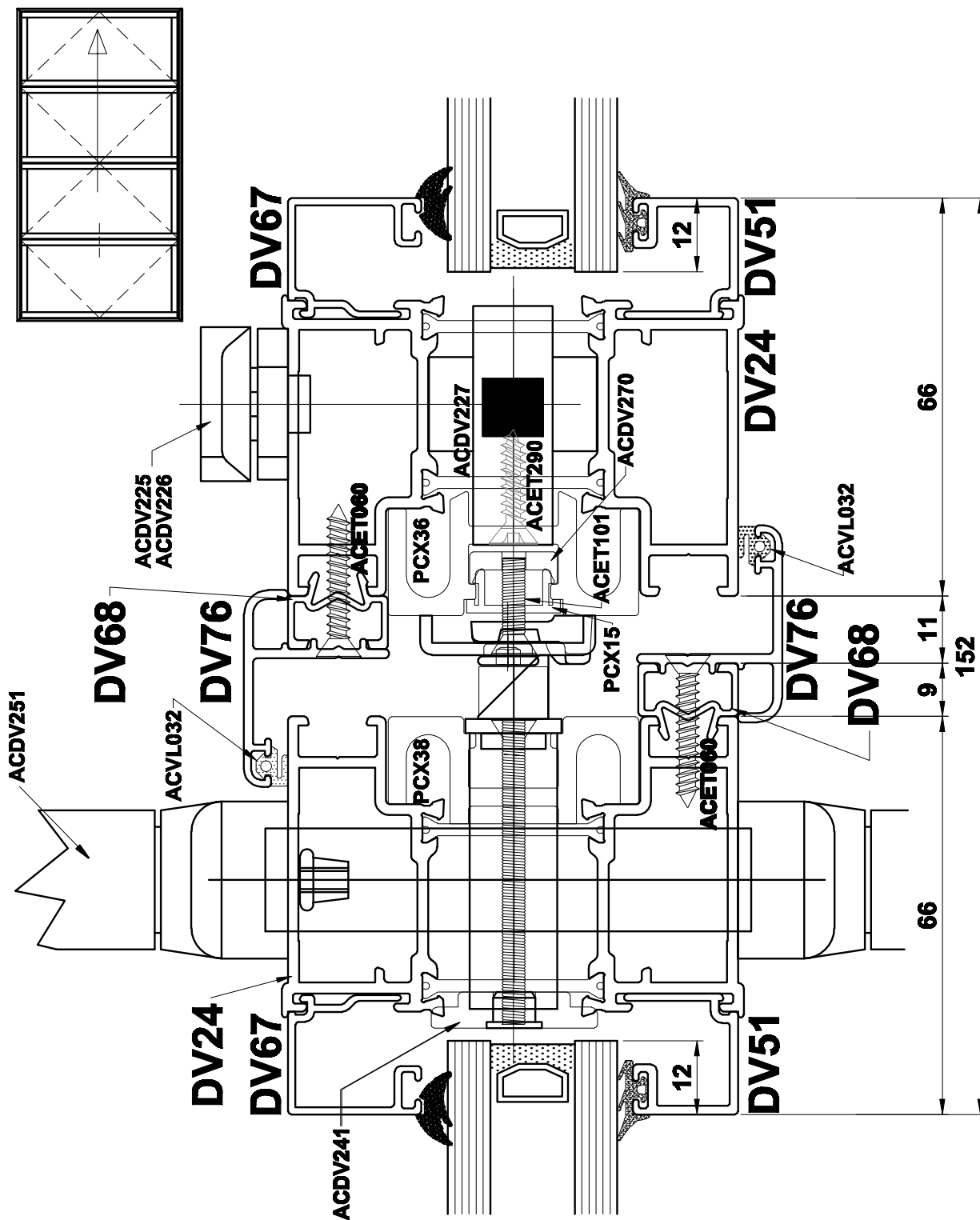
Do Not Scale From This Drawing

Open Out - Detail 6



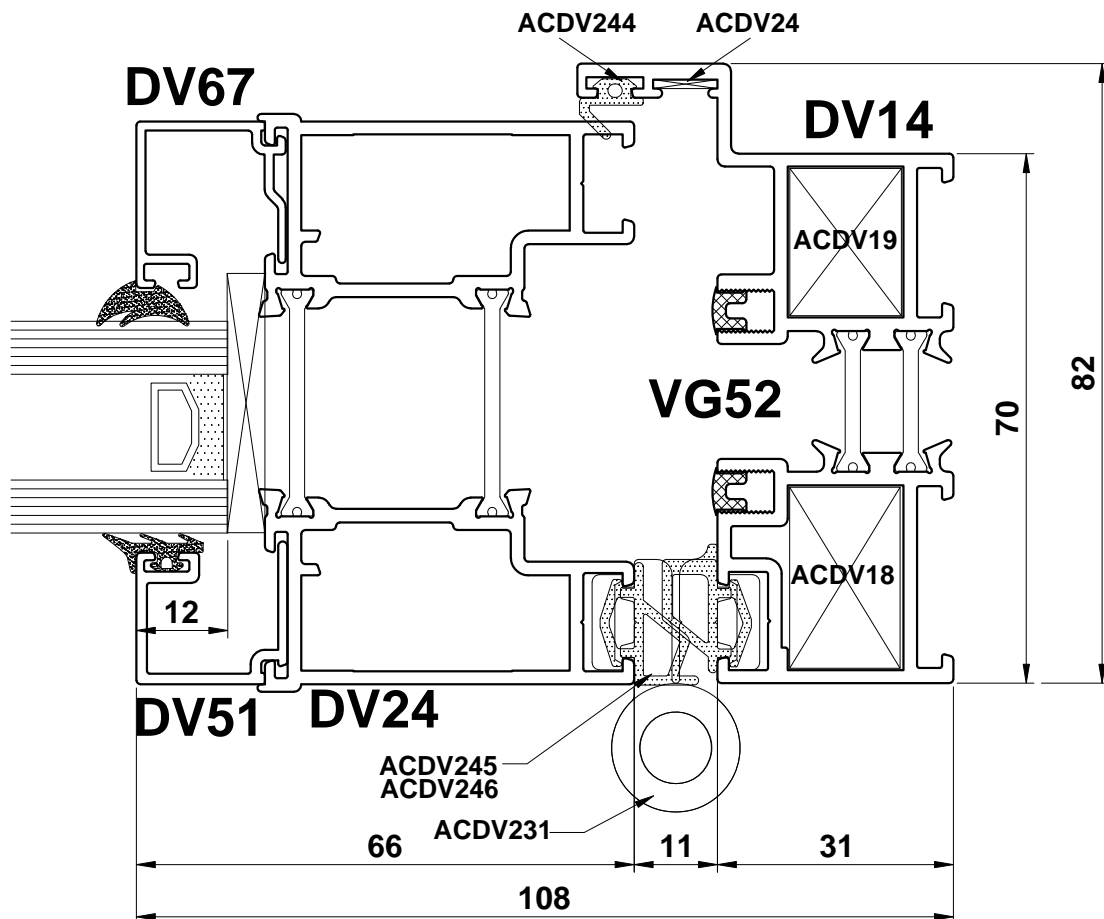
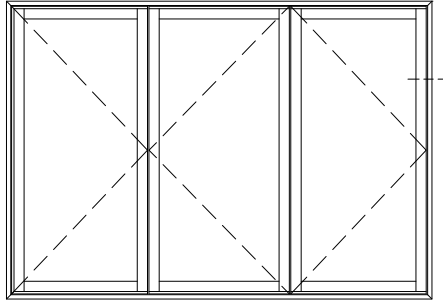
Do Not Scale From This Drawing

Open Out - Detail 7



Do Not Scale From This Drawing

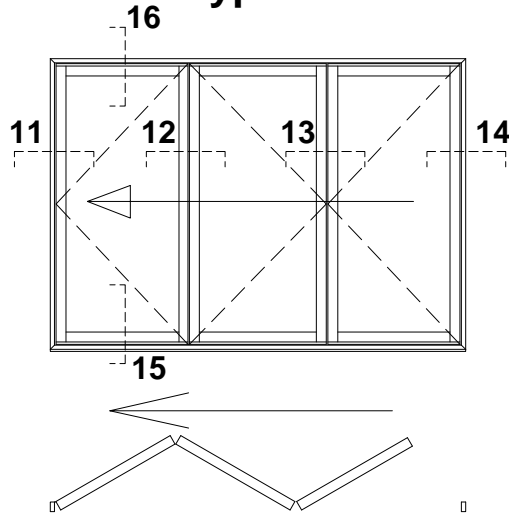
Open Out - Detail 8



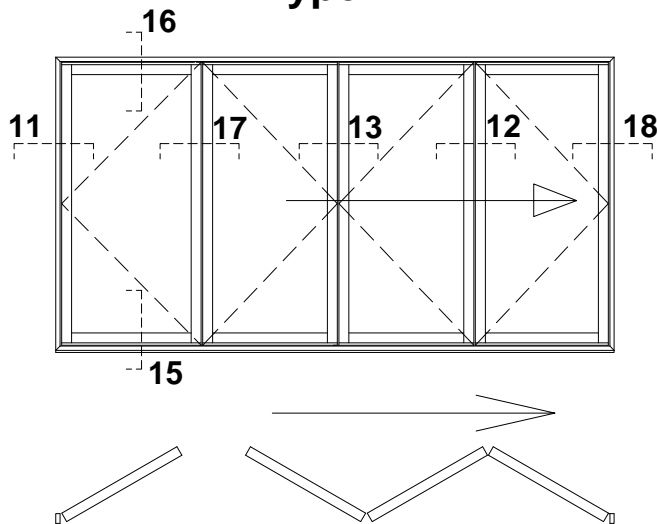
Do Not Scale From This Drawing

Open In

Type 2i



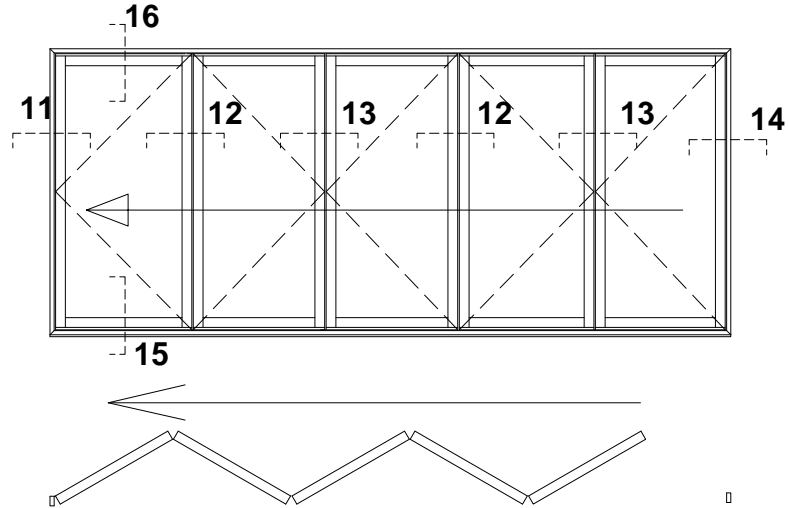
Type 4i



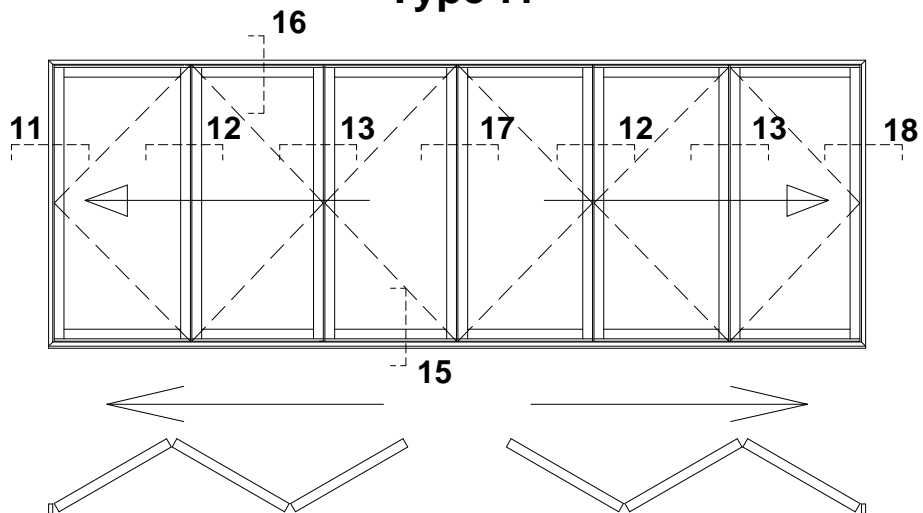
Do Not Scale From This Drawing

Open In

Type 6i



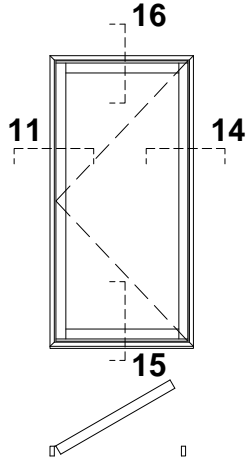
Type 7i



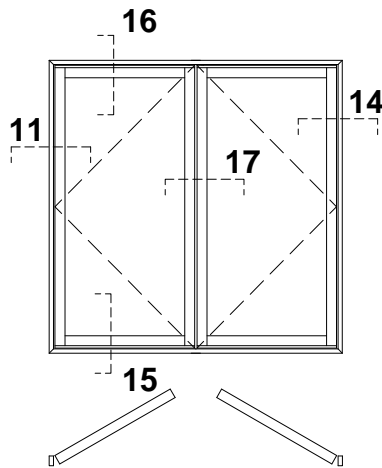
Do Not Scale From This Drawing

Open In

Single Door

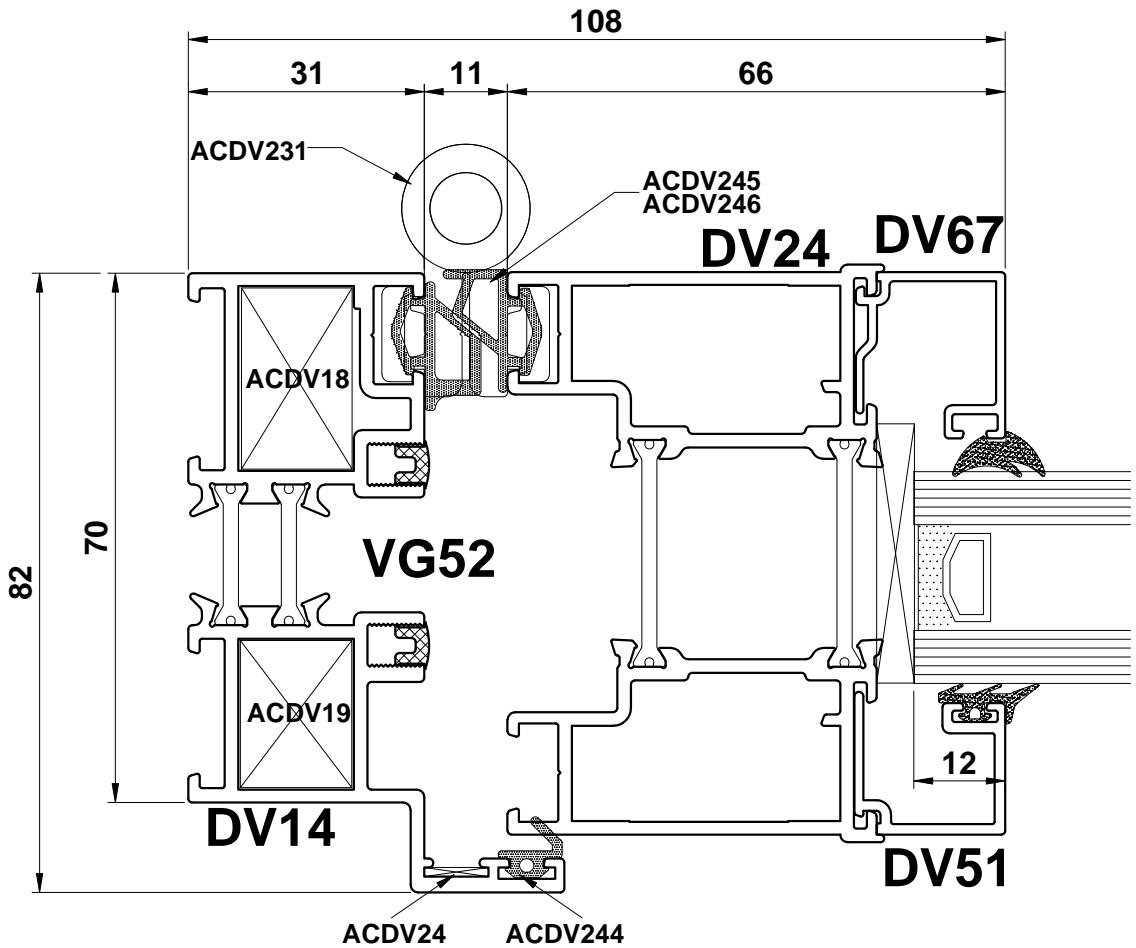
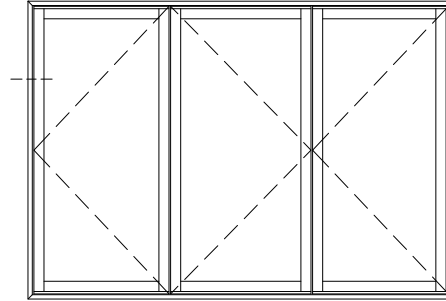


Double Door



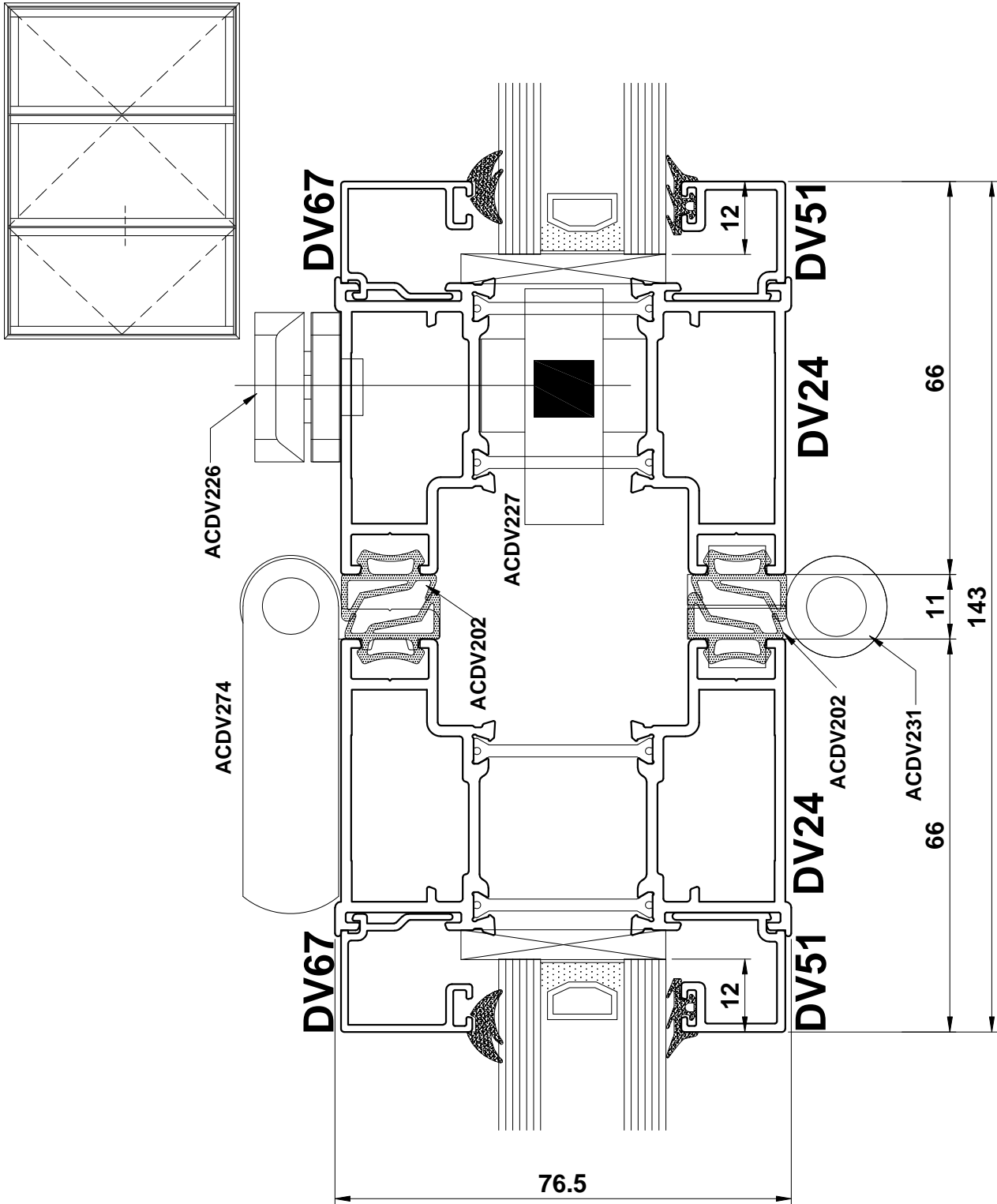
Do Not Scale From This Drawing

Open In - Detail 11



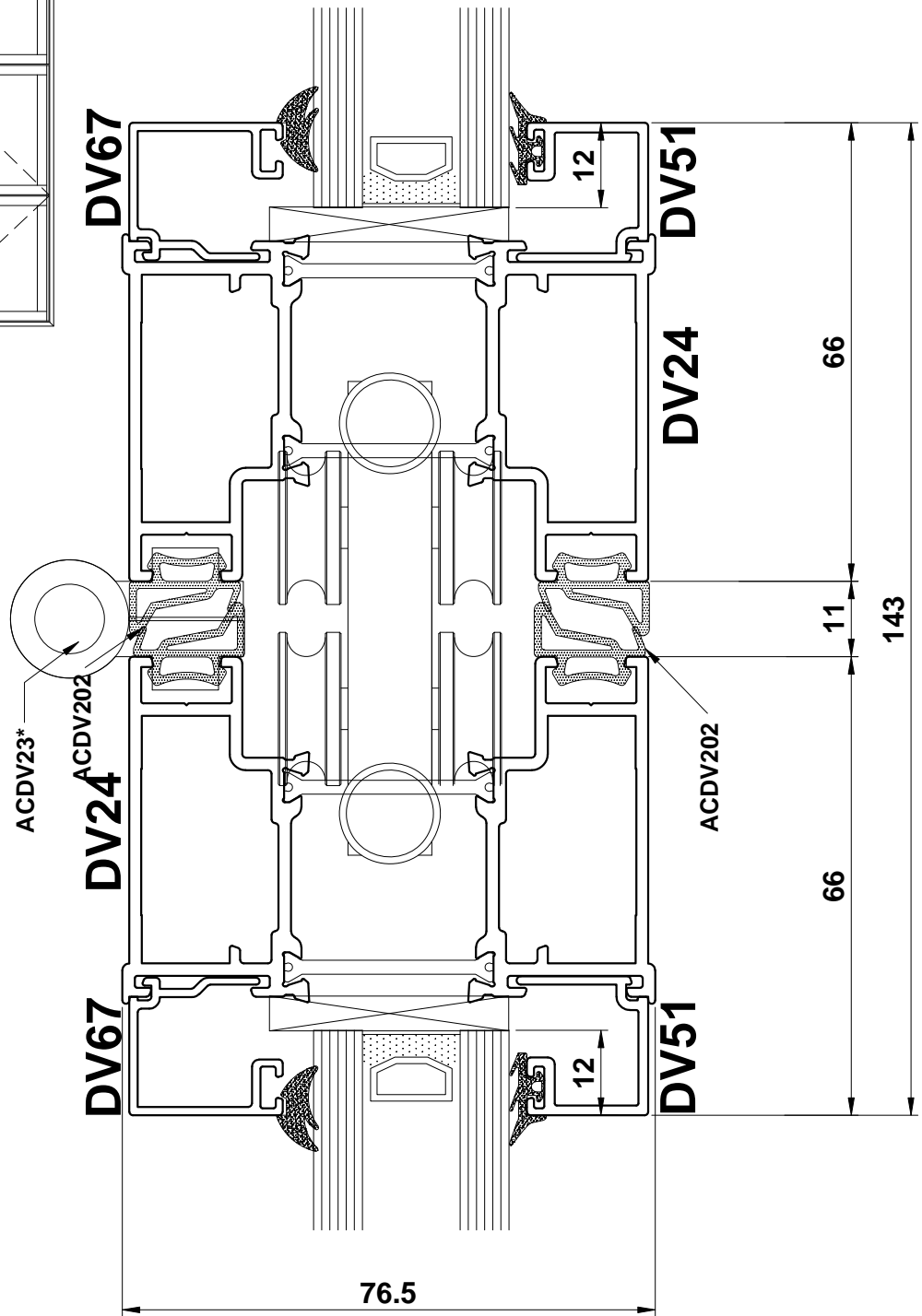
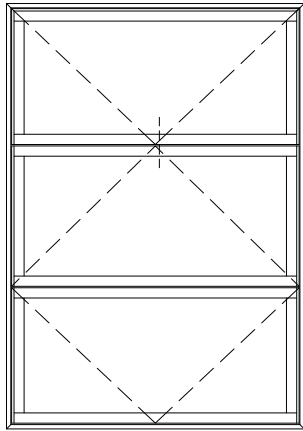
Do Not Scale From This Drawing

Open In - Detail 12



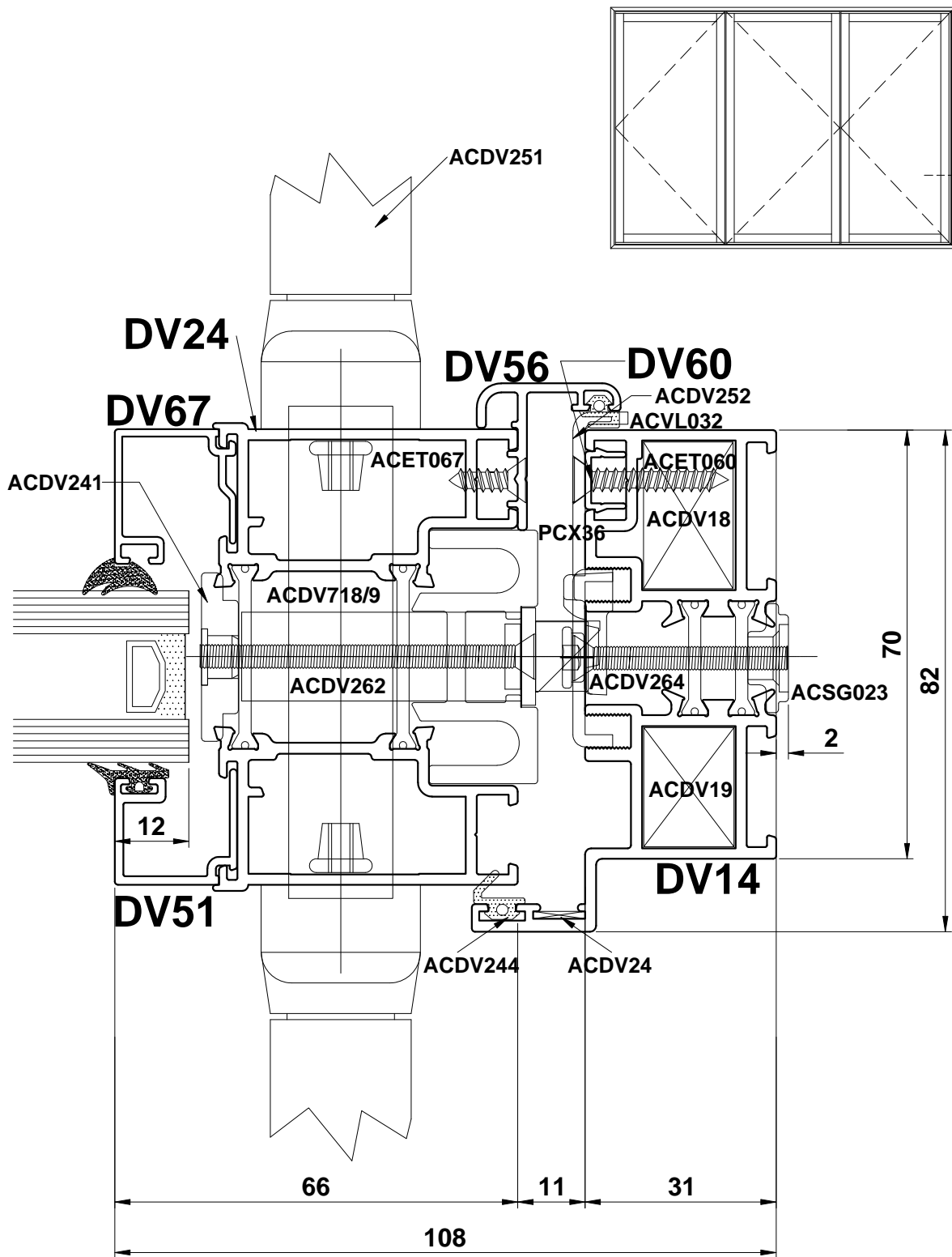
Do Not Scale From This Drawing

Open In - Detail 13



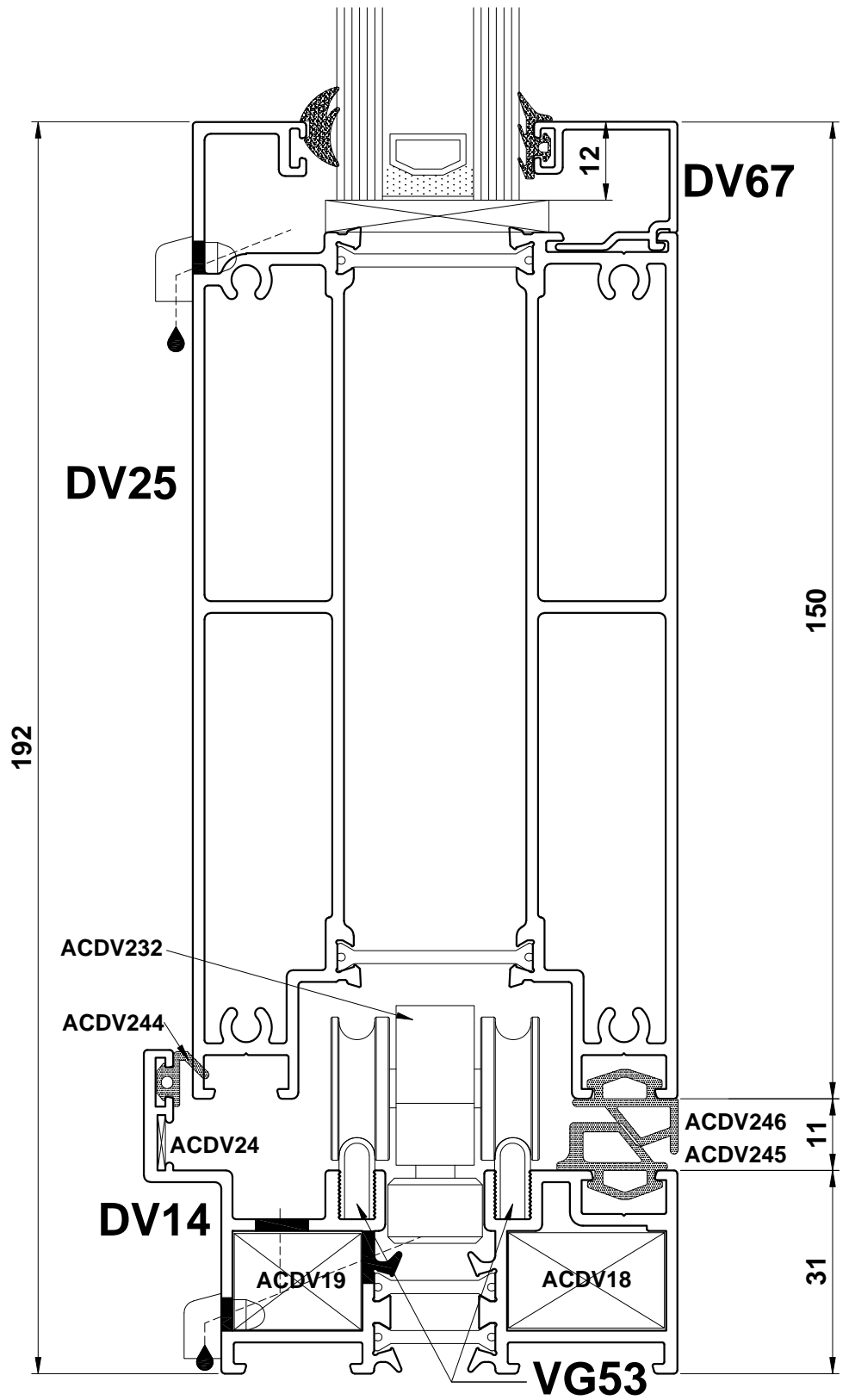
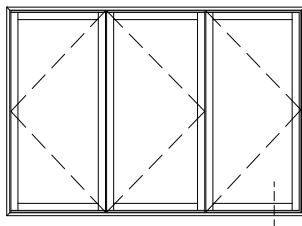
Do Not Scale From This Drawing

Open In - Detail 14



Do Not Scale From This Drawing

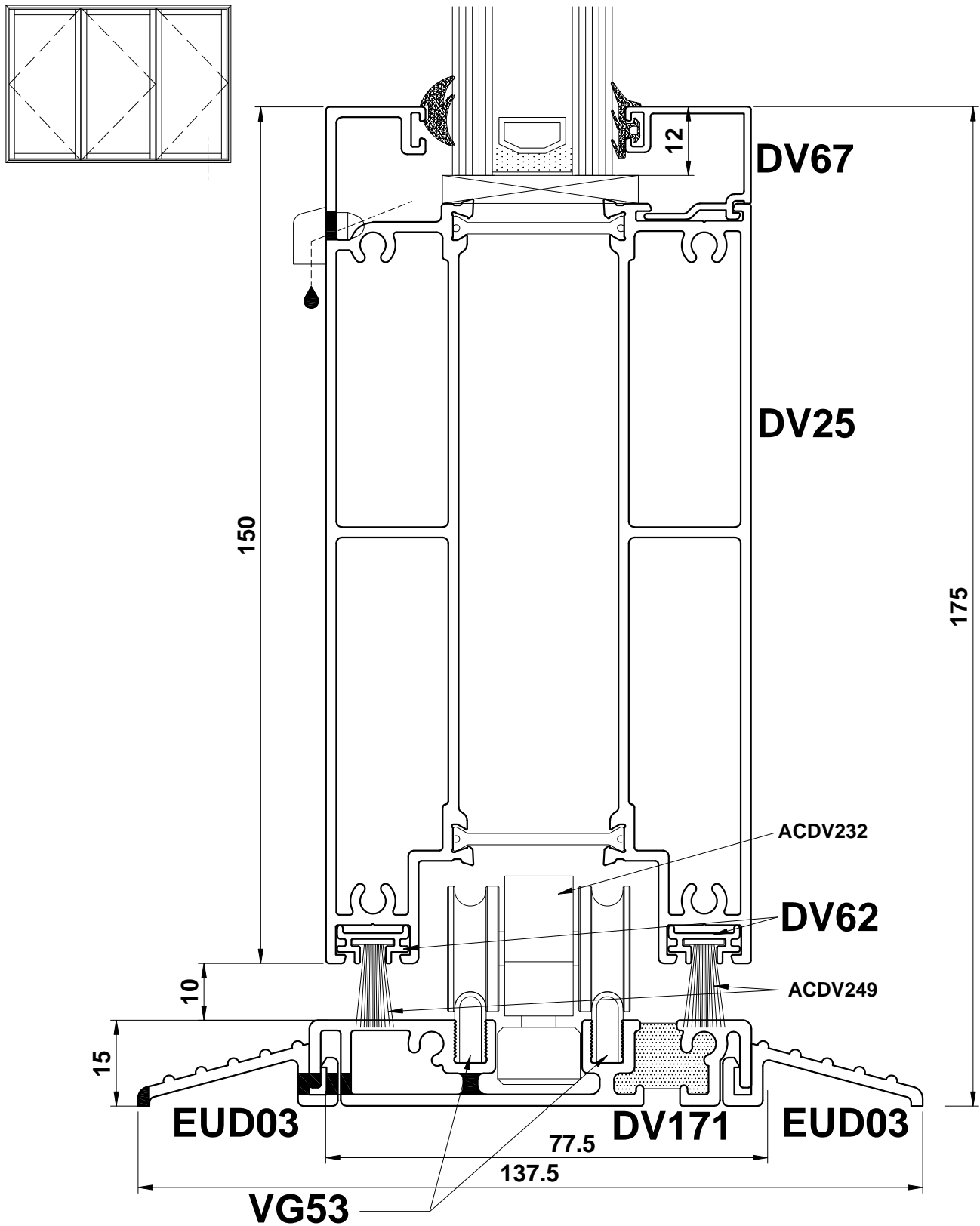
Open In - Detail 15A



ACET131

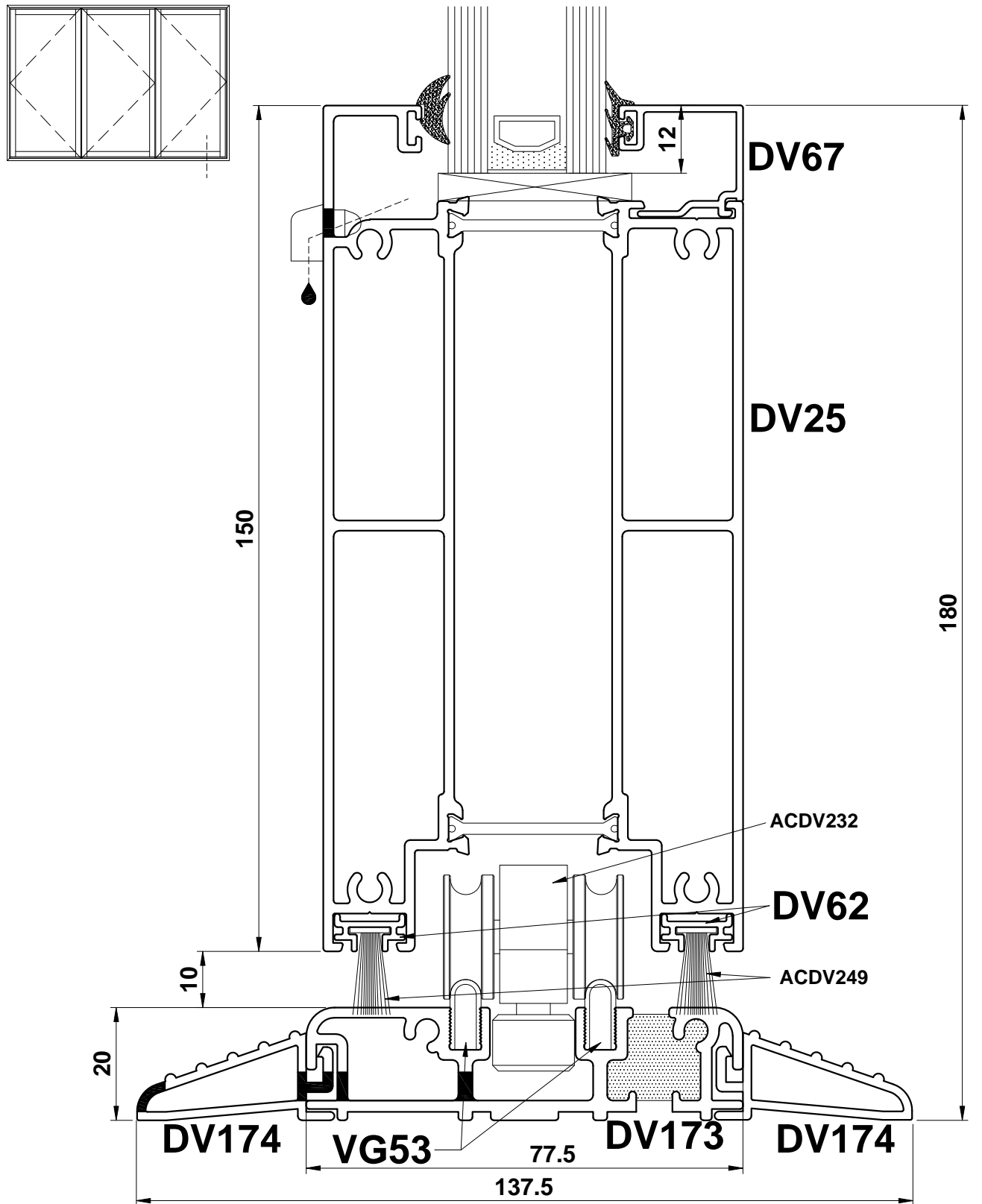
Do Not Scale From This Drawing

Open In - Detail 15B



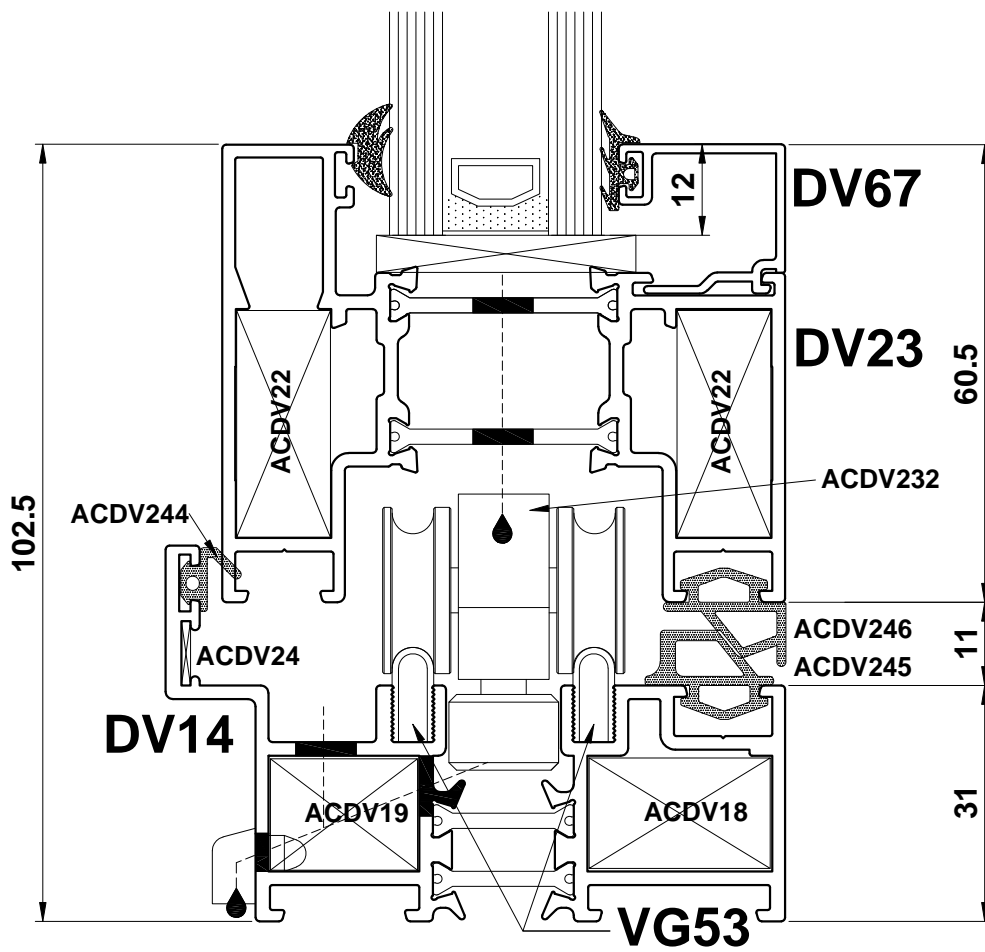
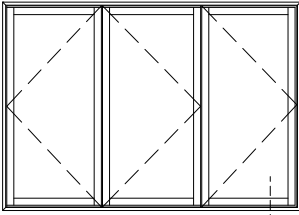
Do Not Scale From This Drawing

Open In - Detail 15C



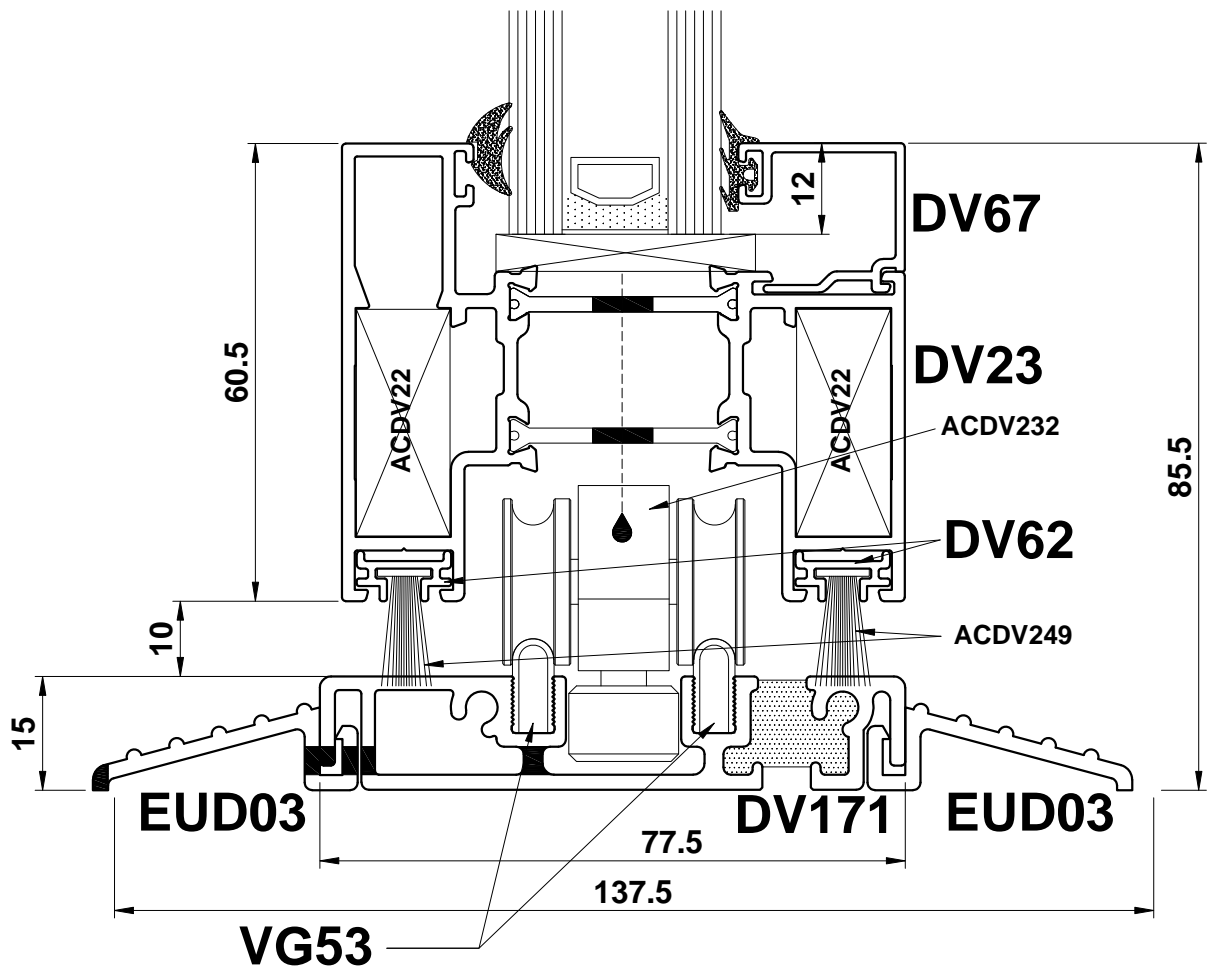
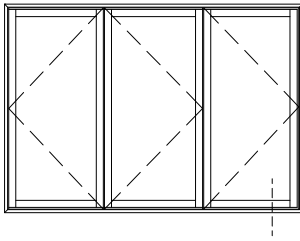
Do Not Scale From This Drawing

Open In - Detail 15D



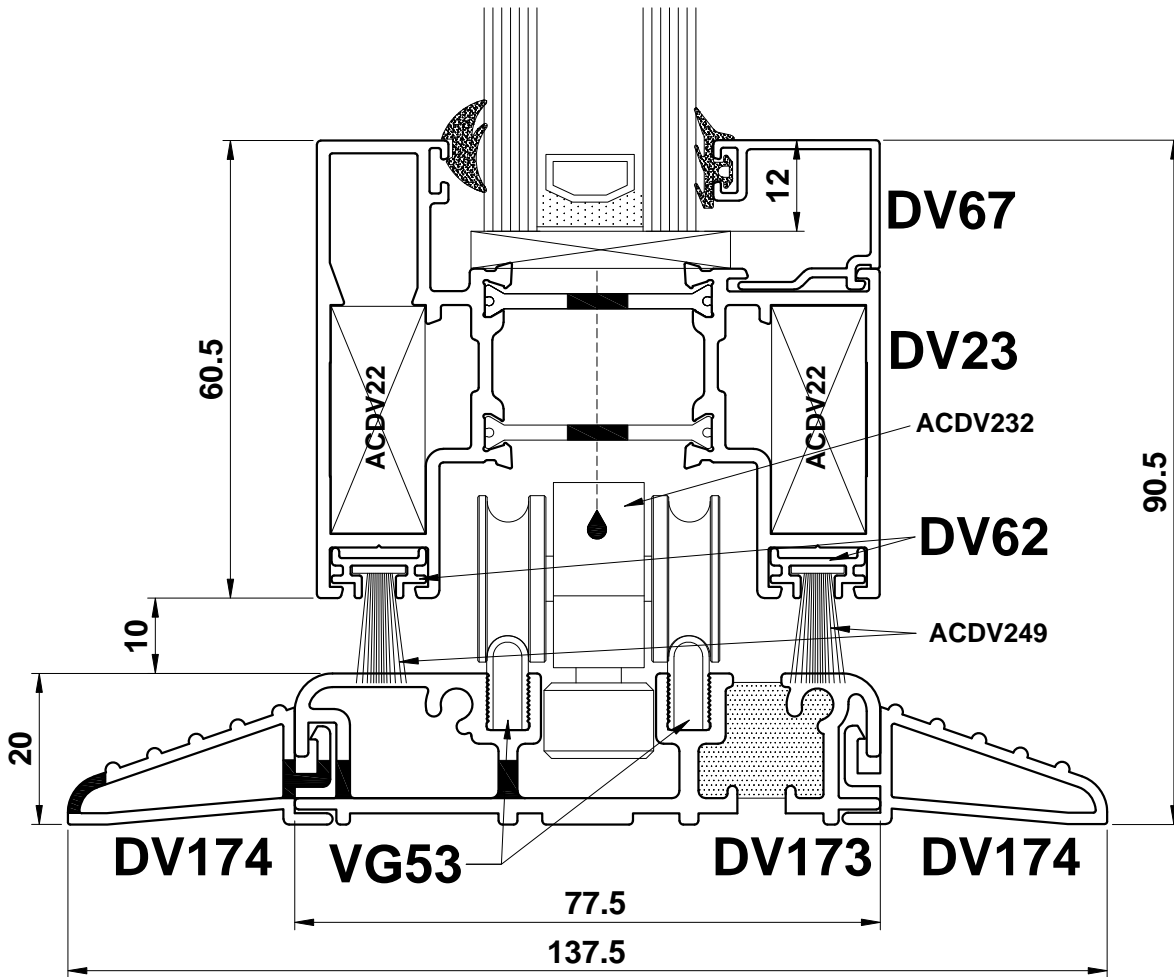
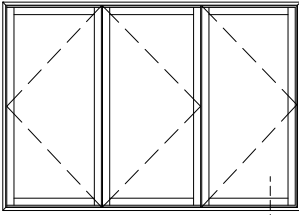
Do Not Scale From This Drawing

Open In - Detail 15E



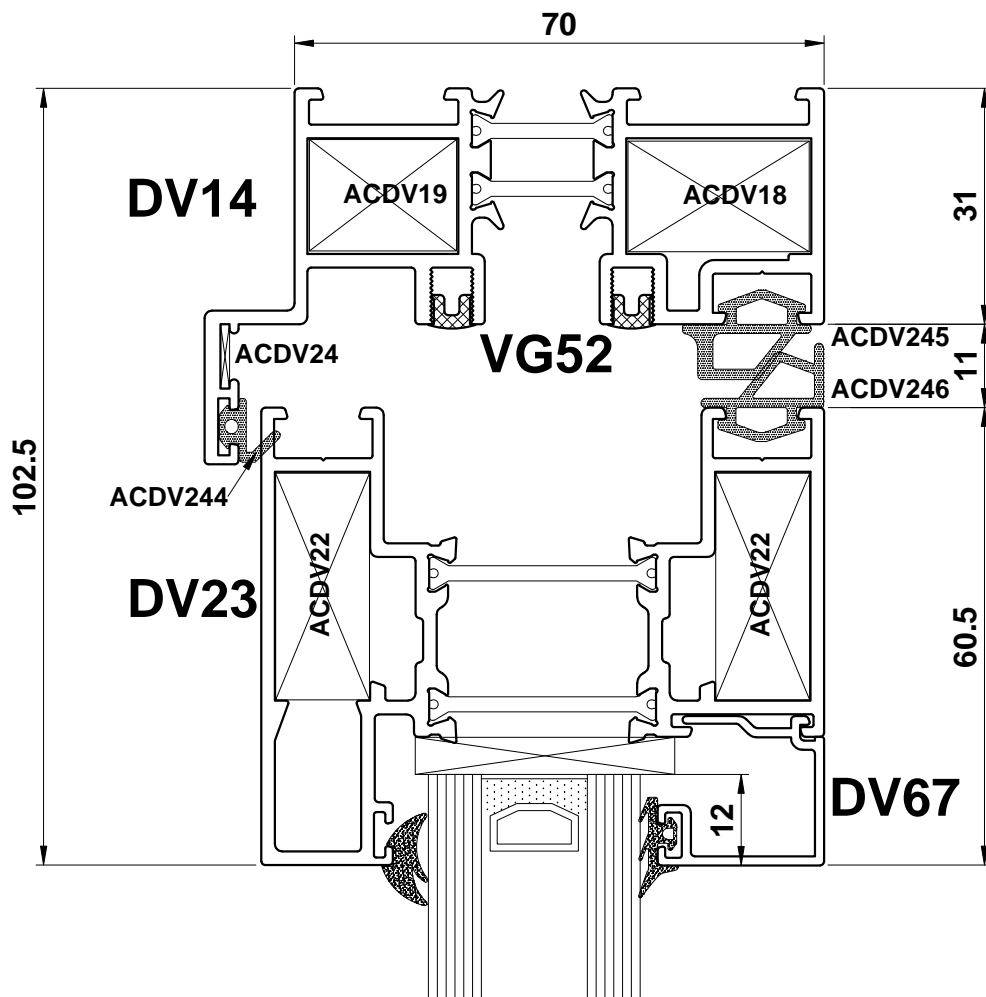
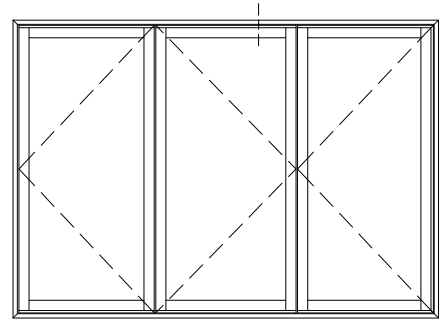
Do Not Scale From This Drawing

Open In - Detail 15F



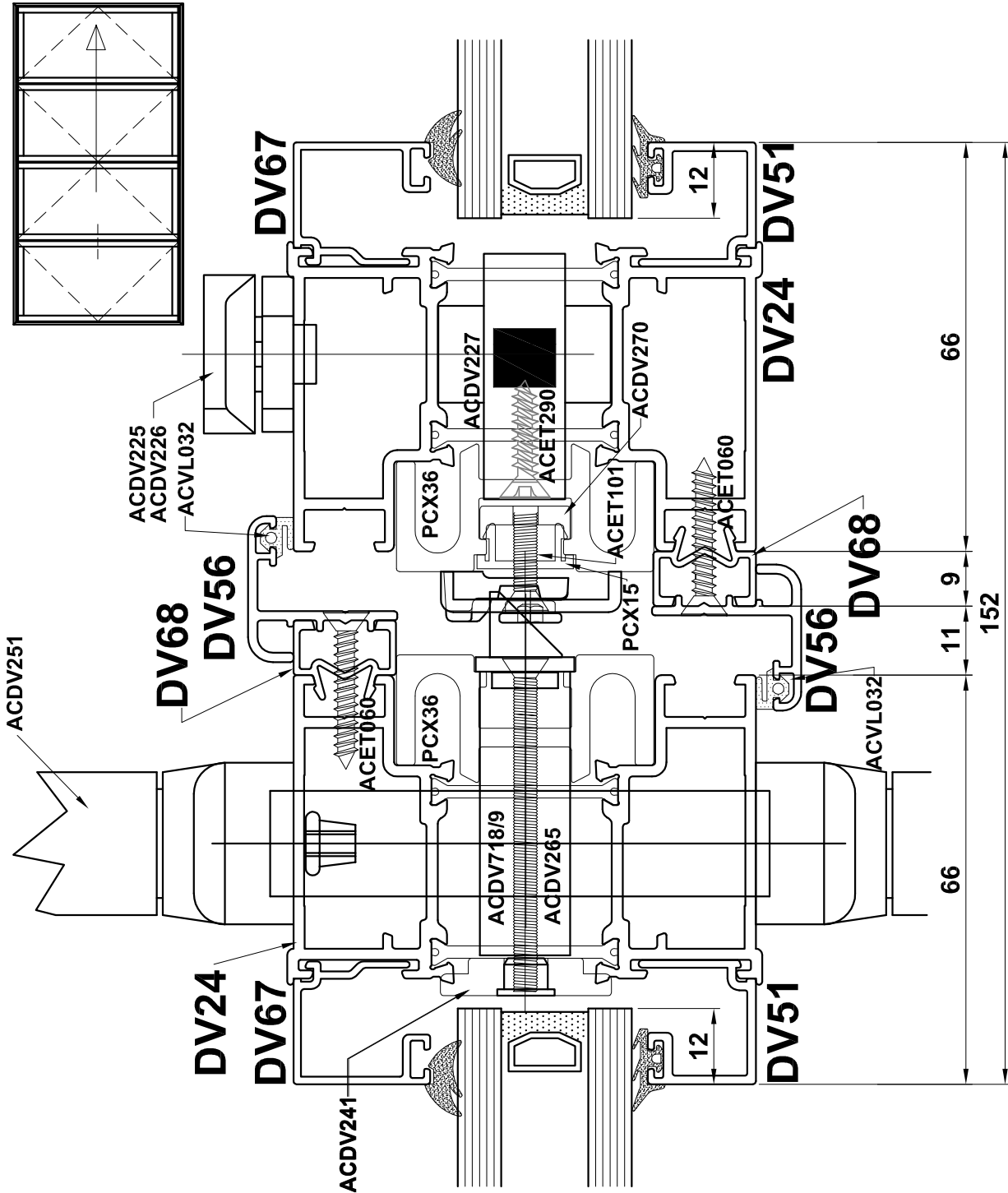
Do Not Scale From This Drawing

Open In - Detail 16



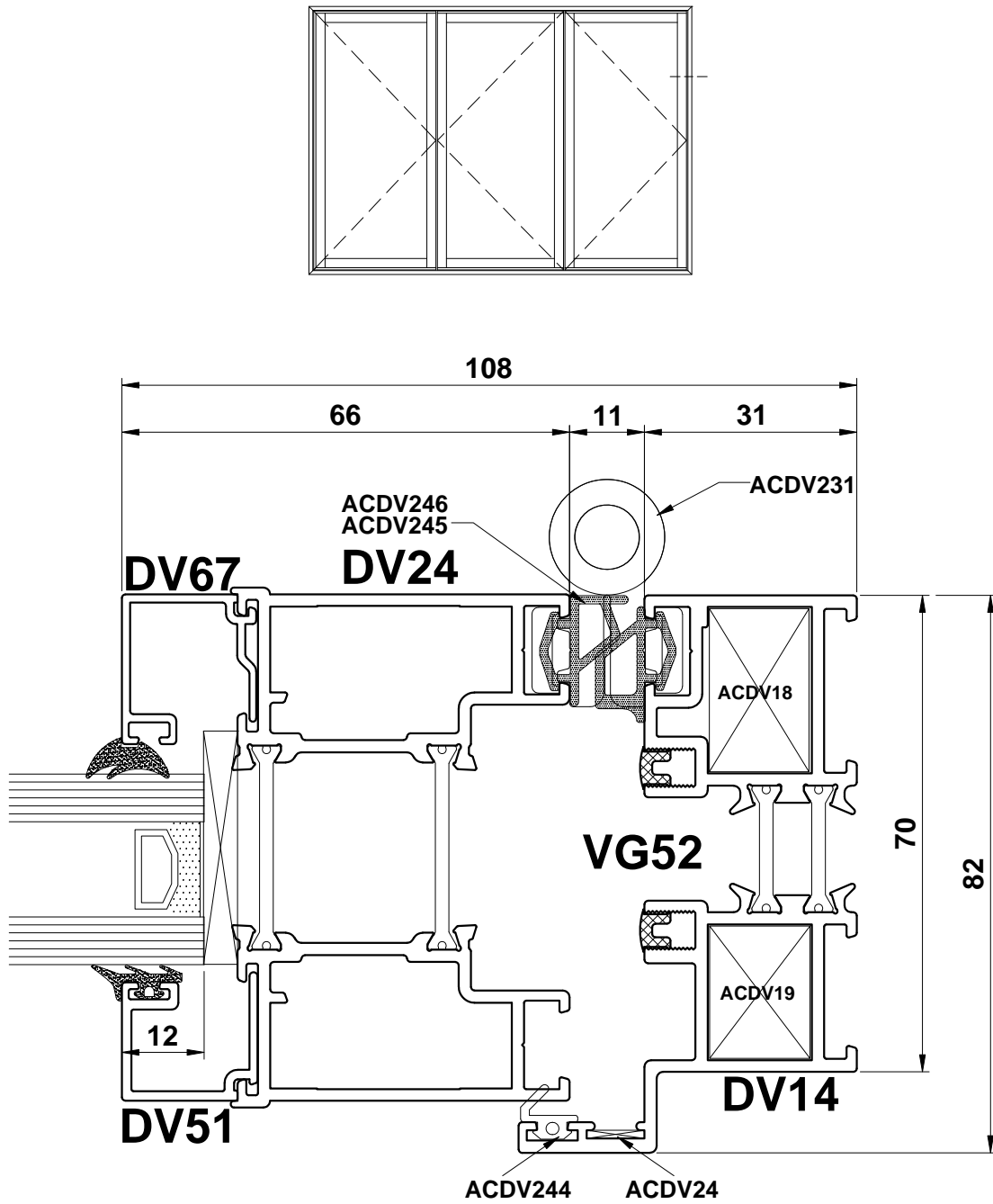
Do Not Scale From This Drawing

Open In - Detail 17



Do Not Scale From This Drawing

Open In - Detail 18

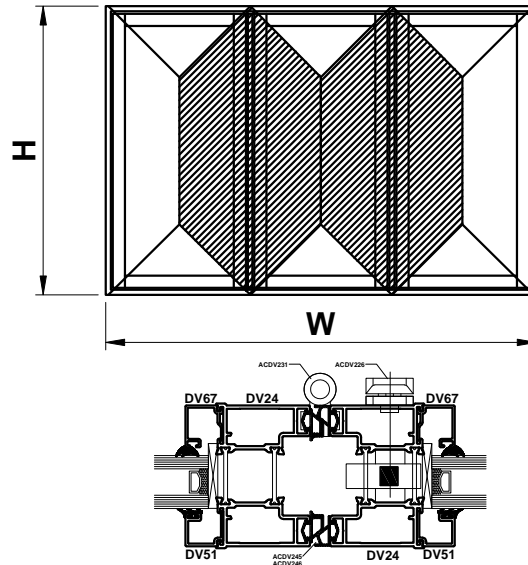


Do Not Scale From This Drawing

Do Not Scale From This Drawing

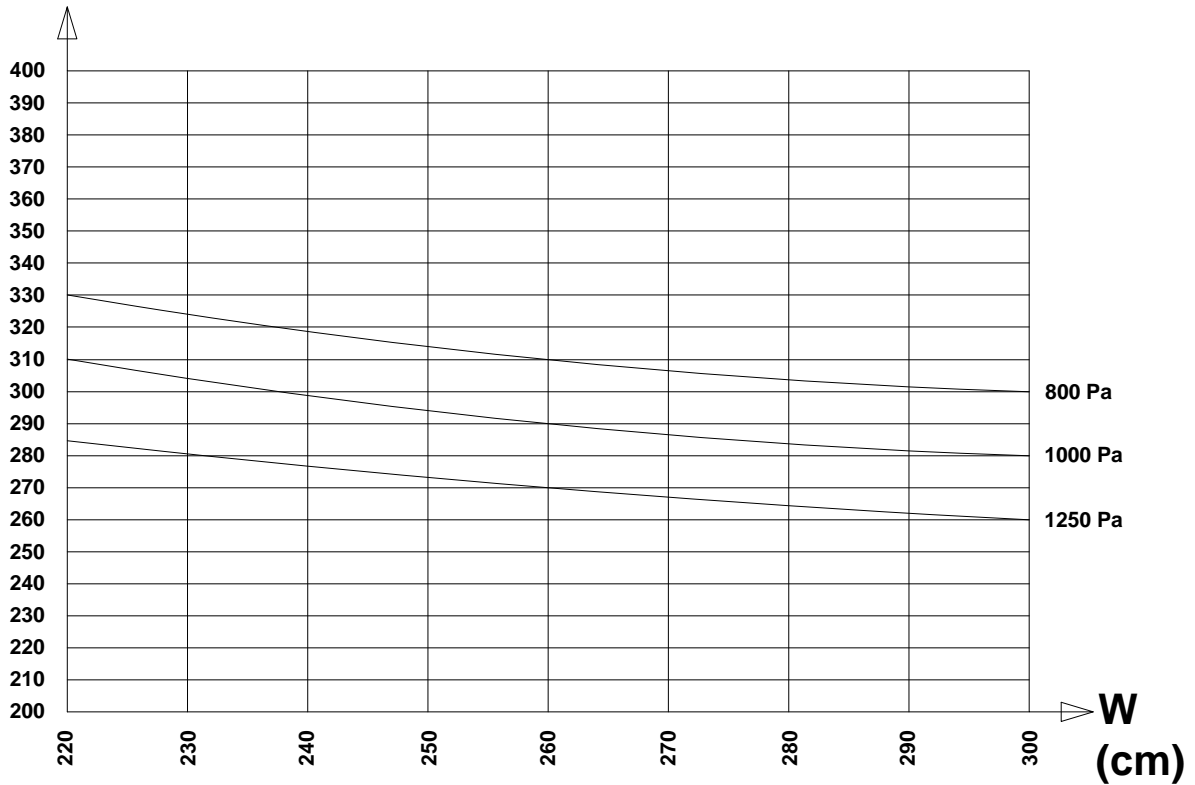
Section D

Doors-Open In & Out



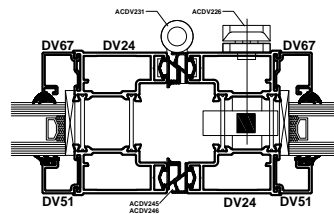
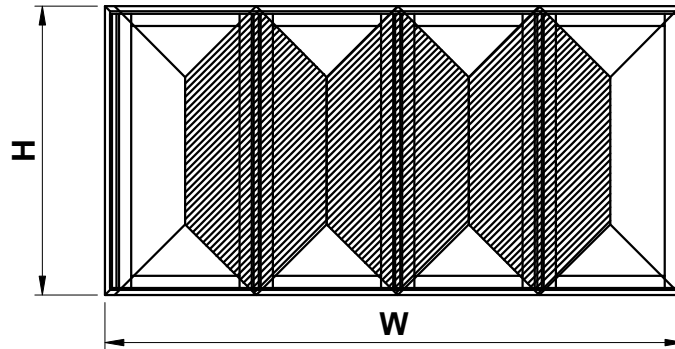
$ixx = 82\text{cm}^4$
 $f_{max} = B/200 < 15\text{mm}$
 max sash weight = 80kg
 max sash width = 1000mm
 max sash height = 2500mm

H (cm)



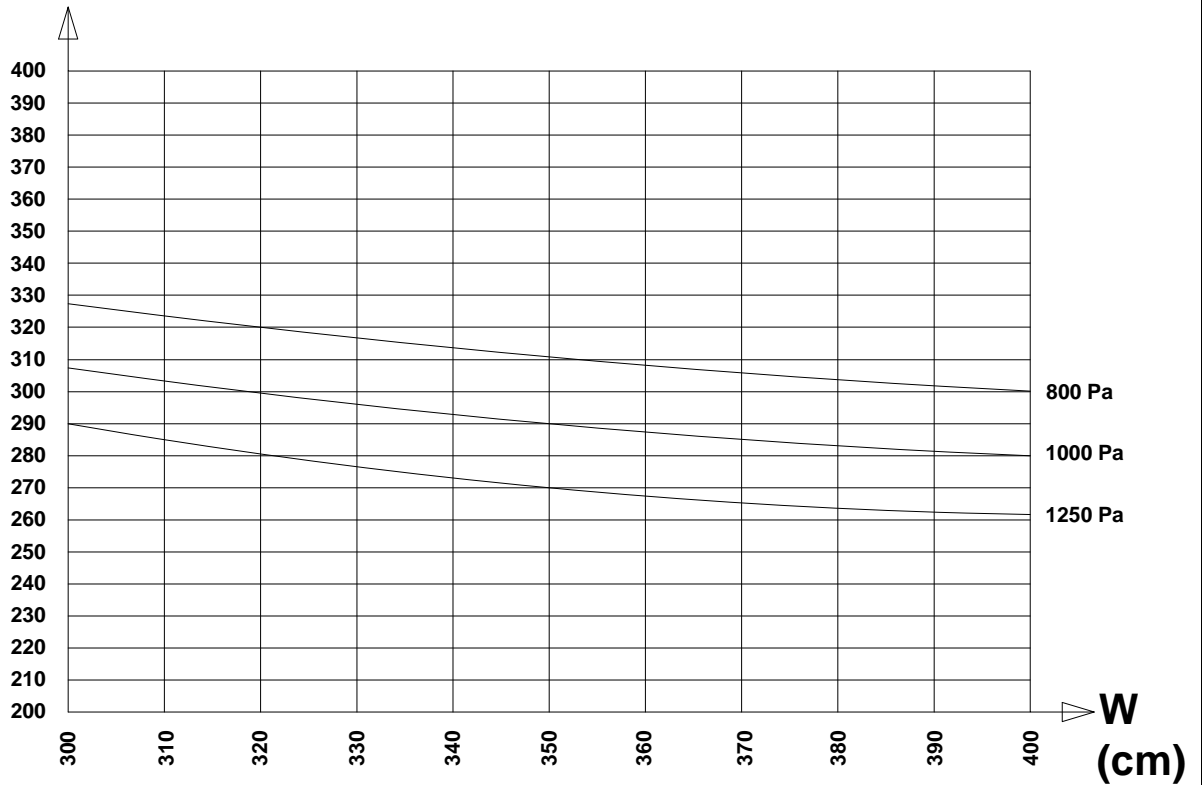
Do Not Scale From This Drawing

Doors-Open In & Out



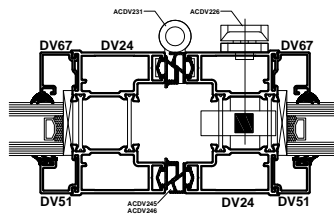
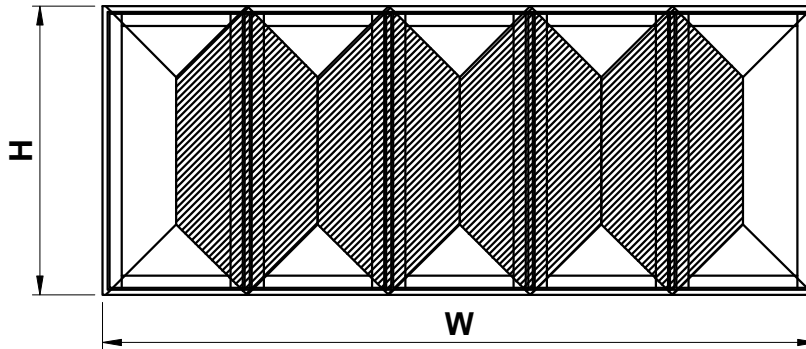
$ixx = 82\text{cm}^4$
 $f_{max} = B/200 < 15\text{mm}$
 max sash weight = 80kg
 max sash width = 1000mm
 max sash height = 2500mm

H (cm)



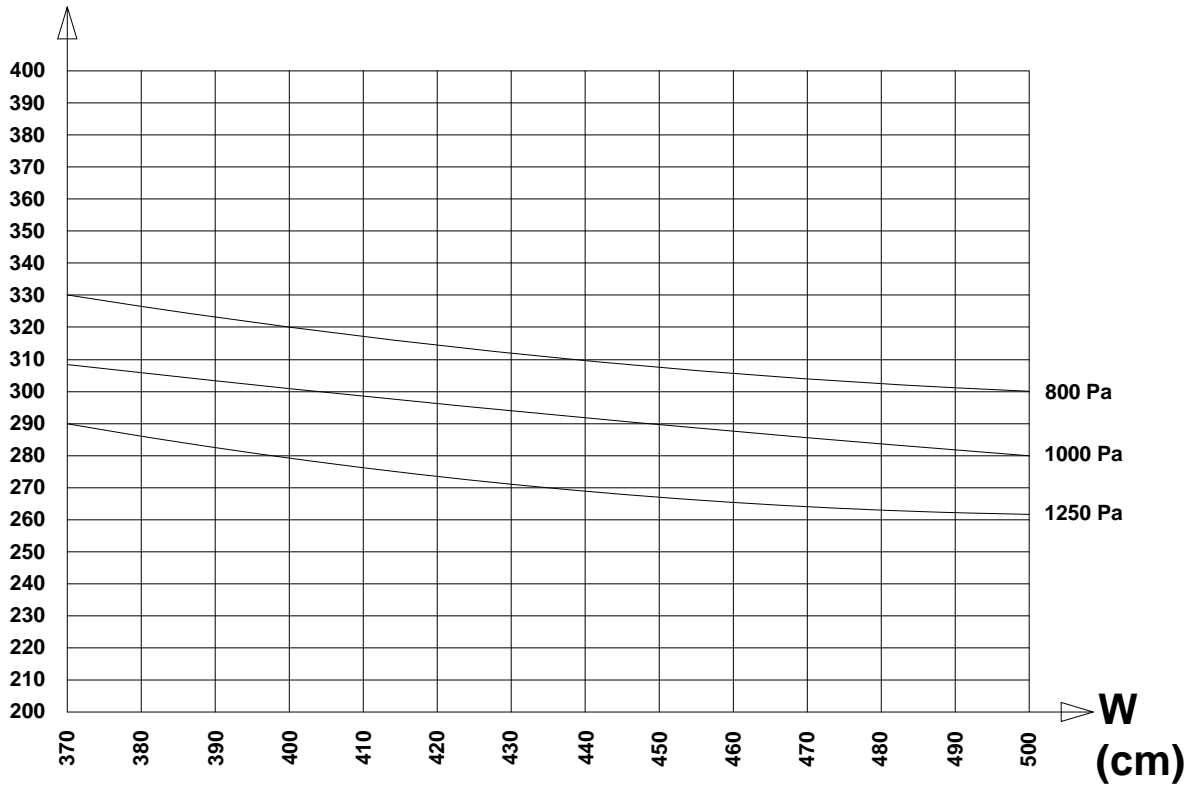
Do Not Scale From This Drawing

Doors-Open In & Out



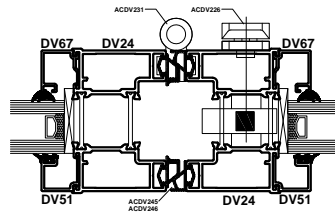
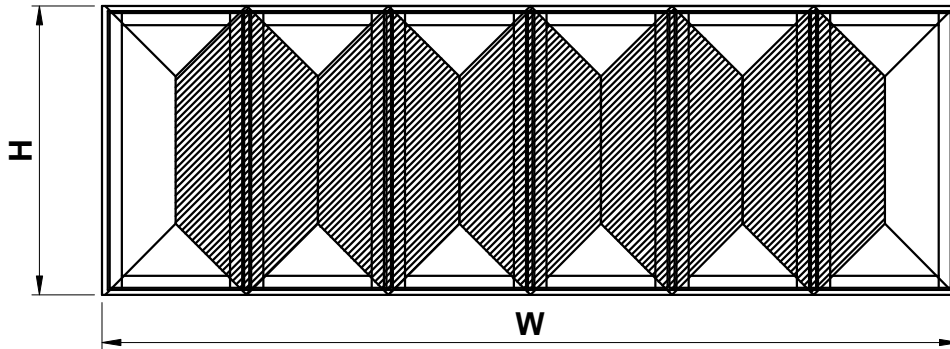
$ixx = 82\text{cm}^4$
 $f_{max} = B/200 < 15\text{mm}$
 max sash weight = 80kg
 max sash width = 1000mm
 max sash height = 2500mm

H (cm)



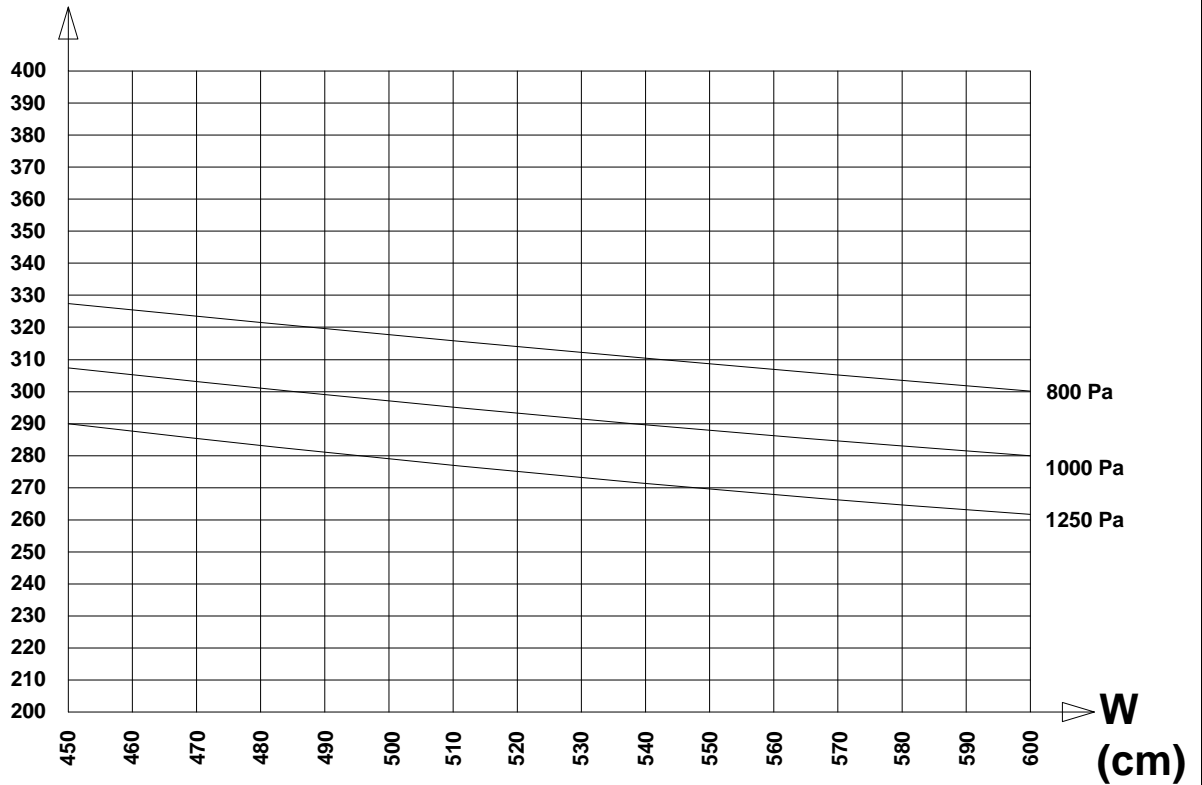
Do Not Scale From This Drawing

Doors-Open In & Out

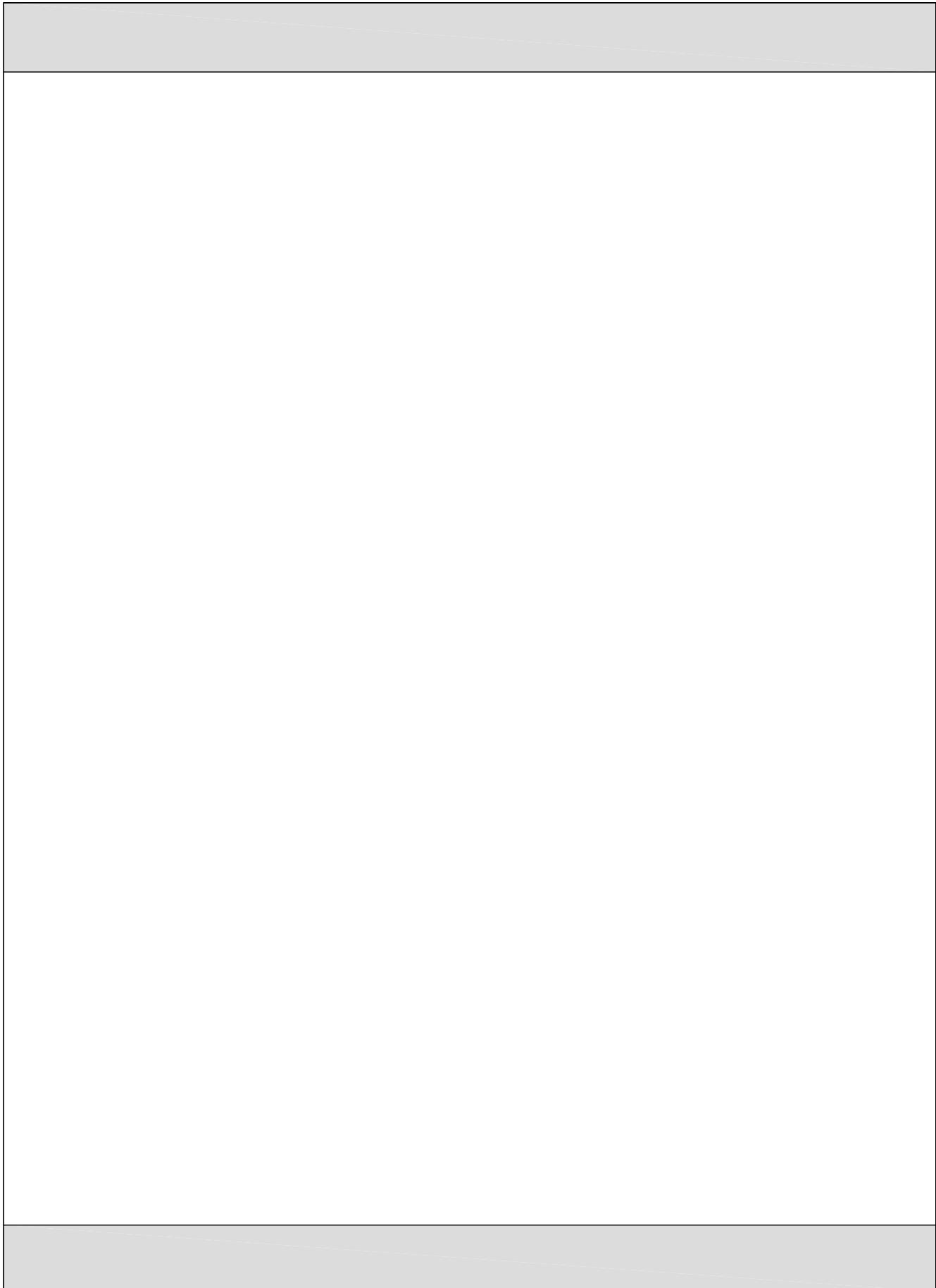


$ixx = 82\text{cm}^4$
 $f_{max} = B/200 < 15\text{mm}$
 max sash weight = 80kg
 max sash width = 1000mm
 max sash height = 2500mm

H (cm)



Do Not Scale From This Drawing



Section E

Page E02-E23 - Open Out
Page E24-E44 - Open In

Section E

**Visofold 2000
Open Out
Construction Drawings**

Index

E DV

Construction Drawings

E 1

1 - Corner Jointing Page E04

E 2

2 - Drainage..... Page E08

E 3

3 - Mullion Preparation..... Page E10

E 4

4 - Locking Hardware Page E11

E 5

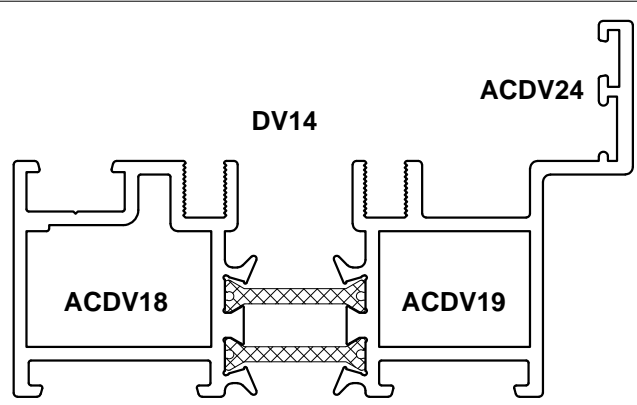
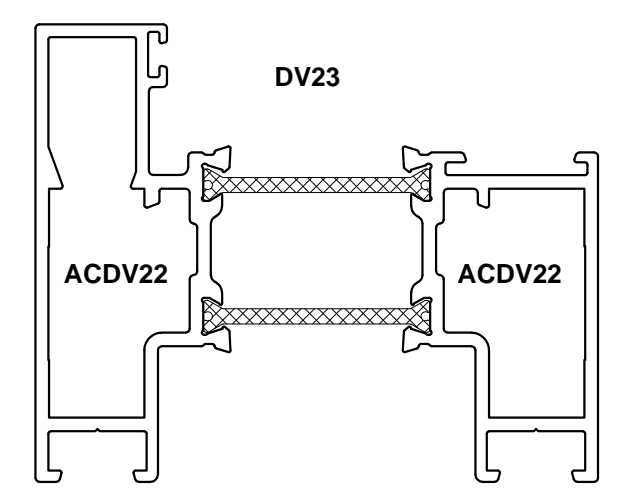
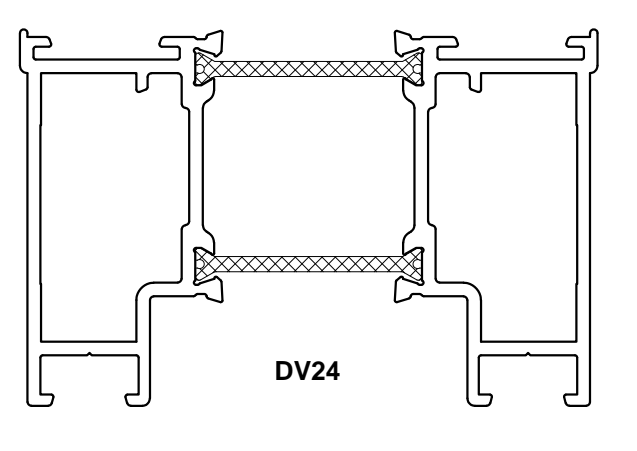
5 - Hinges Page E18

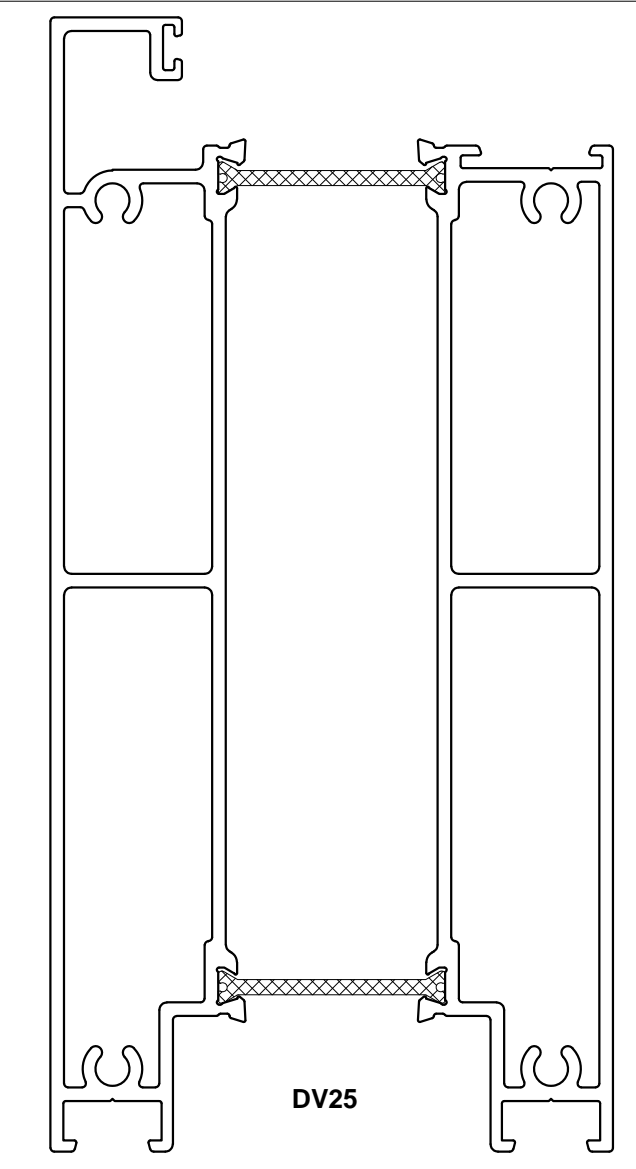
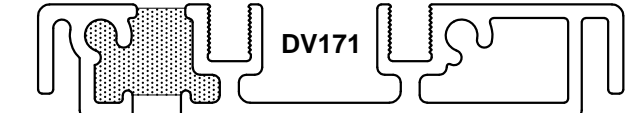
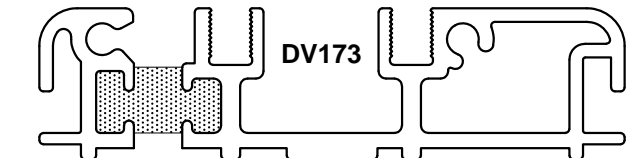
E 6

6 - Beading & Glazing Page E21

IF IN DOUBT ASK!

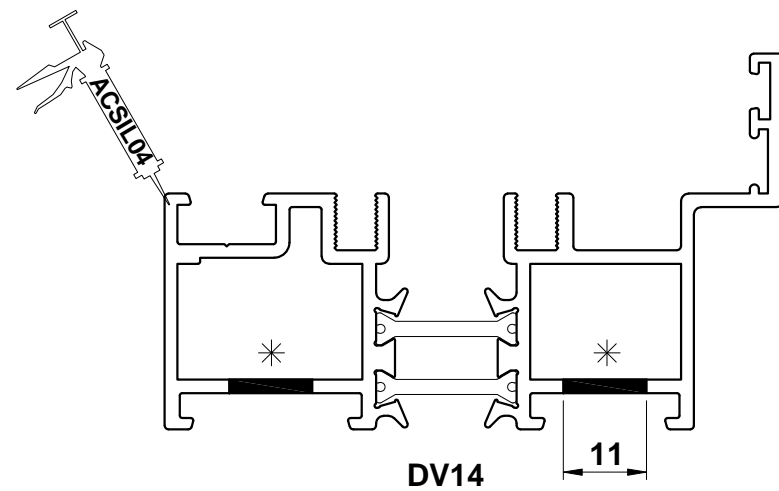
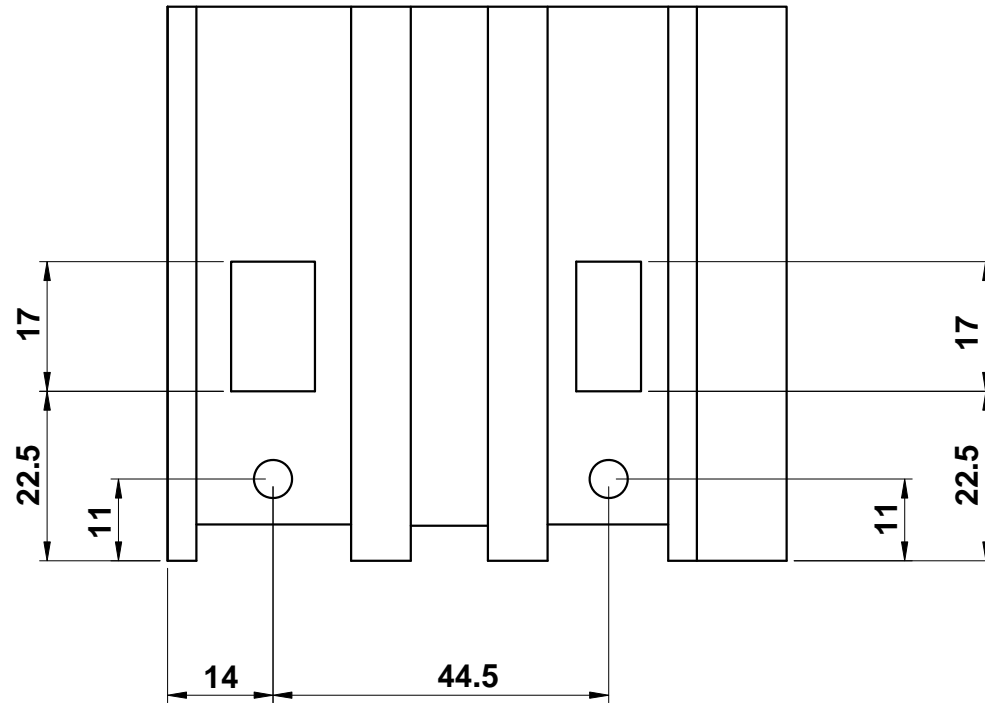
Open Out - Door Profiles

Profiles	Tooling / Components
 <p>ACDV18 DV14 ACDV19 ACDV24</p>	<p>Corner Chevron - ACDV24 Mechanical cleat - ACDV18 Mechanical cleat - ACDV19 Tooling - ACDV900</p>
 <p>ACDV22 DV23 ACDV22</p>	<p>Mechanical cleat - ACDV22</p>
 <p>DV24</p>	

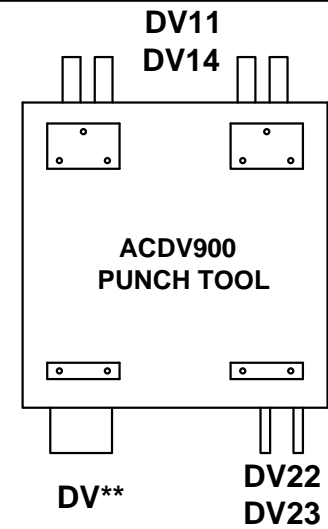
Profiles	Tooling / Components
 <p>DV25</p>	
 <p>DV171</p>	
 <p>DV173</p>	

Do Not Scale From This Drawing

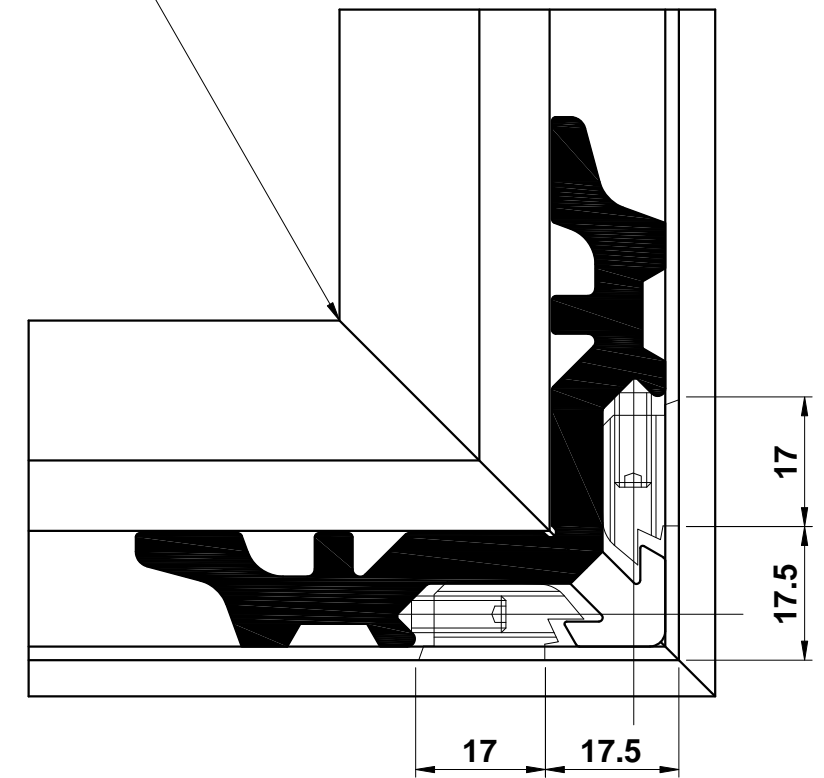
Open Out - DV14 Corner Cleat Preparation



CORNER CLEAT-ACDV18
CORNER CLEAT-ACDV19



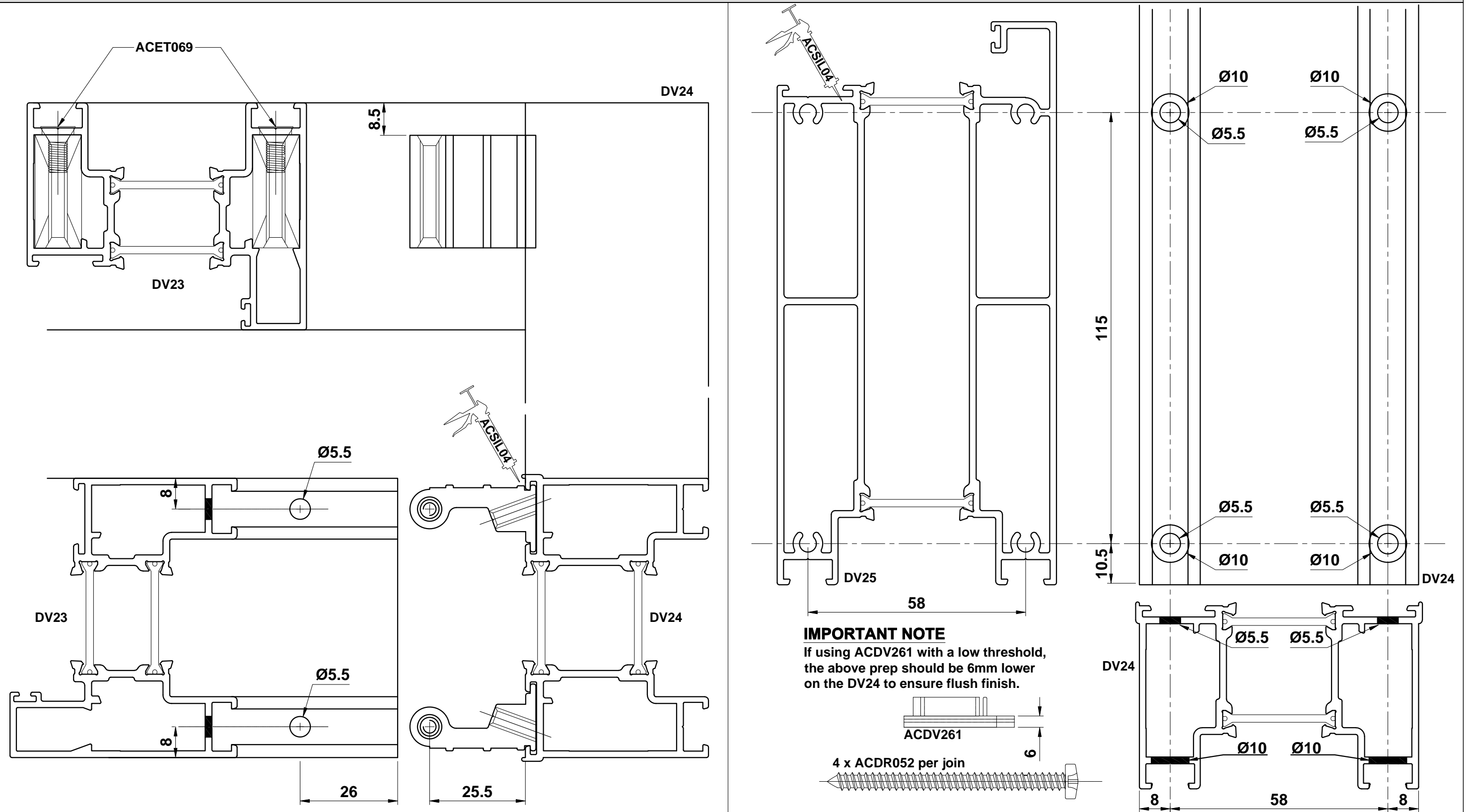
APPLY SILICONE (ACSIL04) TO EDGE OF PROFILE.



APPLY GLUE (ACSIL013) TO CLEAT APERTURE MARKED *

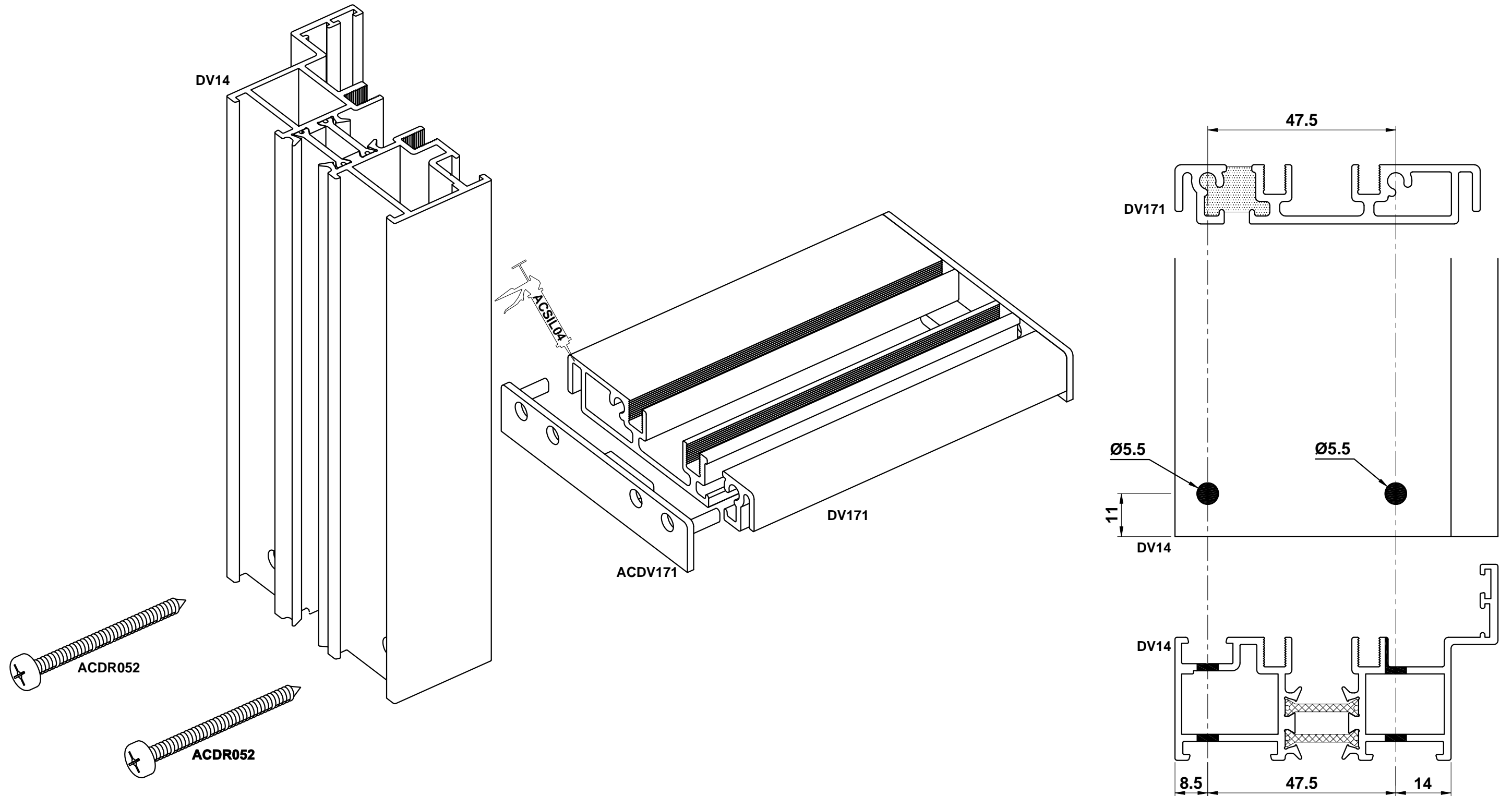
Do Not Scale From This Drawing

Open Out - Square Join



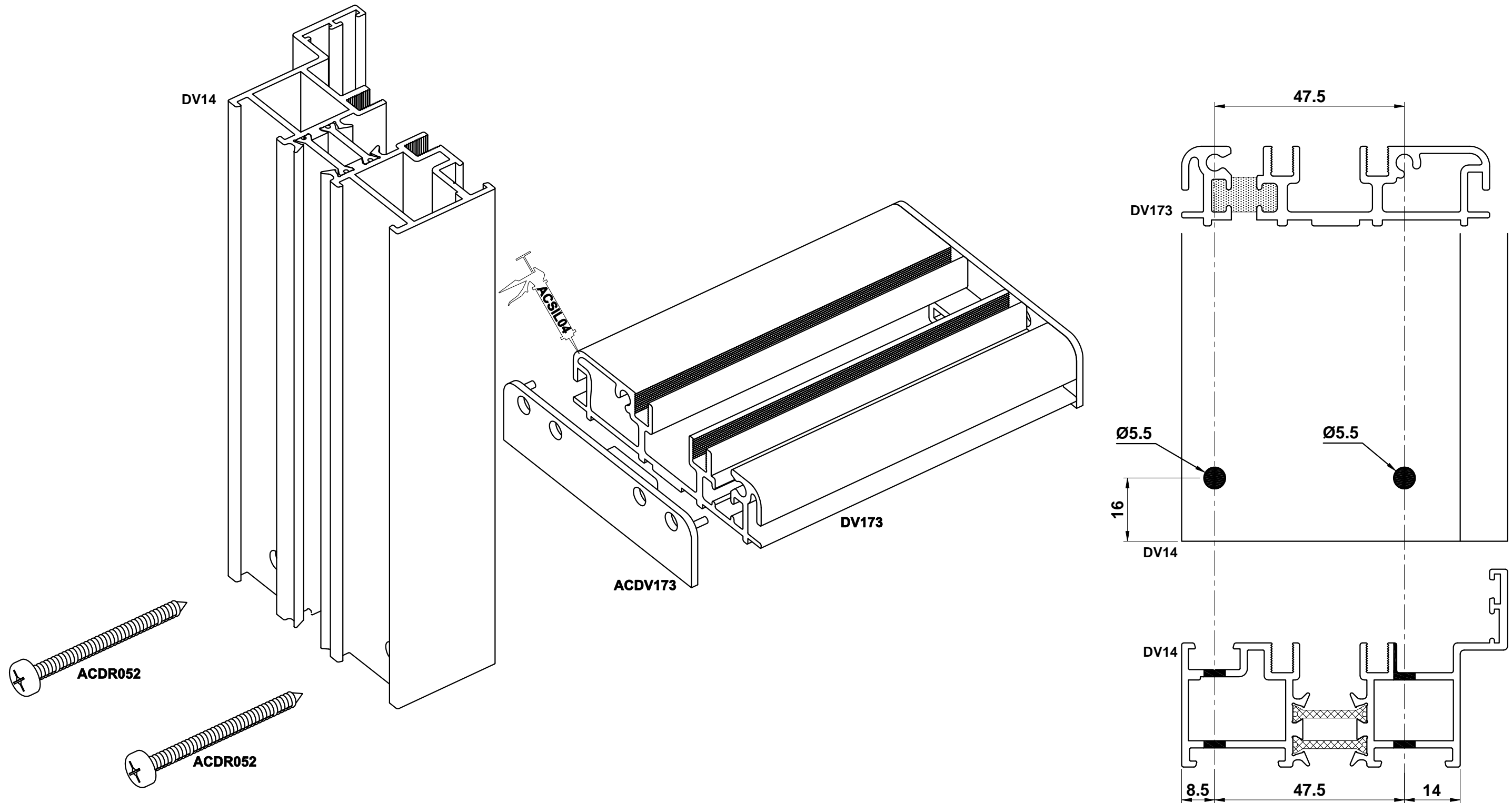
Do Not Scale From This Drawing

Open Out - DV171 Low Threshold



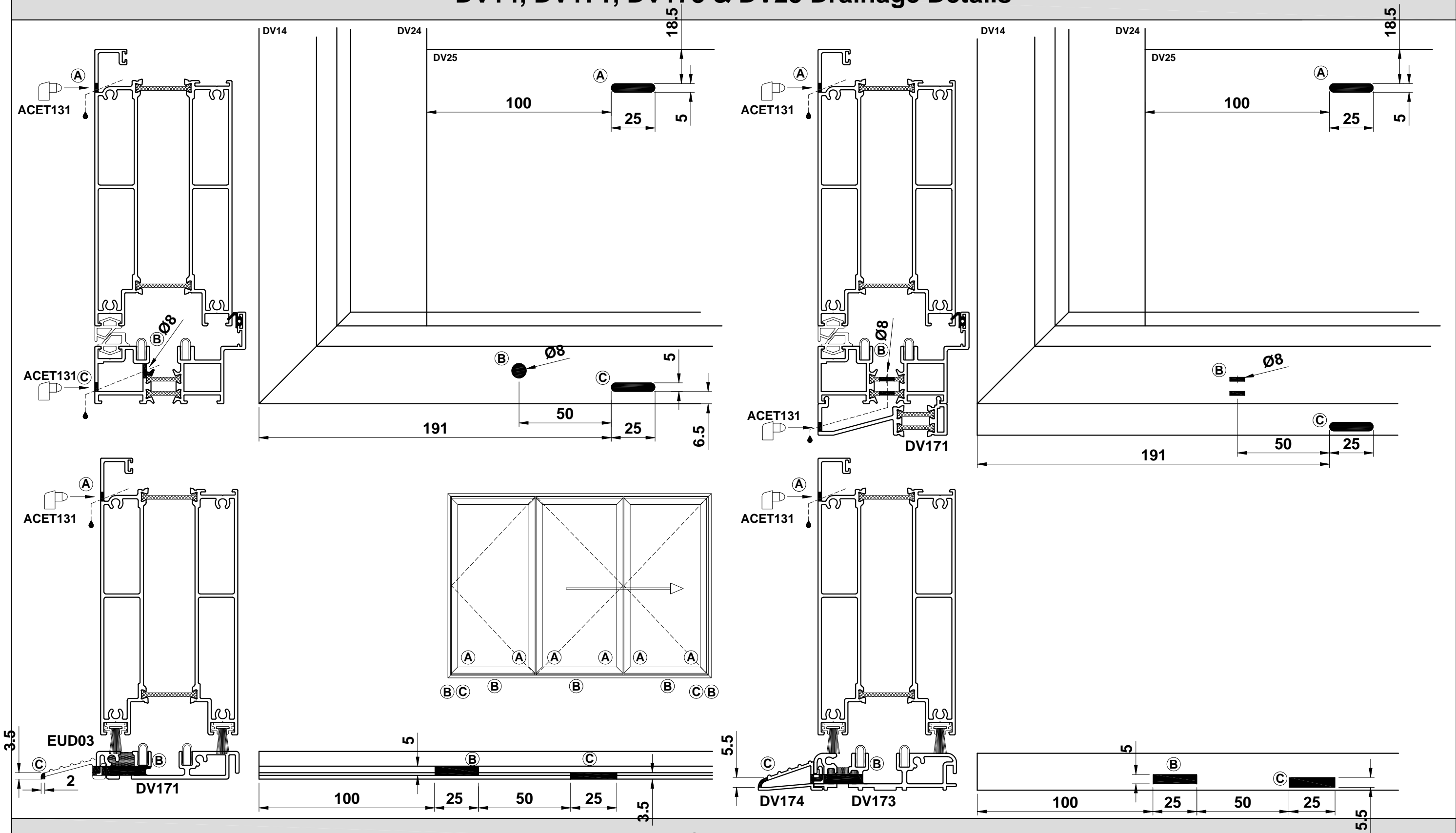
Do Not Scale From This Drawing

Open Out - DV173 Low Threshold



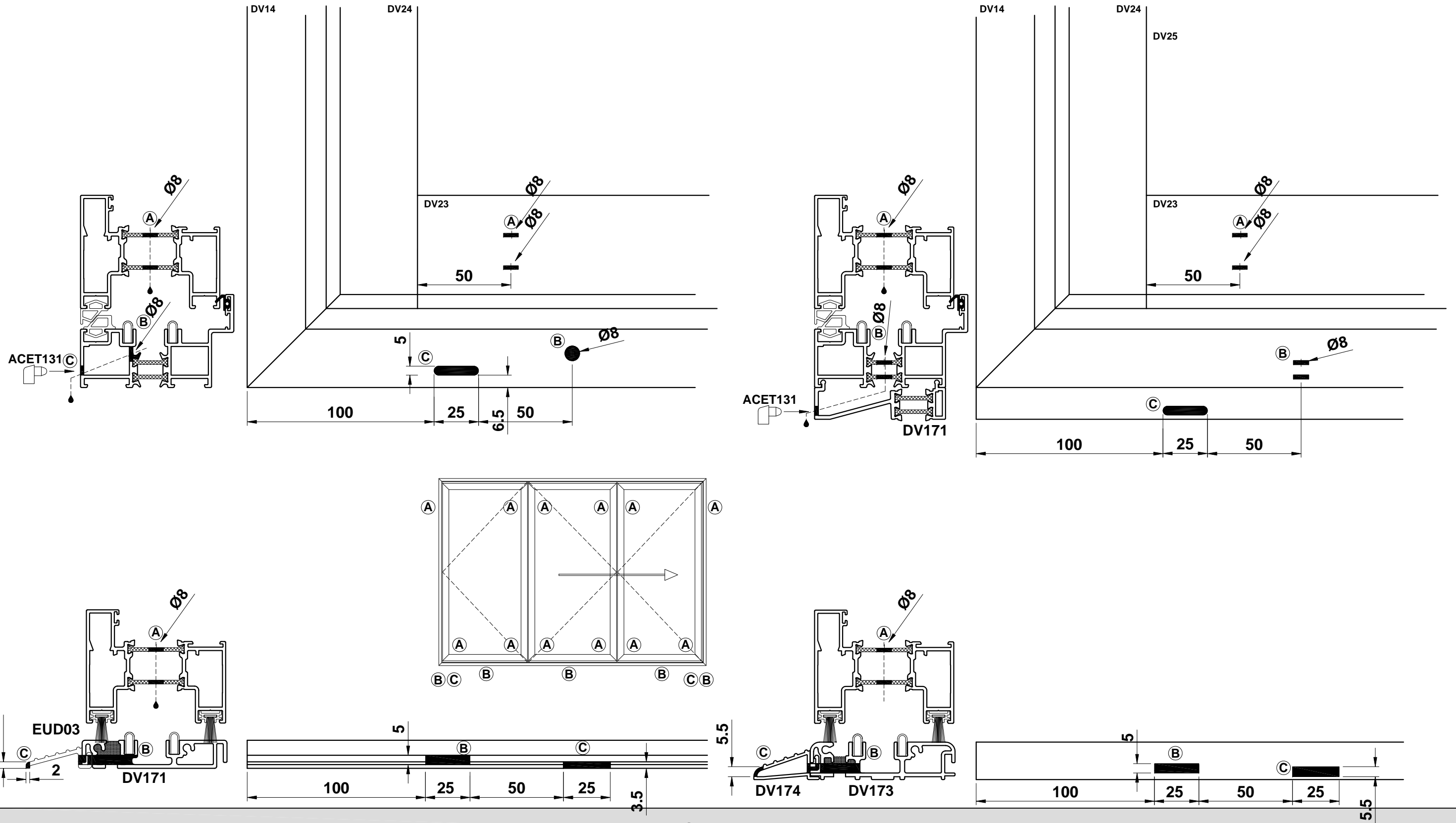
Do Not Scale From This Drawing

DV14, DV171, DV173 & DV25 Drainage Details



Do Not Scale From This Drawing

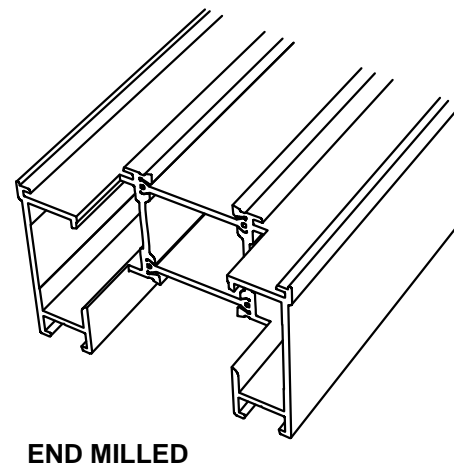
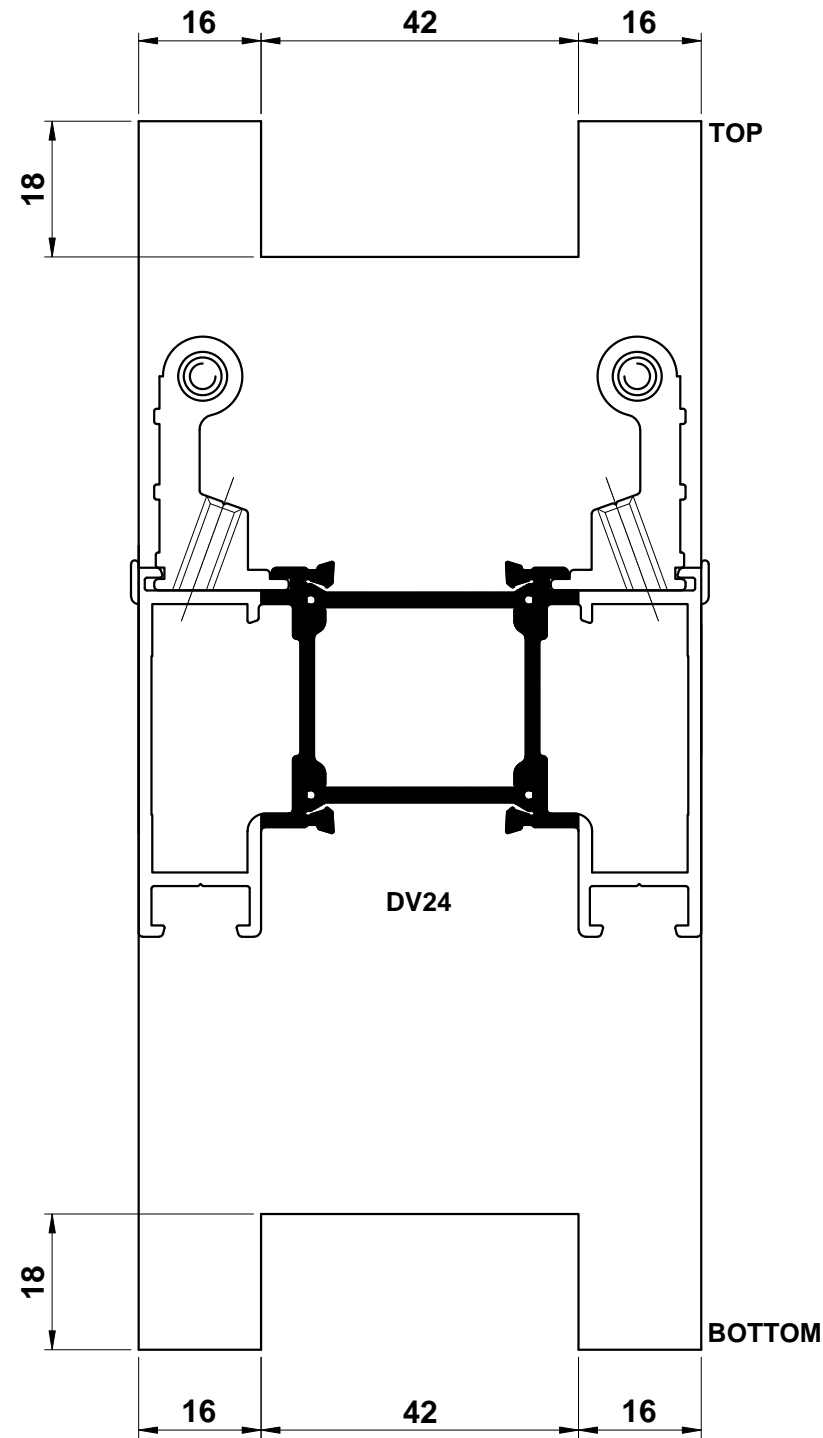
DV14, DV171, DV173 & DV23 Drainage Details



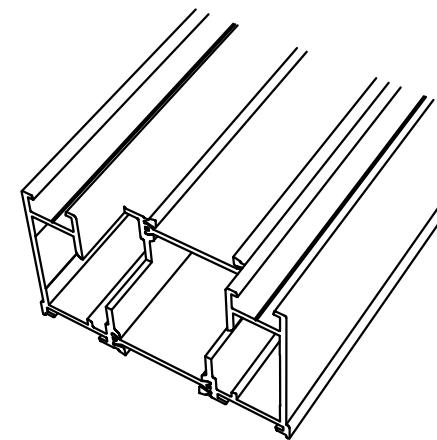
Do Not Scale From This Drawing

Stile Preparation

IF USING AN END MILLER, THE BELOW PREP CAN BE USED

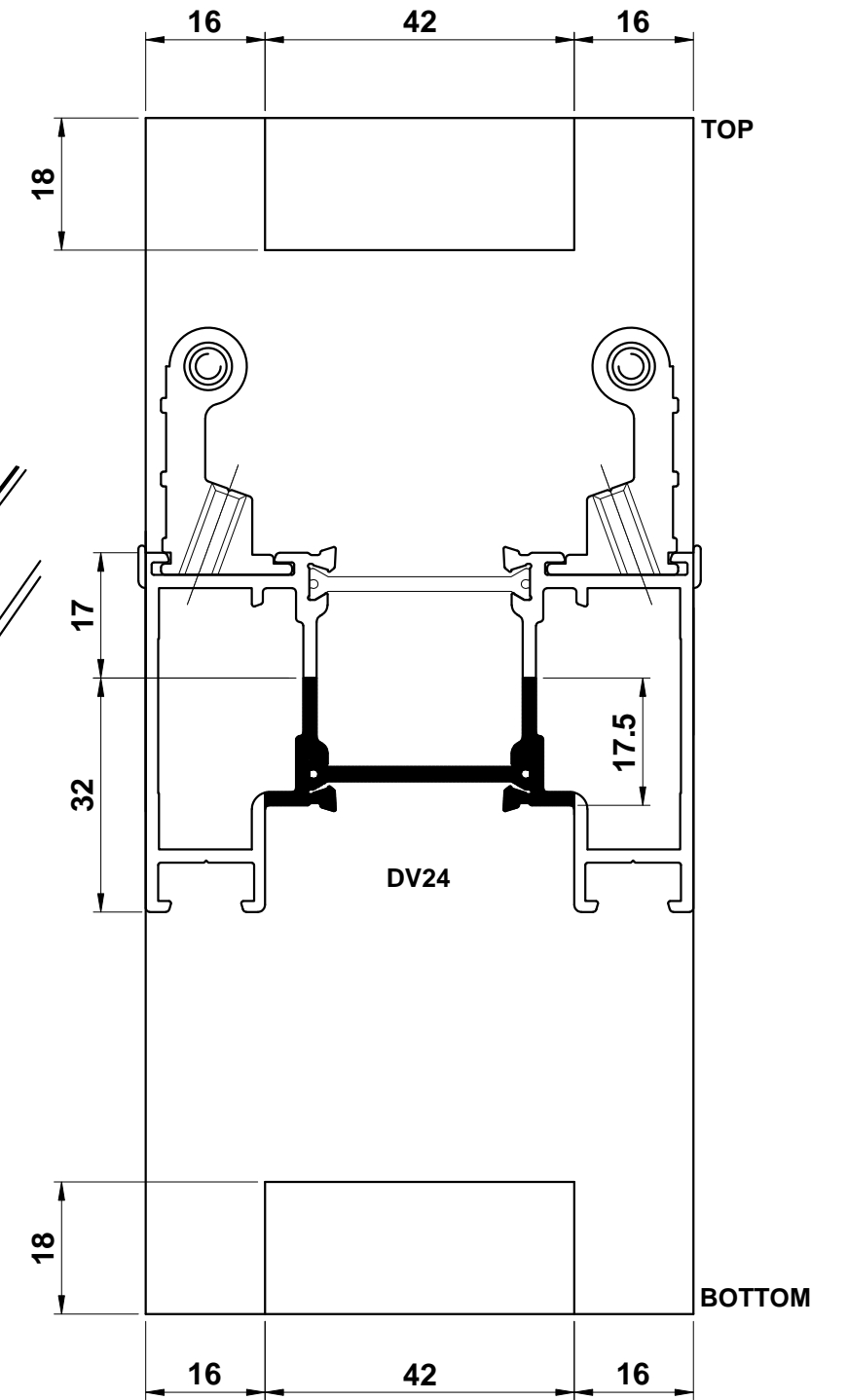


END MILLED



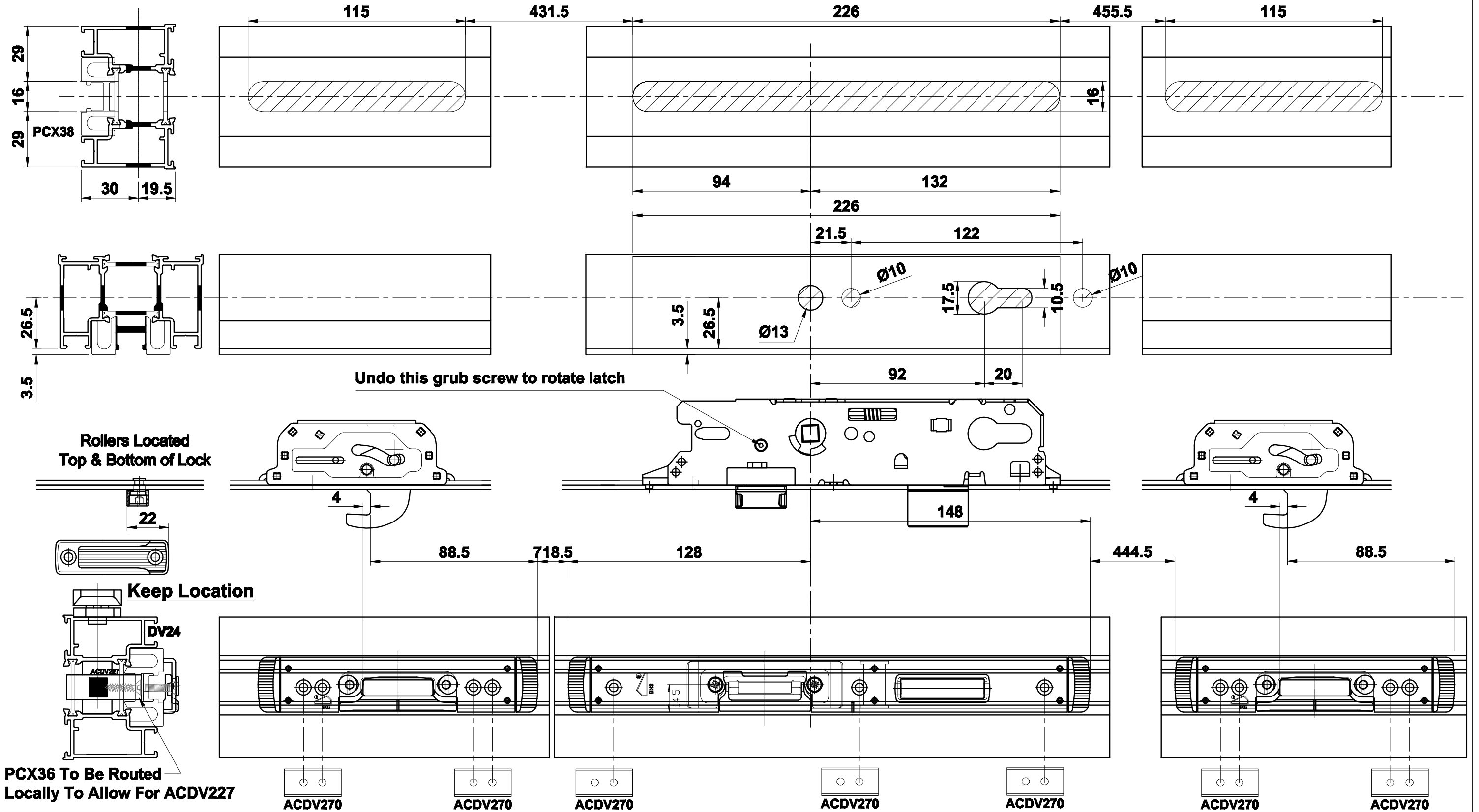
ROUTED

IF USING A ROUTER, THE BELOW PREP CAN BE USED IF PREFERRED



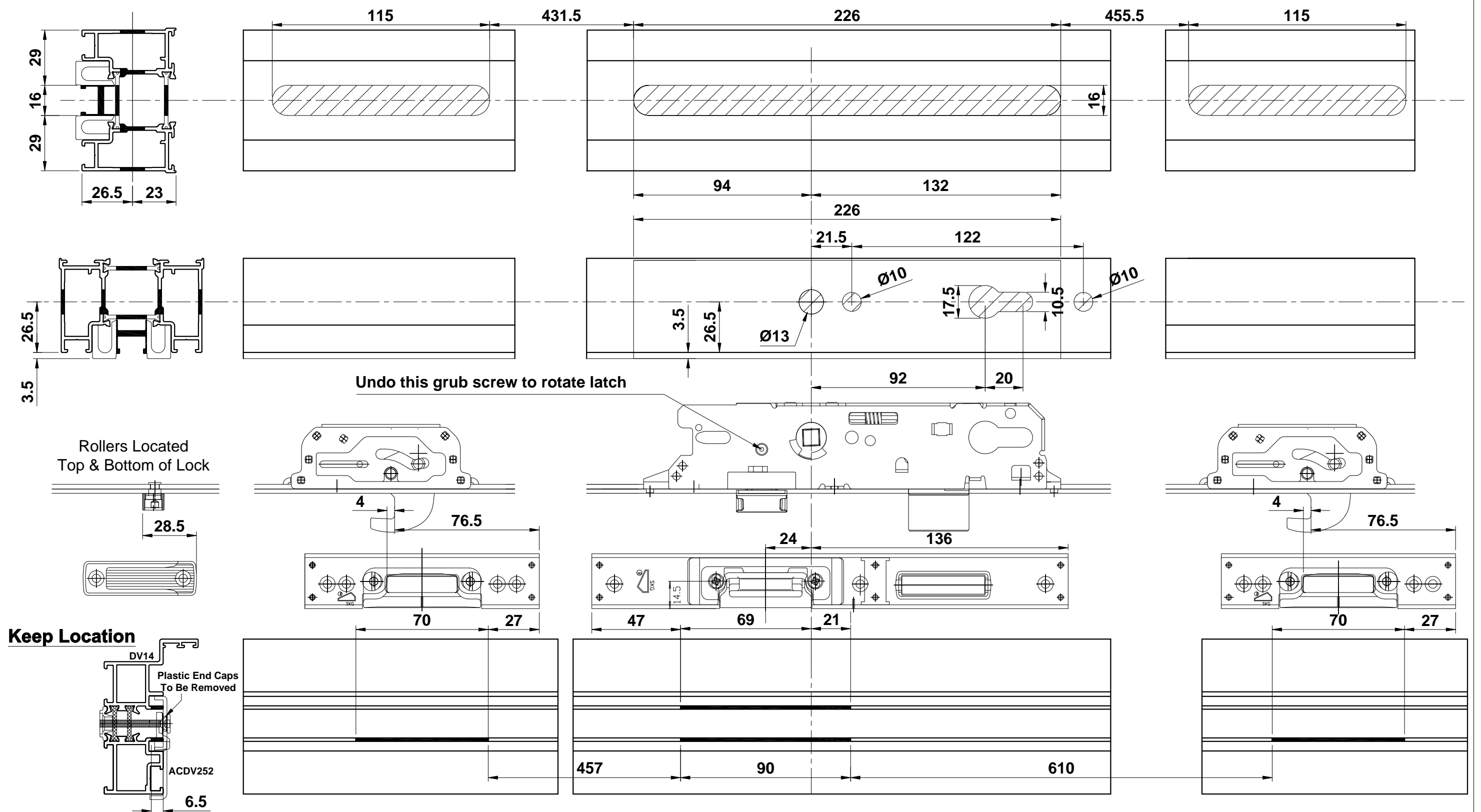
Do Not Scale From This Drawing

Open Out-ACDV718/9 Preparation Locking into DV24 with ACDV251 Handle



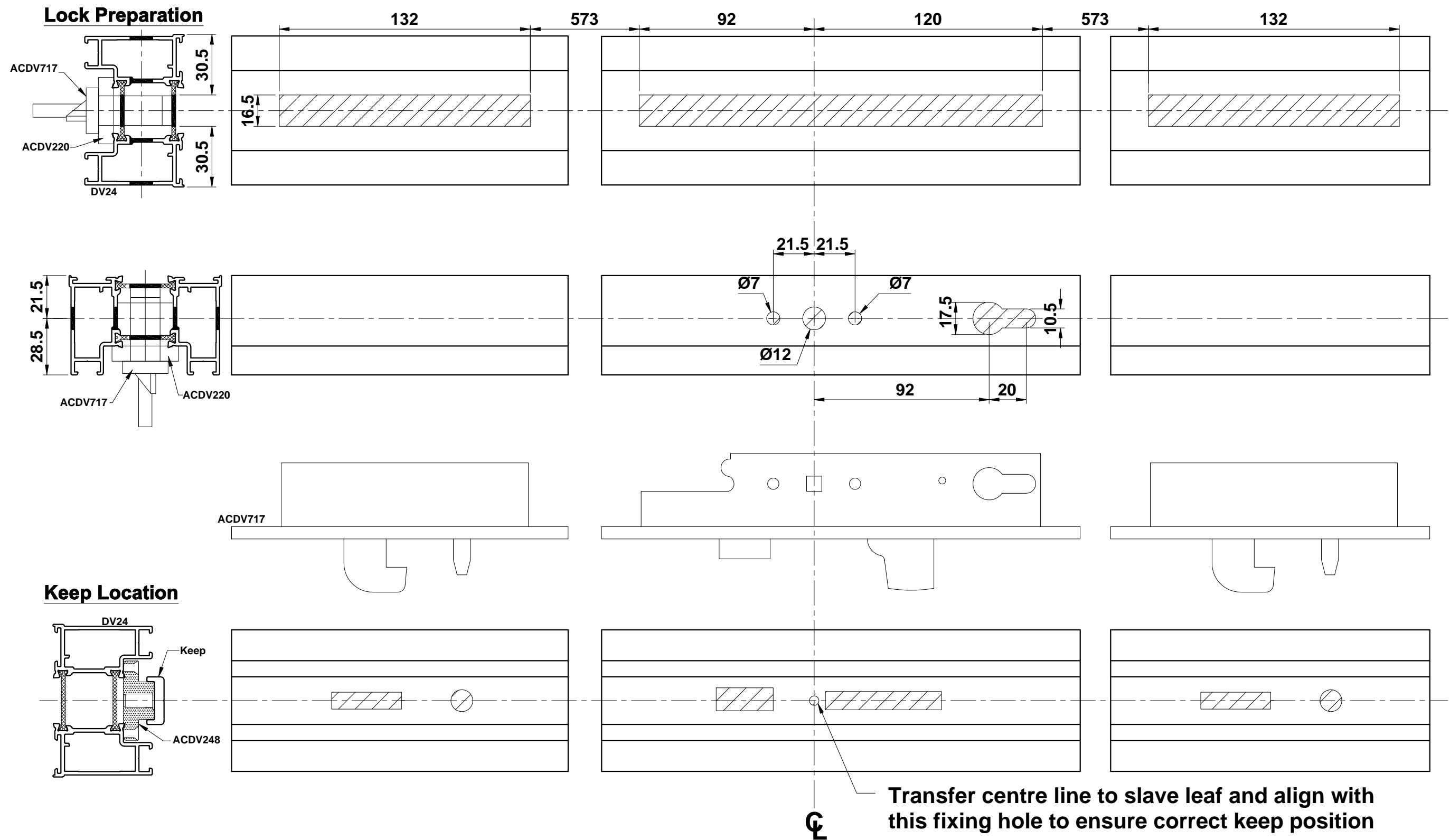
Do Not Scale From This Drawing

Open Out-ACDV718/719 Preparation Locking into DV14 with ACDV251 Handle



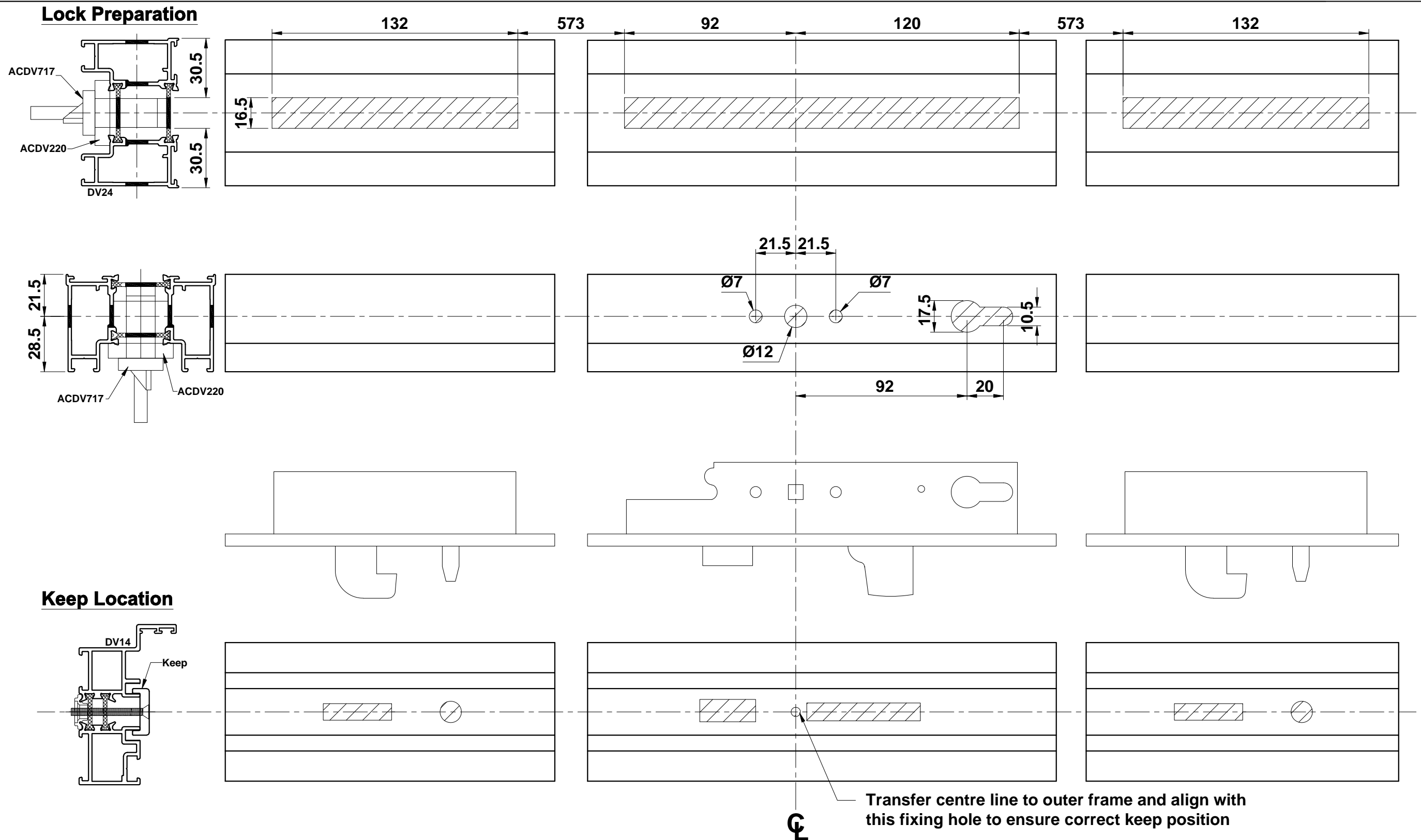
Do Not Scale From This Drawing

Open Out-ACDV717 Preparation Locking into DV24 with ACMX120 Handle



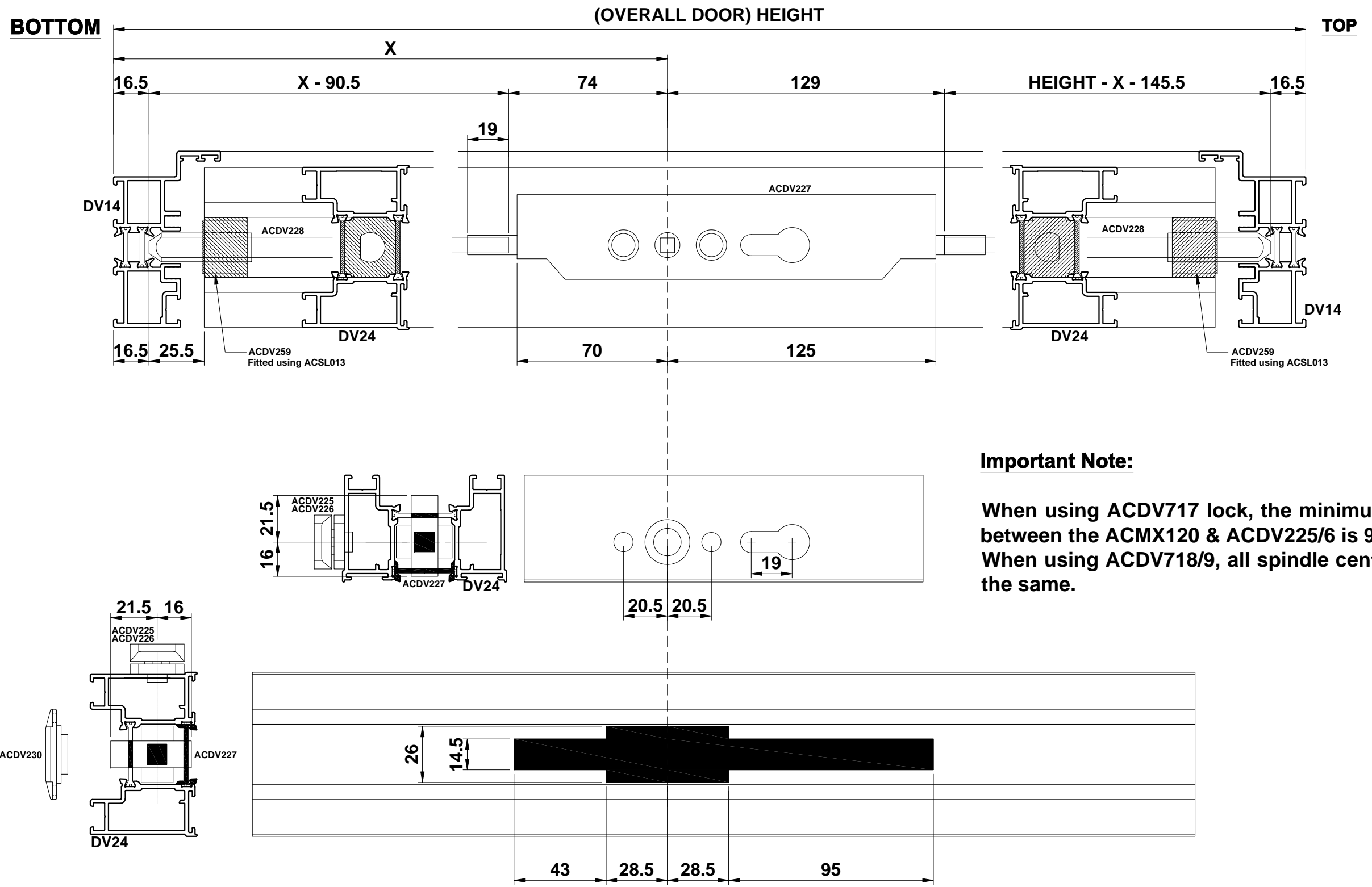
Do Not Scale From This Drawing

Open Out-ACDV717 Preparation Locking into DV14 with ACMX120 Handle



Do Not Scale From This Drawing

Open Out - Shootbolt Preparation with DV14 Threshold

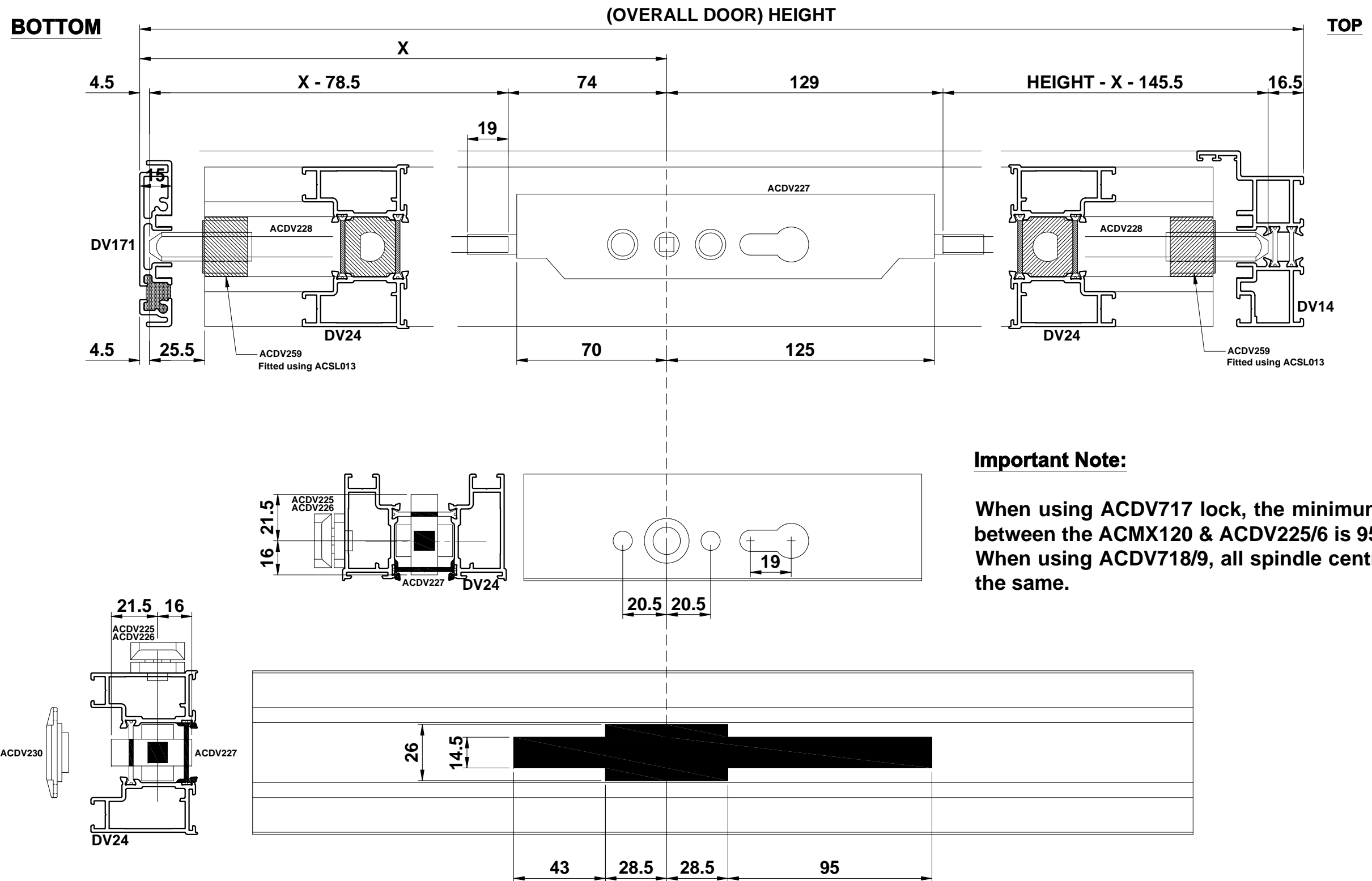


Important Note:

When using ACDV717 lock, the minimum distance between the ACMX120 & ACDV225/6 is 95mm. When using ACDV718/9, all spindle centres can be the same.

Do Not Scale From This Drawing

Open Out - Shootbolt Preparation with DV171 Threshold

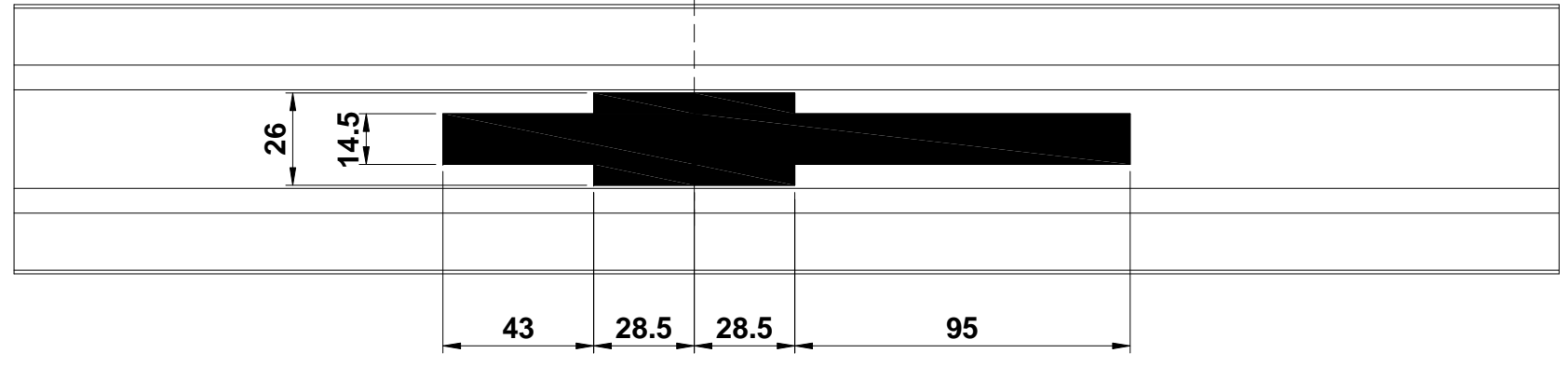
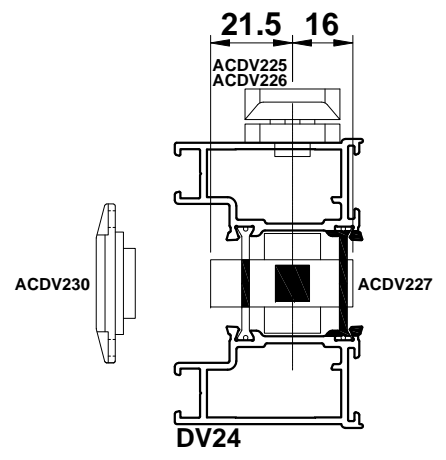
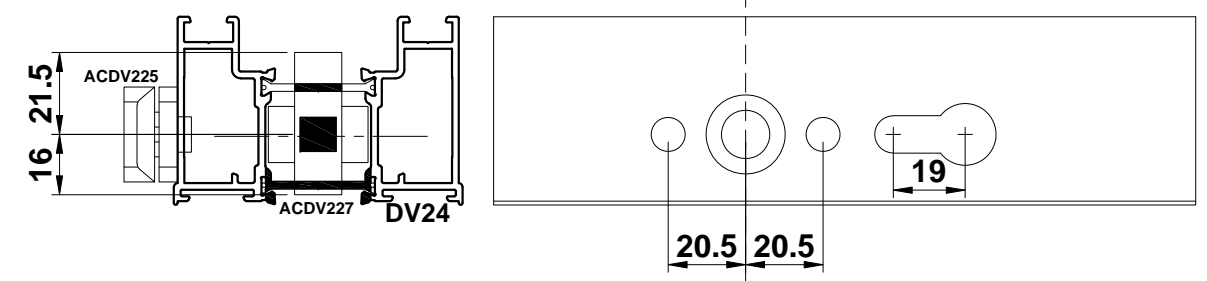
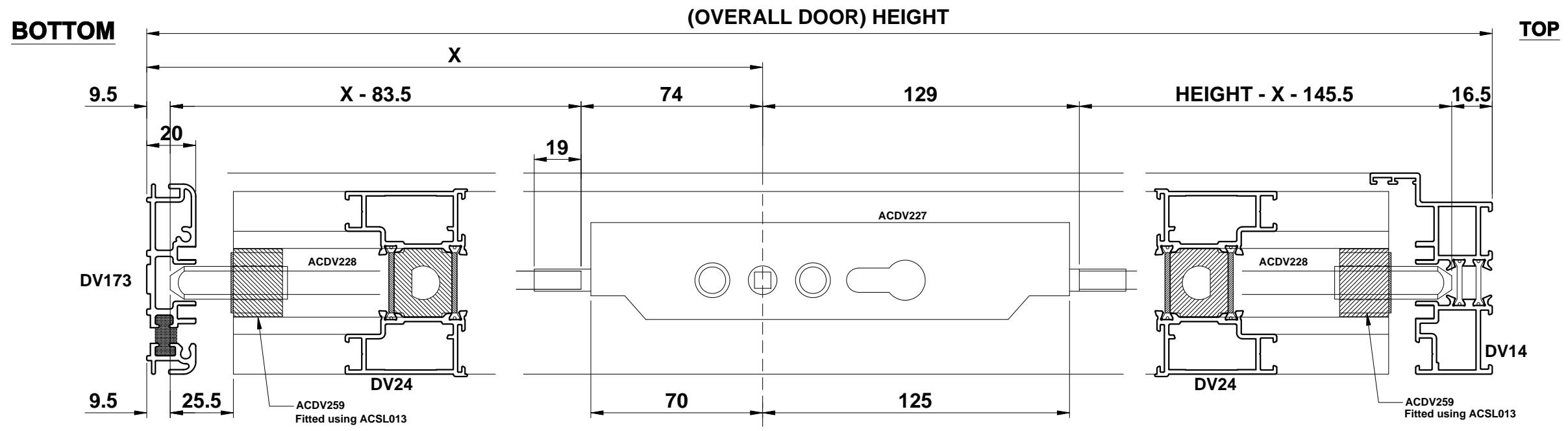


Important Note:

When using ACDV717 lock, the minimum distance between the ACMX120 & ACDV225/6 is 95mm. When using ACDV718/9, all spindle centres can be the same.

Do Not Scale From This Drawing

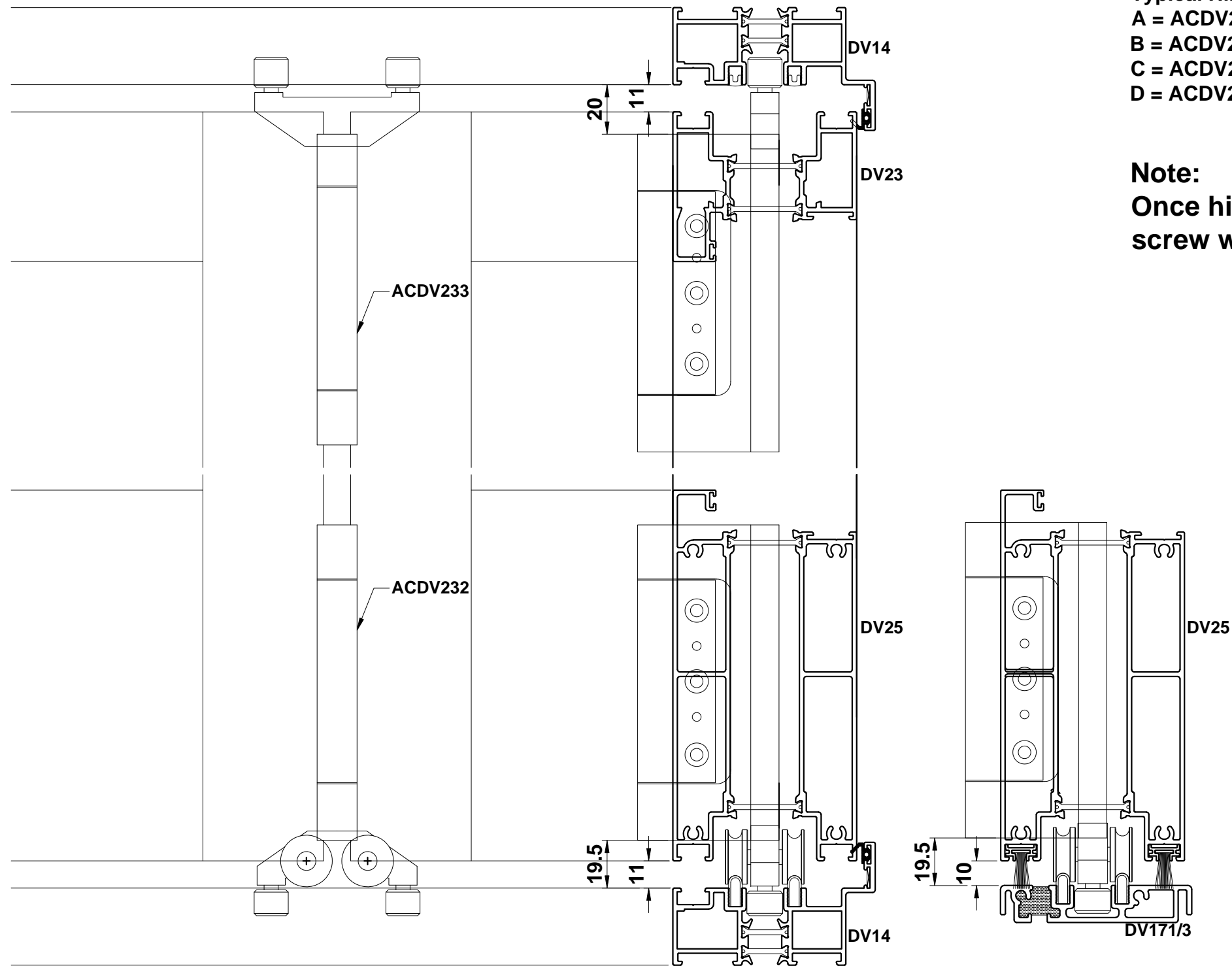
Open Out - Shootbolt Preparation with DV173 Threshold



Important Note:

When using ACDV717 lock, the minimum distance between the ACMX120 & ACDV225/6 is 95mm.
When using ACDV718/9, all spindle centres can be the same.

Hinges

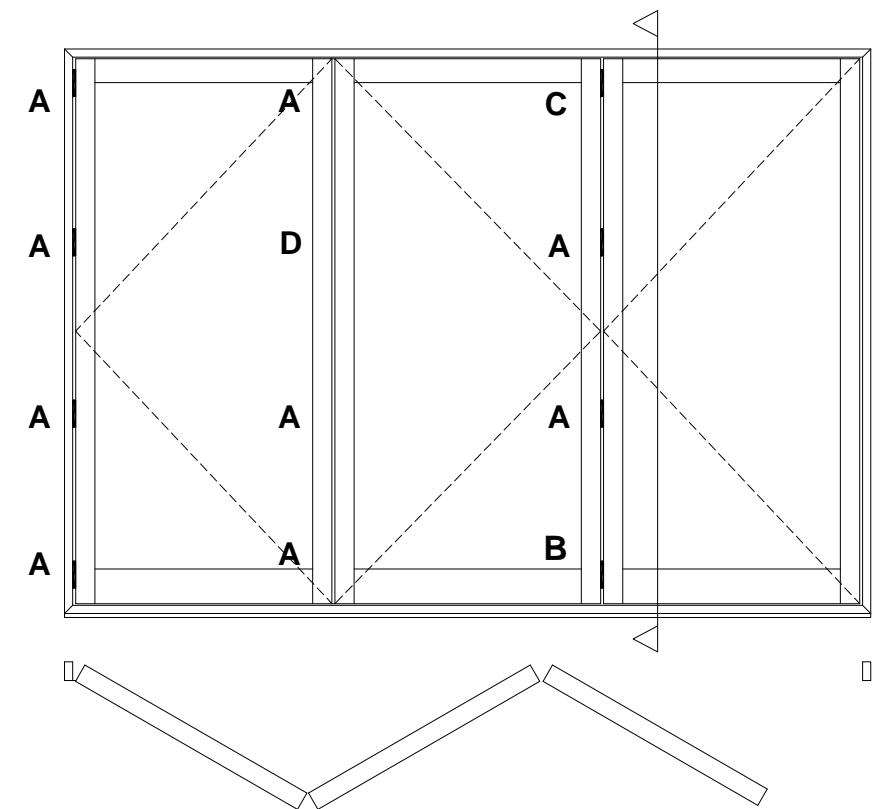


Typical Hinge Layout:

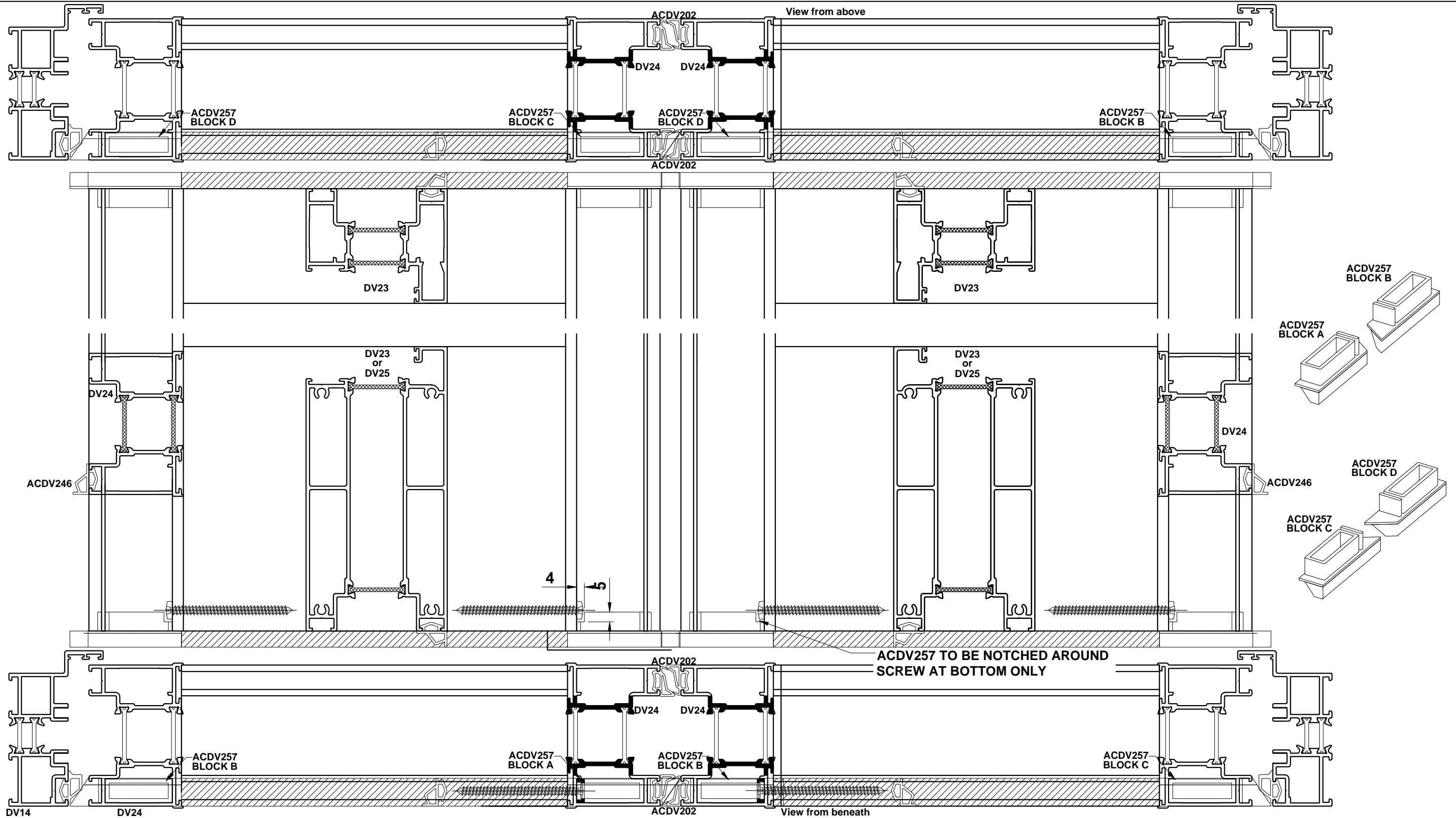
- A = ACDV231 Intermediate Hinge
- B = ACDV232 Bottom Roller Carrier
- C = ACDV233 Top Guide Carrier
- D = ACDV234 'D' Handle Hinge

Note:

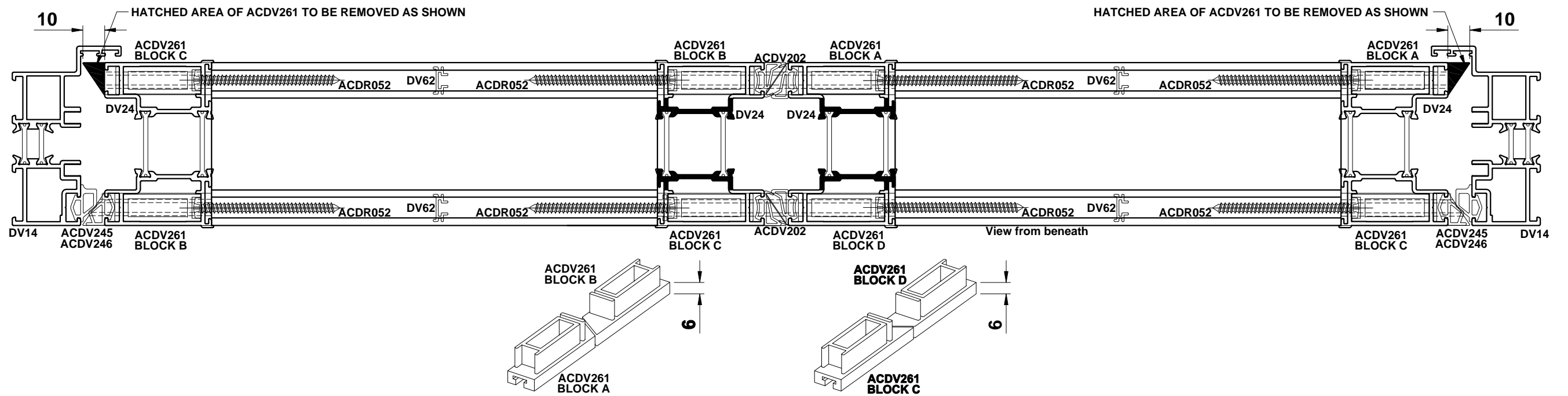
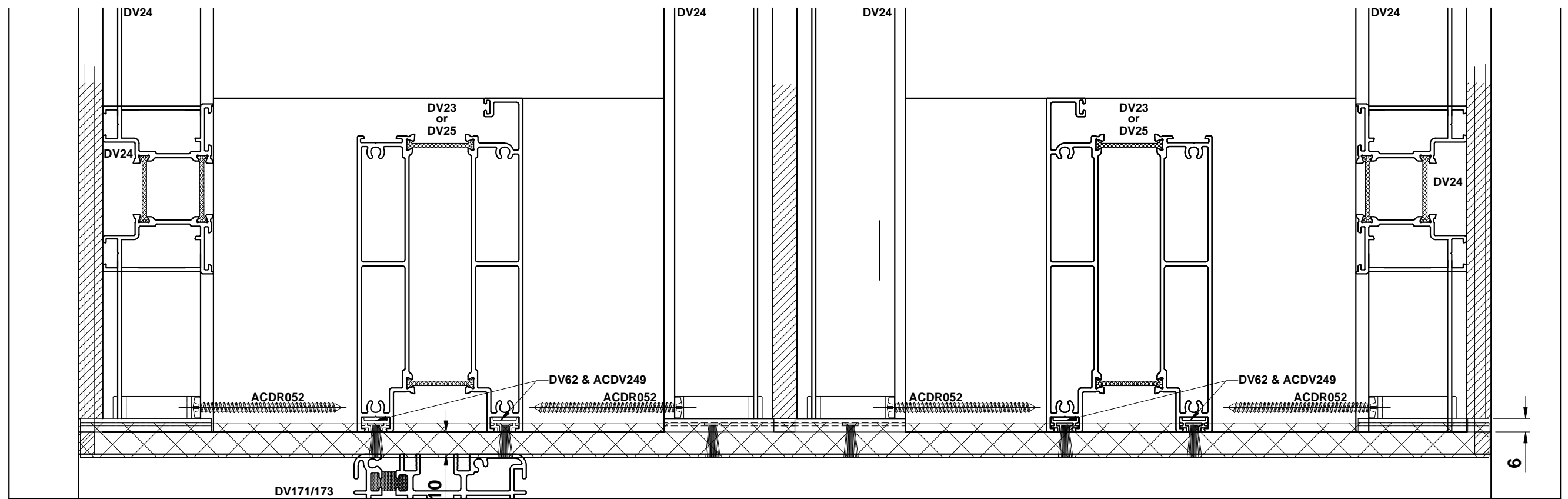
Once hinges are set into position, replace centre machine screw with a self tapping screw for permanent fixing.



Open Out - ACDV257 Locations



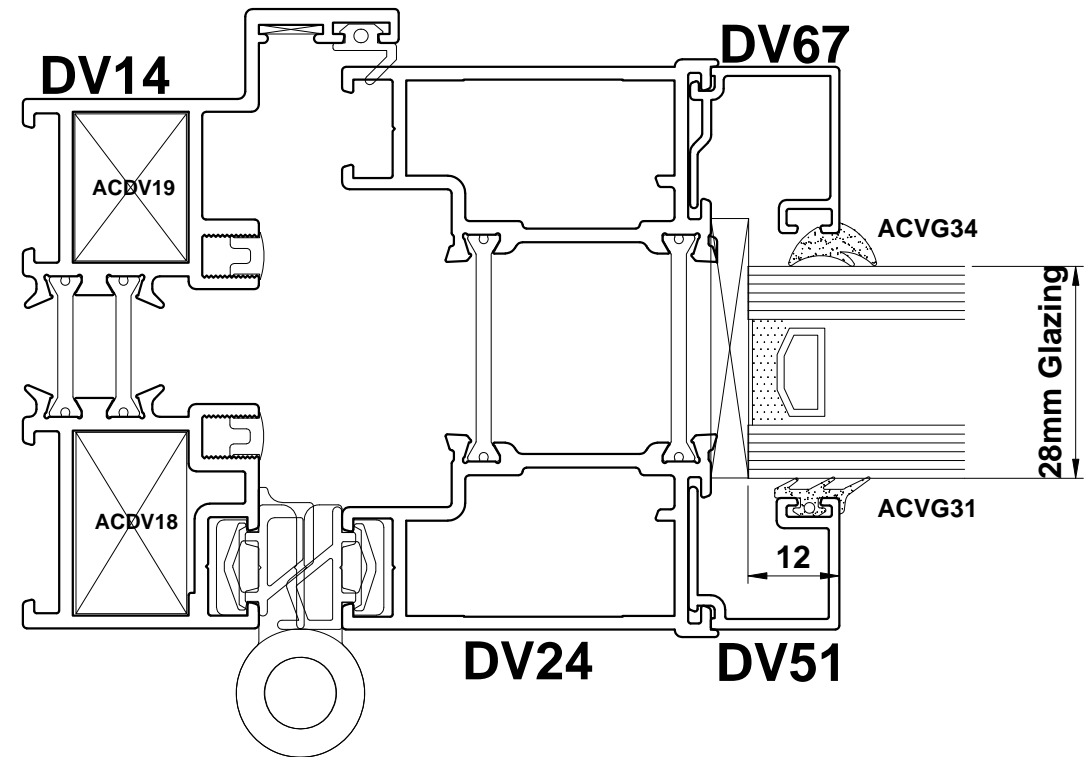
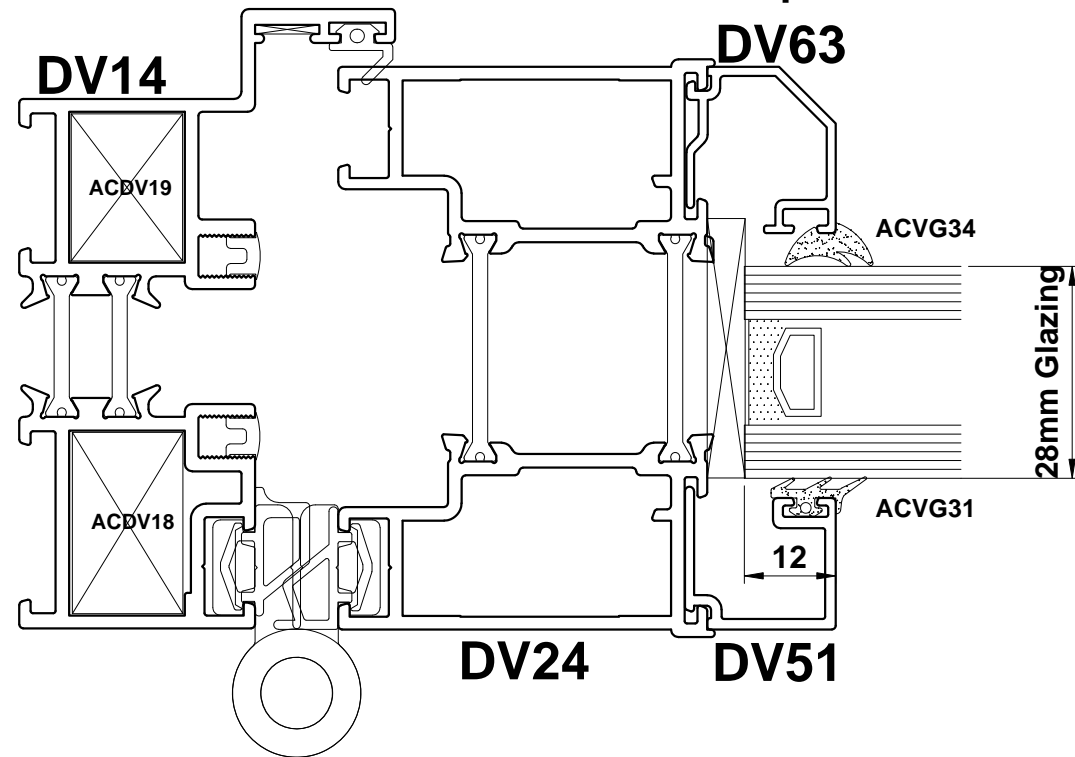
Open Out - ACDV261 Positions



Open Out - Beads & Glazing

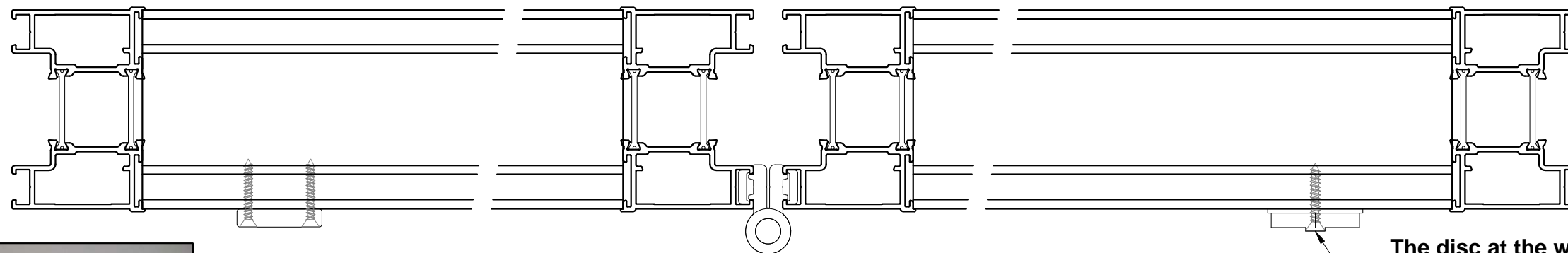
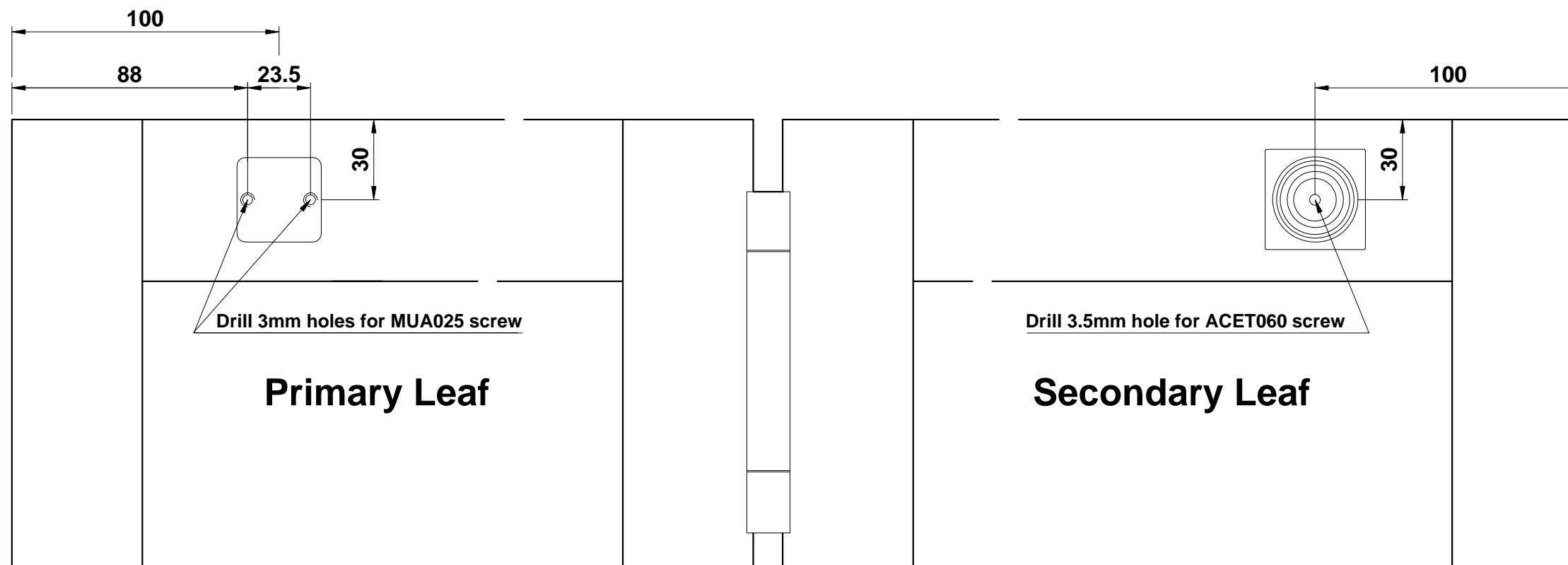
INTERNALLY BEADED

NOTE: The last DV63 bead must be fitted as 3 pieces due to mitre



28mm Only	
BEADS	GASKET
DV63	Outside: ACVG31 3mm 'E' Gasket
DV67	Inside: ACVG34 5mm Wedge Gasket

Open Out - ACDV308



The disc at the wider end of the catch unscrews to allow fixing.

WARNING - the catch is SPRING LOADED, take care when removing from base plate and point in a safe direction

Section E

Do Not Scale From This Drawing

Section E

**Visofold 2000
Open In
Construction Drawings**

Index

E DV

Construction Drawings

E 1

1 - Corner Jointing Page E26

E 2

2 - Drainage Page E30

E 3

3 - Mullion Preparation..... Page E32

E 4

4 - Locking Hardware Page E33

E 5

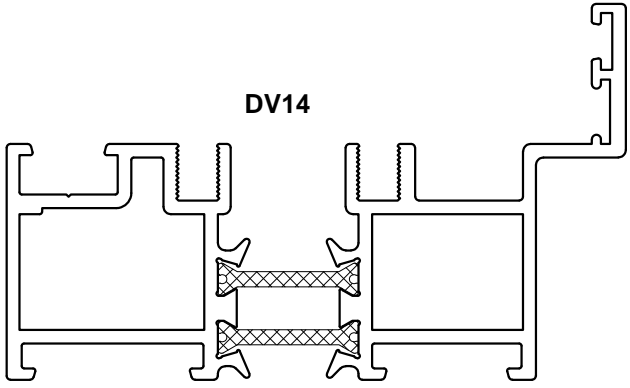
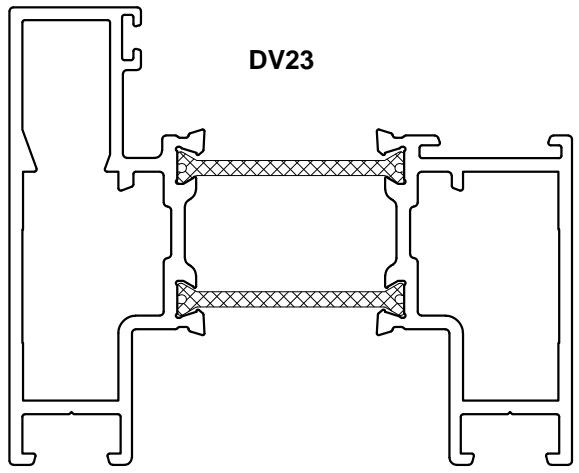
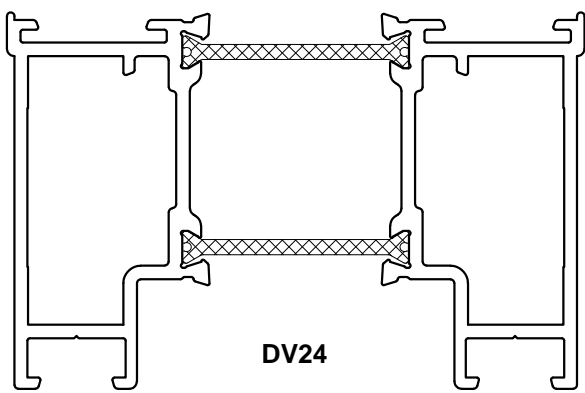
5 - Hinges Page E40

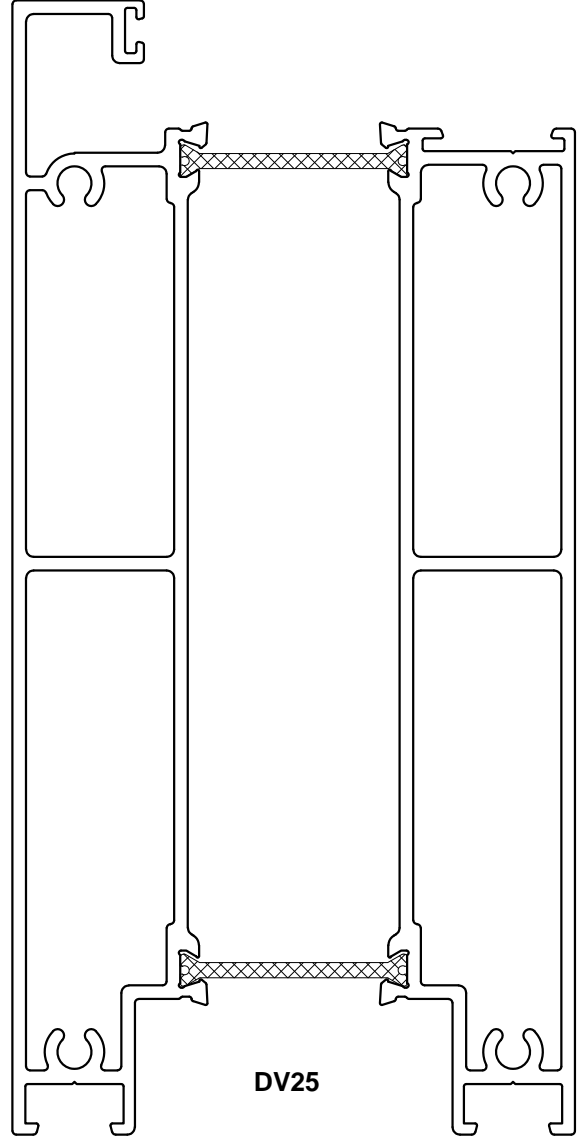
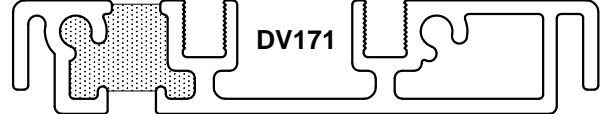
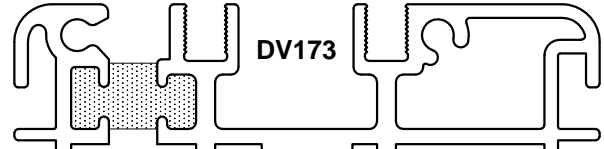
E 6

6 - Bead & GlazingPage E43

IF IN DOUBT ASK!

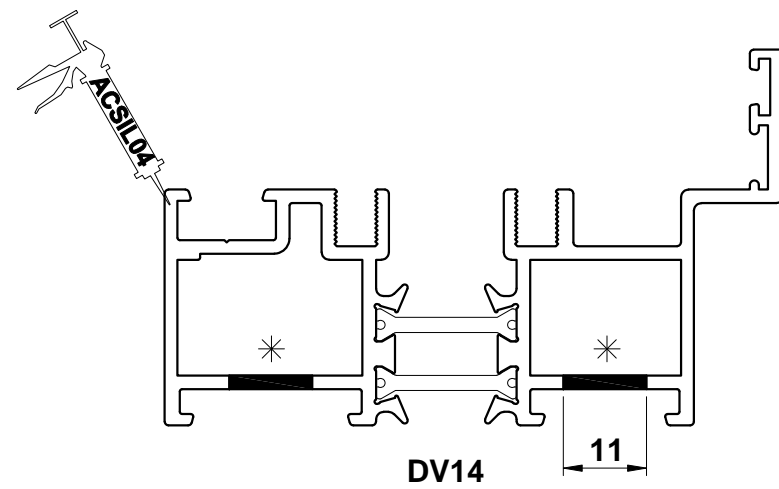
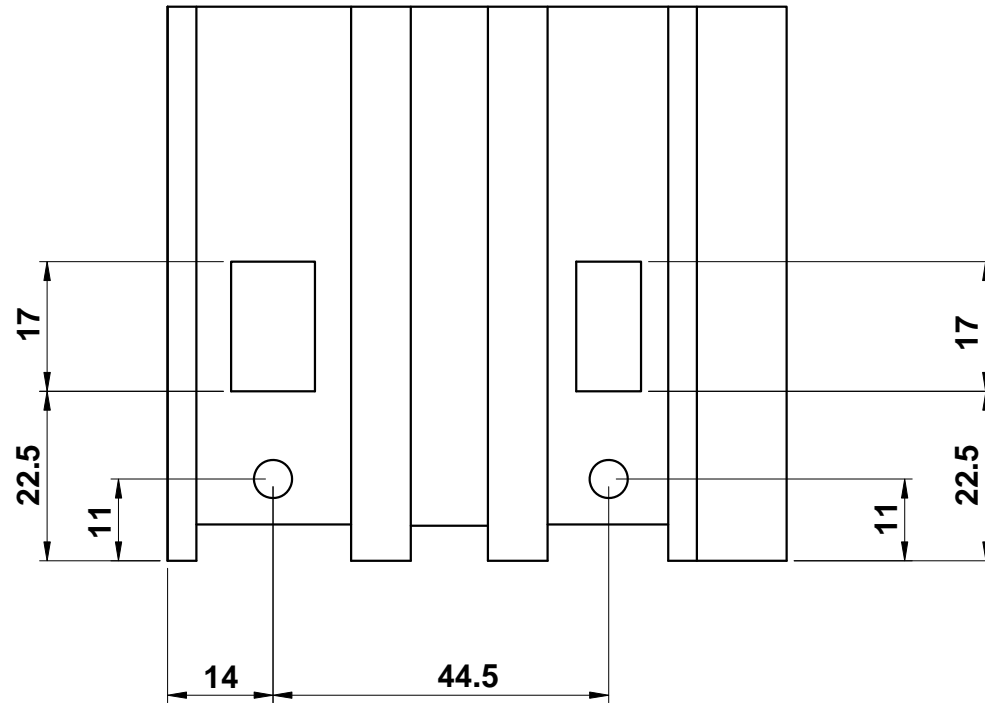
Open In - Door Profiles

Profiles	Tooling / Components
 <p style="text-align: center;">DV14</p>	<p>Corner Chevron - ACDV24 Mechanical cleat - ACDV18 Mechanical cleat - ACDV19 Tooling - ACDV900</p>
 <p style="text-align: center;">DV23</p>	<p>Mechanical cleat - ACDV22</p>
 <p style="text-align: center;">DV24</p>	

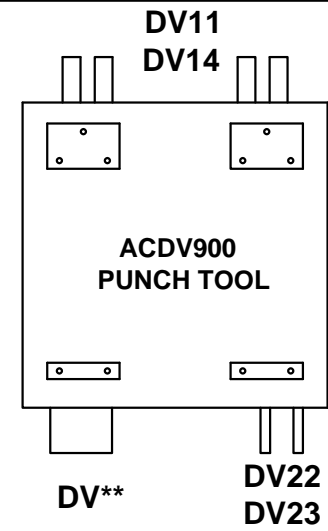
Profiles	Tooling / Components
 <p style="text-align: center;">DV25</p>	
 <p style="text-align: center;">DV171</p>	
 <p style="text-align: center;">DV173</p>	

Do Not Scale From This Drawing

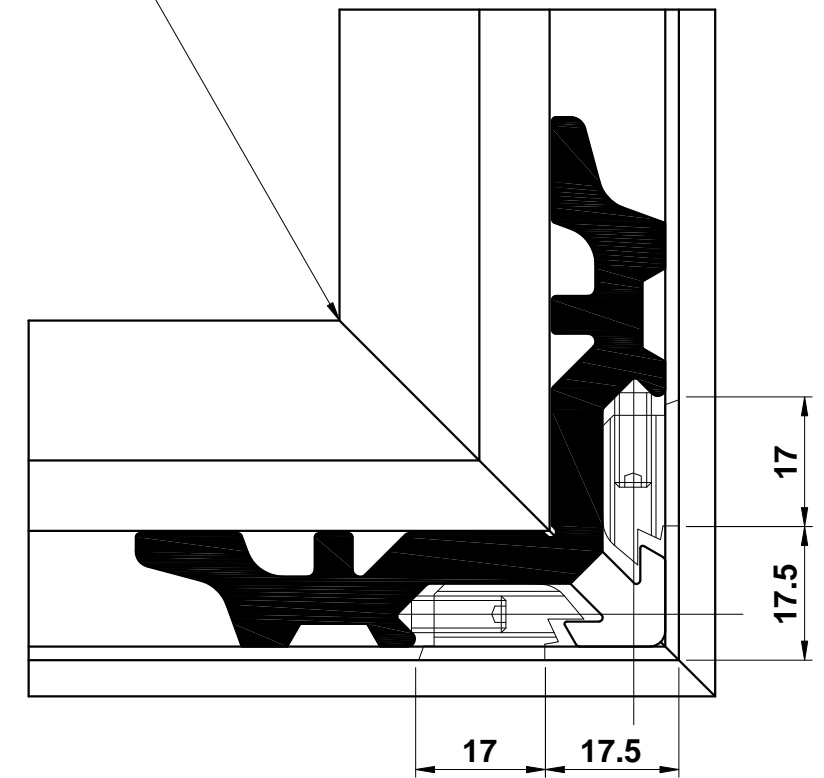
Open In - DV14 Corner Cleat Preparation



CORNER CLEAT-ACDV18
CORNER CLEAT-ACDV19



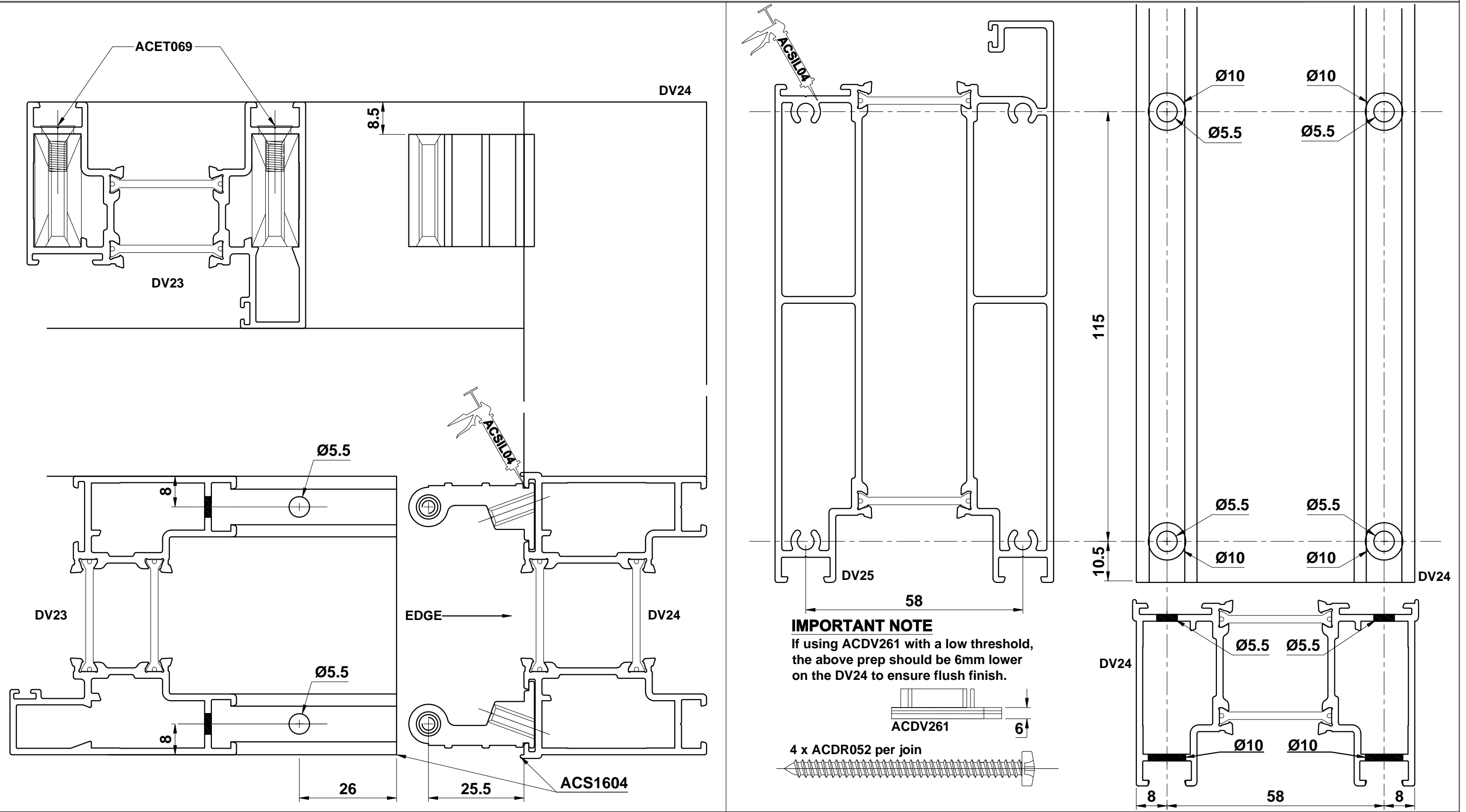
APPLY SILICONE (ACSIL04) TO EDGE OF PROFILE.



APPLY GLUE (ACSIL013) TO CLEAT APERTURE MARKED *

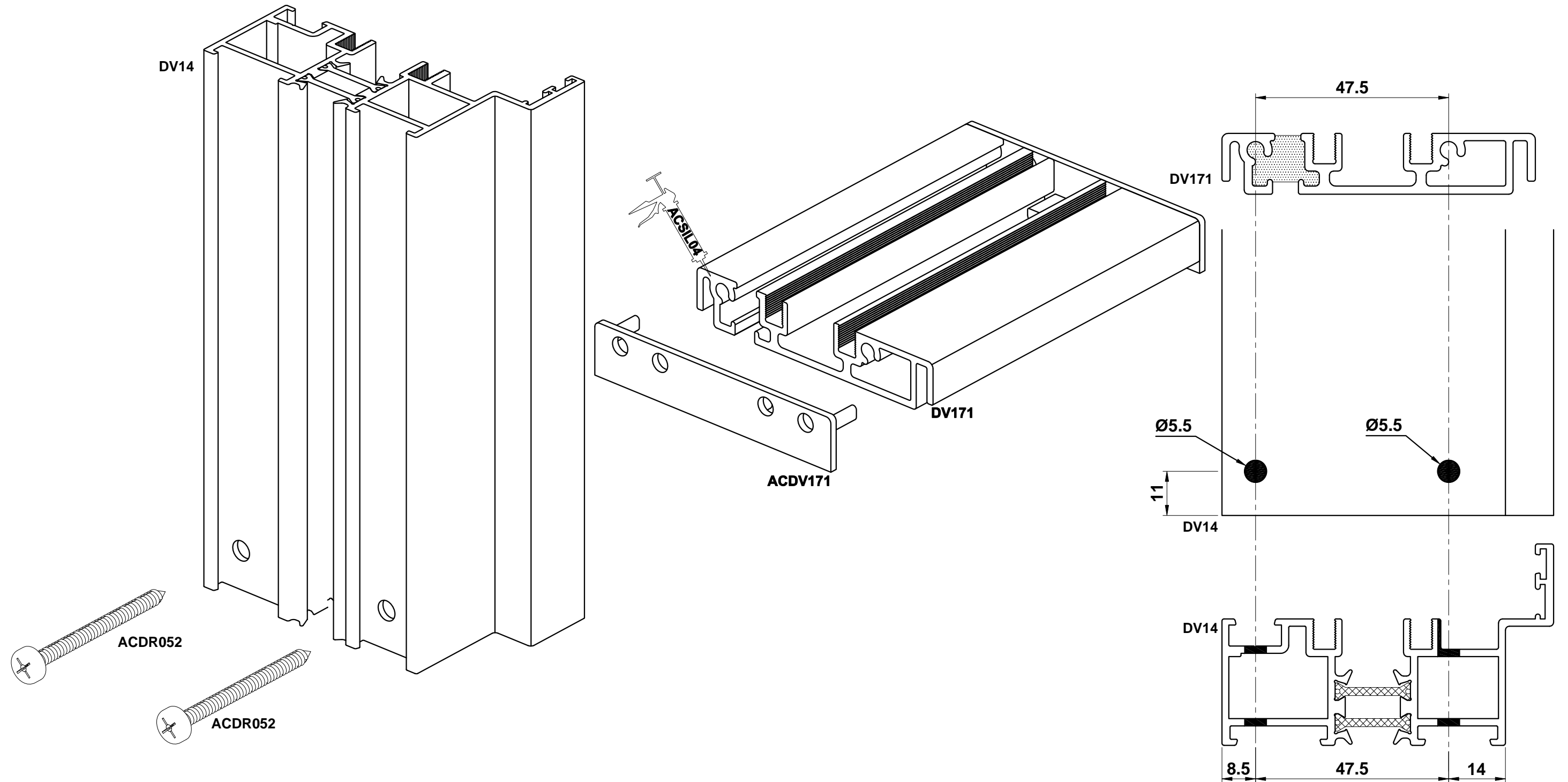
Do Not Scale From This Drawing

Open In - Square Join



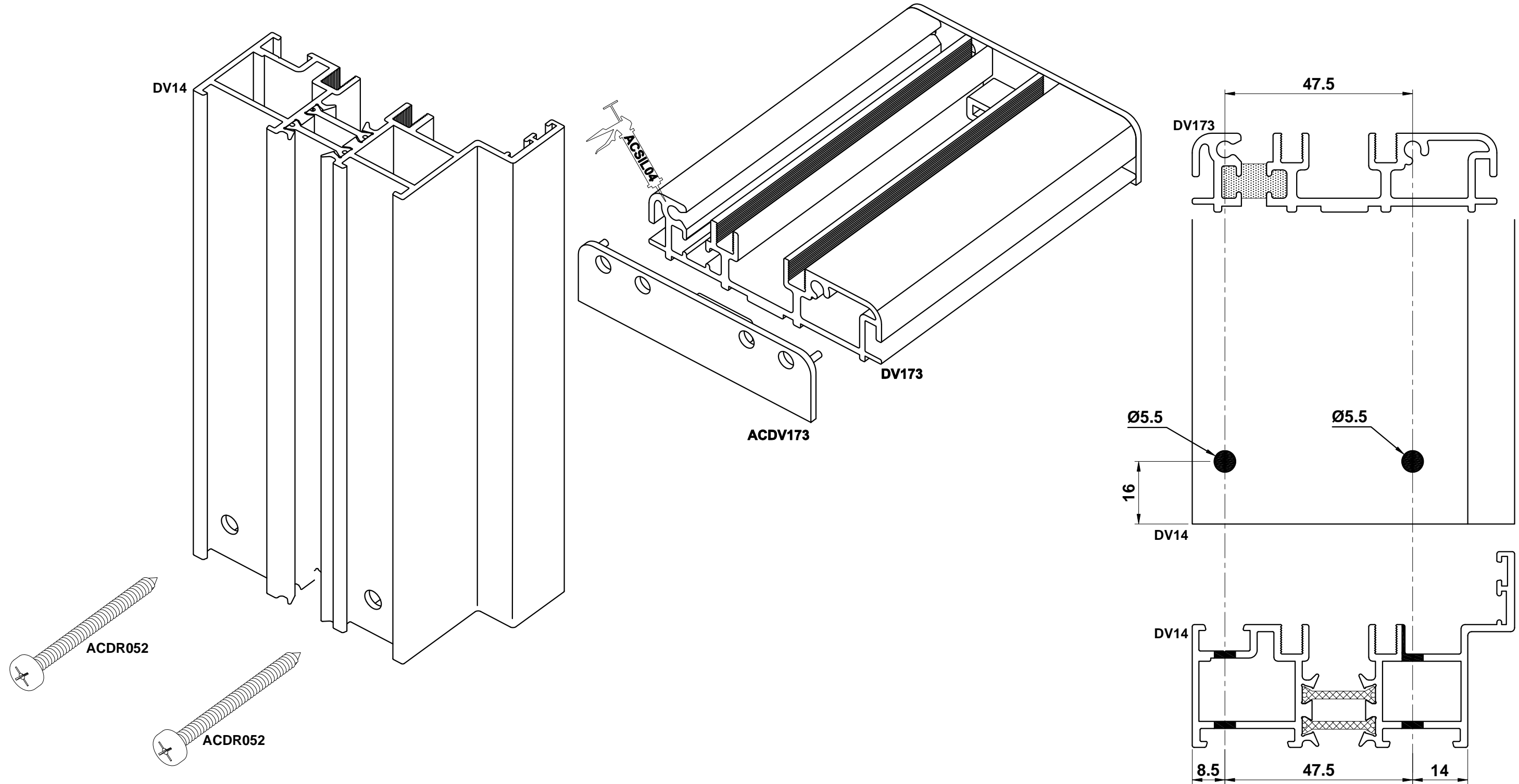
Do Not Scale From This Drawing

Open In - DV171 Low Threshold



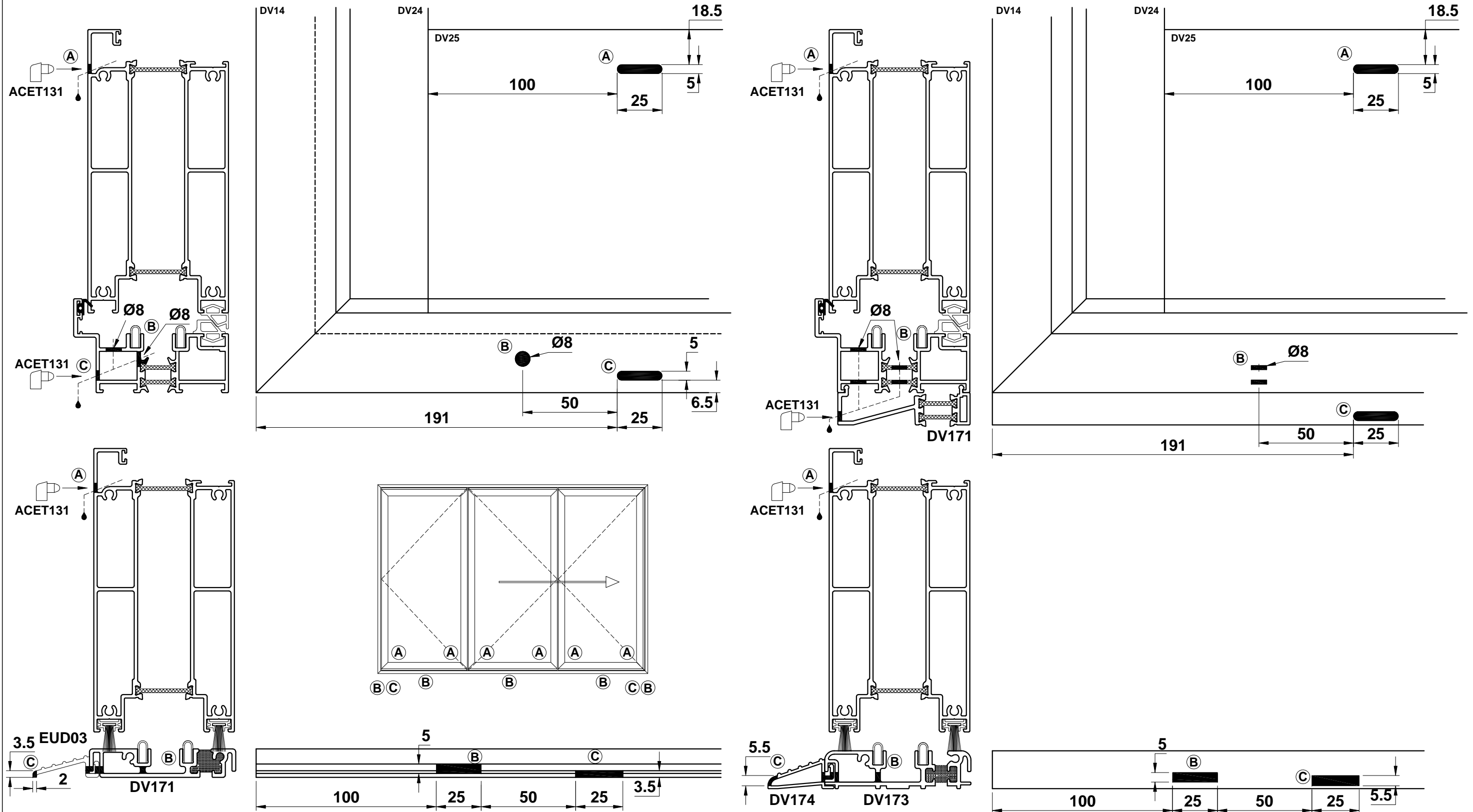
Do Not Scale From This Drawing

Open In - DV173 Low Threshold



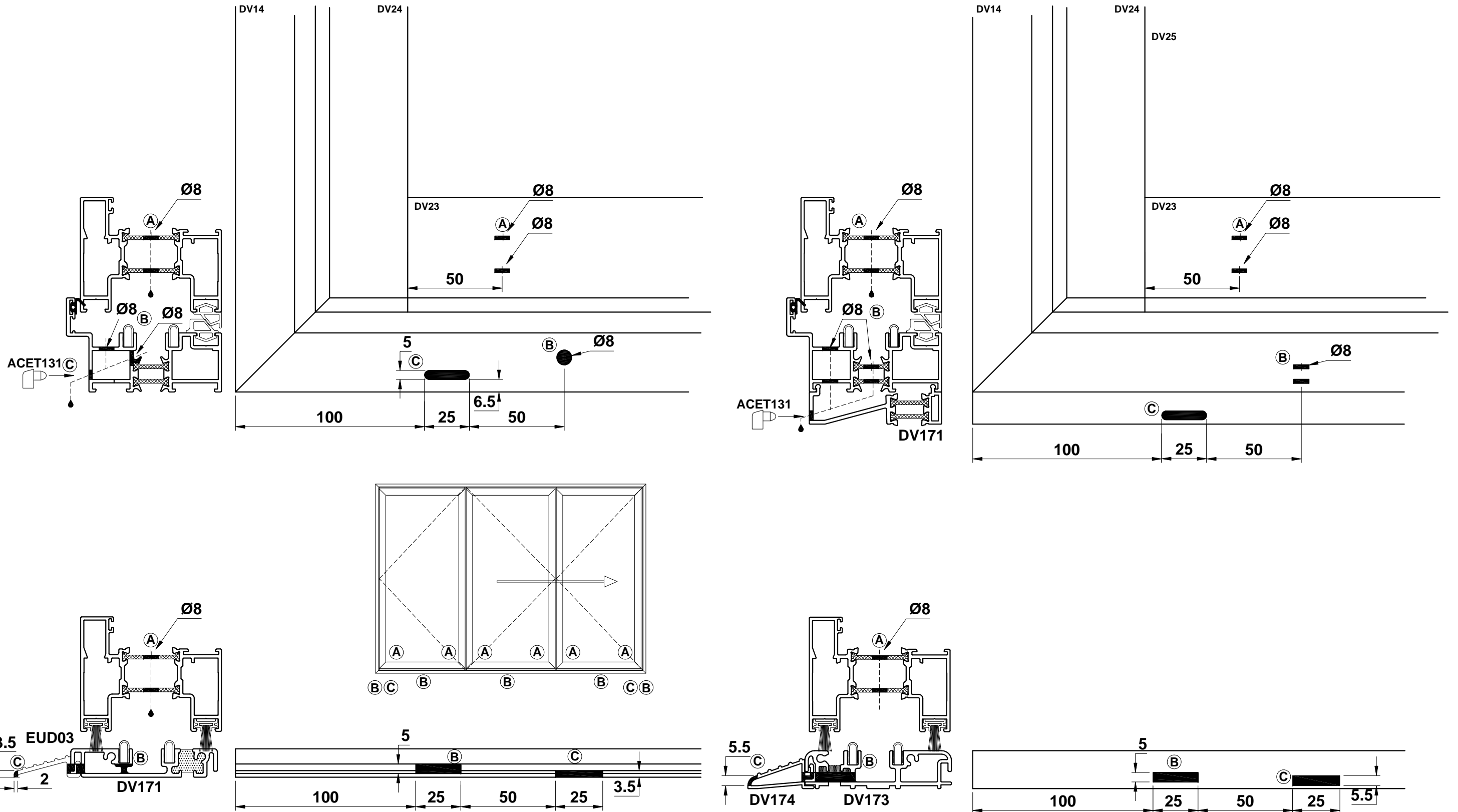
Do Not Scale From This Drawing

Open In - DV14, DV171, DV173 & DV25 Drainage Details



Do Not Scale From This Drawing

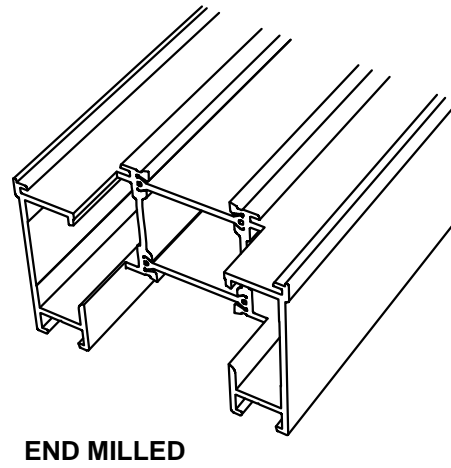
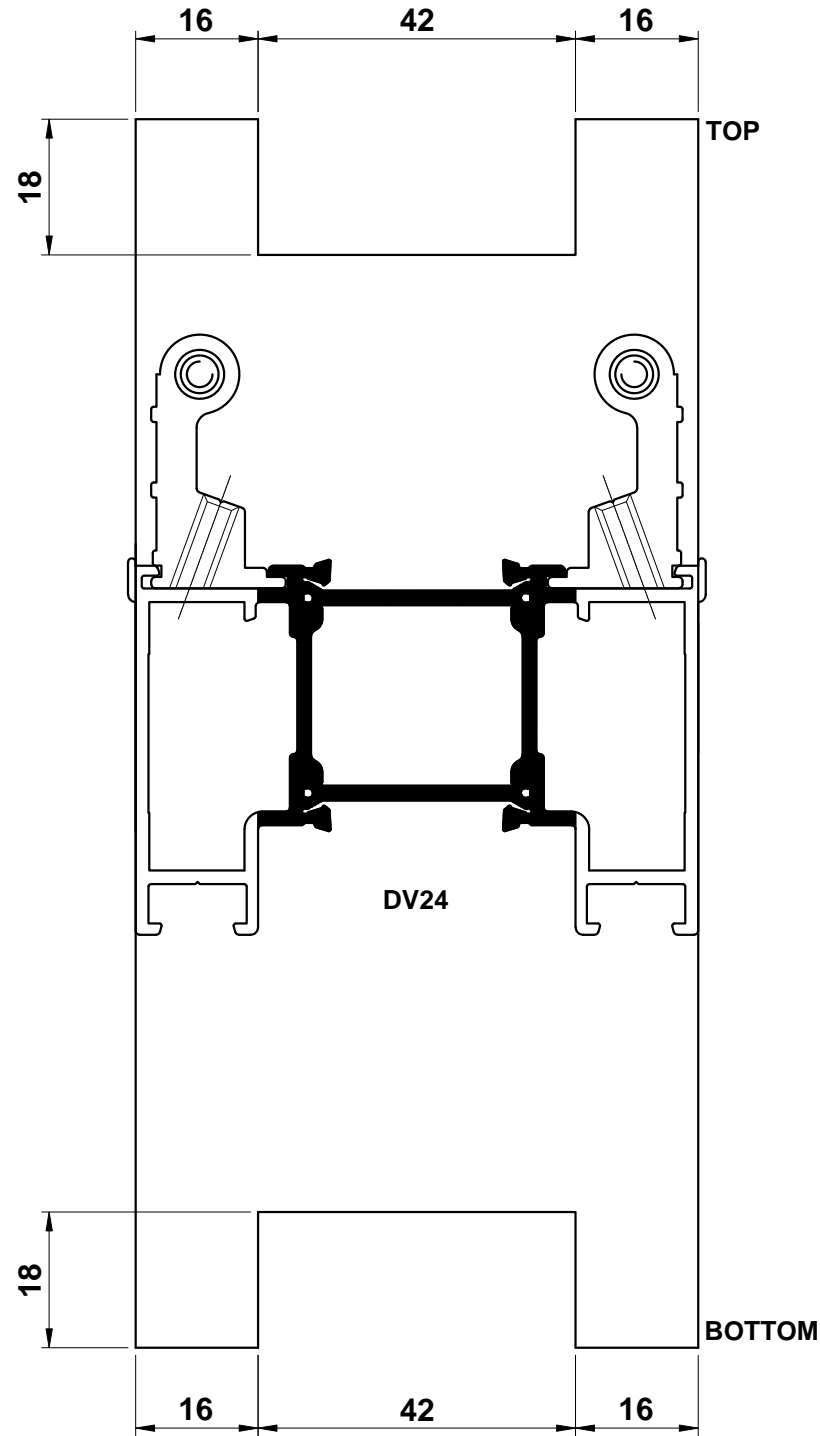
Open In - DV14, DV171, DV173 & DV23 Drainage Details



Do Not Scale From This Drawing

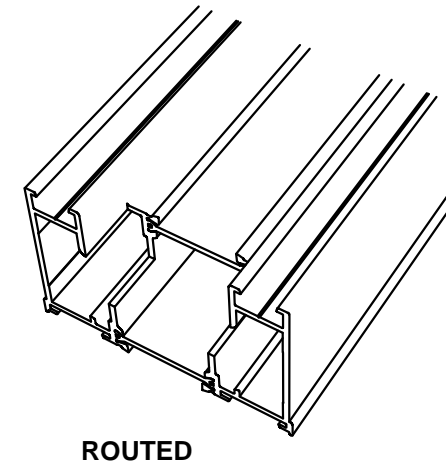
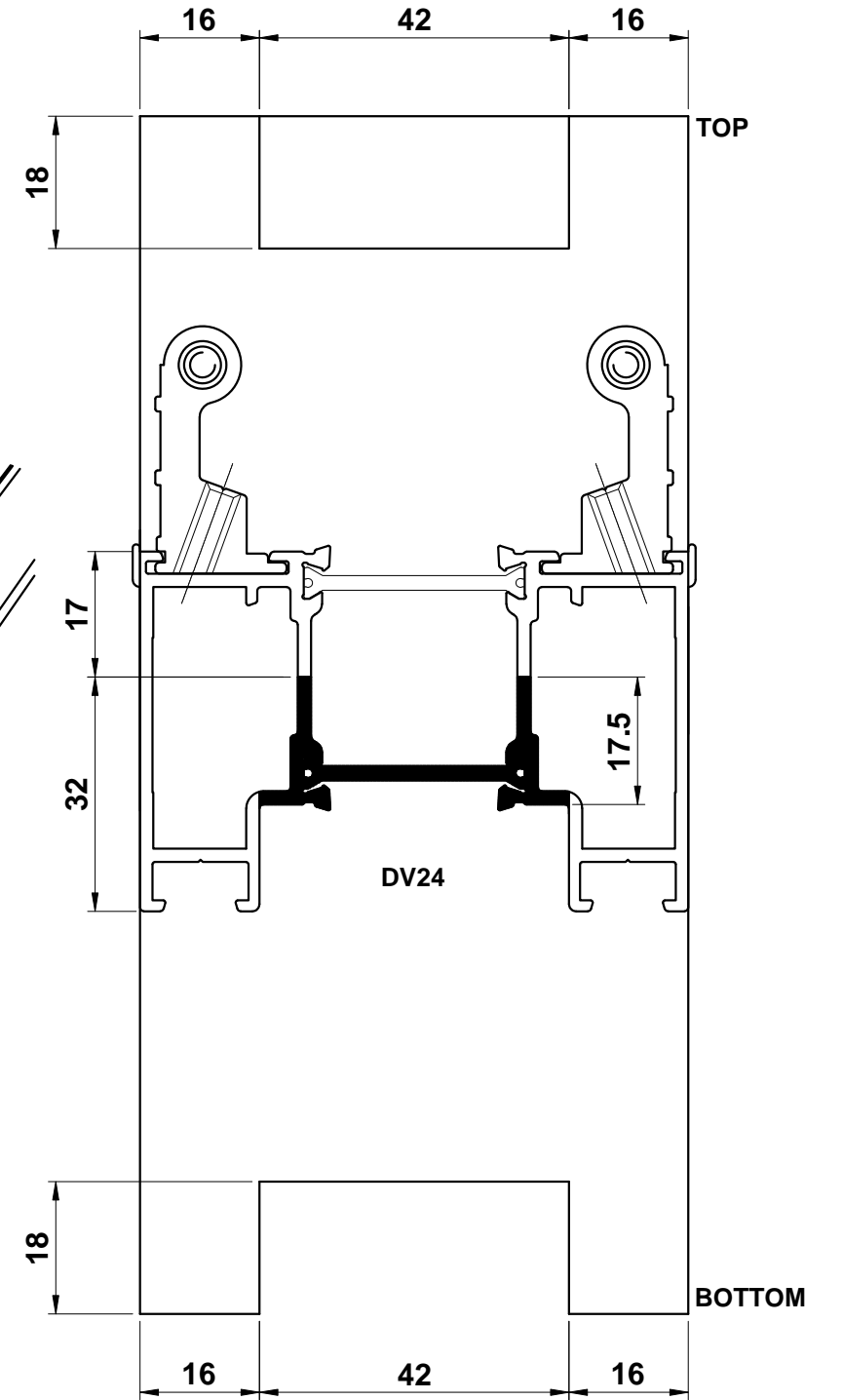
Open In - Stile Preparation

IF USING AN END MILLER, THE BELOW PREP CAN BE USED



END MILLED

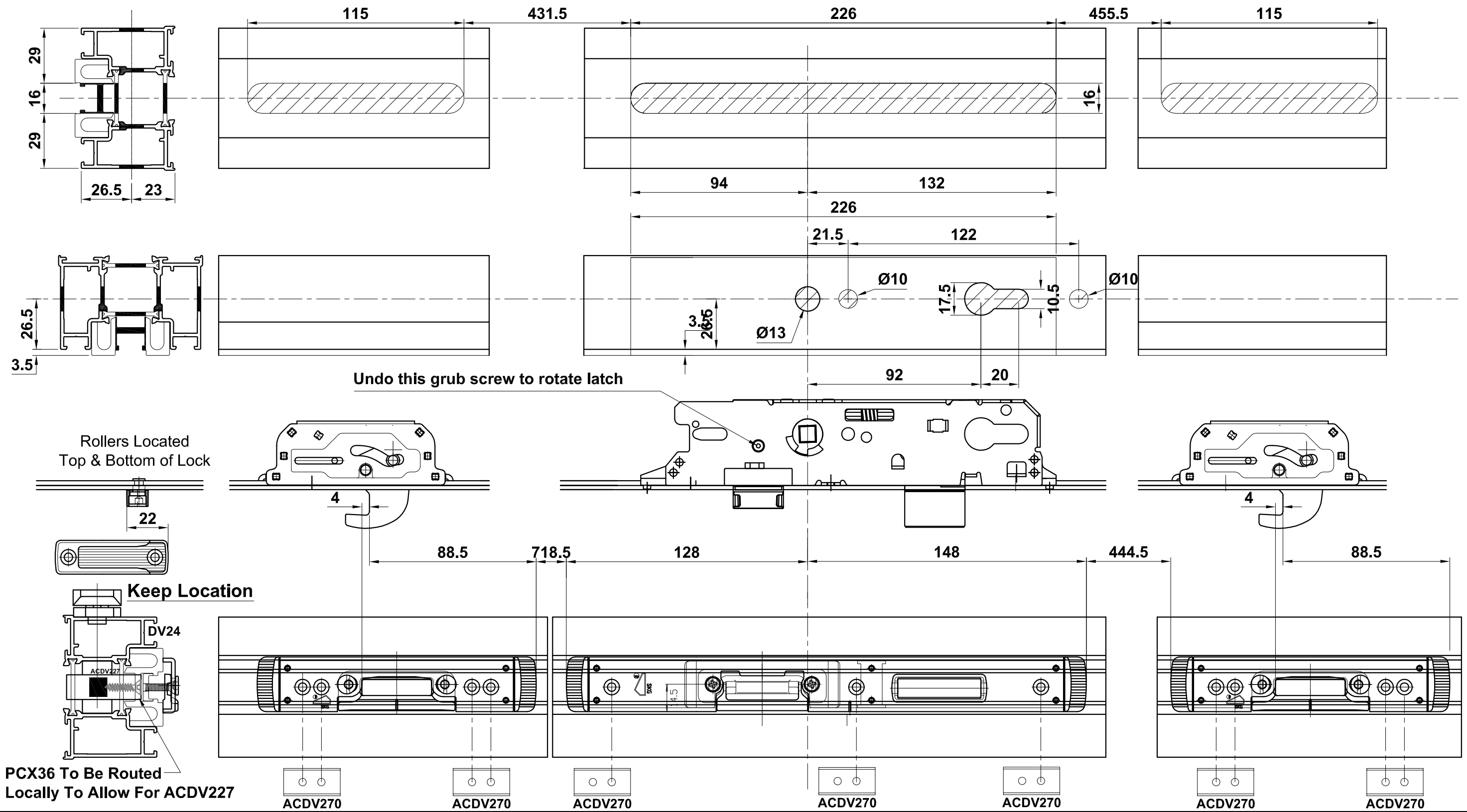
IF USING A ROUTER, THE BELOW PREP CAN BE USED IF PREFERRED



ROUTED

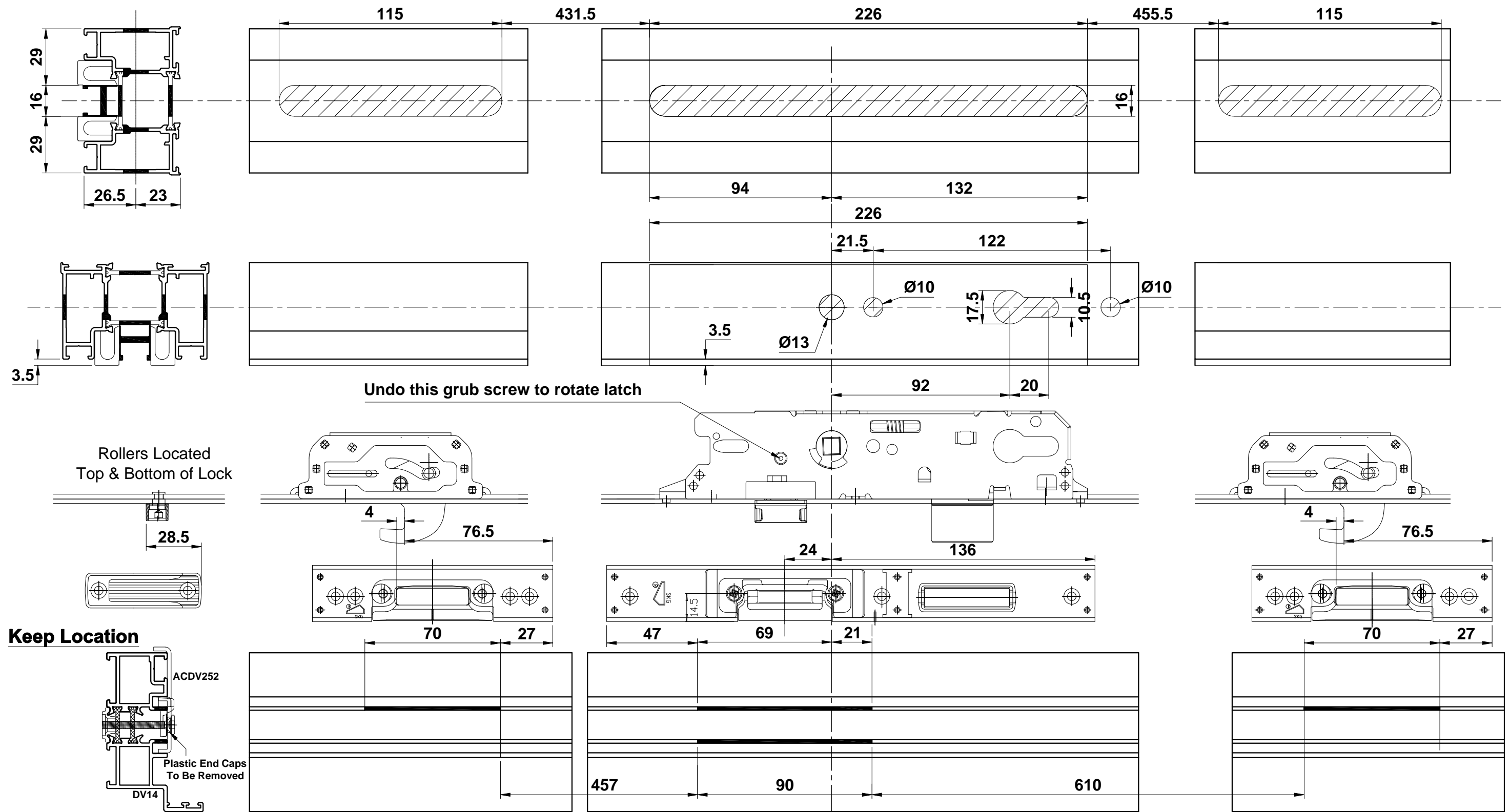
Do Not Scale From This Drawing

Open In - ACDV718/9 Preparation Locking into DV24 with ACDV251 Handle

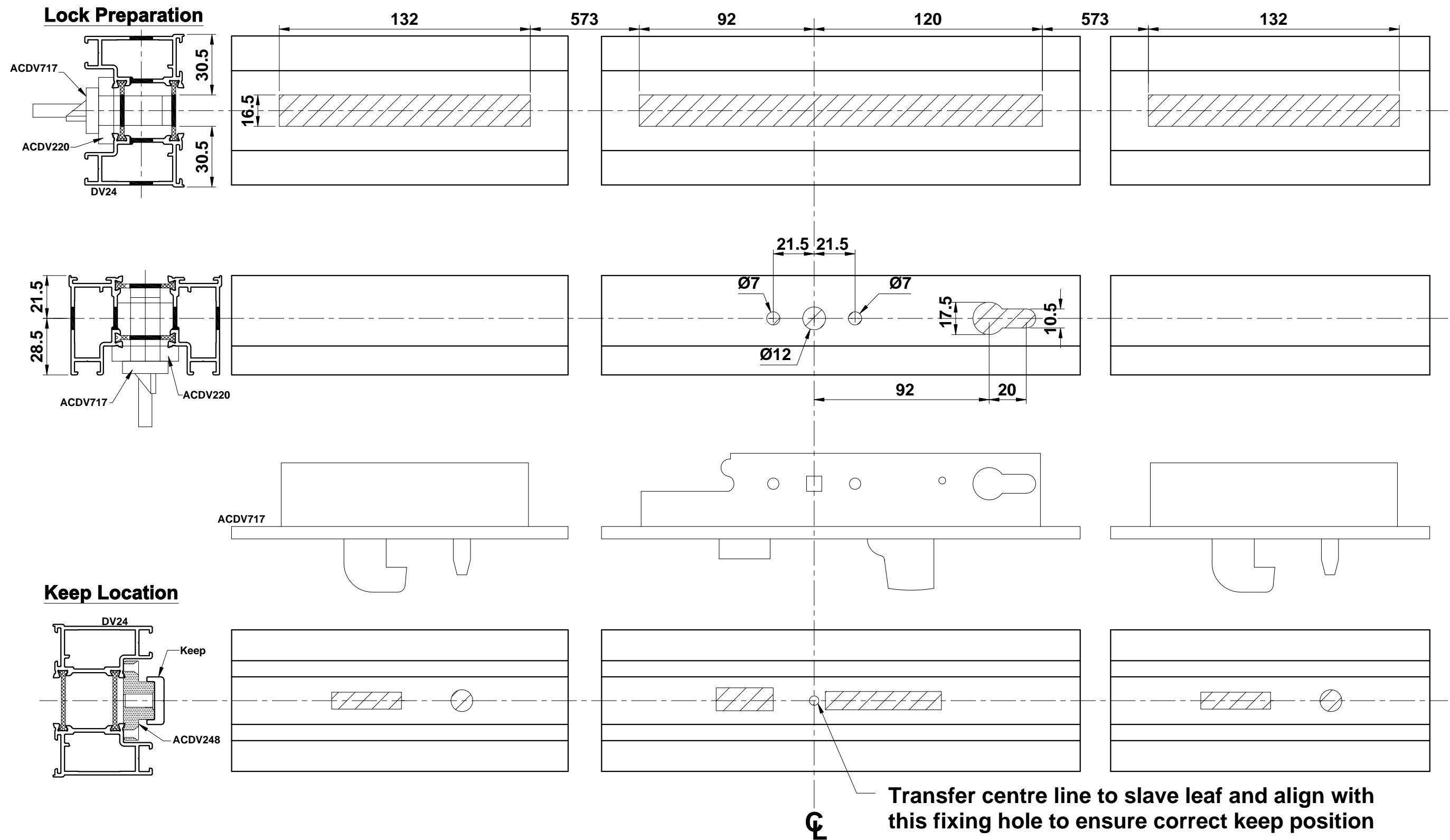


Do Not Scale From This Drawing

Open In - ACDV718/9 Preparation Locking into DV14 with ACDV251 Handle

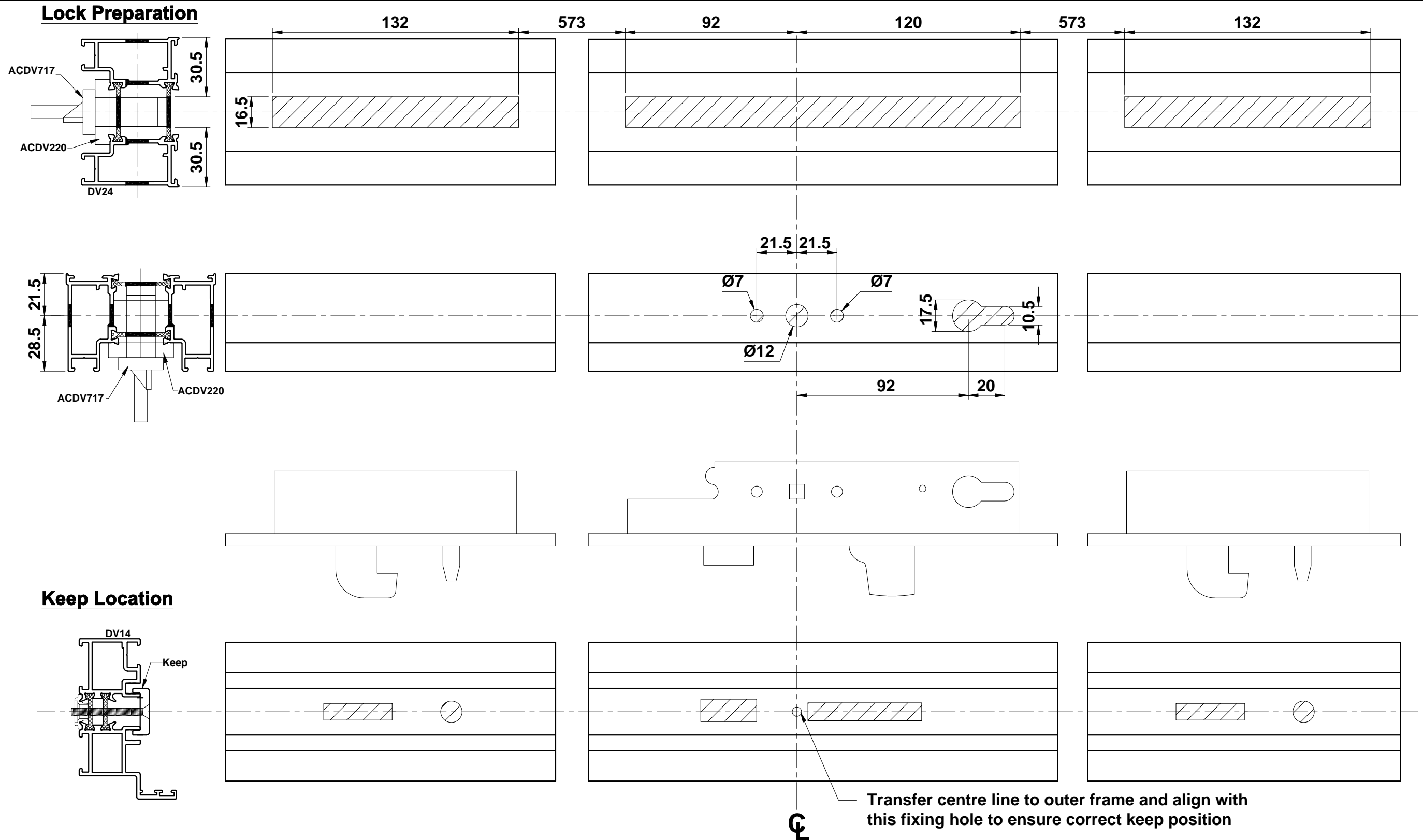


Open In - ACDV717 Preparation Locking into DV24



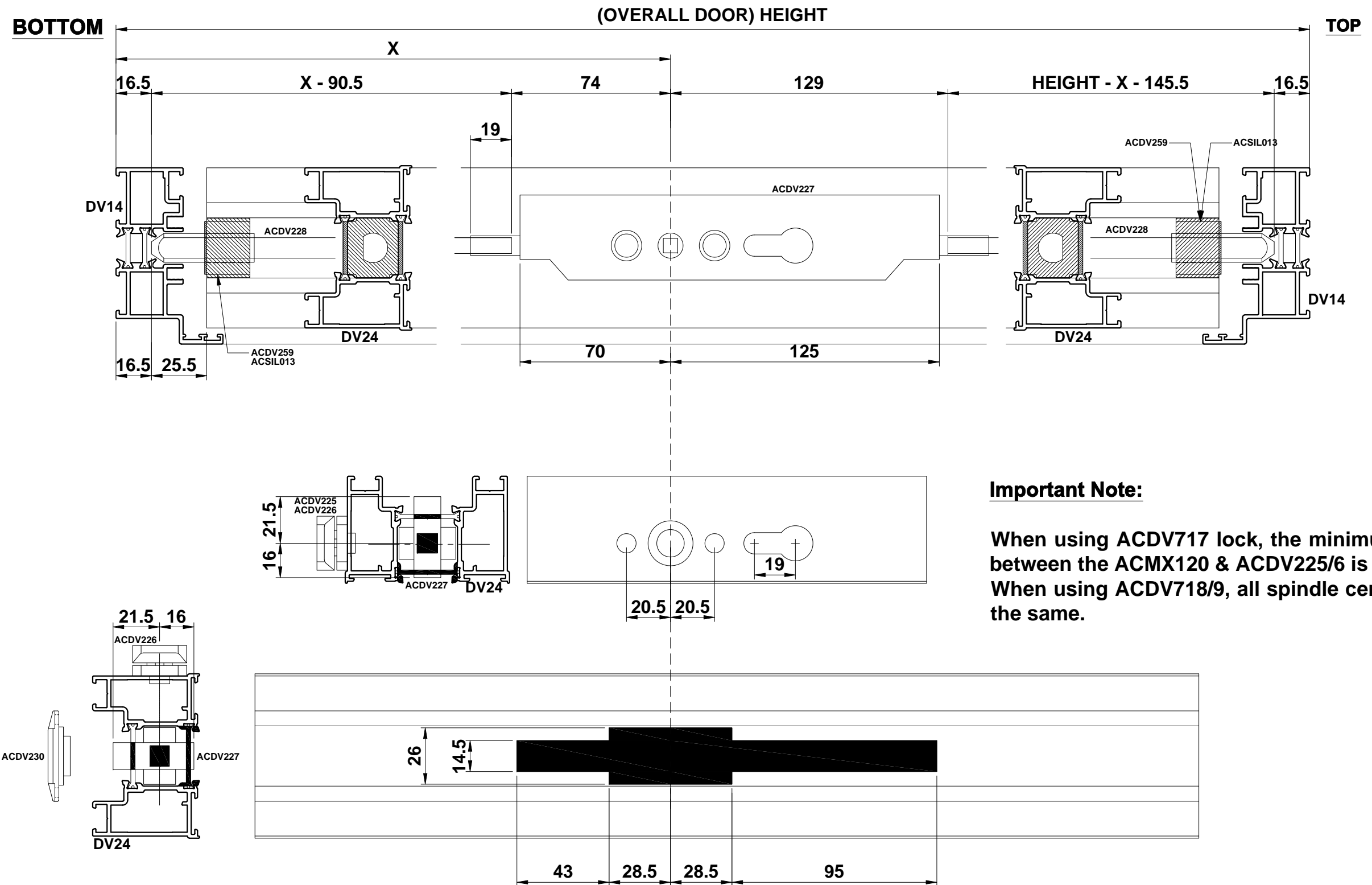
Do Not Scale From This Drawing

Open In - ACDV717 Preparation Locking into DV14



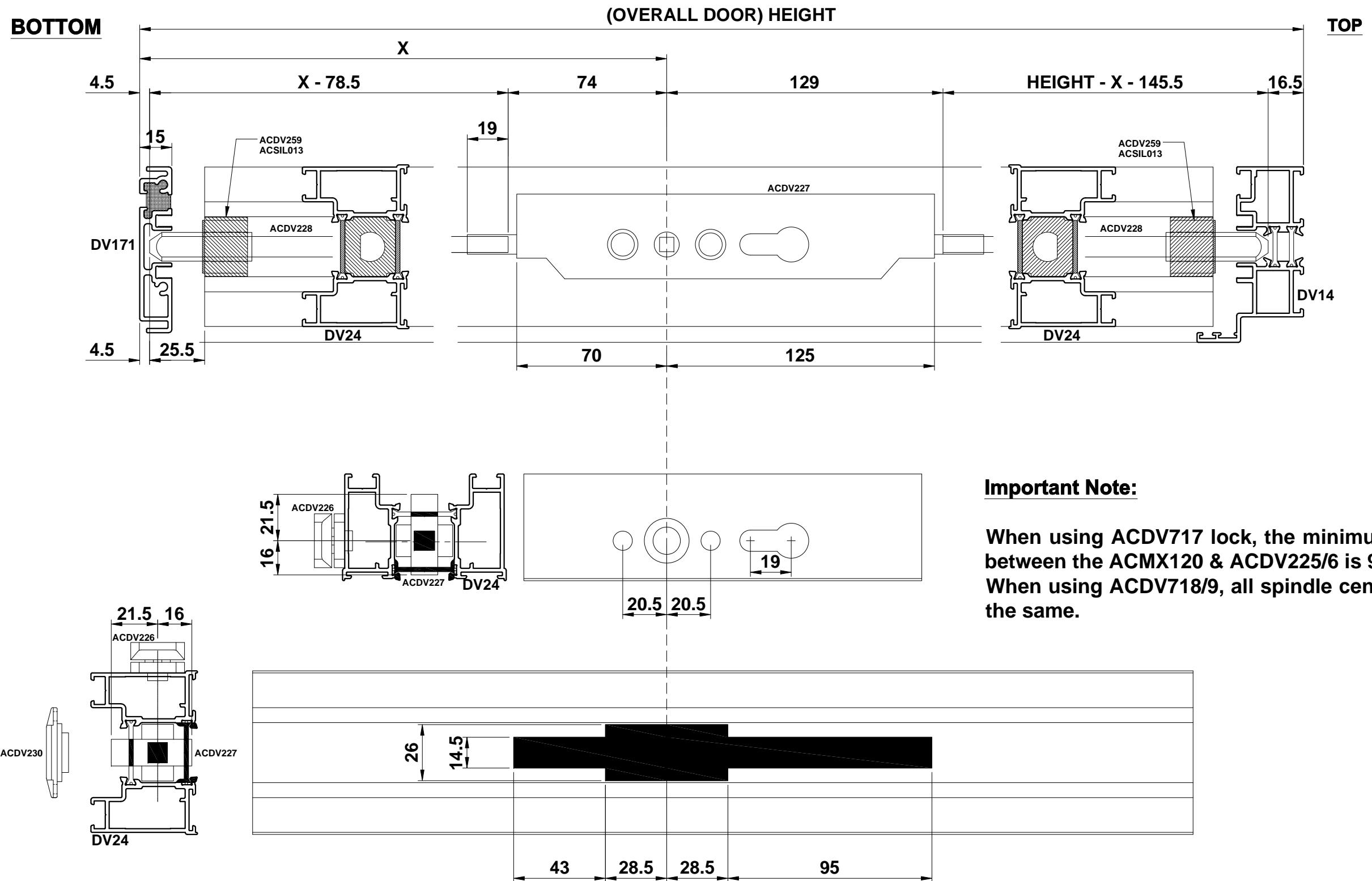
Do Not Scale From This Drawing

Open In - Shootbolt Preparation with DV14 Threshold



Do Not Scale From This Drawing

Open In - Shootbolt Preparation with DV171 Threshold

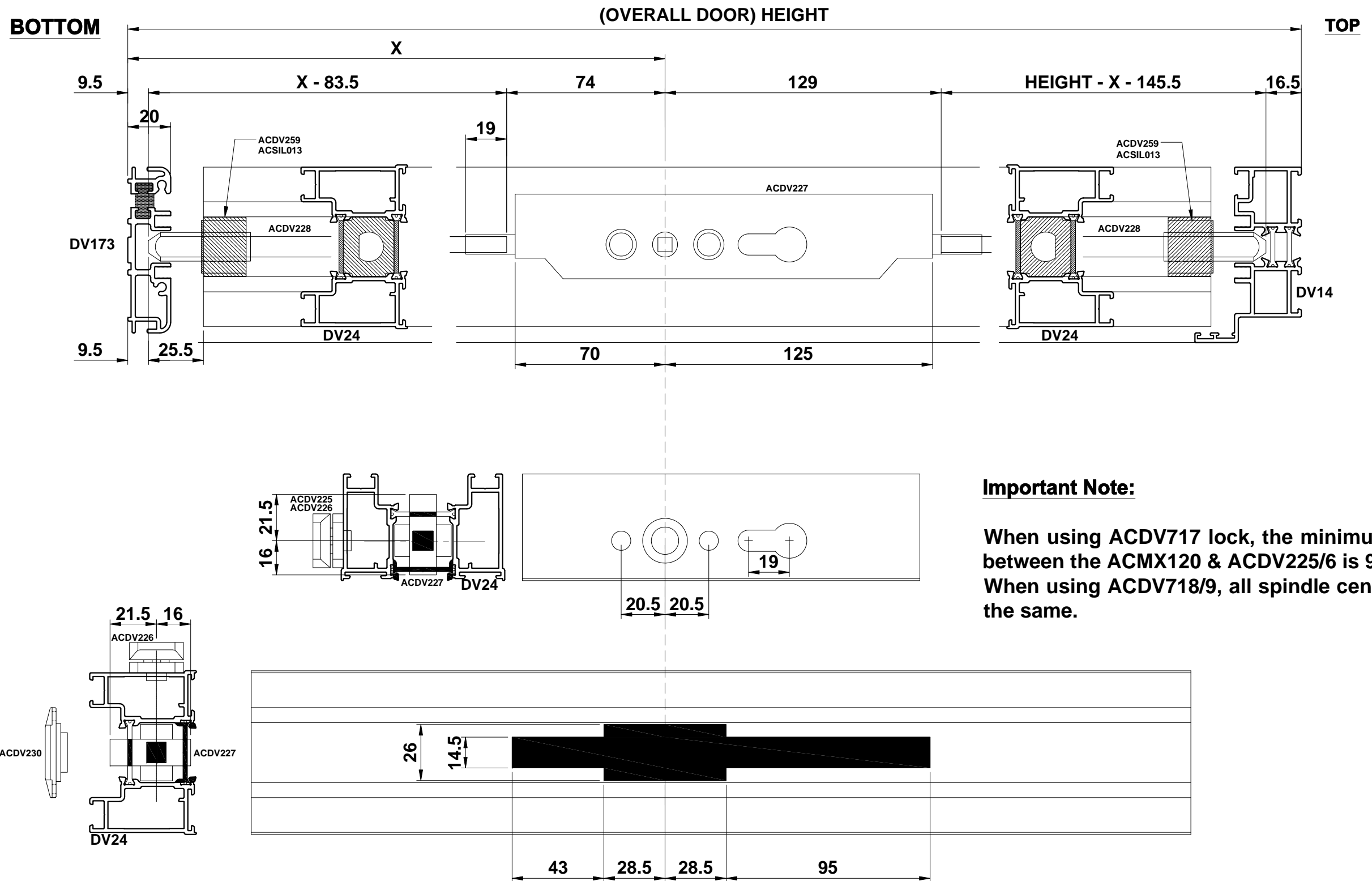


Important Note:

When using ACDV717 lock, the minimum distance between the ACMX120 & ACDV225/6 is 95mm.
When using ACDV718/9, all spindle centres can be the same.

Do Not Scale From This Drawing

Open In - Shootbolt Preparation with DV173 Threshold



Important Note:

When using ACDV717 lock, the minimum distance between the ACMX120 & ACDV225/6 is 95mm.
When using ACDV718/9, all spindle centres can be the same.

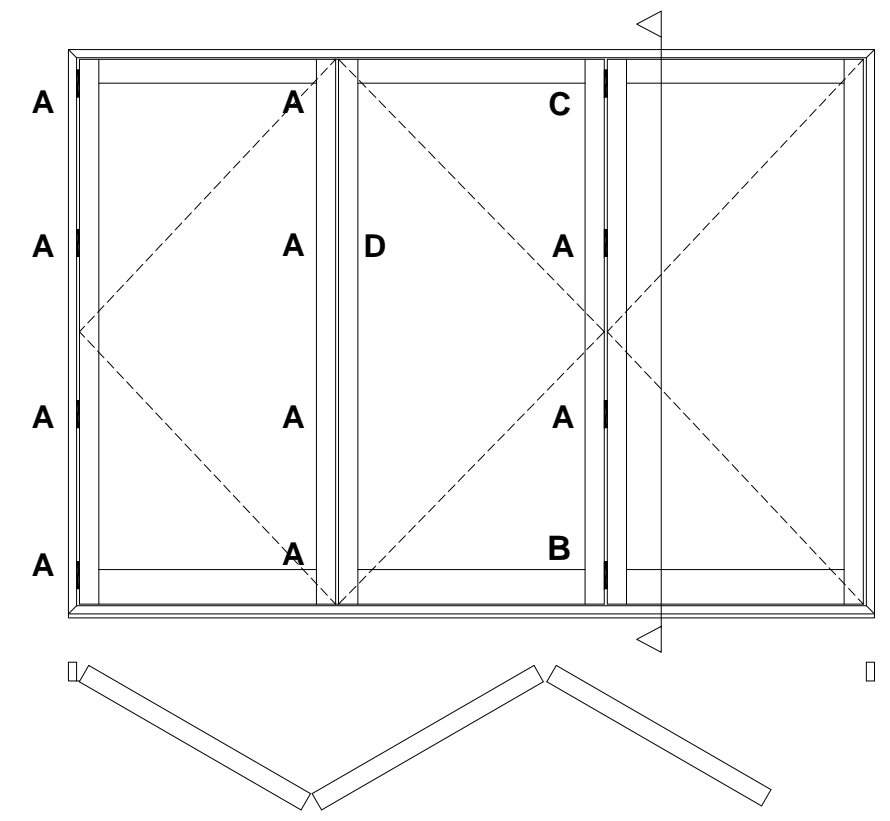
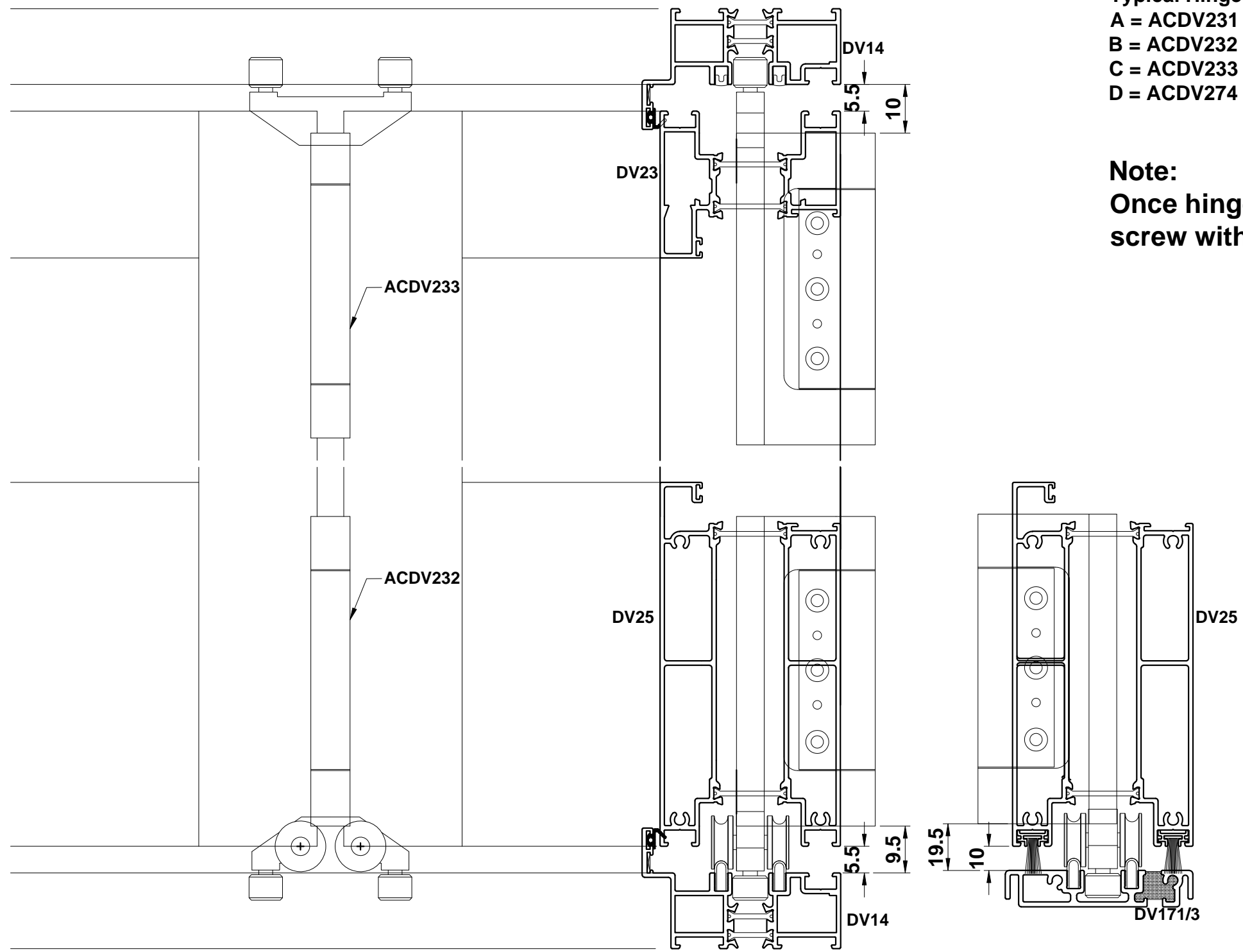
Open In - Hinges

Typical Hinge Layout:

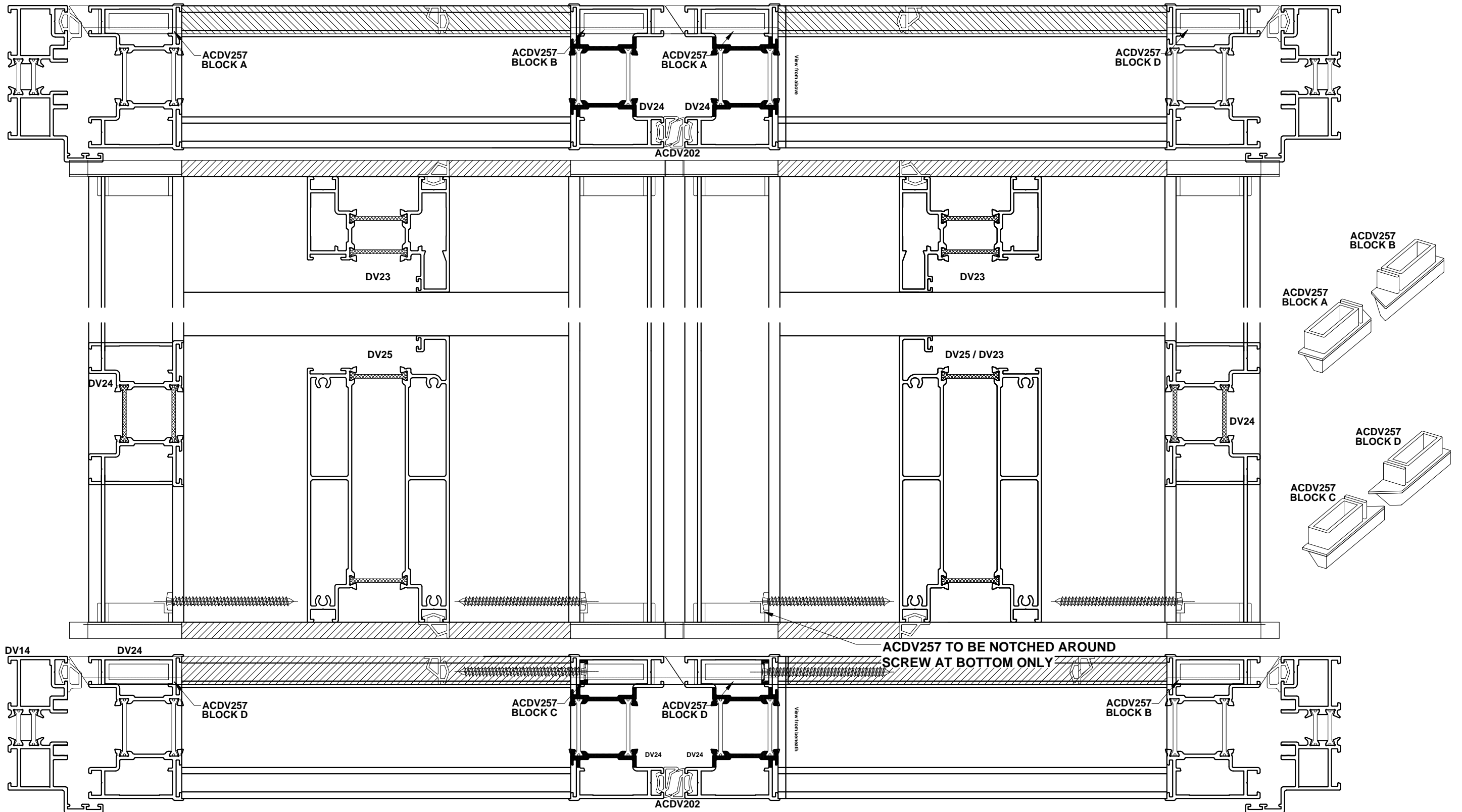
- A = ACDV231 Intermediate Hinge
- B = ACDV232 Bottom Roller Carrier
- C = ACDV233 Top Guide Carrier
- D = ACDV274 'D' Handle

Note:

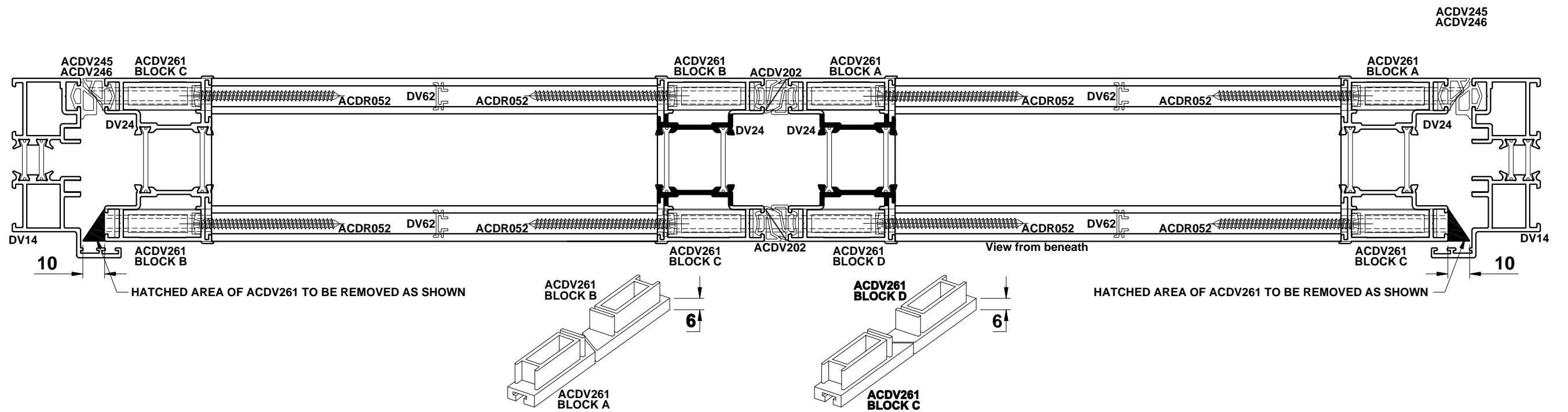
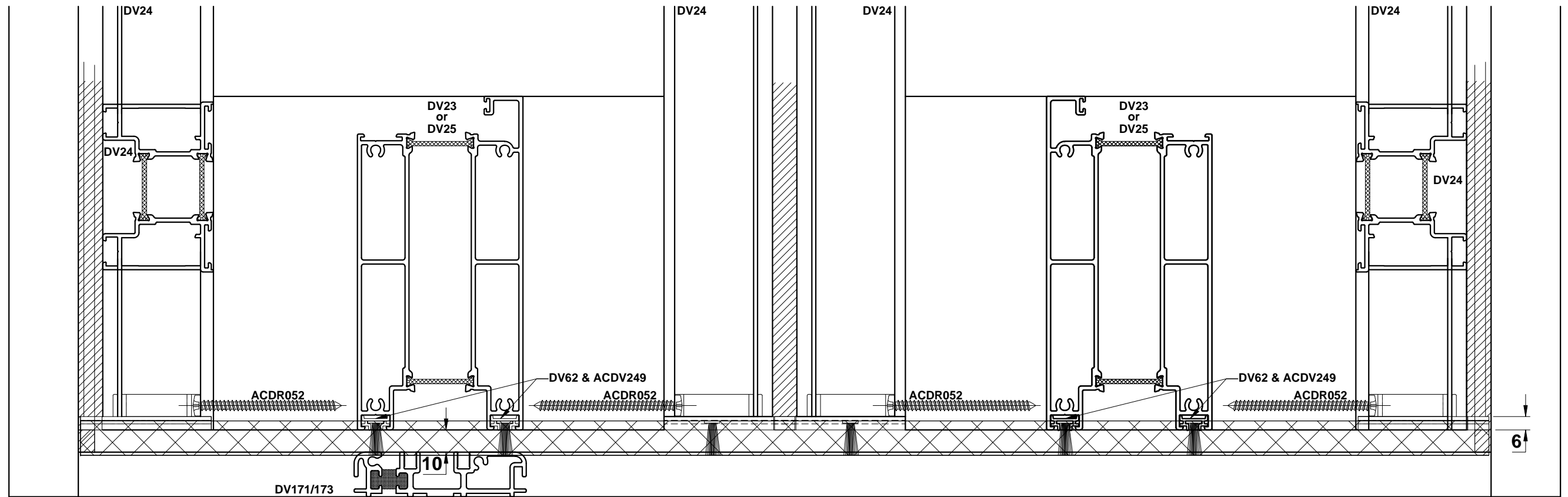
Once hinges are set into position, replace centre machine screw with a self tapping screw for permanent fixing.



Open In - ACDV257 Locations



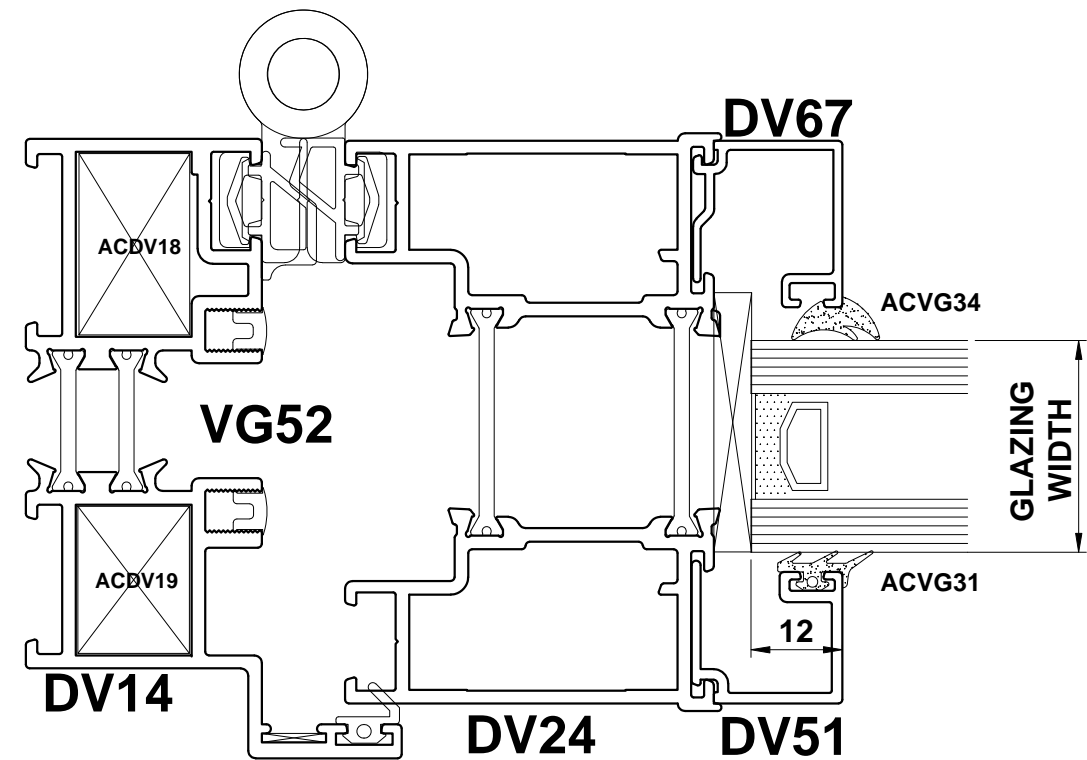
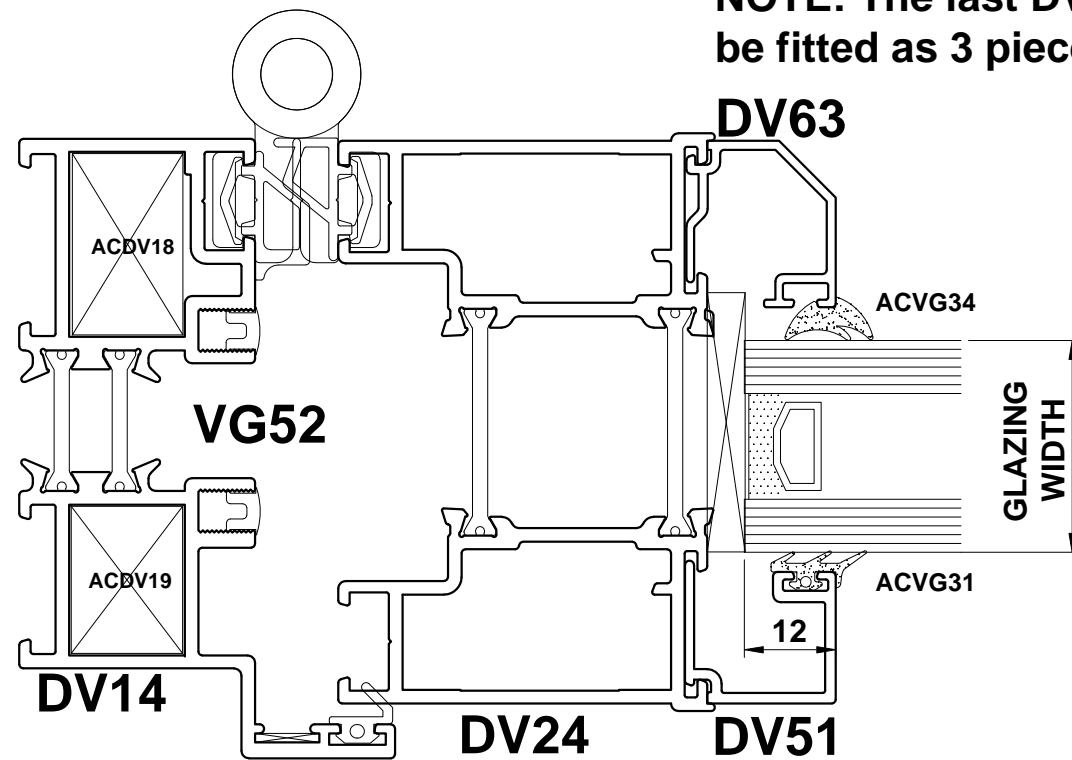
Open In - ACDV261 Positions



Open In - Beads & Glazing

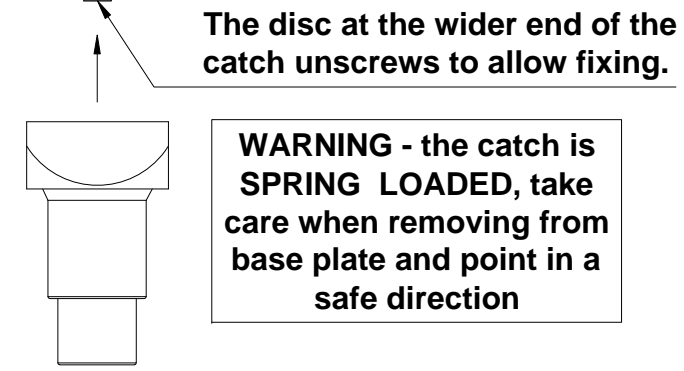
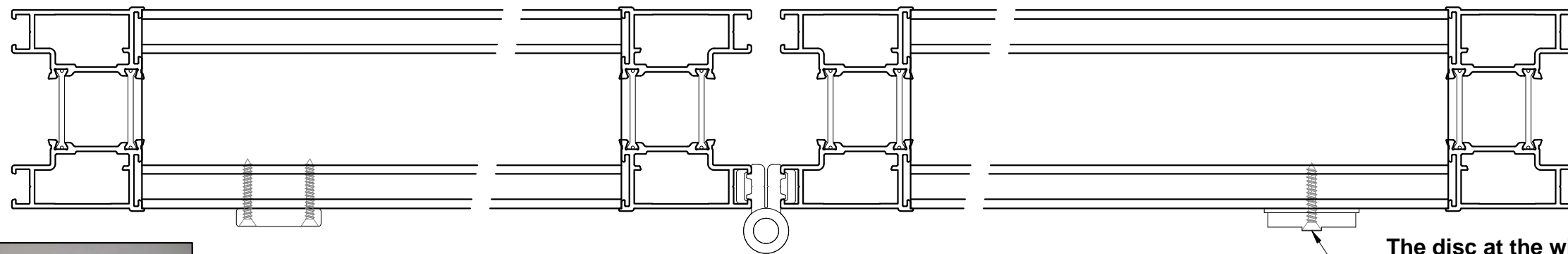
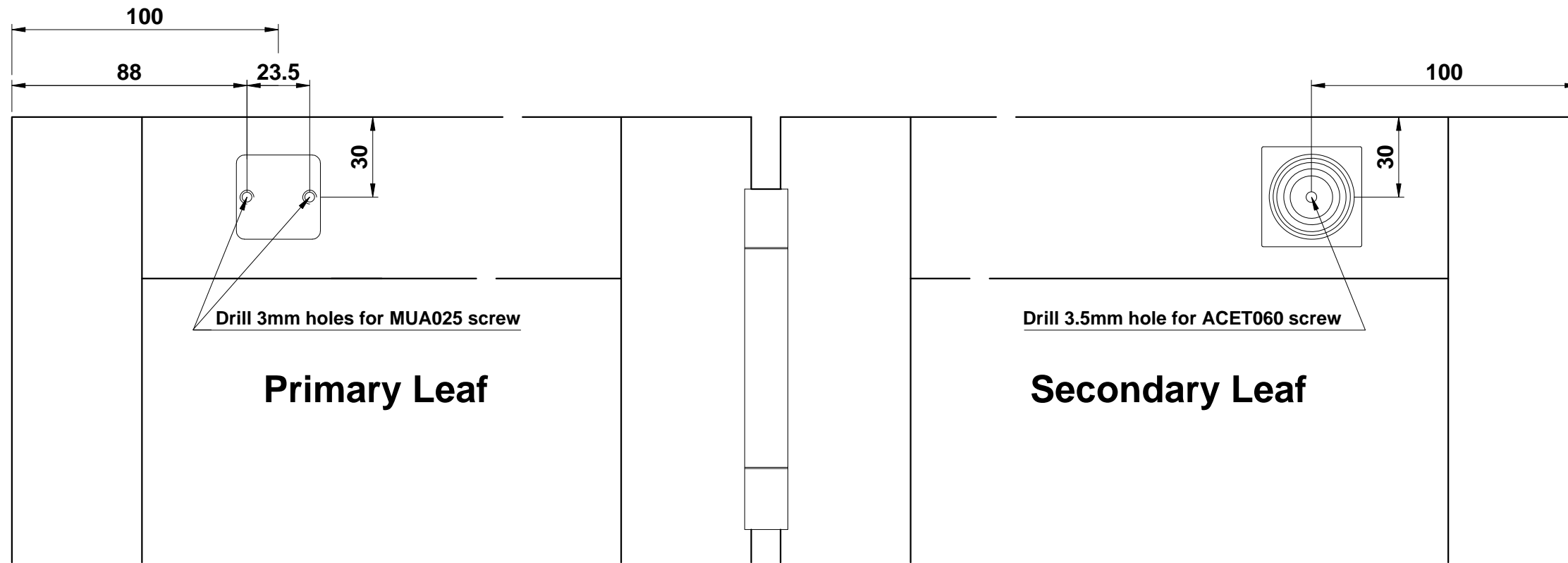
INTERNALLY BEADED

NOTE: The last DV63 bead must be fitted as 3 pieces due to mitre



28mm Only	
BEADS	GASKET
DV63	Outside: ACVG31 3mm 'E' Gasket
DV67	Inside: ACVG34 5mm Wedge Gasket

Open In - ACDV308



Section F

Section F

OPEN OUT

F03 - Type 2e With Rebated Threshold
F04 - Type 2e With Low Threshold
F05 - Type 2e With DV23 & Standard Threshold
F06 - Type 2e With DV23 & Low Threshold
F07 - Type 4e With Standard Threshold
F08 - Type 4e With Low Threshold
F09 - Type 4e With DV23 & Standard Threshold
F10 - Type 4e With DV23 & Low Threshold
F11 - Type 6e With Standard Threshold
F12 - Type 6e With Low Threshold
F13 - Type 6e With DV23 & Standard Threshold
F14 - Type 6e With DV23 & Low Threshold
F15 - Type 7e With Standard Threshold
F16 - Type 7e With Low Threshold
F17 - Type 7e With DV23 & Standard Threshold
F18 - Type 7e With DV23 & Low Threshold
F19 - Single Door With Standard Threshold
F20 - Single Door With Low Threshold
F21 - Single Door With DV23 & Standard Threshold
F22 - Single Door With DV23 & Low Threshold
F23 - Single Door With Standard Threshold
F24 - Single Door With Low Threshold
F25 - Single Door With DV23 & Standard Threshold
F26 - Single Door With DV23 & Low Threshold

OPEN IN

F27 - Type 2i With Rebated Threshold
F28 - Type 2i With Low Threshold
F29 - Type 2i With DV23 & Standard Threshold
F30 - Type 2i With DV23 & Low Threshold
F31 - Type 4i With Standard Threshold
F32 - Type 4i With Low Threshold
F33 - Type 4i With DV23 & Standard Threshold
F34 - Type 4i With DV23 & Low Threshold
F35 - Type 6i With Standard Threshold
F36 - Type 6i With Low Threshold
F37 - Type 6i With DV23 & Standard Threshold
F38 - Type 6i With DV23 & Low Threshold
F39 - Type 7i With Standard Threshold
F40 - Type 7i With Low Threshold
F41 - Type 7i With DV23 & Standard Threshold
F42 - Type 7i With DV23 & Low Threshold
F43 - Single Door With Standard Threshold
F44 - Single Door With Low Threshold
F45 - Single Door With DV23 & Standard Threshold
F46 - Single Door With DV23 & Low Threshold
F47 - Single Door With Standard Threshold
F48 - Single Door With Low Threshold
F49 - Single Door With DV23 & Standard Threshold
F50 - Single Door With DV23 & Low Threshold

Do Not Scale From This Drawing

Type 2e With Rebated Threshold - Open Out

PROFILE CUTTING SCHEDULE

DV14		2	W
DV14		2	H
DV23		3	W/3-133.5
DV24		6	H-84
DV25		3	W/3-133.5
DV51		6	H-295
DV56		1	H-84
DV63 or DV67		6	W/3-135
DV63 or DV67		6	H-261 H-295
DV60		1	H-62
VG52		2	W-62
VG52		4	H-62
VG53		2	W-62
PCX36		1	H-84

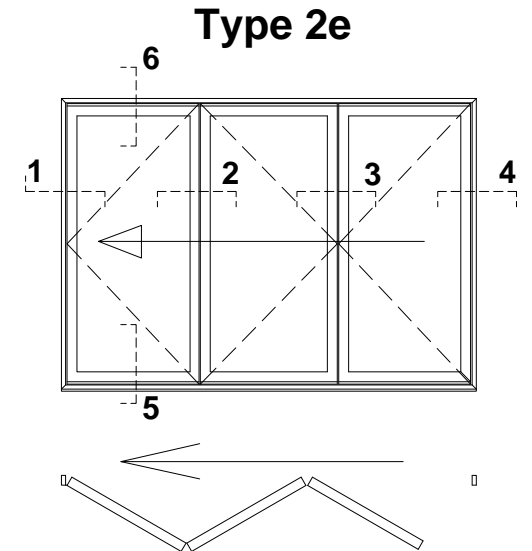
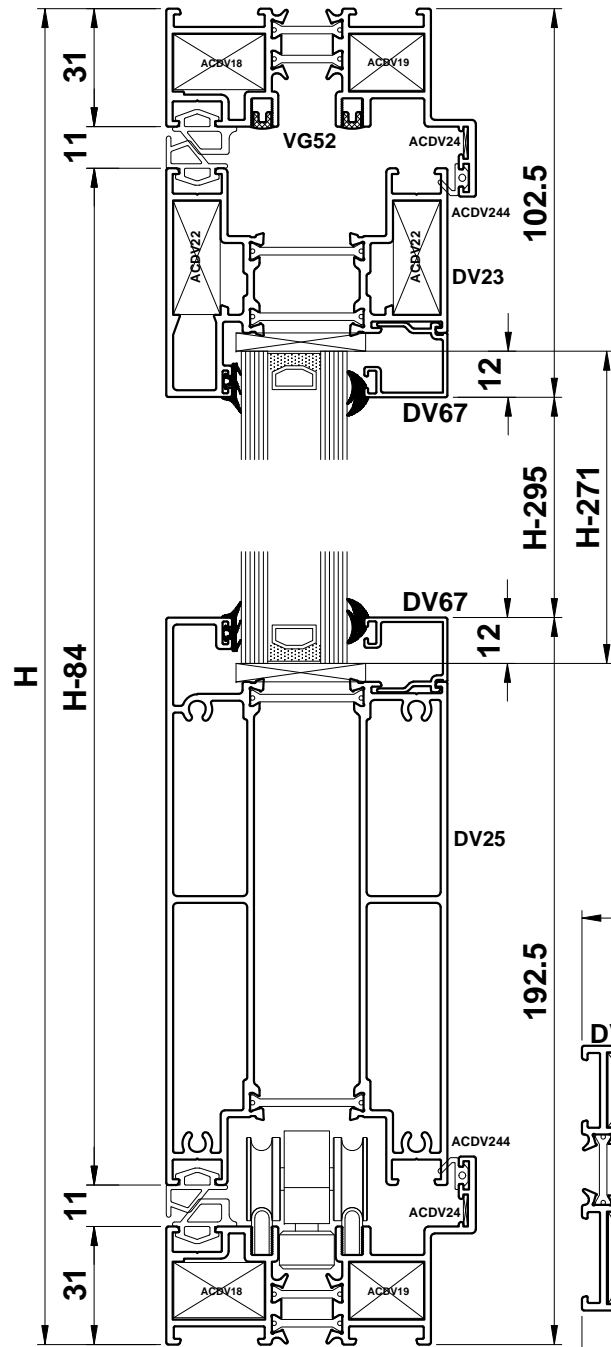
Note: PCX15 required for leaf heights over 2285mm.

GLASS SIZES	3 X	W/3 - 142.5
		H - 271

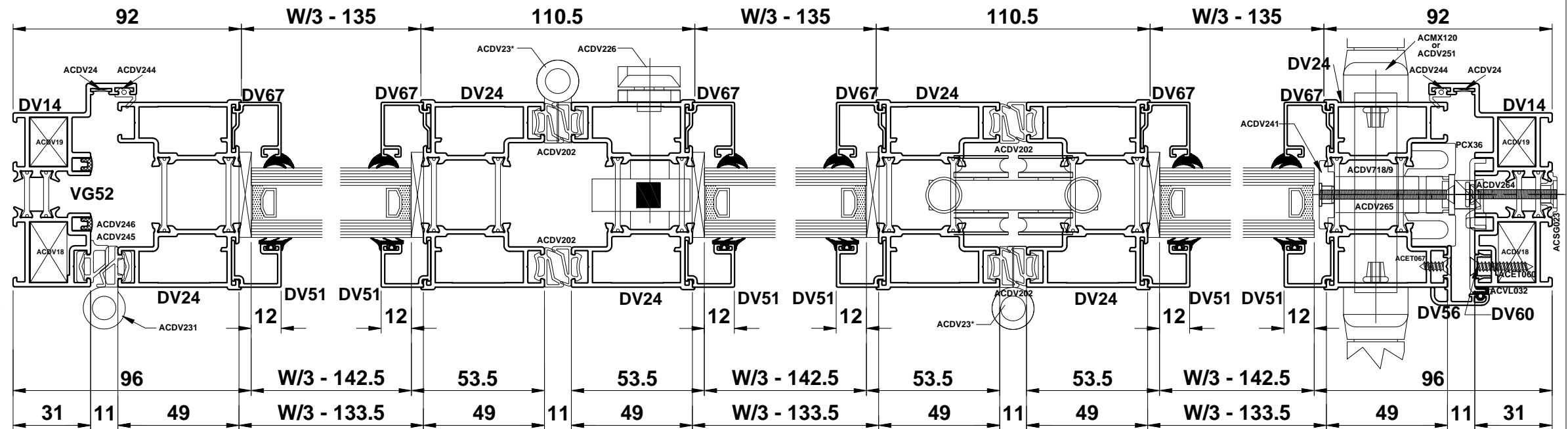
ACCESSORIES

ACDV18	4	CLEAT FOR DV14
ACDV19	4	CLEAT FOR DV14
ACDV22	12	CLEAT FOR DV23
ACDV24	4	CHEVRON FOR DV14
ACDV244	2 x (W-90) + 2 x (H-90)	FLIPPER GASKET
ACDV245	2 x (W-62) + 1 x (H-62)	SEALING GASKET
ACDV202	8 x (H-84)	SEALING GASKET
ACDV246	2 x (W-62) + 1 x (H-62)	SEALING GASKET
ACDV225 or 226	1	SHOOTBOLT HANDLE
ACDV227	1	SHOOTBOLT GEARBOX
ACDV228	1 (PAIR)	SHOOTBOLT ROD
ACDV259	1 (PAIR)	SHOOTBOLT GUIDE
ACDV230	1	SHOOTBOLT COVER
ACDV231	9	INTERMEDIATE HINGE
ACDV232	1	BOTTOM ROLLER HINGE
ACDV233	1	TOP GUIDE HINGE
ACDV234	1	D-HANDLE/HINGE
ACDV718/9	1	MULTI-POINT LOCK
ACDV251	1 (PAIR)	LEVER HANDLES
ACDV56	1 (PAIR)	END CAP FOR DV56
ACDV252	1	KEEP GUIDE
ACDV257	3 (SET OF 4)	INFILL BLOCK
ACMX01603 (SL)	1	HALF CYLINDER
ACDV258 (SL)	1	50/50 CYLINDER
ACET131	2	DRAIN HOLE COVER
ACDV264	11	SCREW FOR KEEPS
ACDV265	11	SCREW FOR LOCK
ACSG023	11	FIXING BLOCK FOR KEEPS
ACDV241	11	FIXING BLOCK FOR LOCK
ACET060	2	SCREW FOR ACDV252
ACET067	11	SCREW FOR DV56
ACET069	14	SCREW FOR ACDV225/6 & DV23

ACDR052	24	SCREW FOR DV25
ACVG31	6 x (W/3-142) + 6 x (H-272)	EXTERNAL GLAZING GASKET
ACVG34	6 x (W/3-142) + 6 x (H-272)	INTERNAL GLAZING GASKET
ACVL032	1 x (H-67)	DV56 FLIPPER GASKET



IMPORTANT NOTE:
Min. Sash Width 700mm / Max. Vent Width 1000mm
Max. Sash Weight 100kg
Max. Sash Height 2400mm Dependant On Site Conditions
Always Measure In the Last Vent.



Do Not Scale From This Drawing

Type 2e With Low Threshold - Open Out

PROFILE CUTTING SCHEDULE (DV171)

DV14		1	W
DV14		2	H
DV171		1	W-66
EUD03		1	W-66
EUD03		1	W-99
DV23		3	W/3-133.5
DV24		6	H-73
DV25		3	W/3-133.5
DV51		6	H-278
DV56		1	H-73
DV63 or DV67		6	W/3-135
DV63 or DV67		6	H-244
DV60		1	H-46
DV62		6	W/3-133.5
VG52		2	W-62
VG52		4	H-42
VG53		2	W-66
PCX36		1	H-73

PROFILE CUTTING SCHEDULE (DV173)

DV173		1	W-66
DV174		1	W-66
DV174		1	W-99
DV24		6	H-78
DV51		6	H-283
DV56		1	H-78
DV63 or DV67		6	H-249
DV60		1	H-51
PCX36		1	H-78

Note: PCX15 required for leaf heights over 2285mm.

ACCESSORIES

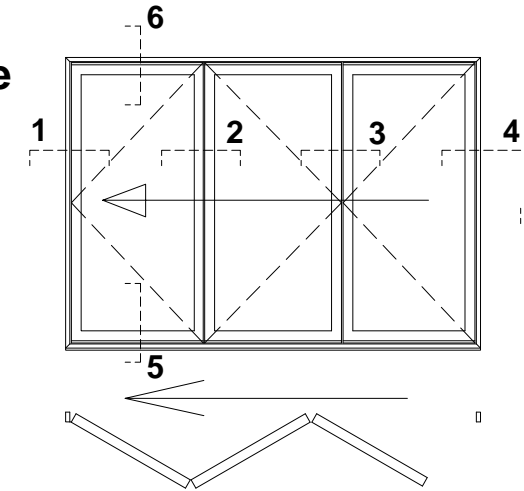
ACDV18	2	CLEAT FOR DV14
ACDV19	2	CLEAT FOR DV14
ACDV22	12	CLEAT FOR DV23
ACDV24	2	CHEVRON FOR DV14
ACDV244	1 x (W-90) + 2 x (H-60)	FLIPPER GASKET
ACDV245	1 x (W-62) + 1 x (H-46)	SEALING GASKET
ACDV202	8 x (H-67)	SEALING GASKET
ACDV246	1 x (W-62) + 1 x (H-46)	SEALING GASKET
ACDV225 or 226	1	SHOOTBOLT HANDLE
ACDV227	1	SHOOTBOLT GEARBOX
ACDV228	1 (PAIR)	SHOOTBOLT ROD
ACDV259	1 (PAIR)	SHOOTBOLT GUIDE
ACDV230	1	SHOOTBOLT COVER
ACDV231	9	INTERMEDIATE HINGE
ACDV232	1	BOTTOM ROLLER HINGE
ACDV233	1	TOP GUIDE HINGE
ACDV234	1	D-HANDLE/HINGE
ACDV718/9	1	MULTI-POINT LOCK
ACDV251	1 (PAIR)	LEVER HANDLES
ACDV56	1 (PAIR)	END CAP FOR DV56
ACDV252	1	KEEP GUIDE
ACMX01603 (SL)	1	HALF CYLINDER
ACDV171/173	2	END CAPS FOR DV171/173
ACDV258 (SL)	1	50/50 CYLINDER
ACDV264	11	SCREW FOR KEEP
ACDV265	11	SCREW FOR LOCK
ACSG023	11	FIXING BLOCK FOR KEEPS
ACET060	2	SCREW FOR ACDV252
ACDV241	11	FIXING BLOCK FOR LOCK
ACET067	11	SCREW FOR DV56
ACET069	14	SCREW FOR ACDV225/6 & DV23

IMPORTANT NOTE:

Min. Sash Width 700mm / Max. Vent Width 1000mm
Max. Sash Weight 100kg
Max. Sash Height 2400mm Dependant On Site Conditions
Always Measure In the Last Vent.

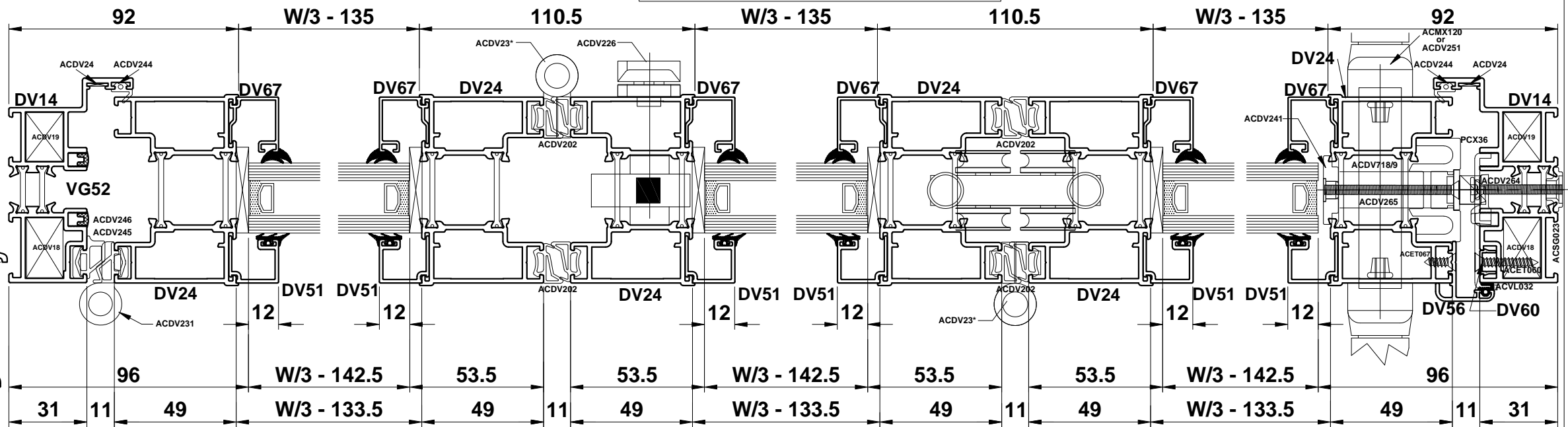
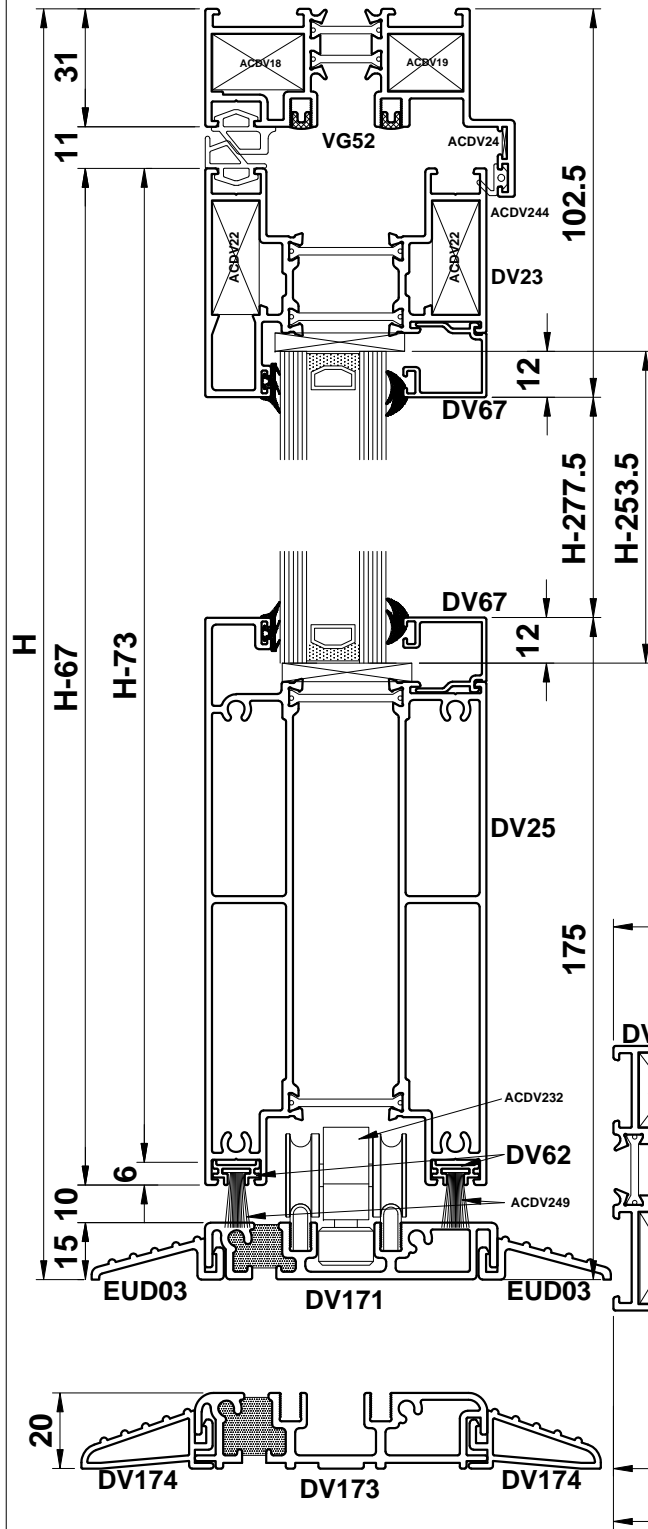
ACDR052	28	SCREW FOR DV25 & DV171/3
ACDV257	2 (SET OF 4)	INFILL BLOCK
ACVG31	6 x (W/3-142) + 6 x (H-254)	EXTERNAL GLAZING GASKET
ACVG34	6 x (W/3-142) + 6 x (H-254)	INTERNAL GLAZING GASKET
ACDV249	6 x (W/3-35.5)	WOOLPILE
ACVL032	1 x (H-67)	DV56 FLIPPER GASKET
ACDV261	3 (SET OF 4)	INFILL BLOCK

Type 2e



GLASS DEDUCTIONS

DV171	3 x	W/3 - 142.5	H - 254
DV173	3 x	W/3 - 142.5	H - 259



Do Not Scale From This Drawing

Type 2e With DV23 & Low Threshold - Open Out

PROFILE CUTTING SCHEDULE (DV171)

DV14		1	W
DV14		2	H
DV171		1	W-66
EUD03		1	W-66
EUD03		1	W-99
DV23		6	W/3-133.5
DV24		6	H-73
DV51		6	H-278
DV56		1	H-73
DV63 or DV67		6	W/3-135
DV63 or DV67		6	H-244
DV60		1	H-46
DV62		6	W/3-133.5
VG52		2	W-62
VG52		4	H-42
VG53		2	W-66
PCX36		1	H-73

PROFILE CUTTING SCHEDULE (DV173)

DV173		1	W-66
DV174		1	W-66
DV174		1	W-99
DV24		6	H-78
DV51		6	H-188
DV56		1	H-72
DV63 or DV67		6	H-222
DV60		1	H-51
PCX36		1	H-78

Note: PCX15 required for leaf heights over 2285mm.

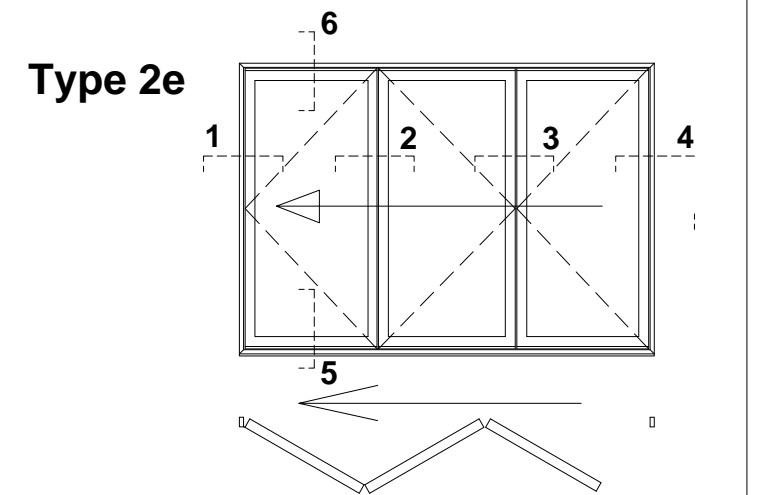
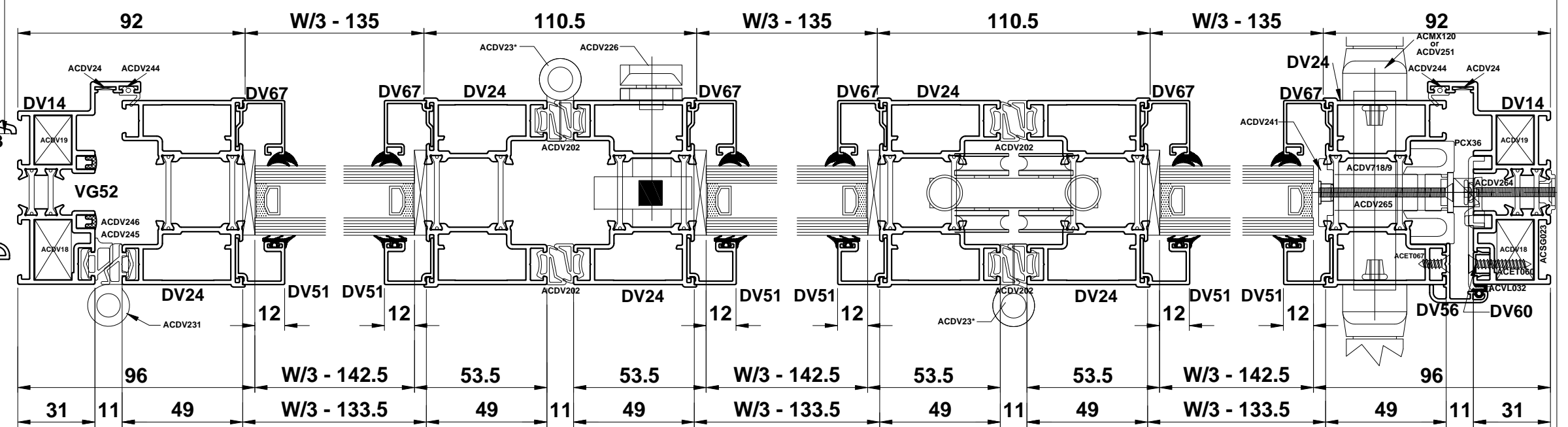
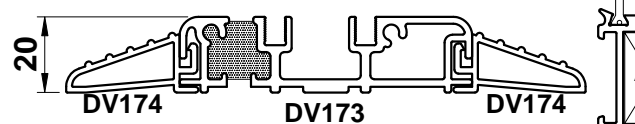
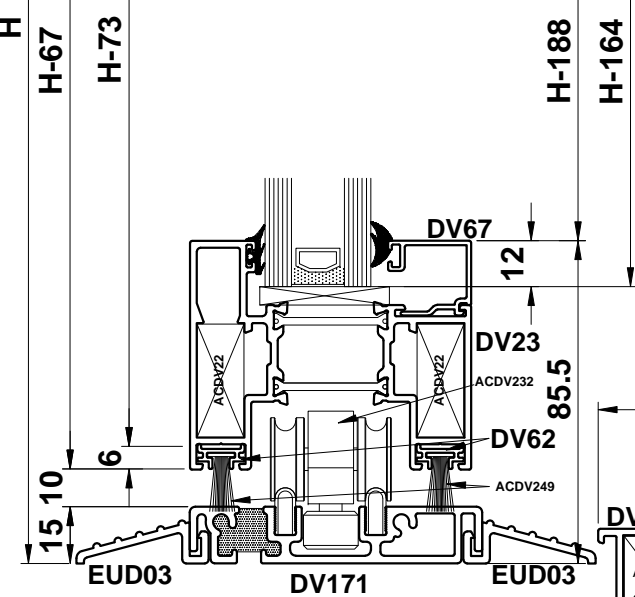
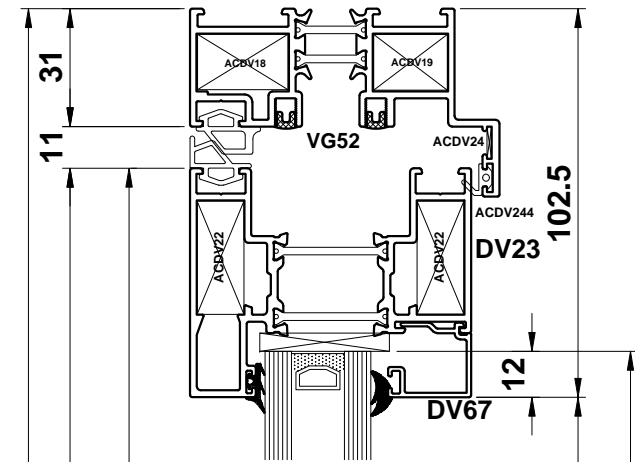
ACCESSORIES

ACDV18	2	CLEAT FOR DV14
ACDV19	2	CLEAT FOR DV14
ACDV22	24	CLEAT FOR DV23
ACDV24	2	CHEVRON FOR DV14
ACDV244	1 x (W-90) + 2 x (H-60)	FLIPPER GASKET
ACDV245	1 x (W-62) + 1 x (H-46)	SEALING GASKET
ACDV202	8 x (H-67)	SEALING GASKET
ACDV246	1 x (W-62) + 1 x (H-46)	SEALING GASKET
ACDV225 or 226	1	SHOOTBOLT HANDLE
ACDV227	1	SHOOTBOLT GEARBOX
ACDV228	1 (PAIR)	SHOOTBOLT ROD
ACDV259	1 (PAIR)	SHOOTBOLT GUIDE
ACDV230	1	SHOOTBOLT COVER
ACDV231	9	INTERMEDIATE HINGE
ACDV232	1	BOTTOM ROLLER HINGE
ACDV233	1	TOP GUIDE HINGE
ACDV234	1	D-HANDLE/HINGE
ACDV718/9	1	MULTI-POINT LOCK
ACDV251	1 (PAIR)	LEVER HANDLES
ACDV56	1 (PAIR)	END CAP FOR DV56
ACDV252	1	KEEP GUIDE
ACDV257	4 (SET OF 4)	INFILL BLOCK
ACDV171/173	1 (PAIR)	END CAPS FOR DV171/173
ACMX01603 (SL)	1	HALF CYLINDER
ACDV258 (SL)	1	CYLINDER
ACET060	2	SCREW FOR ACDV252
ACDV264	11	SCREW FOR KEEPS
ACDV265	11	SCREW FOR LOCK
ACDV241	11	FIXING BLOCK FOR LOCK
ACET067	11	SCREW FOR DV56

IMPORTANT NOTE:

Min. Sash Width 700mm / Max. Vent Width 1000mm
Max. Sash Weight 100kg
Max. Sash Height 2400mm Dependant On Site Conditions
Always Measure In the Last Vent.

ACDR052	4	SCREW FOR DV25 & DV171
ACET069	26	SCREW FOR ACDV225/6 & DV23
ACVG31	6 x (W/3-142) + 6 x (H-164)	EXTERNAL GLAZING GASKET
ACVG34	6 x (W/3-142) + 6 x (H-164)	INTERNAL GLAZING GASKET
ACDV249	6 x (W/3-35.5)	WOOLPILE
ACVL032	1 x (H-67)	DV56 FLIPPER GASKET
ACDV261	3 (SET OF 4)	INFILL BLOCK
ACSG023	11	FIXING PLATE FOR KEEP



GLASS DEDUCTIONS

DV171	3 x	W/3 - 142.5	H - 164
DV173	3 x	W/3 - 142.5	H - 169

Do Not Scale From This Drawing

Type 4e With Standard Threshold - Open Out

PROFILE CUTTING SCHEDULE

DV14		2	W
DV14		2	H
DV23		4	W/4-129.5
DV24		8	H-84
DV25		4	W/4-129.5
DV51		8	H-295
DV56		2	H-84
DV63 or DV67		8	W/4-131
DV63 or DV67		8	H-261 H-295
VG52		2	W-62
VG52		4	H-62
VG53		2	W-62
DV68		2	H-84
PCX15		1	H-84
PCX36		2	H-84

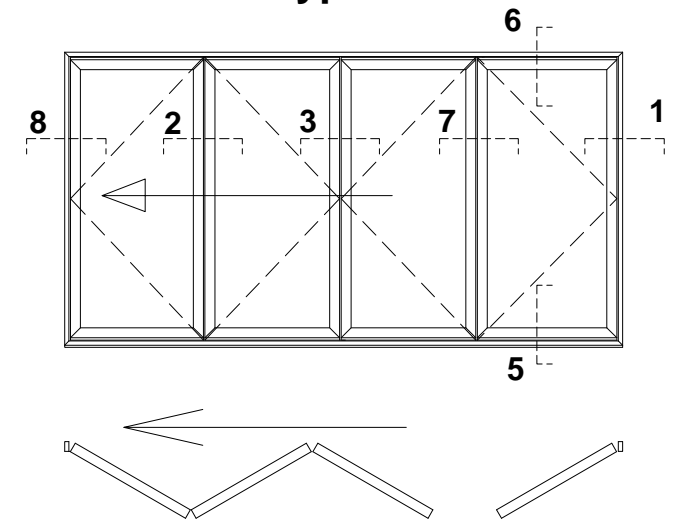
Note: PCX15 required for master door if leaf height is over 2285mm.

GLASS DEDUCTIONS	W/4 - 139
4 X	H - 271

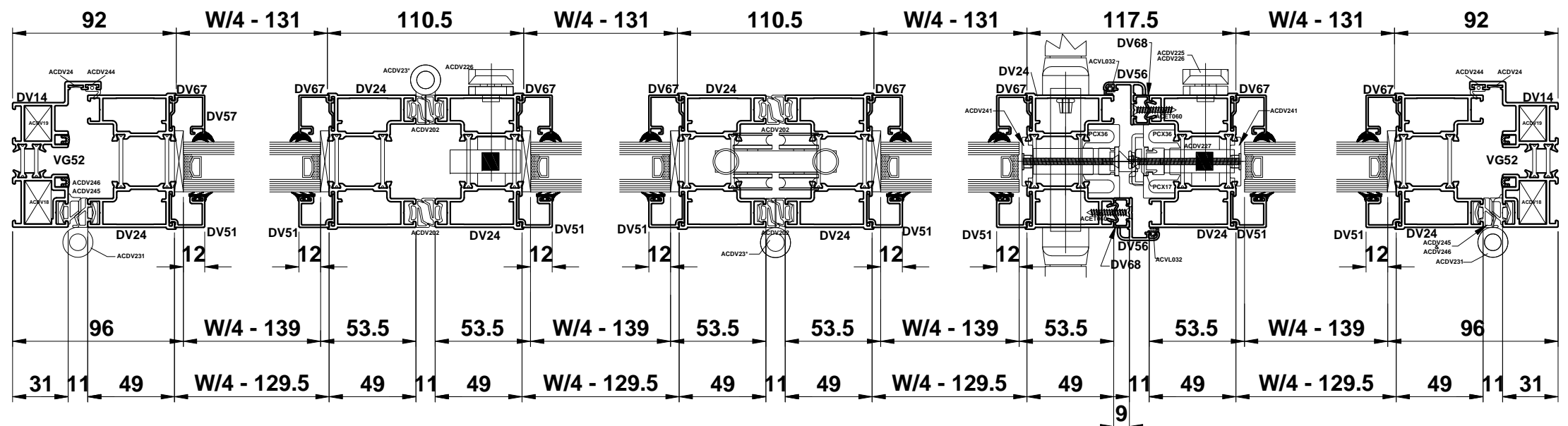
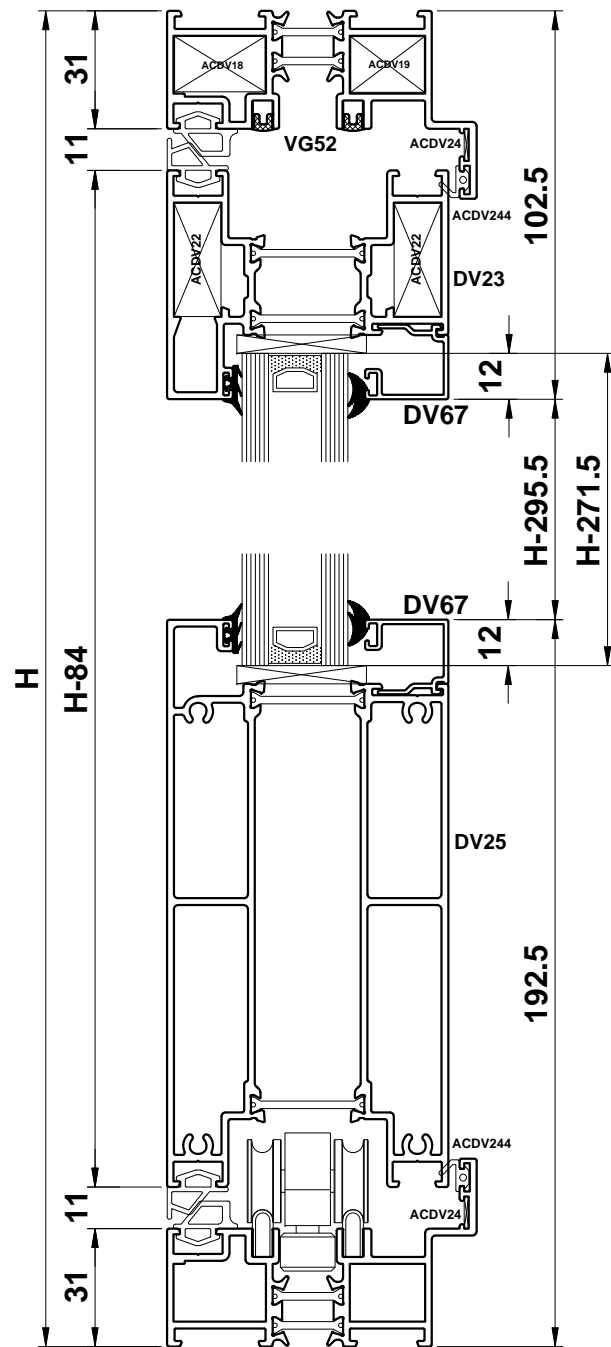
ACCESSORIES

ACDV18	4	CLEAT FOR DV14
ACDV19	4	CLEAT FOR DV14
ACDV22	16	CLEAT FOR DV23
ACDV24	4	CHEVRON FOR DV14
ACDV244	2 x (W-90) + 2 x (H-90)	FLIPPER GASKET
ACDV245	2 x (W-62) + 2 x (H-62)	SEALING GASKET
ACDV202	8 x (H-84)	SEALING GASKET
ACDV246	2 x (W-62) + 2 x (H-62)	SEALING GASKET
ACDV225 or 226	2	SHOOTBOLT HANDLE
ACDV227	2	SHOOTBOLT GEARBOX
ACDV228	2 (PAIRS)	SHOOTBOLT ROD
ACDV259	2 (PAIRS)	SHOOTBOLT GUIDE
ACDV230	1	SHOOTBOLT COVER
ACDV231	13	INTERMEDIATE HINGE
ACDV232	1	BOTTOM ROLLER HINGE
ACDV233	1	TOP GUIDE HINGE
ACDV234	1	D-HANDLE/HINGE
ACDV220	1	PACKER FOR LOCK
ACDV718/9	1	MULTI-POINT LOCK
ACDV251	1 (PAIR)	LEVER HANDLES
ACDV56	2 (PAIRS)	END CAP FOR DV56
ACDV257	4 (SET OF 4)	INFILL BLOCK
ACMX01603 (SL)	2	HALF CYLINDER
ACDV258 (SL)	1	50/50 CYLINDER
ACET131	2	DRAIN HOLE COVER
ACET060	24	SCREW FOR ACDV253 & DV56
ACDV241	22	FIXING BLOCK FOR LOCK & KEEPS
ACDV265	22	FIXING SCREW FOR LOCK & KEEPS
ACET069	20	SCREW FOR ACDV225/6 & DV23
ACDR052	32	SCREW FOR DV25
ACVG31	8 x (W/4-137) + 8 x (H-271)	EXTERNAL GLAZING GASKET
ACVG34	6 x (W/4-137) + 6 x (H-271)	INTERNAL GLAZING GASKET

Type 4e

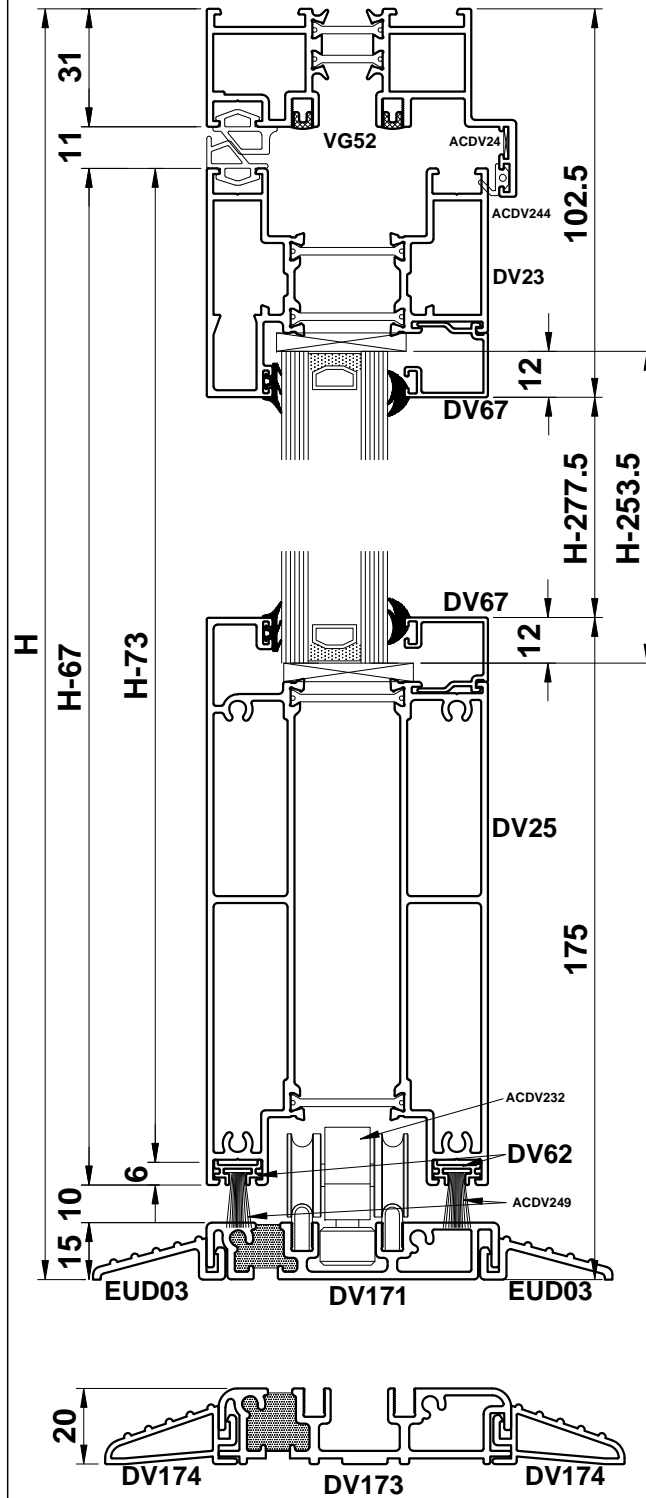


IMPORTANT NOTE:
Min. Sash Width 700mm / Max. Vent Width 1000mm
Max. Sash Weight 100kg
Max. Sash Height 2400mm Dependant On Site Conditions
Always Measure In the Last Vent.



Do Not Scale From This Drawing

Type 4e With Low Threshold - Open Out



PROFILE CUTTING SCHEDULE (DV171)

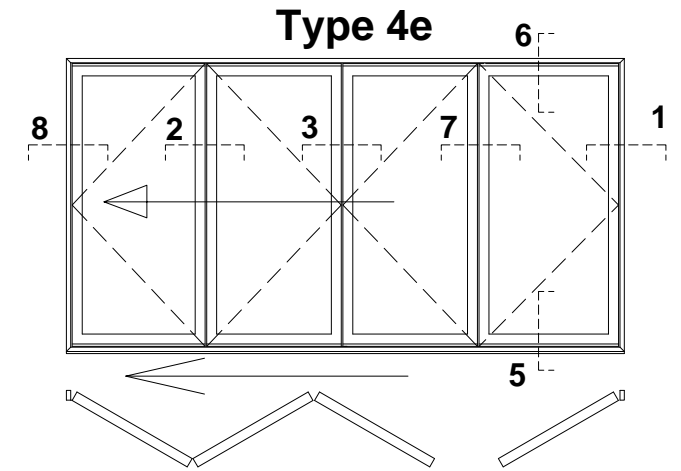
DV14		1	W
DV14		2	H
DV171		1	W-66
EUD03		1	W-66
EUD03		1	W-99
DV23		4	W/4-129.5
DV24		8	H-73
DV25		4	W/4-129.5
DV51		8	H-278
DV56		2	H-73
DV63 or DV67		8	W/4-131
DV63 or DV67		8	H-244 H-278
DV62		8	W/4-129.5
VG52		2	W-62
VG52		4	H-42
VG53		2	W-66
DV68		2	H-73
PCX15		1	H-73
PCX36		2	H-73

PROFILE CUTTING SCHEDULE (DV173)

DV173		1	W-66
DV174		1	W-66
DV174		1	W-99
DV24		8	H-78
DV51		8	H-283
DV56		1	H-78
DV63 or DV67		8	H-249 H-283
PCX36		2	H-78
DV68		2	H-78
PCX15		1	H-78

ACCESSORIES

ACDV18	2	CLEAT FOR DV14
ACDV19	2	CLEAT FOR DV14
ACDV22	16	CLEAT FOR DV23
ACDV24	2	CHEVRON FOR DV14
ACDV244	1 x (W-90) + 2 x (H-60)	FLIPPER GASKET
ACDV245	1 x (W-62) + 2 x (H-46)	SEALING GASKET
ACDV202	8 x (H-67)	SEALING GASKET
ACDV246	1 x (W-62) + 2 x (H-46)	SEALING GASKET
ACDV226 or 226	2	SHOOTBOLT HANDLE
ACDV227	2	SHOOTBOLT GEARBOX
ACDV228	2 (PAIRS)	SHOOTBOLT ROD
ACDV259	2 (PAIRS)	SHOOTBOLT GUIDE
ACDV230	1	SHOOTBOLT COVER
ACDV231	12	INTERMEDIATE HINGE
ACDV232	1	BOTTOM ROLLER HINGE
ACDV233	1	TOP GUIDE HINGE
ACDV234	1	D-HANDLE/HINGE
ACDV718/9	1	MULTI-POINT LOCK
ACDV251	1 (PAIR)	LEVER HANDLES
ACDV56	1 (PAIR)	END CAP FOR DV56
ACDV252	1	KEEP GUIDE
ACDV253	1	KEEP GUIDE PACKER
ACDV257	2 (SET OF 4)	INFILL BLOCK
ACDV171	1 (PAIR)	END CAPS FOR DV171/3
ACMX01603 (SL)	2	HALF CYLINDER
ACDV258 (SL)	1	50/50 CYLINDER
ACET060	24	SCREW FOR ACDV253 & DV56
ACET069	20	SCREW FOR ACDV225/6 & DV23
ACDV241	22	FIXING BLOCK FOR LOCK & KEEPS
ACDV265	22	FIXING SCREW FOR LOCK & KEEPS
ACDR052	36	SCREW FOR DV25 & DV171/3
ACVG31	8 x (W/4-137) + 8 x (H-254)	EXTERNAL GLAZING GASKET
ACVG34	8 x (W/4-137) + 8 x (H-254)	INTERNAL GLAZING GASKET
ACDV249	8 x (W/3-35.5)	WOOLPILE
ACVL032	2 x (H-67)	DV56 FLIPPER GASKET
ACDV261	3 (SET OF 4)	INFILL BLOCK



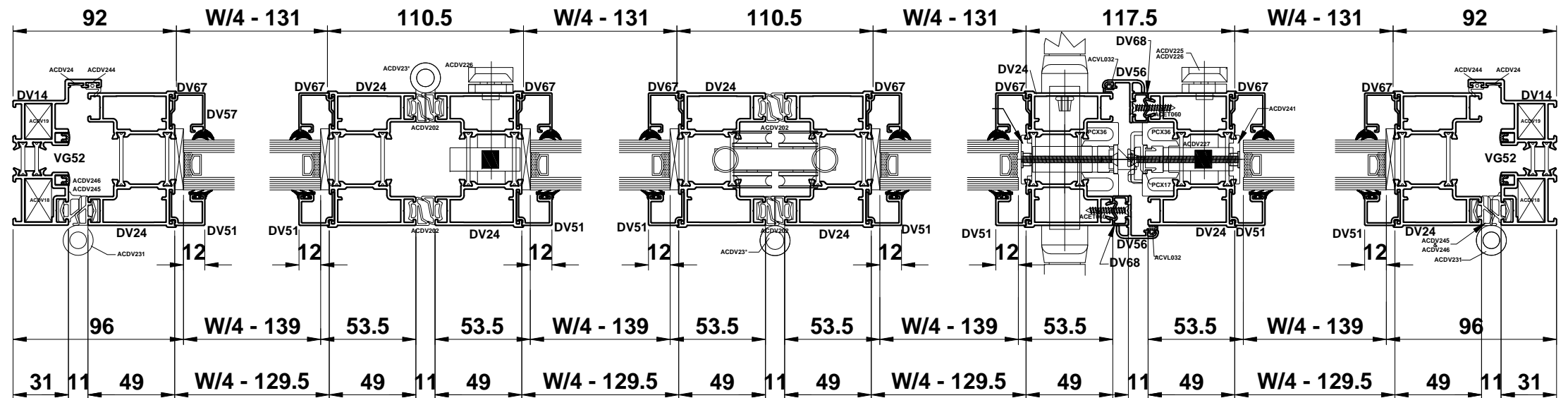
GLASS DEDUCTIONS

DV171	4 x	W/4 - 139	H - 253.5
DV173	4 x	W/4 - 139	H - 258.5

IMPORTANT NOTE:

Min. Sash Width 700mm / Max. Vent Width 1000mm
Max. Sash Weight 100kg
Max. Sash Height 2400mm Dependant On Site Conditions
Always Measure In the Last Vent.

Note: PCX15 required for master door if leaf height is over 2285mm.



Do Not Scale From This Drawing

Type 4e With DV23 & Standard Threshold - Open Out

PROFILE CUTTING SCHEDULE

DV14		2		W
DV14		2		H
DV23		8		W/4-129.5
DV24		8		H-84
DV51		8		H-295.5
DV56		2		H-84
DV63 or DV67		8		W/4-131
DV63 or DV67		8		H-261.5 H-295.5
VG52		2		W-62
VG52		4		H-62
VG53		2		W-62
DV68		2		H-84
PCX15		1		H-84
PCX36		2		H-84

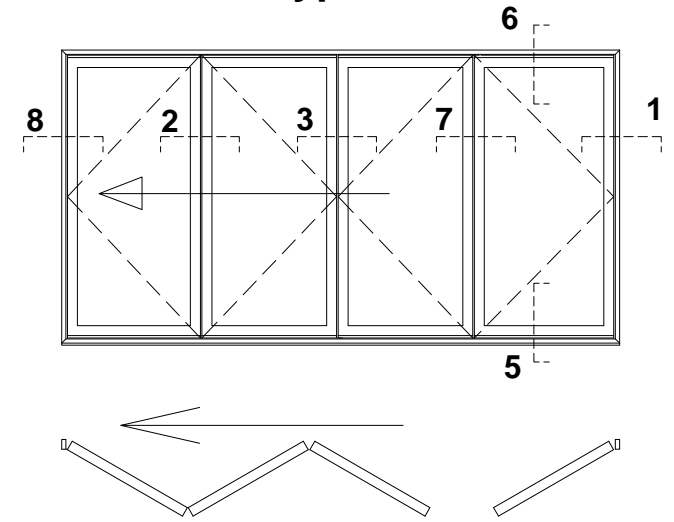
Note: PCX15 required for master door if leaf height is over 2285mm.

GLASS DEDUCTIONS	W/4 - 139
4 X	H - 271.5

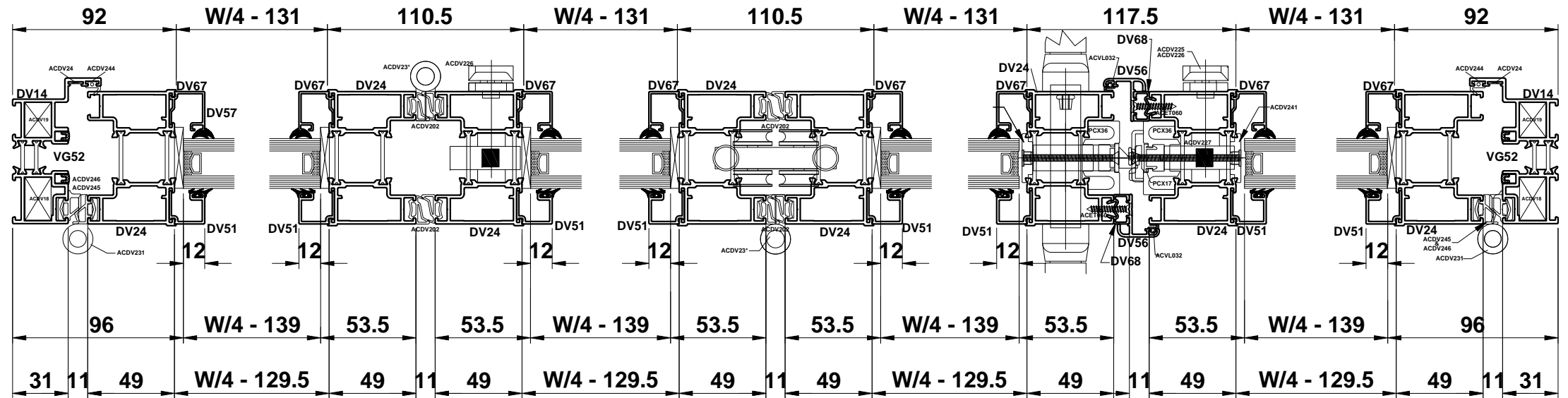
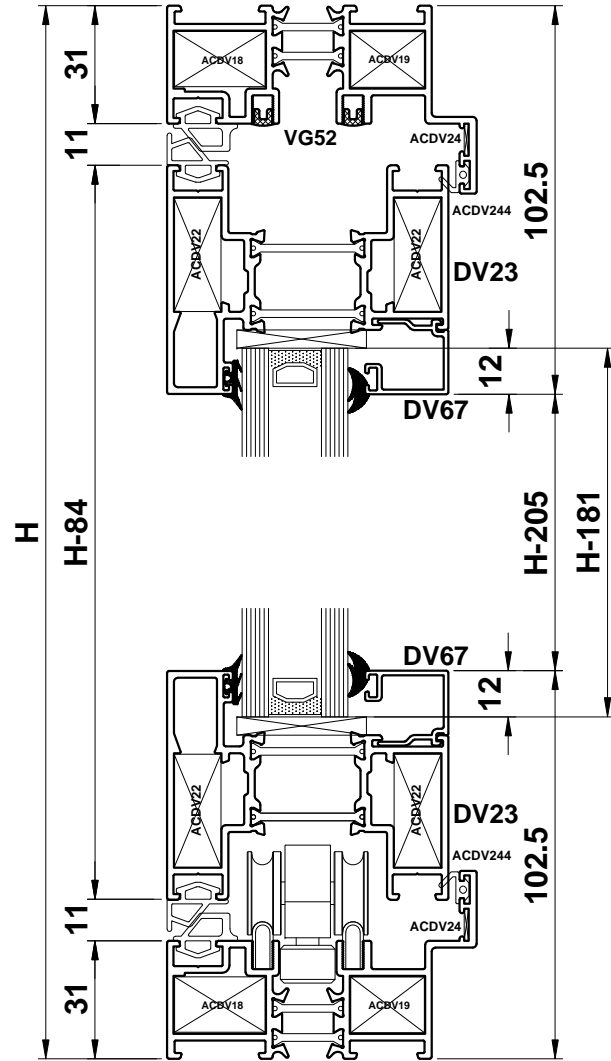
ACCESSORIES

ACDV18	4	CLEAT FOR DV14
ACDV19	4	CLEAT FOR DV14
ACDV22	32	CLEAT FOR DV23
ACDV24	4	CHEVRON FOR DV14
ACDV244	2 x (W-90) + 2 x (H-90)	FLIPPER GASKET
ACDV245	2 x (W-62) + 2 x (H-62)	SEALING GASKET
ACDV202	8 x (H-84)	SEALING GASKET
ACDV246	2 x (W-62) + 2 x (H-62)	SEALING GASKET
ACDV225 or 226	2	SHOOTBOLT HANDLE
ACDV227	2	SHOOTBOLT GEARBOX
ACDV228	2 (PAIRS)	SHOOTBOLT ROD
ACDV259	2 (PAIRS)	SHOOTBOLT GUIDE
ACDV230	1	SHOOTBOLT COVER
ACDV231	13	INTERMEDIATE HINGE
ACDV232	1	BOTTOM ROLLER HINGE
ACDV233	1	TOP GUIDE HINGE
ACDV234	1	D-HANDLE/HINGE
ACDV718/9	1	MULTI-POINT LOCK
ACDV251	1 (PAIR)	LEVER HANDLES
ACDV56	2 (PAIRS)	END CAP FOR DV56
ACDV253	1	KEEP GUIDE PACKER
ACDV257	4 (SET OF 4)	INFILL BLOCK
ACMX01603 (SL)	2	HALF CYLINDER
ACDV258 (SL)	1	50/50 CYLINDER
ACET131	2	DRAIN HOLE COVER
ACET060	24	SCREW FOR ACDV253 & DV56
ACDV241	22	FIXING BLOCK FOR LOCK & KEEPS
ACDV265	22	FIXING SCREW FOR LOCK & KEEPS
ACET069	36	SCREW FOR ACDV225/6 & DV23
ACVG31	8 x (W/4-137) + 8 x (H-271)	EXTERNAL GLAZING GASKET
ACVG34	6 x (W/4-137) + 6 x (H-271)	INTERNAL GLAZING GASKET

Type 4e

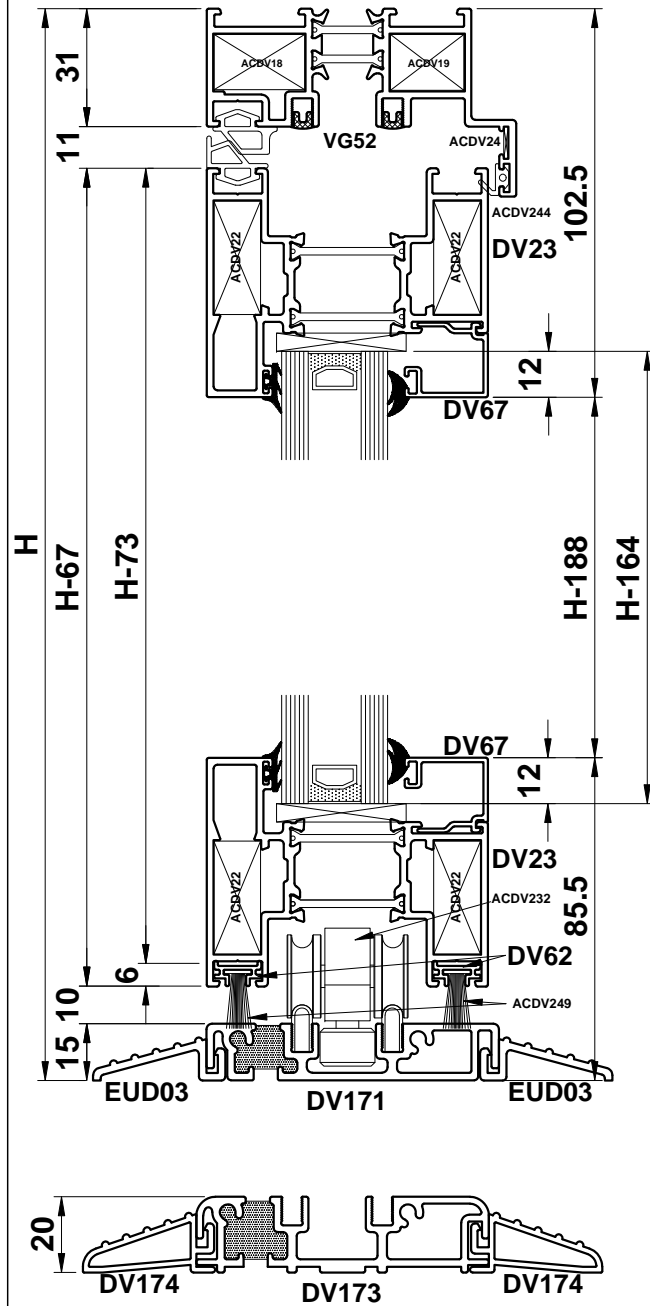


IMPORTANT NOTE:
Min. Sash Width 700mm / Max. Vent Width 1000mm
Max. Sash Weight 100kg
Max. Sash Height 2400mm Dependant On Site Conditions
Always Measure In the Last Vent.



Do Not Scale From This Drawing

Type 4e With DV23 & Low Threshold - Open Out



PROFILE CUTTING SCHEDULE (DV171)

DV14		1	W
DV14		2	H
DV171		1	W-66
EUD03		1	W-66
EUD03		1	W-99
DV23		8	W/4-129.5
DV24		8	H-73
DV51		8	H-278
DV56		2	H-73
DV63 or DV67		8	W/4-131
DV63 or DV67		8	H-244
DV63 or DV67		8	H-278
DV62		8	W/4-128
VG52		2	W-62
VG52		4	H-42
VG53		2	W-66
DV68		2	H-73
PCX15		1	H-73
PCX36		2	H-73

PROFILE CUTTING SCHEDULE (DV173)

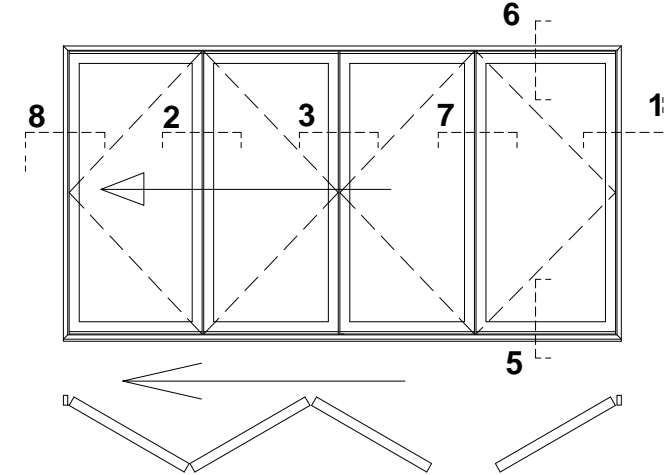
DV173		1	W-66
DV174		1	W-66
DV174		1	W-99
DV24		8	H-78
DV51		8	H-283
DV56		1	H-78
DV63 or DV67		8	H-249
DV63 or DV67		8	H-283
PCX36		2	H-78
DV68		2	H-78
PCX15		1	H-78

Note: PCX15 required for master door if leaf height is over 2285mm.

ACCESSORIES

ACDV18	2	CLEAT FOR DV14
ACDV19	2	CLEAT FOR DV14
ACDV22	32	CLEAT FOR DV23
ACDV24	2	CHEVRON FOR DV14
ACDV244	1 x (W-90) + 2 x (H-60)	FLIPPER GASKET
ACDV245	1 x (W-62) + 2 x (H-46)	SEALING GASKET
ACDV202	8 x (H-67)	SEALING GASKET
ACDV246	1 x (W-62) + 2 x (H-46)	SEALING GASKET
ACDV226 or 226	2	SHOOTBOLT HANDLE
ACDV227	2	SHOOTBOLT GEARBOX
ACDV228	2 (PAIRS)	SHOOTBOLT ROD
ACDV259	2 (PAIRS)	SHOOTBOLT GUIDE
ACDV230	1	SHOOTBOLT COVER
ACDV231	12	INTERMEDIATE HINGE
ACDV232	1	BOTTOM ROLLER HINGE
ACDV233	1	TOP GUIDE HINGE
ACDV234	1	D-HANDLE/HINGE
ACDV718/9	1	MULTI-POINT LOCK
ACDV251	1 (PAIR)	LEVER HANDLES
ACDV56	1 (PAIR)	END CAP FOR DV56
ACDV252	1	KEEP GUIDE
ACDV253	1	KEEP GUIDE PACKER
ACDV257	2 (SET OF 4)	INFILL BLOCK
ACDV171	1 (PAIR)	END CAPS FOR DV171/3
ACMX01603 (SL)	2	HALF CYLINDER
ACDV258 (SL)	1	50/50 CYLINDER
ACET060	24	SCREW FOR ACDV253 & DV56
ACET069	20	SCREW FOR ACDV225/6 & DV23
ACDV241	22	FIXING BLOCK FOR LOCK & KEEPS
ACDV265	22	FIXING SCREW FOR LOCK & KEEPS
ACDR052	4	SCREW FOR DV25 & DV171/3
ACVG31	8 x (W/4-137) + 8 x (H-254)	EXTERNAL GLAZING GASKET
ACVG34	8 x (W/4-137) + 8 x (H-254)	INTERNAL GLAZING GASKET
ACDV249	8 x (W/3-35.5)	WOOLPILE
ACVL032	2 x (H-67)	DV56 FLIPPER GASKET
ACDV261	3 (SET OF 4)	INFILL BLOCK

Type 4e

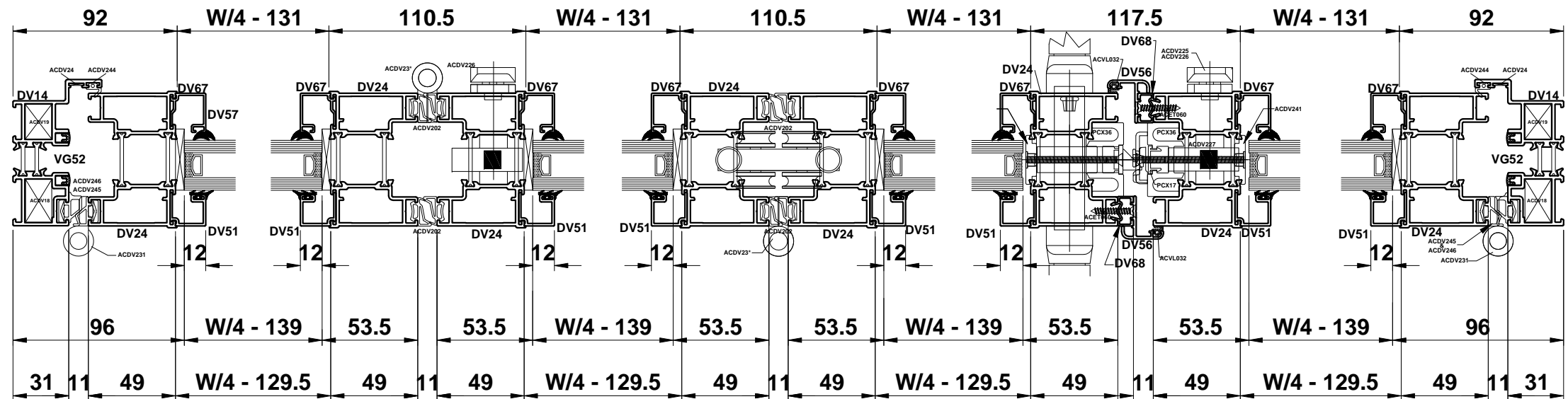


GLASS DEDUCTIONS

DV171	4 x	W/4 - 139	H - 164
DV173	4 x	W/4 - 139	H - 169

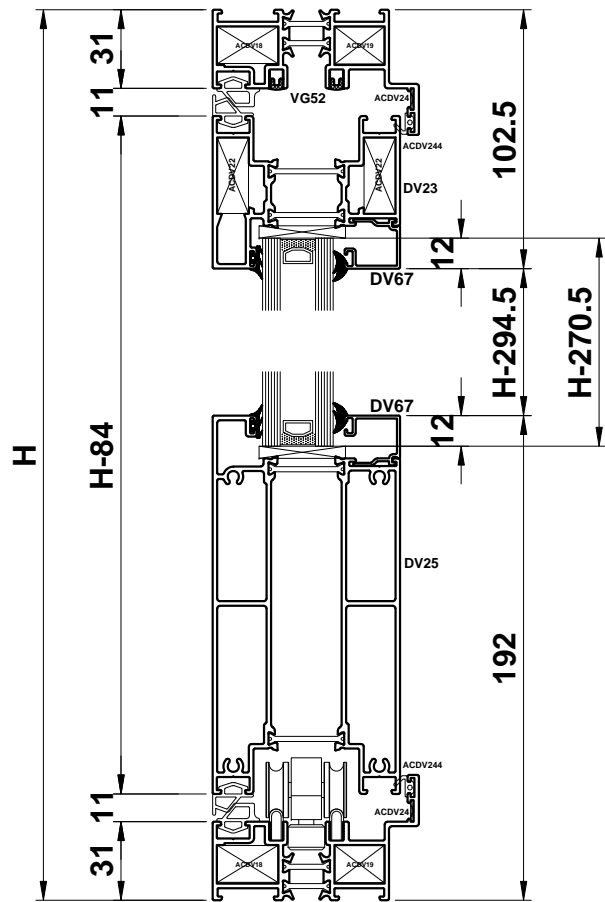
IMPORTANT NOTE:

Min. Sash Width 700mm / Max. Vent Width 1000mm
Max. Sash Weight 100kg
Max. Sash Height 2400mm Dependant On Site Conditions
Always Measure In the Last Vent.



Do Not Scale From This Drawing

Type 6e With Standard Threshold - Open Out



PROFILE CUTTING SCHEDULE

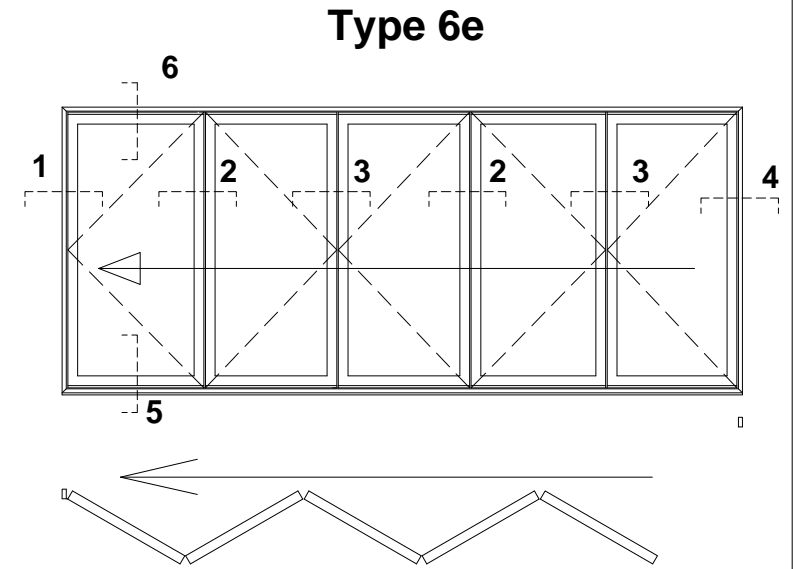
DV14		2	W	
DV14		2	H	
DV23		5	W/5-123.5	
DV24		10	H-84	
DV25		5	W/5-123.5	
DV51		10	H-294.5	
DV56		1	H-84	
DV63 or DV67		10	W/5-125	
DV63 or DV67		10	H-260.5	H-294.5
DV60		1	H-62	
VG52		2	W-62	
VG52		4	H-62	
VG53		2	W-62	
PCX36		1	H-84	

Note: PCX15 required for leaf heights over 2285mm.

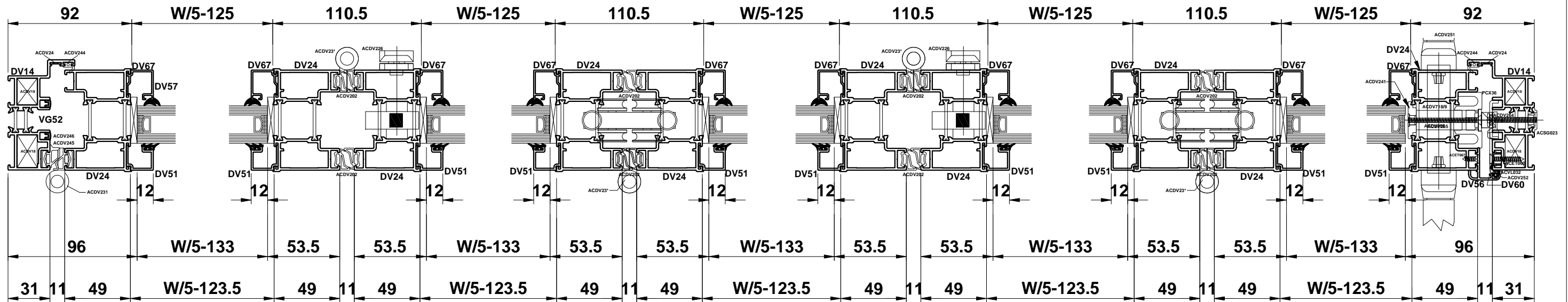
GLASS DEDUCTIONS	W/5 - 133
5 X	H - 270.5

ACCESSORIES

ACDV18	4	CLEAT FOR DV14
ACDV19	4	CLEAT FOR DV14
ACDV22	20	CLEAT FOR DV23
ACDV24	4	CHEVRON FOR DV14
ACDV244	2 x (W-90) + 2 x (H-90)	FLIPPER GASKET
ACDV245	2 x (W-62) + 2 x (H-62)	SEALING GASKET
ACDV202	18 x (H-84)	SEALING GASKET
ACDV246	2 x (W-62) + 2 x (H-62)	SEALING GASKET
ACDV225 or 226	2	SHOOTBOLT HANDLE
ACDV227	2	SHOOTBOLT GEARBOX
ACDV228	2 (PAIR)	SHOOTBOLT ROD
ACDV259	2 (PAIR)	SHOOTBOLT GUIDE
ACDV230	2	SHOOTBOLT COVER
ACDV231	14	INTERMEDIATE HINGE
ACDV232	2	BOTTOM ROLLER HINGE
ACDV233	2	TOP GUIDE HINGE
ACDV234	2	D-HANDLE/HINGE
ACDV718/9	1	MULTI-POINT LOCK
ACDV251	1 (PAIR)	LEVER HANDLES
ACDV56	1 (PAIR)	END CAP FOR DV56
ACDV252	1	KEEP GUIDE
ACDV257	5 (SET OF 4)	INFILL BLOCK
ACVL032	1 x (H-84)	DV56 FLIPPER GASKET
ACMX01603 (SL)	2	HALF CYLINDER
ACDV258 (SL)	1	50/50 CYLINDER
ACET131	2	DRAIN HOLE COVER
ACET060	2	SCREW FOR ACDV252
ACDV241	11	FIXING BLOCK FOR LOCK
ACDV265	11	FIXING SCREW FOR LOCK
ACET067	11	SCREW FOR DV56
ACET069	24	SCREW FOR ACDV225/6 & DV23
ACDR052	40	SCREW FOR DV25
ACVG31	10 x (W/5-133) + 10 x (H-271)	EXTERNAL GLAZING GASKET
ACVG34	10 x (W/5-133) + 10 x (H-271)	INTERNAL GLAZING GASKET
ACSG023	11	FIXING PLATE FOR KEEPS
ACDV264	11	SCREW FOR KEEPS

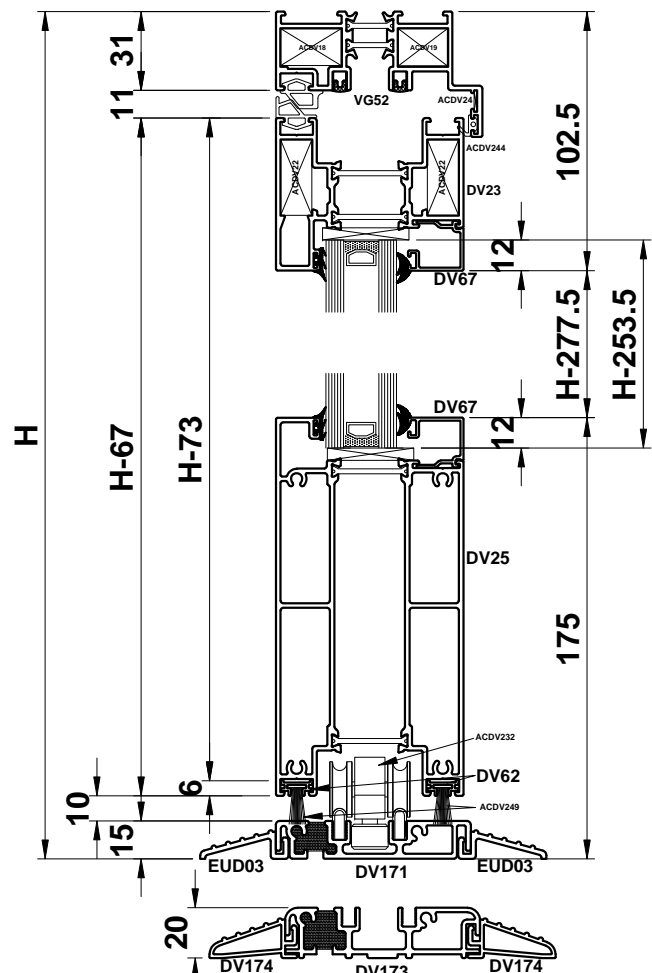


IMPORTANT NOTE:
Min. Sash Width 700mm / Max. Vent Width 1000mm
Max. Sash Weight 100kg
Max. Sash Height 2400mm Dependant On Site Conditions
Always Measure In the Last Vent.



Do Not Scale From This Drawing

Type 6e With Low Threshold - Open Out



PROFILE CUTTING SCHEDULE (DV171)

DV14		1		W	
DV14		2		H	
DV171		1		W-66	
EUD03		1		W-66	
EUD03		1		W-99	
DV23		5		W/5-123.5	
DV24		10		H-73	
DV25		5		W/5-123.5	
DV51		10		H-277.5	
DV56		1		H-73	
DV63 or DV67		10		W/5-125	
DV63 or DV67		10		H-244	H-278
DV60		1		H-46	
DV62		10		W/5-123.5	
VG52		2		W-62	
VG52		4		H-42	
VG53		2		W-66	
PCX36		1		H-73	

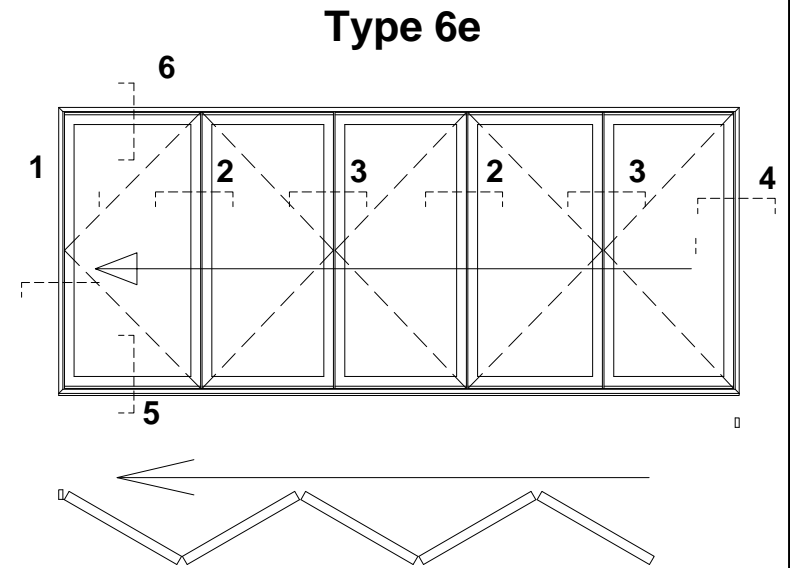
PROFILE CUTTING SCHEDULE (DV173)

DV173		1		W-66	
DV174		1		W-66	
DV174		1		W-99	
DV24		10		H-78	
DV51		10		H-283	
DV56		1		H-78	
DV63 or DV67		10		H-249	H-283
DV60		1		H-51	
PCX36		2		H-78	

Note: PCX15 required for leaf heights over 2285mm.

ACCESSORIES

ACDV18	2	CLEAT FOR DV14
ACDV19	2	CLEAT FOR DV14
ACDV22	20	CLEAT FOR DV23
ACDV24	2	CHEVRON FOR DV14
ACDV244	1 x (W-90) + 2 x (H-60)	FLIPPER GASKET
ACDV245	1 x (W-62) + 1 x (H-46)	SEALING GASKET
ACDV202	18 x (H-67)	SEALING GASKET
ACDV246	1 x (W-62) + 1 x (H-46)	SEALING GASKET
ACDV226	2	SHOOTBOLT HANDLE
ACDV227	2	SHOOTBOLT GEARBOX
ACDV228	2 (PAIRS)	SHOOTBOLT ROD
ACDV259	2 (PAIRS)	SHOOTBOLT GUIDE
ACDV230	2	SHOOTBOLT COVER
ACDV231	14	INTERMEDIATE HINGE
ACDV232	2	BOTTOM ROLLER HINGE
ACDV233	2	TOP GUIDE HINGE
ACDV234	2	D-HANDLE/HINGE
ACDV718/9	1	MULTI-POINT LOCK
ACDV251	1 (PAIR)	LEVER HANDLES
ACDV56	1 (PAIR)	END CAP FOR DV56
ACDV252	1	KEEP GUIDE
ACDV257	3 (SET OF 4)	INFILL BLOCK
ACDV171/173	1 (PAIR)	END CAPS FOR DV171/173
ACVL032	1 (H-67)	DV56 FLIPPER GASKET
ACMX01603 (S/L)	2	HALF CYLINDER
ACDV258 (SL)	1	50/50 CYLINDER
ACET060	2	SCREW FOR ACDV252
ACDV241	11	FIXING BLOCK FOR LOCK
ACDV265	11	FIXING SCREW FOR LOCK
ACET069	4	SCREW FOR ACDV225/6
ACDR052	36	SCREW FOR DV25 & DV171/3
ACVG31	10 x (W/5-133) + 10 x (H-254)	EXTERNAL GLAZING GASKET
ACVG34	10 x (W/5-133) + 10 x (H-254)	INTERNAL GLAZING GASKET
ACDV249	10 x (W/5-35.5)	WOOLPILE
ACDV261	3 (SET OF 4)	INFILL BLOCK
ACSG023	11	FIXING PLATE FOR KEEP
ACDV264	11	SCREW FOR KEEP
ACET067	11	SCREW FOR DV56

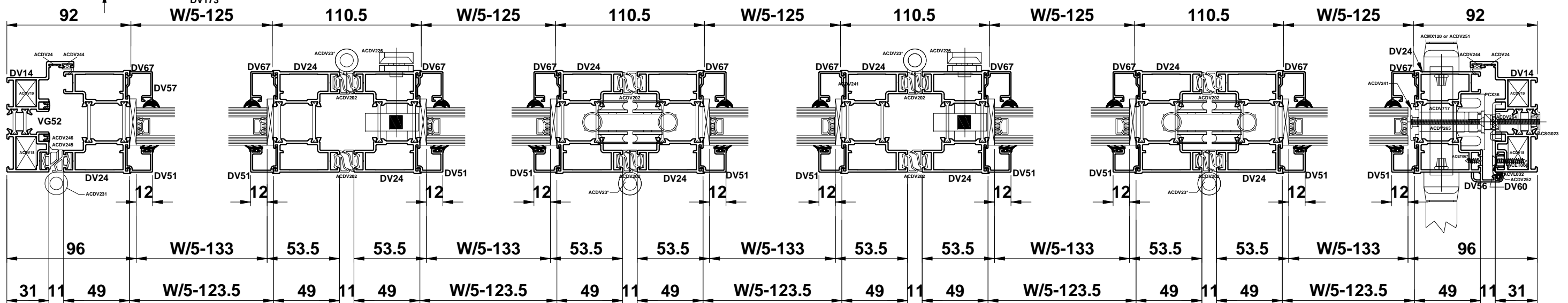


GLASS DEDUCTIONS

DV171	5 x	W/5 - 133	H - 253.5
DV173	5 x	W/5 - 133	H - 258.5

IMPORTANT NOTE:

Min. Sash Width 700mm / Max. Vent Width 1000mm
Max. Sash Weight 100kg
Max. Sash Height 2400mm Dependant On Site Conditions
Always Measure In the Last Vent.



Do Not Scale From This Drawing

Type 6e With DV23 & Standard Threshold - Open Out

PROFILE CUTTING SCHEDULE

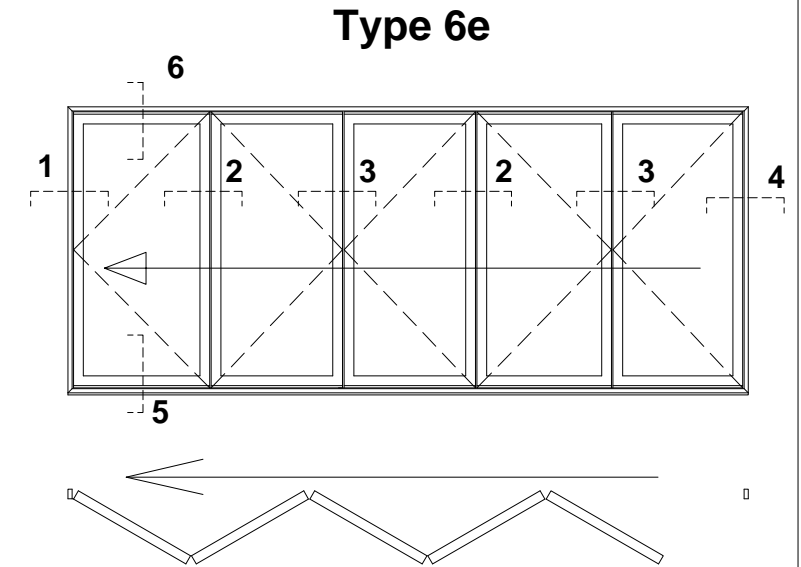
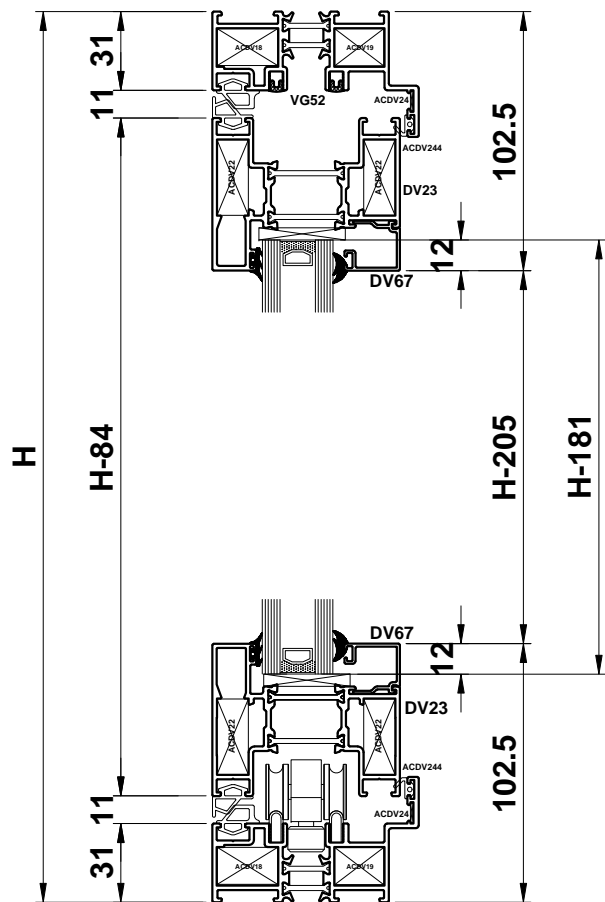
DV14		2	W
DV14		2	H
DV23		10	W/5-123.5
DV24		10	H-84
DV51		10	H-205
DV56		1	H-84
DV63 or DV67		10	W/5-125
DV63 or DV67		10	H-239 H-205
DV60		1	H-62
VG52		2	W-62
VG52		4	H-62
VG53		2	W-62
PCX36		1	H-84

Note: PCX15 required for leaf heights over 2285mm.

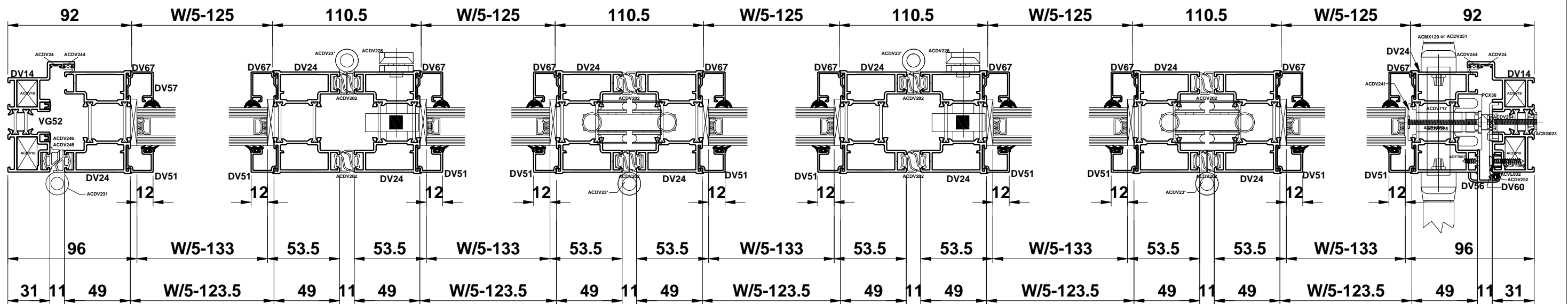
GLASS DEDUCTIONS 5 X	W/5 - 133
	H - 229

ACCESSORIES

ACDV18	4	CLEAT FOR DV14
ACDV19	4	CLEAT FOR DV14
ACDV22	40	CLEAT FOR DV23
ACDV24	4	CHEVRON FOR DV14
ACDV244	2 x (W-90) + 2 x (H-90)	FLIPPER GASKET
ACDV245	2 x (W-62) + 2 x (H-62)	SEALING GASKET
ACDV202	18 x (H-84)	SEALING GASKET
ACDV246	2 x (W-62) + 2 x (H-62)	SEALING GASKET
ACDV225 or 226	2	SHOOTBOLT HANDLE
ACDV227	2	SHOOTBOLT GEARBOX
ACDV228	2 (PAIR)	SHOOTBOLT ROD
ACDV259	2 (PAIR)	SHOOTBOLT GUIDE
ACDV230	2	SHOOTBOLT COVER
ACDV231	14	INTERMEDIATE HINGE
ACDV232	2	BOTTOM ROLLER HINGE
ACDV233	2	TOP GUIDE HINGE
ACDV234	2	D-HANDLE/HINGE
ACDV718/9	1	MULTI-POINT LOCK
ACDV251	1 (PAIR)	LEVER HANDLES
ACDV56	1 (PAIR)	END CAP FOR DV56
ACDV252	1	KEEP GUIDE
ACDV257	5 (SET OF 4)	INFILL BLOCK
ACVL032	1 x (H-84)	DV56 FLIPPER GASKET
ACMX01603 (SL)	2	HALF CYLINDER
ACDV258 (SL)	1	50/50 CYLINDER
ACET131	2	DRAIN HOLE COVER
ACET060	2	SCREW FOR ACDV252
ACDV241	11	FIXING BLOCK FOR LOCK
ACDV265	11	FIXING SCREW FOR LOCK
ACET067	11	SCREW FOR DV56
ACET069	4	SCREW FOR ACDV225/6
ACVG31	10 x (W/5-133) + 10 x (H-229)	EXTERNAL GLAZING GASKET
ACVG34	10 x (W/5-133) + 10 x (H-229)	INTERNAL GLAZING GASKET
ACSG023	11	FIXING PLATE FOR KEEP
ACSG071	11	SCREW FOR KEEP

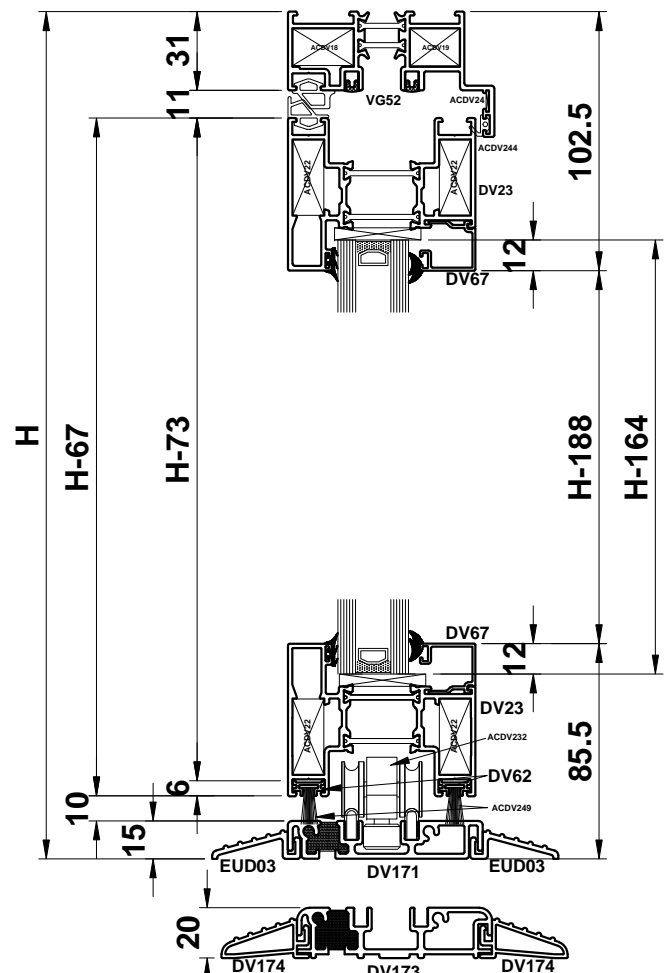


IMPORTANT NOTE:
Min. Sash Width 700mm / Max. Vent Width 1000mm
Max. Sash Weight 100kg
Max. Sash Height 2400mm Dependant On Site Conditions
Always Measure In the Last Vent.



Do Not Scale From This Drawing

Type 6e With DV23 & Low Threshold - Open Out



PROFILE CUTTING SCHEDULE (DV171)

DV14		1		W	
DV14		2		H	
DV171		1		W-66	
EUD03		1		W-66	
EUD03		1		W-99	
DV23		5		W/5-123.5	
DV24		10		H-73	
DV25		5		W/5-123.5	
DV51		10		H-278	
DV56		1		H-73	
DV63 or DV67		10		W/5-125	
DV63 or DV67		10		H-244	H-278
DV60		1		H-46	
DV62		10		W/5-123.5	
VG52		2		W-62	
VG52		4		H-42	
VG53		2		W-66	
PCX36		1		H-73	

PROFILE CUTTING SCHEDULE (DV173)

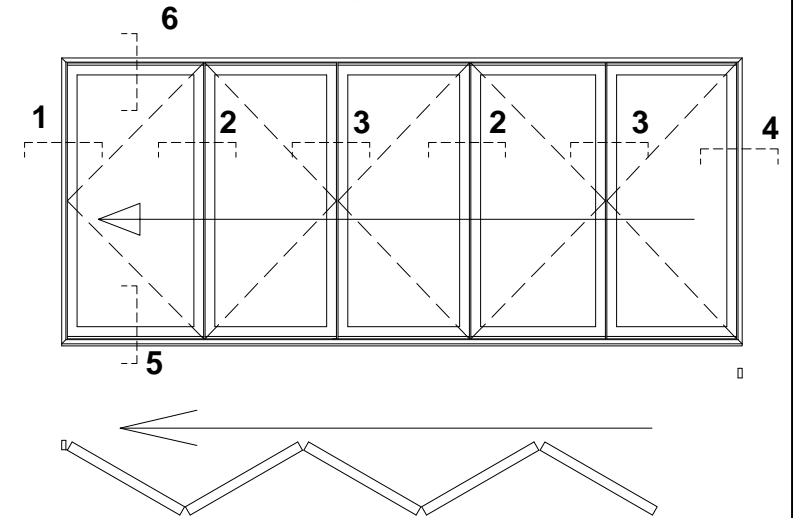
DV173		1		W-66	
DV174		1		W-66	
DV174		1		W-99	
DV24		10		H-78	
DV51		10		H-283	
DV56		1		H-78	
DV63 or DV67		10		H-249	H-283
DV60		1		H-51	
PCX36		1		H-78	

Note: PCX15 required for leaf heights over 2285mm.

ACCESSORIES

ACDV18	2	CLEAT FOR DV14
ACDV19	2	CLEAT FOR DV14
ACDV22	40	CLEAT FOR DV23
ACDV24	2	CHEVRON FOR DV14
ACDV244	1 x (W-90) + 2 x (H-60)	FLIPPER GASKET
ACDV245	1 x (W-62) + 2 x (H-46)	SEALING GASKET
ACDV202	18 x (H-67)	SEALING GASKET
ACDV246	1 x (W-62) + 2 x (H-46)	SEALING GASKET
ACDV226	2	SHOOTBOLT HANDLE
ACDV227	2	SHOOTBOLT GEARBOX
ACDV228	2 (PAIRS)	SHOOTBOLT ROD
ACDV259	2 (PAIRS)	SHOOTBOLT GUIDE
ACDV230	2	SHOOTBOLT COVER
ACDV231	14	INTERMEDIATE HINGE
ACDV232	2	BOTTOM ROLLER HINGE
ACDV233	2	TOP GUIDE HINGE
ACDV234	2	D-HANDLE/HINGE
ACDV718/9	1	MULTI-POINT LOCK
ACDV251	1 (PAIR)	LEVER HANDLES
ACDV56	1 (PAIR)	END CAP FOR DV56
ACDV252	1	KEEP GUIDE
ACDV257	3 (SET OF 4)	INFILL BLOCK
ACDV171/3	1 (PAIR)	END CAPS FOR DV171/3
ACVL032	1 (H-67)	DV56 FLIPPER GASKET
ACMX01603 (SL)	2	HALF CYLINDER
ACDV258 (SL)	1	50/50 CYLINDER
ACET060	2	SCREW FOR ACDV252
ACDV241	11	FIXING BLOCK FOR LOCK
ACDV265	11	FIXING SCREW FOR LOCK
ACET069	4	SCREW FOR ACDV225/6
ACDR052	4	SCREW FOR DV171/3
ACVG31	10 x (W/5-133) + 10 x (H-254)	EXTERNAL GLAZING GASKET
ACVG34	10 x (W/5-133) + 10 x (H-254)	INTERNAL GLAZING GASKET
ACDV249	10 x (W/5-35.5)	WOOLPILE
ACDV261	3 (SET OF 4)	INFILL BLOCK
ACSG023	11	FIXING PLATE FOR KEEP
ACDV264	11	SCREW FOR KEEP
ACET067	11	SCREW FOR DV56

Type 6e

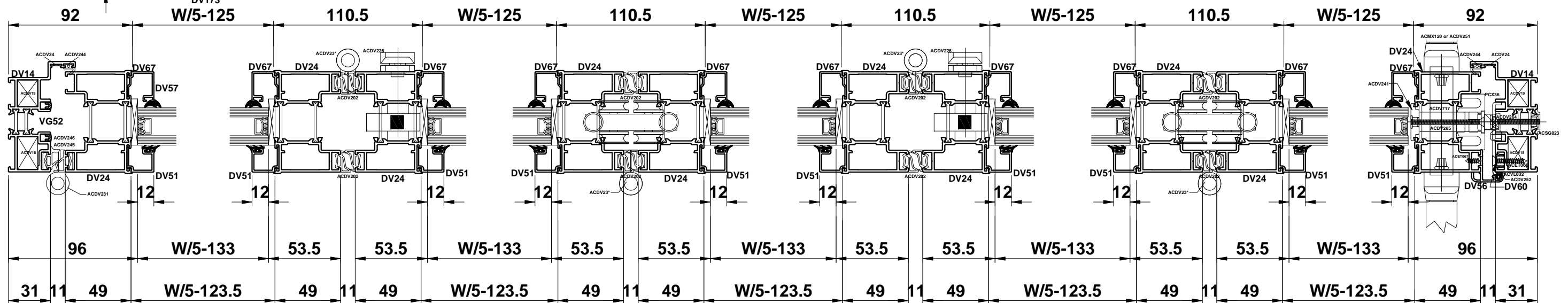


GLASS DEDUCTIONS

DV171	5 x	W/5 - 133	H - 254
DV173	5 x	W/5 - 133	H - 259

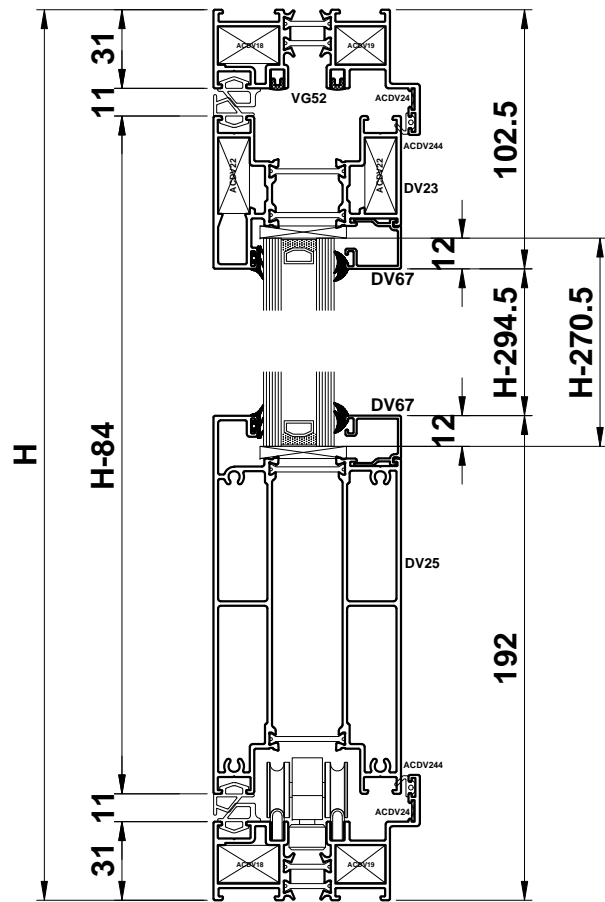
IMPORTANT NOTE:

Min. Sash Width 700mm / Max. Vent Width 1000mm
Max. Sash Weight 100kg
Max. Sash Height 2400mm Dependant On Site Conditions
Always Measure In the Last Vent.



Do Not Scale From This Drawing

Type 7e With Standard Threshold - Open Out



PROFILE CUTTING SCHEDULE

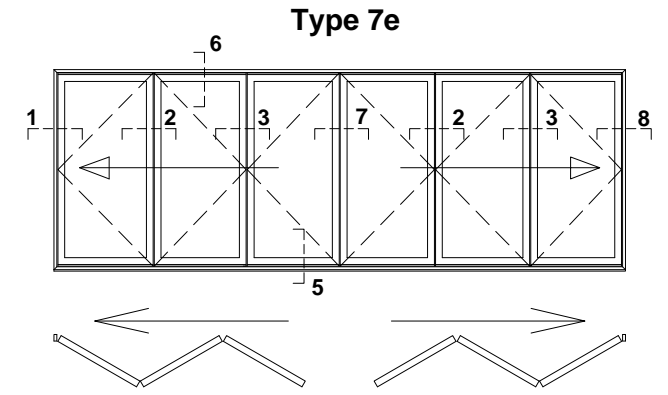
DV14		2		W
DV14		2		H
DV23		6		W/6-122.5
DV24		12		H-84
DV25		6		W/6-122.5
DV51		12		H-294.5
DV56		2		H-84
DV63 or DV67		12		W/6-124
DV63 or DV67		12		H-260.5 H-294.5
VG52		2		W-62
VG52		4		H-62
VG53		2		W-62
DV68		2		H-84
PCX15		1		H-84
PCX36		2		H-84

Note: PCX15 required for master door if leaf height is over 2285mm.

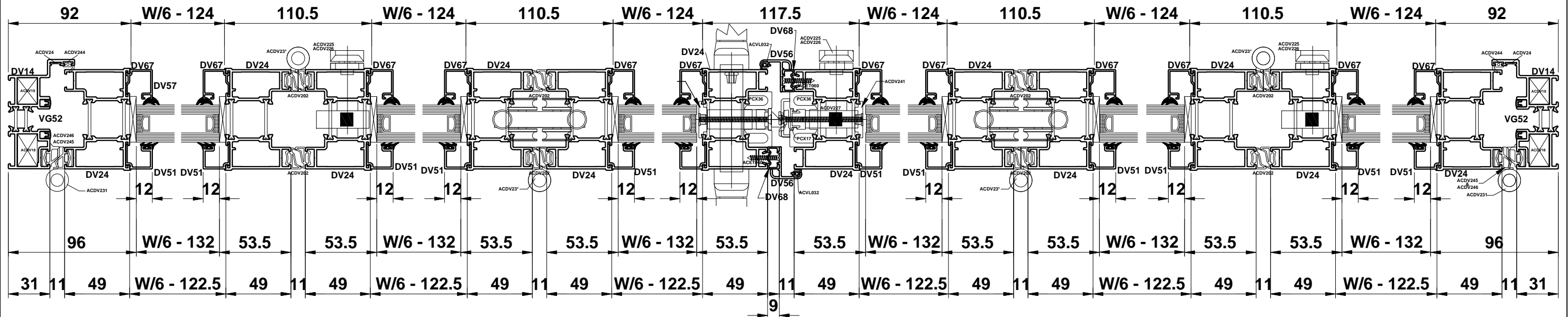
GLASS SIZES	
6 X	W/6 - 132
	H - 271.5

ACCESSORIES

ACDV18	4	CLEAT FOR DV14
ACDV19	4	CLEAT FOR DV14
ACDV22	24	CLEAT FOR DV23
ACDV24	4	CHEVRON FOR DV14
ACDV244	2 x (W-90) + 2 x (H-90)	FLIPPER GASKET
ACDV245	2 x (W-62) + 2 x (H-62)	SEALING GASKET
ACDV202	18 x (H-84)	SEALING GASKET
ACDV246	2 x (W-62) + 2 x (H-62)	SEALING GASKET
ACDV225 or 226	3	SHOOTBOLT HANDLE
ACDV227	3	SHOOTBOLT GEARBOX
ACDV228	3 (PAIRS)	SHOOTBOLT ROD
ACDV259	3 (PAIRS)	SHOOTBOLT GUIDE
ACDV230	2	SHOOTBOLT COVER
ACDV231	18	INTERMEDIATE HINGE
ACDV232	2	BOTTOM ROLLER HINGE
ACDV233	2	TOP GUIDE HINGE
ACDV234	2	D-HANDLE/HINGE
ACDV718/9	1	MULTI-POINT LOCK
ACDV251	1 (PAIR)	LEVER HANDLES
ACDV56	2 (PAIRS)	END CAP FOR DV56
ACDV257	6 (SET OF 4)	INFILL BLOCK
ACVL032	2 x (H-84)	DV56 FLIPPER GASKET
ACMX01603 (SL)	3	HALF CYLINDER
ACDV241	22	FIXING BLOCK FOR LOCK & KEEPS
ACDV265	22	FIXING SCREW FOR LOCK & KEEPS
ACDV258	1	50/50 CYLINDER
ACET131	2	DRAIN HOLE COVER
ACET060	22	SCREW FOR DV56
ACET069	30	SCREW FOR ACDV225/6 & DV23
ACDR052	48	SCREW FOR DV25
ACVG31	12 x (W/6-134) + 12 x (H-271)	EXTERNAL GLAZING GASKET
ACVG34	12 x (W/6-134) + 12 x (H-271)	INTERNAL GLAZING GASKET

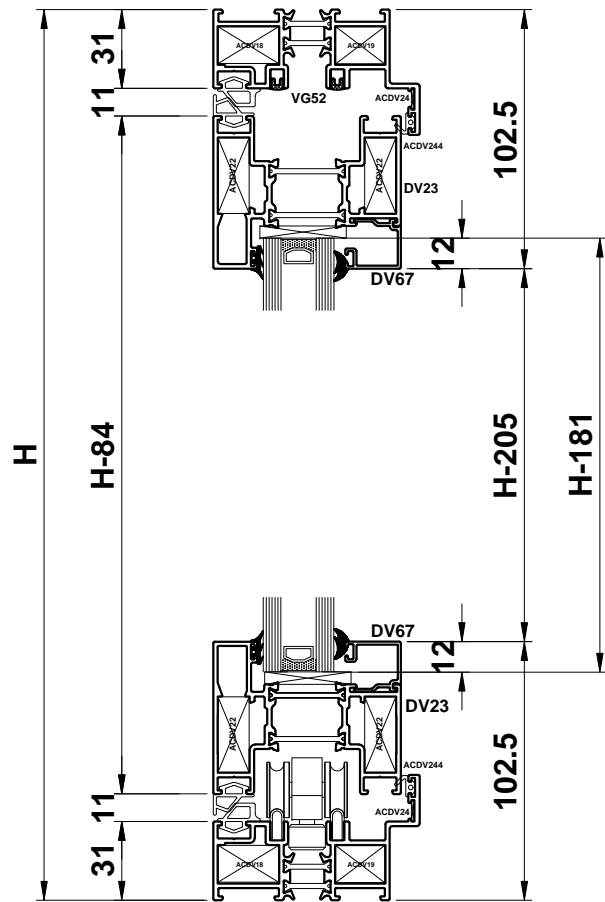


IMPORTANT NOTE:
Min. Sash Width 700mm / Max. Vent Width 1000mm
Max. Sash Weight 100kg
Max. Sash Height 2400mm Dependant On Site Conditions
Always Measure In the Last Vent.



Do Not Scale From This Drawing

Type 7e With DV23 & Standard Threshold - Open Out



PROFILE CUTTING SCHEDULE

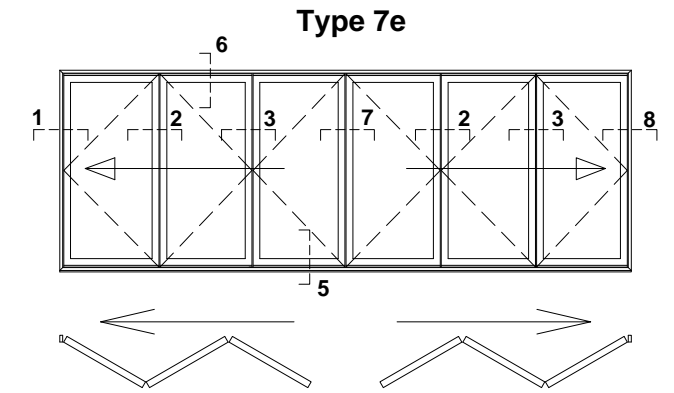
DV14		2		W	
DV14		2		H	
DV23		12		W/6-122.5	
DV24		12		H-84	
DV51		12		H-205	
DV56		2		H-84	
DV63 or DV67		12		W/6-124	
DV63 or DV67		12		H-222	H-188
VG52		2		W-62	
VG52		4		H-62	
VG53		2		W-62	
DV68		2		H-84	
PCX15		1		H-84	
PCX36		2		H-84	

Note: PCX15 required for master door if leaf height is over 2285mm.

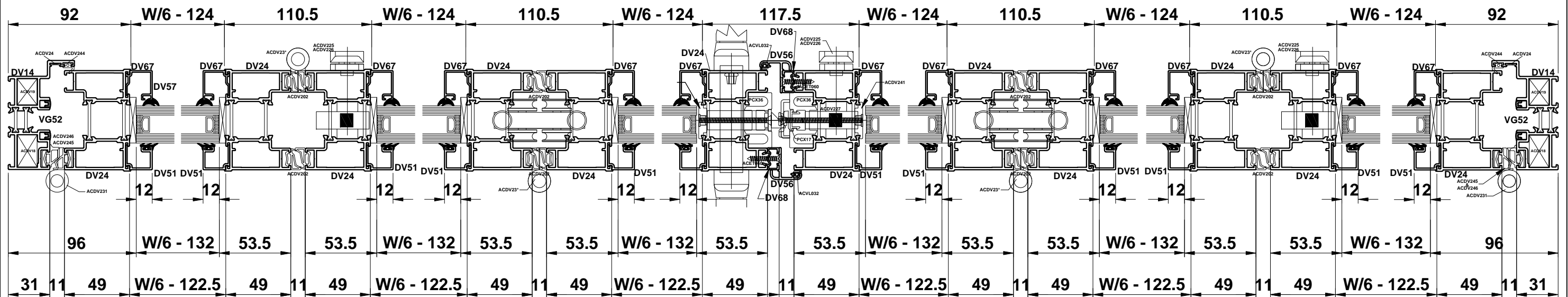
GLASS SIZES	
6 X	W/6 - 132
	H - 229

ACCESSORIES

ACDV18	4	CLEAT FOR DV14
ACDV19	4	CLEAT FOR DV14
ACDV22	48	CLEAT FOR DV23
ACDV24	4	CHEVRON FOR DV14
ACDV244	2 x (W-90) + 2 x (H-90)	FLIPPER GASKET
ACDV245	2 x (W-62) + 2 x (H-62)	SEALING GASKET
ACDV202	18 x (H-84)	SEALING GASKET
ACDV246	2 x (W-62) + 2 x (H-62)	SEALING GASKET
ACDV225 or 226	3	SHOOTBOLT HANDLE
ACDV227	3	SHOOTBOLT GEARBOX
ACDV228	3 (PAIRS)	SHOOTBOLT ROD
ACDV259	3 (PAIRS)	SHOOTBOLT GUIDE
ACDV230	2	SHOOTBOLT COVER
ACDV231	18	INTERMEDIATE HINGE
ACDV232	2	BOTTOM ROLLER HINGE
ACDV233	2	TOP GUIDE HINGE
ACDV234	2	D-HANDLE/HINGE
ACDV18/9	1	MULTI-POINT LOCK
ACDV251	1 (PAIR)	LEVER HANDLES
ACDV56	2 (PAIRS)	END CAP FOR DV56
ACDV257	6 (SET OF 4)	INFILL BLOCK
ACVL032	2 x (H-84)	DV56 FLIPPER GASKET
ACMX01603 (SL)	3	HALF CYLINDER
ACDV241	22	FIXING BLOCK FOR LOCK & KEEPS
ACDV265	22	FIXING SCREW FOR LOCK & KEEPS
ACDV258	1	50/50 CYLINDER
ACET131	2	DRAIN HOLE COVER
ACET060	22	SCREW FOR DV56
ACET069	30	SCREW FOR ACDV225/6 & DV23
ACDR052	48	SCREW FOR DV25
ACVG31	12 x (W/6-134) + 12 x (H-271)	EXTERNAL GLAZING GASKET
ACVG34	12 x (W/6-134) + 12 x (H-271)	INTERNAL GLAZING GASKET



IMPORTANT NOTE:
Min. Sash Width 700mm / Max. Vent Width 1000mm
Max. Sash Weight 100kg
Max. Sash Height 2400mm Dependant On Site Conditions
Always Measure In the Last Vent.



Do Not Scale From This Drawing

Single Door With Standard Threshold - Open Out

PROFILE CUTTING SCHEDULE

DV14		2		W
DV14		2		H
DV23		1		W-182
DV24		2		H-84
DV25		1		W-182
DV51		2		H-295
DV56		1		H-84
DV63 or DV67		2		W-182
DV63 or DV67		2		H-261 H-295
VG52		4		W-62
VG52		4		H-62
PCX36		1		H-84

Note: PCX15 required for leaf heights over 2285mm.

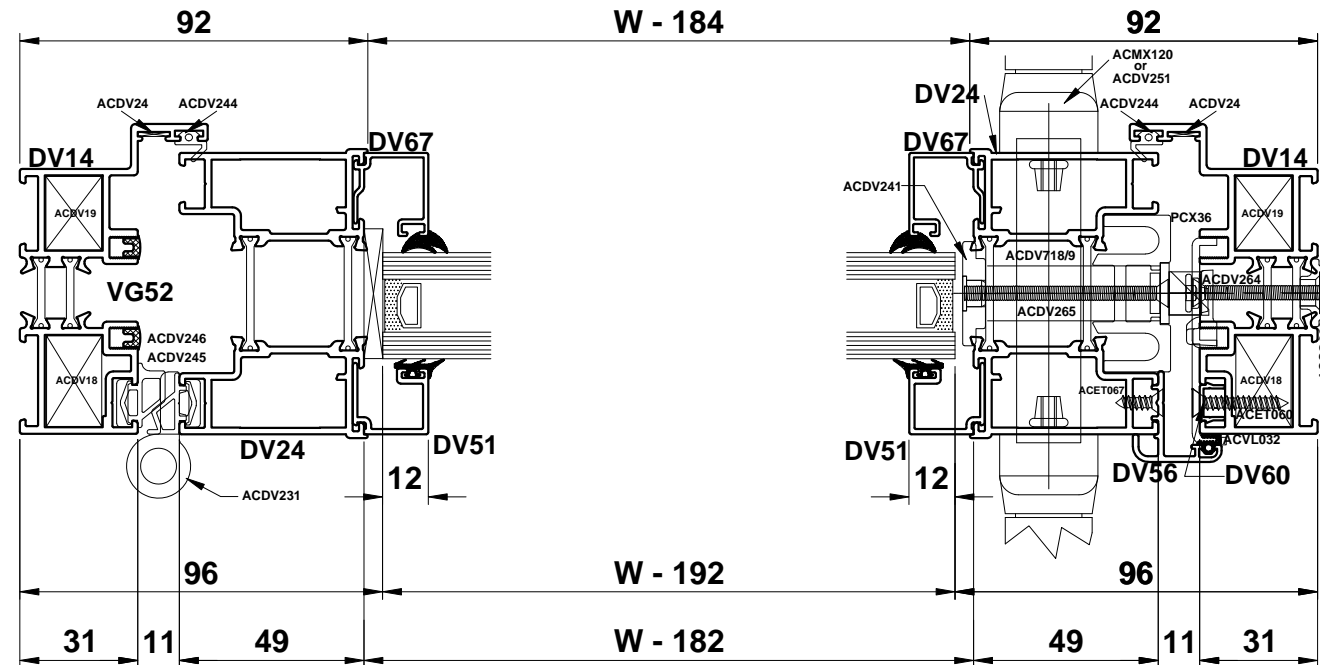
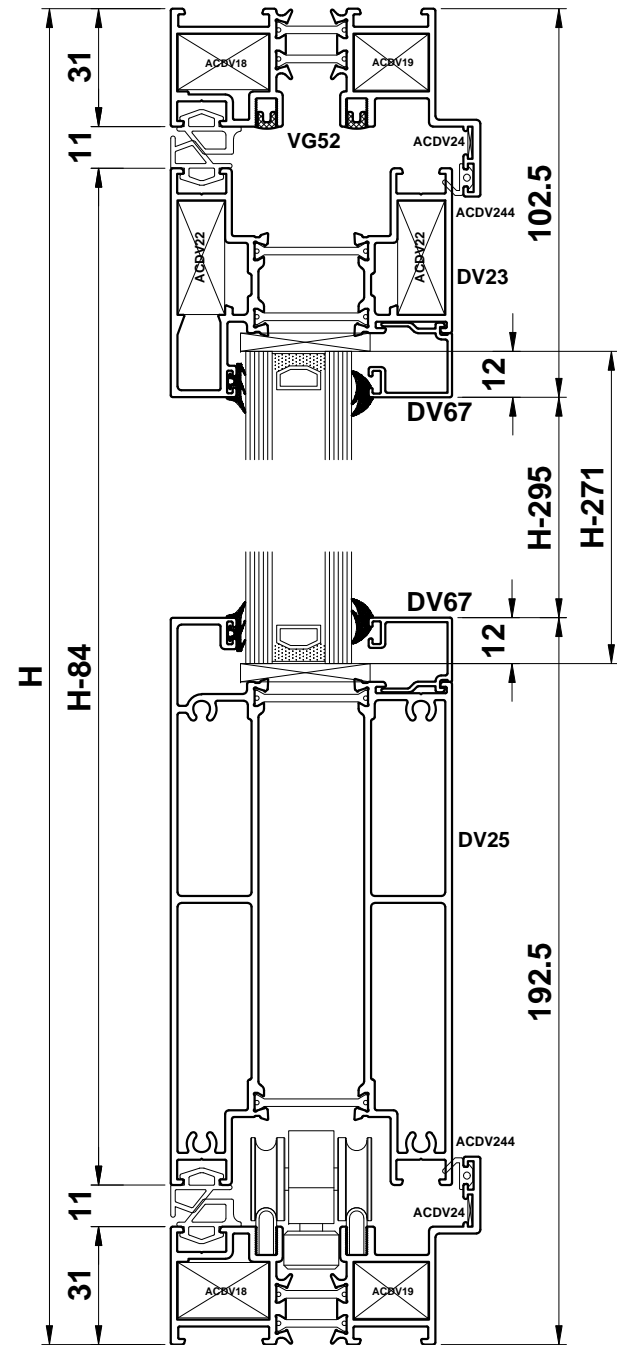
GLASS SIZES	1 X	W - 192
		H - 271.5

IMPORTANT NOTE:

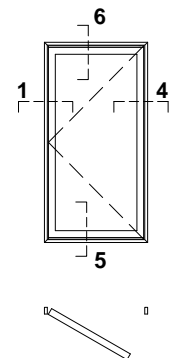
Min. Sash Width 700mm / Max. Vent Width 1000mm
Max. Sash Weight 100kg
Max. Sash Height 2400mm Dependant On Site Conditions
Always Measure In the Last Vent.

ACCESSORIES

ACDV18	4	CLEAT FOR DV14
ACDV19	4	CLEAT FOR DV14
ACDV22	4	CLEAT FOR DV23
ACDV24	4	CHEVRON FOR DV14
ACDV244	2 x (W-90) + 2 x (H-90)	FLIPPER GASKET
ACDV245	2 x (W-62)	SEALING GASKET
ACDV245	1 x (H-84)	SEALING GASKET
ACDV246	2 x (W-84)	SEALING GASKET
ACDV246	1 x (H-84)	SEALING GASKET
ACDV231	4	INTERMEDIATE HINGE
ACDV718/9	1	MULTI-POINT LOCK
ACDV251	1 (PAIR)	LEVER HANDLES
ACDV56	1 (PAIR)	END CAP FOR DV56
ACDV252	1	KEEP GUIDE
ACDV257	1 (SET OF 4)	INFILL BLOCK
ACVL032	1 x (H-84)	DV56 FLIPPER GASKET
ACDV258	1	50/50 CYLINDER
ACET131	2	DRAIN HOLE COVER
ACET060	35	SCREW FOR ACDV252
ACET067	11	SCREW FOR DV56
ACET069	4	DV23
ACDR052	8	SCREW FOR DV25
ACDV241	11	FIXING BLOCK FOR LOCK
ACDV264	11	FIXING SCREW FOR KEEP
ACDV265	11	FIXING SCREW FOR LOCK
ACSG023	11	FIXING BLOCK FOR KEEP
ACVG31	2 x (W-192) + 2 x (H-271)	EXTERNAL GLAZING GASKET
ACVG34	2 x (W-192) + 2 x (H-271)	INTERNAL GLAZING GASKET

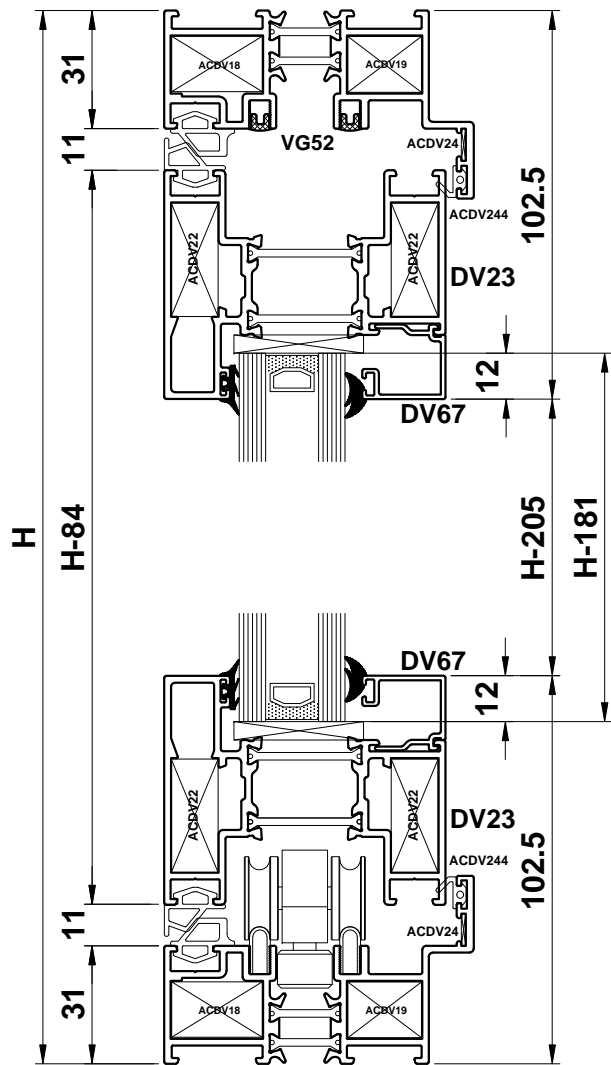


Single Door



Do Not Scale From This Drawing

Single Door With DV23 & Standard Threshold - Open Out



DV14		2		W
DV14		2		H
DV23		2		W-182
DV24		2		H-84
DV51		2		H-205
DV56		1		H-84
DV63 or DV67		2		W-182
DV63 or DV67		2		H-239
				H-205
VG52		4		W-62
VG52		4		H-62
PCX36		1		H-84

Note: PCX15 required for leaf heights over 2285mm.

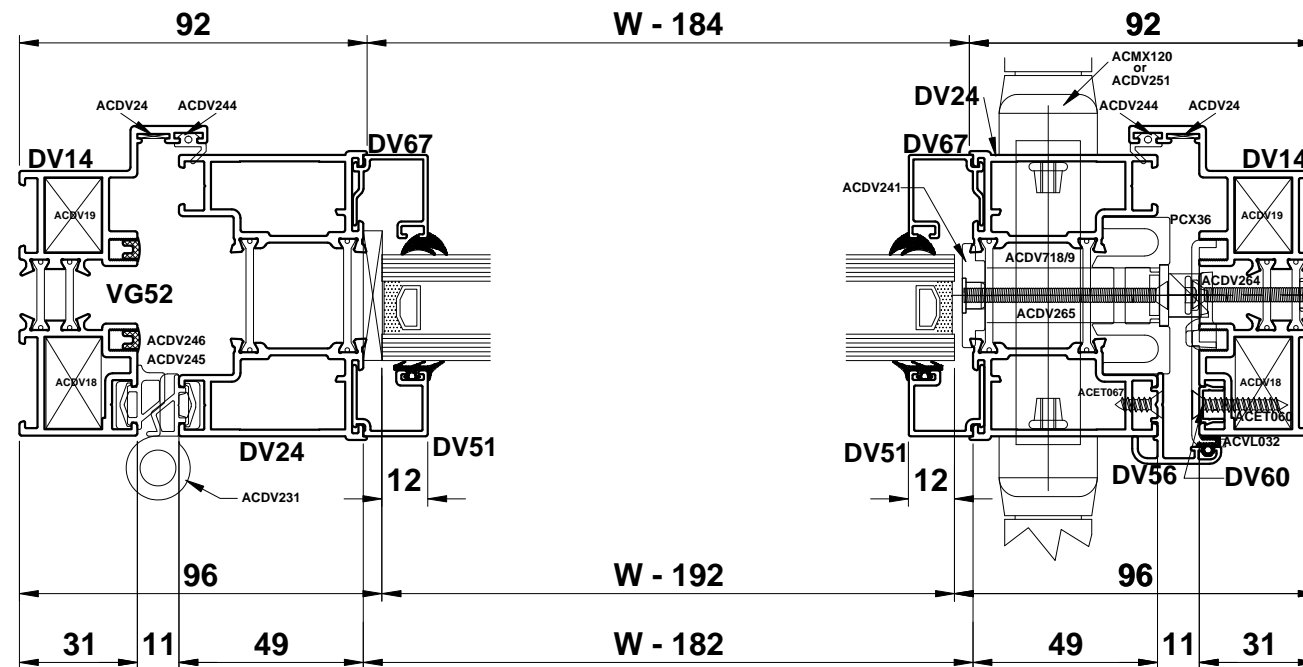
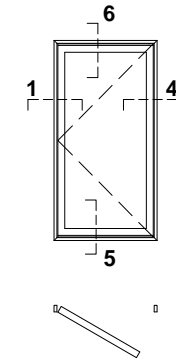
GLASS SIZES	1 X	W - 192
		H - 181

IMPORTANT NOTE:

Min. Sash Width 700mm / Max. Vent Width 1000mm
Max. Sash Weight 100kg
Max. Sash Height 2400mm Dependant On Site Conditions
Always Measure In the Last Vent.

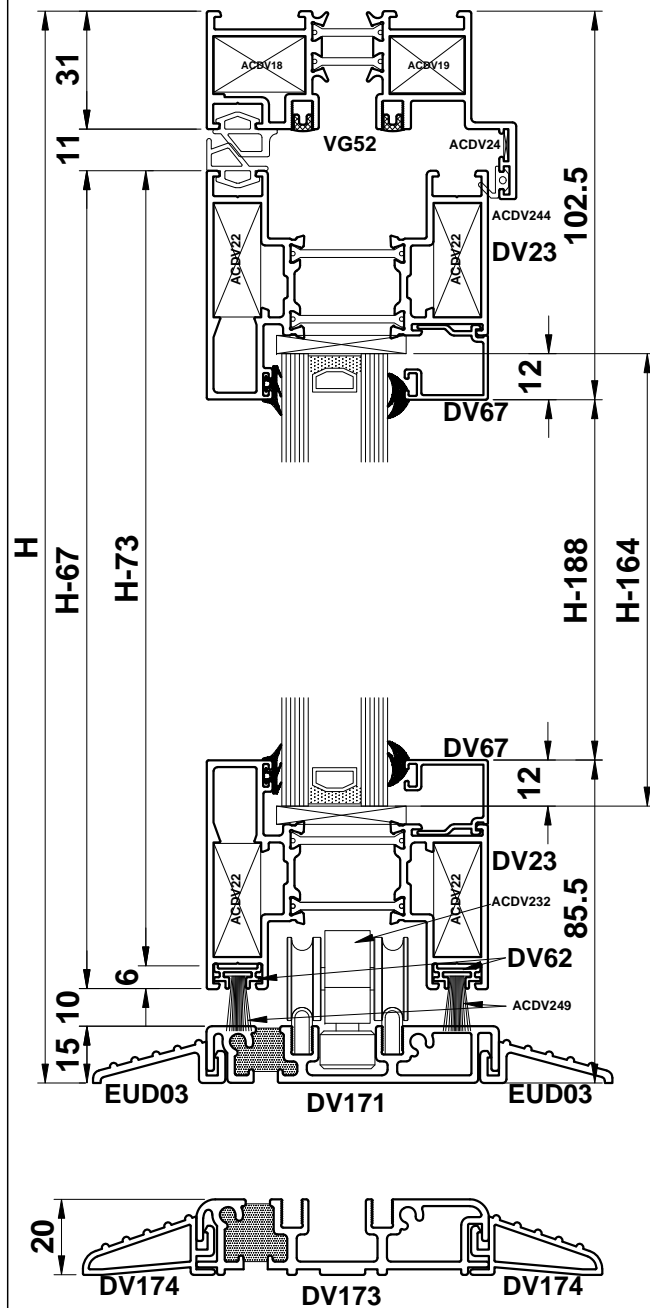
ACDV18	4	CLEAT FOR DV14
ACDV19	4	CLEAT FOR DV14
ACDV22	8	CLEAT FOR DV23
ACDV24	4	CHEVRON FOR DV14
ACDV244	2 x (W-90) + 2 x (H-90)	FLIPPER GASKET
ACDV245	2 x (W-62) + 1 x (H-62)	SEALING GASKET
ACDV245	1 x (H-84)	SEALING GASKET
ACDV246	2 x (W-84)	SEALING GASKET
ACDV246	1 x (H-84)	SEALING GASKET
ACDV231	4	INTERMEDIATE HINGE
ACDV718/9	1	MULTI-POINT LOCK
ACDV251	1 (PAIR)	LEVER HANDLES
ACDV56	1 (PAIR)	END CAP FOR DV56
ACDV252	1	KEEP GUIDE
ACDV257	1 (SET OF 4)	INFILL BLOCK
ACVL032	1 x (H-84)	DV56 FLIPPER GASKET
ACDV258	1	50/50 CYLINDER
ACET131	2	DRAIN HOLE COVER
ACET060	35	SCREW FOR ACDV252
ACET067	11	SCREW FOR DV56
ACET069	4	DV23
ACDR052	8	SCREW FOR DV25
ACDV241	11	FIXING BLOCK FOR LOCK
ACDV264	11	FIXING SCREW FOR KEEP
ACDV265	11	FIXING SCREW FOR LOCK
ACSG023	11	FIXING BLOCK FOR KEEP
ACVG31	2 x (W-192) + 2 x (H-271)	EXTERNAL GLAZING GASKET
ACVG34	2 x (W-192) + 2 x (H-271)	INTERNAL GLAZING GASKET

Single Door



Do Not Scale From This Drawing

Single Door With DV23 & Low Threshold - Open Out



PROFILE CUTTING SCHEDULE (DV171)

DV14		1	W
DV14		2	H
DV171		1	W-66
EUD03		1	W-66
EUD03		1	W-99
DV23		1	W-182
DV24		2	H-73
DV25		1	W-182
DV51		2	H-188
DV56		1	H-73
DV63 or DV67		2	W-184
DV63 or DV67		2	H-222
DV62		2	W-182
VG52		4	W-62
VG52		4	H-42
PCX36		1	H-73

PROFILE CUTTING SCHEDULE (DV173)

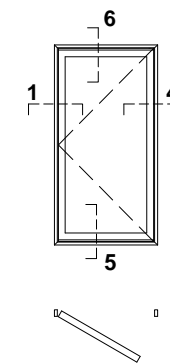
DV173		1	W-66
DV174		1	W-66
DV174		1	W-99
DV24		2	H-78
DV51		2	H-283
DV56		1	H-78
DV63 or DV67		2	H-249
DV63 or DV67		2	H-283
DV60		1	H-51
PCX36		1	H-78

Note: PCX15 required for leaf heights over 2285mm.

ACCESSORIES

ACDV18	4	CLEAT FOR DV14
ACDV19	4	CLEAT FOR DV14
ACDV22	8	CLEAT FOR DV23
ACDV24	4	CHEVRON FOR DV14
ACDV244	1 x (W-90) + 2 x (H-60)	FLIPPER GASKET
ACDV245	1 x (W-62)	SEALING GASKET
ACDV245	1 x (H-73)	SEALING GASKET
ACDV246	2 x (W-73)	SEALING GASKET
ACDV246	1 x (H-73)	SEALING GASKET
ACDV249	1 x (W-182)	WOOLPILE
ACDV231	4	INTERMEDIATE HINGE
ACDV718/9	1	MULTI-POINT LOCK
ACDV251	1 (PAIR)	LEVER HANDLES
ACDV56	1 (PAIR)	END CAP FOR DV56
ACDV252	1	KEEP GUIDE
ACDV257	1 (SET OF 4)	INFILL BLOCK
ACVL032	1 x (H-84)	DV56 FLIPPER GASKET
ACDV258	1	50/50 CYLINDER
ACET131	2	DRAIN HOLE COVER
ACET060	2	SCREW FOR ACDV252
ACET067	11	SCREW FOR DV56
ACET069	4	DV23
ACDR052	12	SCREW FOR DV25
ACDV241	11	FIXING BLOCK FOR LOCK
ACDV264	11	FIXING SCREW FOR KEEP
ACDV265	11	FIXING SCREW FOR LOCK
ACSG023	11	FIXING BLOCK FOR KEEP
ACVG31	2 x (W-192) + 2 x (H-254)	EXTERNAL GLAZING GASKET
ACVG34	2 x (W-192) + 2 x (H-254)	INTERNAL GLAZING GASKET
ACDV261	1 (SET OF 4)	INFILL BLOCK
ACDV171/3	1 (PAIR)	END CAPS FOR DV171/173

Single Door

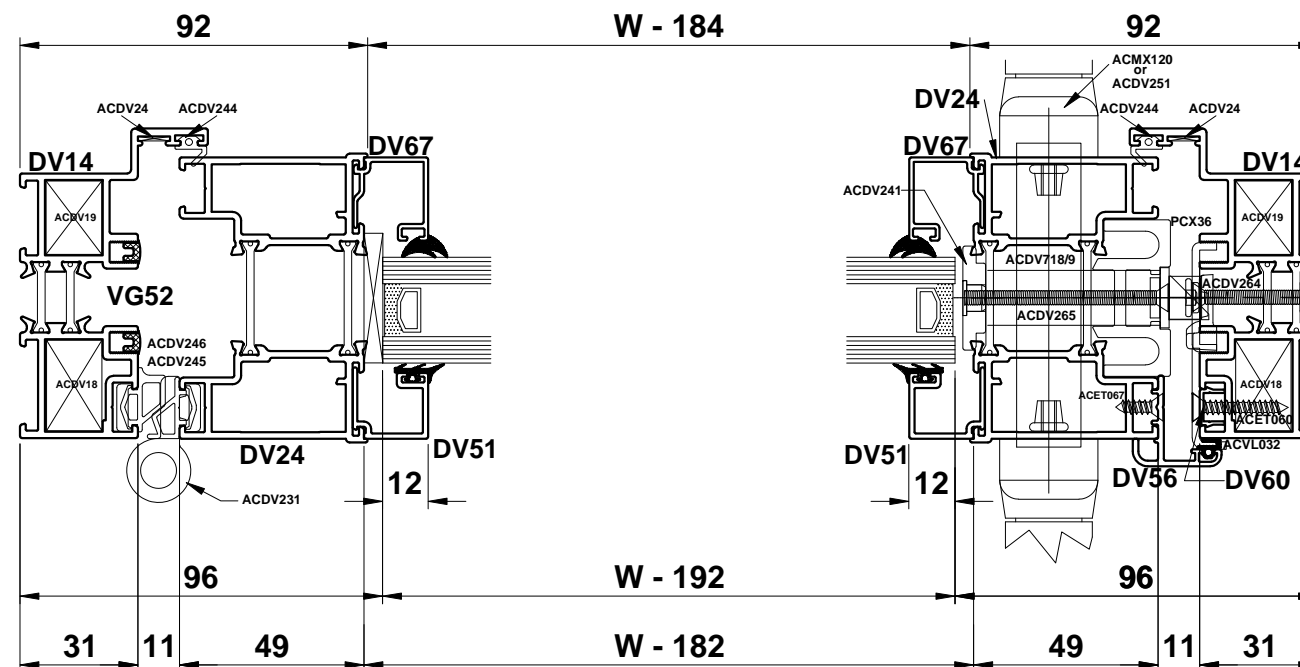


GLASS DEDUCTIONS

DV171	1 x	W - 192	H - 164
DV173	1 x	W - 192	H - 169

IMPORTANT NOTE:

Min. Sash Width 700mm / Max. Vent Width 1000mm
Max. Sash Weight 100kg
Max. Sash Height 2400mm Dependant On Site Conditions
Always Measure In the Last Vent.



Do Not Scale From This Drawing

Double Door With Standard Threshold - Open Out

PROFILE CUTTING SCHEDULE

DV14		2	W
DV14		2	H
DV23		2	W/2-150
DV24		4	H-84
DV25		2	W/2-150
DV51		4	H-295
DV56		2	H-84
DV63 or DV67		4	W/2-152
DV63 or DV67		4	H-261 H-295
VG52		4	W-62
VG52		4	H-62
PCX36		2	H-84
DV68		2	H-84
PCX15		1	H-84

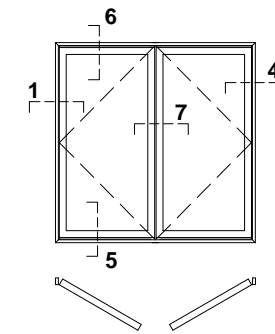
Note: PCX15 required for master door if leaf height is over 2285mm.

GLASS SIZES	2 X	W/2 - 159.5
		H - 271.5

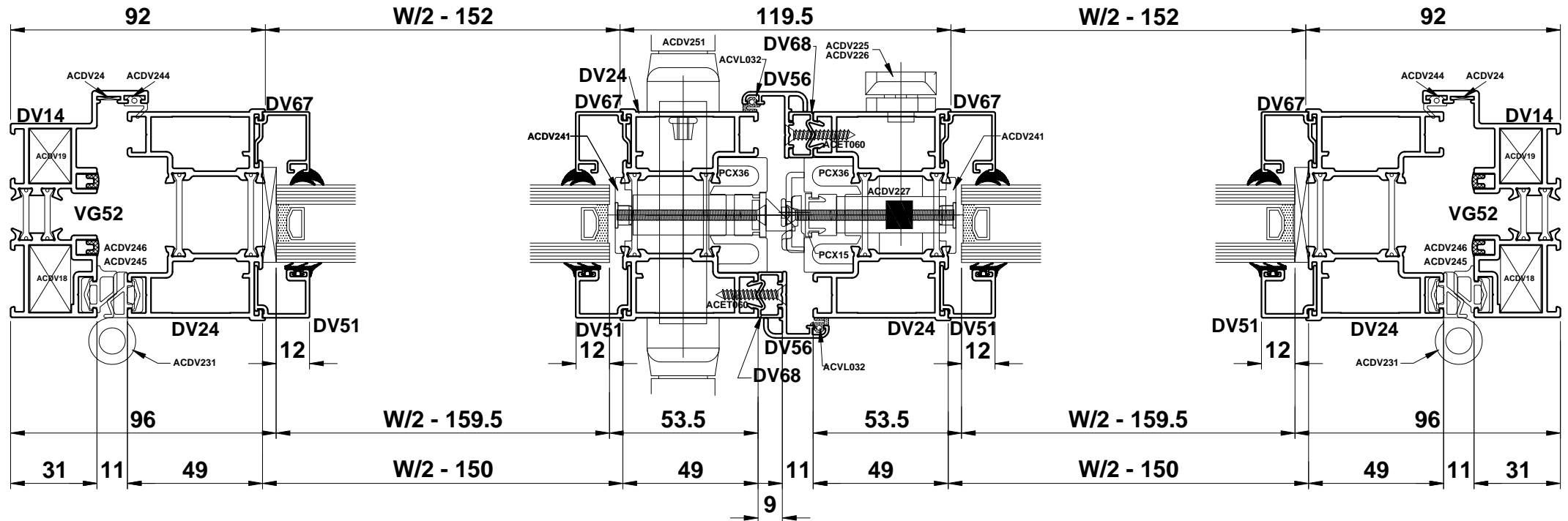
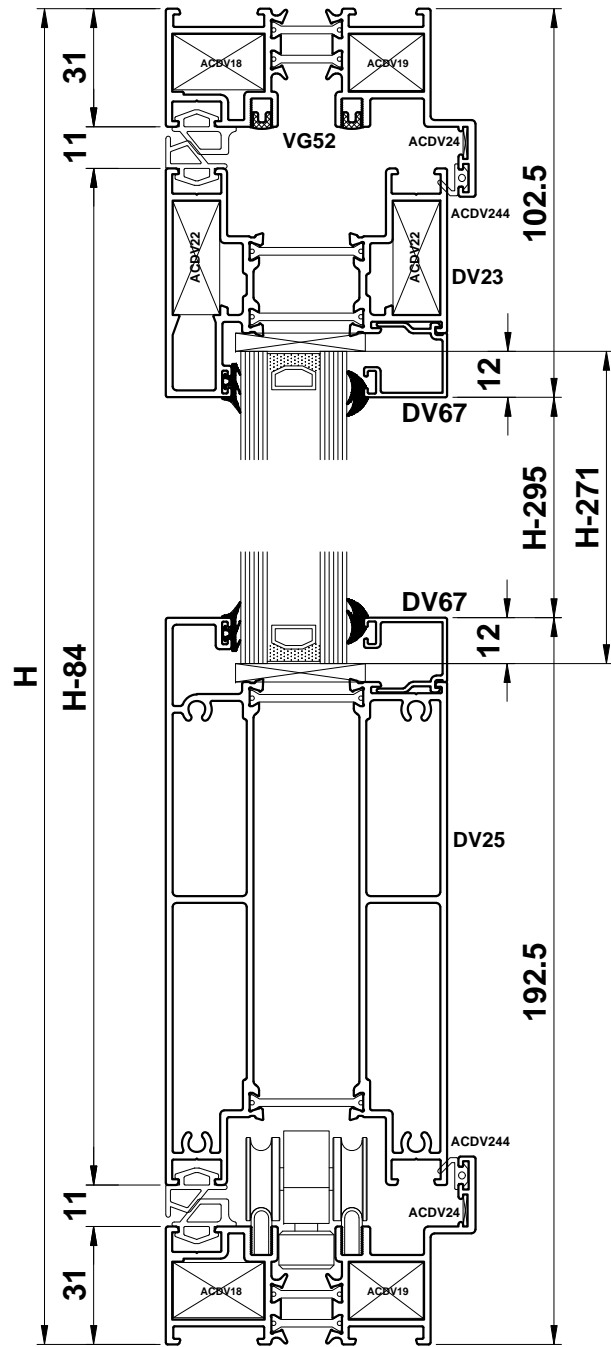
ACCESSORIES

ACDV18	4	CLEAT FOR DV14
ACDV19	4	CLEAT FOR DV14
ACDV22	8	CLEAT FOR DV23
ACDV24	4	CHEVRON FOR DV14
ACDV225 or 226	1	SHOOTBOLT HANDLE
ACDV227	1	SHOOTBOLT GEARBOX
ACDV228	1 (PAIR)	SHOOTBOLT ROD
ACDV259	1 (PAIR)	SHOOTBOLT GUIDE
ACDV244	2 x (W-90) + 2 x (H-90)	FLIPPER GASKET
ACDV245	2 x (W-62)	SEALING GASKET
ACDV245	2 x (H-84)	SEALING GASKET
ACDV246	2 x (W/2-150)	SEALING GASKET
ACDV246	2 x (H-84)	SEALING GASKET
ACDV231	8	INTERMEDIATE HINGE
ACDV718/9	1	MULTI-POINT LOCK
ACDV251	1 (PAIR)	LEVER HANDLES
ACDV56	1 (PAIR)	END CAP FOR DV56
ACDV257	2 (SET OF 4)	INFILL BLOCK
ACVL032	2 x (H-84)	DV56 FLIPPER GASKET
ACDV258 (SL)	1	50/50 CYLINDER
ACET131	2	DRAIN HOLE COVER
ACET060	22	SCREW FOR DV56
ACET069	6	SCREW FOR DV23 & ACDV225/6
ACDR052	16	SCREW FOR DV25
ACDV241	22	FIXING BLOCK FOR LOCK & KEEPS
ACDV265	22	FIXING SCREW FOR LOCK & KEEPS
ACVG31	2 x (W-192) + 2 x (H-271)	EXTERNAL GLAZING GASKET
ACVG34	2 x (W-192) + 2 x (H-271)	INTERNAL GLAZING GASKET
ACMX01603 (SL)	1	HALF CYLINDER

Double Door

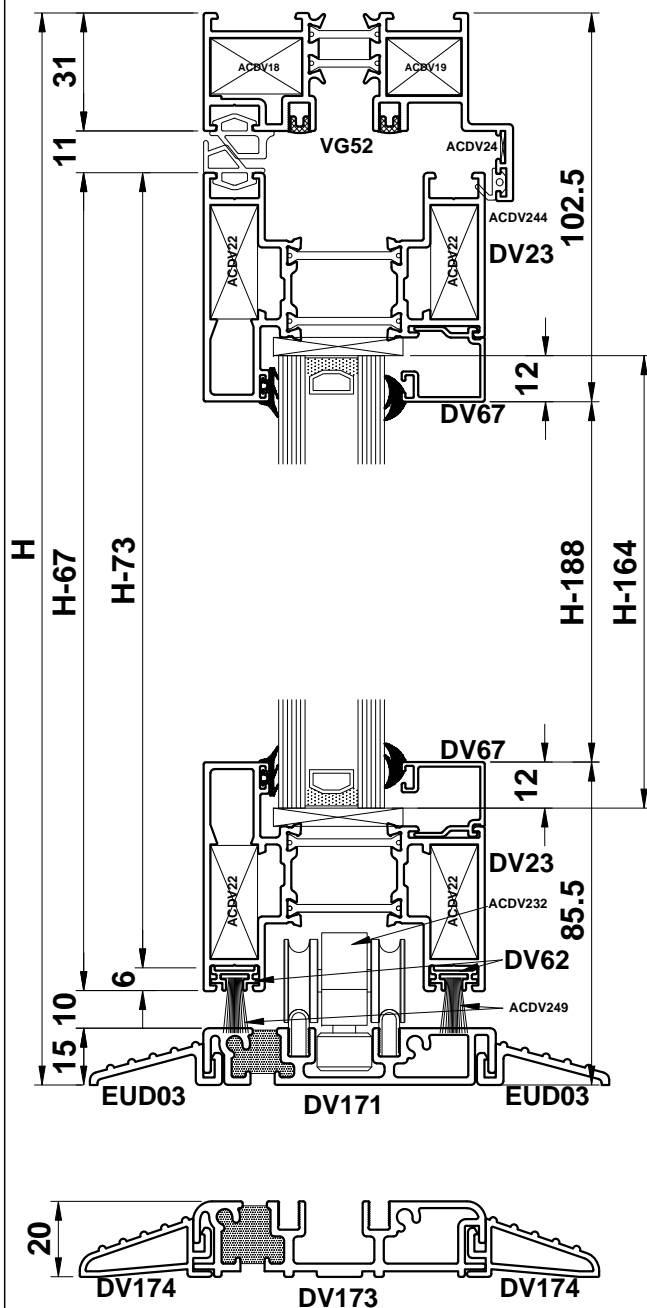


IMPORTANT NOTE:
Min. Sash Width 700mm / Max. Vent Width 1000mm
Max. Sash Weight 100kg
Max. Sash Height 2400mm Dependant On Site Conditions
Always Measure In the Last Vent.



Do Not Scale From This Drawing

Double Door With DV23 & Low Threshold - Open Out



PROFILE CUTTING SCHEDULE (DV171)

DV14		1	W
DV14		2	H
DV171		1	W-66
EUD03		1	W-66
EUD03		1	W-99
DV23		4	W/2-150
DV24		4	H-73
DV51		4	H-278
DV56		2	H-73
DV63 or DV67		4	W/2-152
DV63 or DV67		4	H-244 H-278
DV62		2	W/2-150
VG52		4	W-62
VG52		4	H-42
PCX36		2	H-73
DV68		2	H-73
PCX15		1	H-73

Note: PCX15 required for master door if leaf height

IMPORTANT NOTE:

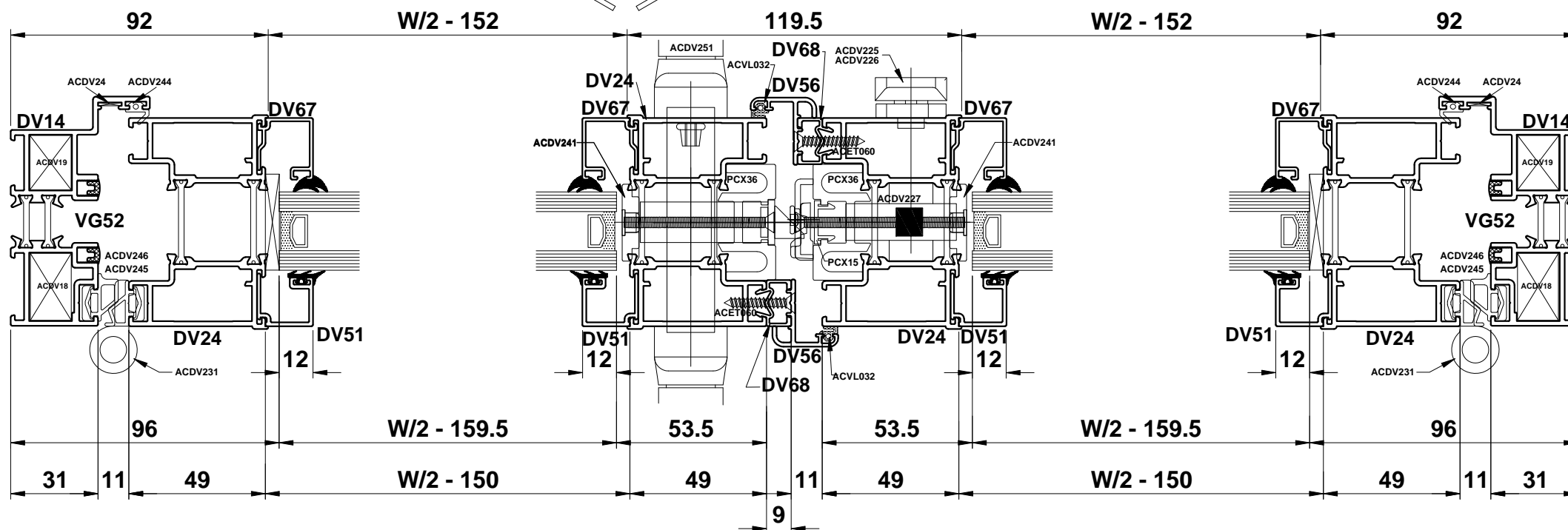
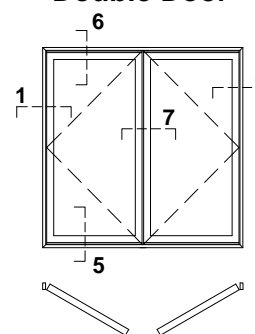
Min. Sash Width 700mm / Max. Vent Width 1000mm
Max. Sash Weight 100kg
Max. Sash Height 2400mm Dependant On Site Conditions
Always Measure In the Last Vent.

PROFILE CUTTING SCHEDULE (DV173)

DV173		1	W-66
DV174		1	W-66
DV174		1	W-99
DV24		4	H-78
DV51		4	H-283
DV56		2	H-78
DV63 or DV67		4	H-249 H-283
PCX36		2	H-78
DV68		2	H-78
PCX15		1	H-78

DV171	2 x	W - 159.5	H - 164
DV173	2 x	W - 159.5	H - 164

Double Door

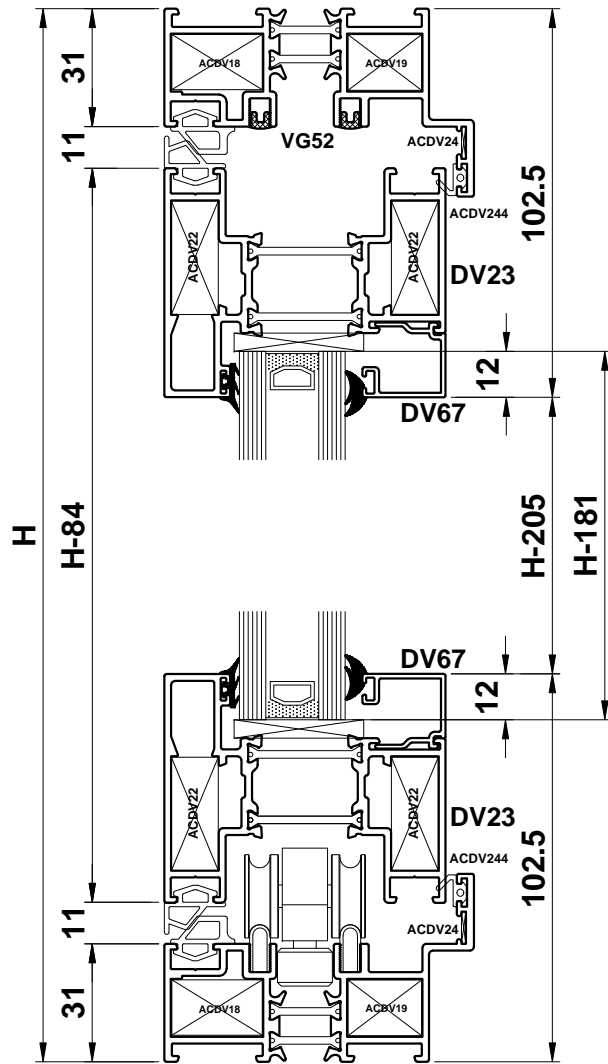


ACCESSORIES

ACDV18	4	CLEAT FOR DV14
ACDV19	4	CLEAT FOR DV14
ACDV22	16	CLEAT FOR DV23
ACDV24	4	CHEVRON FOR DV14
ACDV225 or 226	1	SHOOTBOLT HANDLE
ACDV227	1	SHOOTBOLT GEARBOX
ACDV228	1 (PAIR)	SHOOTBOLT ROD
ACDV259	1 (PAIR)	SHOOTBOLT GUIDE
ACDV244	1 x (W-90) + 2 x (H-90)	FLIPPER GASKET
ACDV245	1 x (W-62)	SEALING GASKET
ACDV245	2 x (H-84)	SEALING GASKET
ACDV246	1 x (W/2-150)	SEALING GASKET
ACDV246	2 x (H-84)	SEALING GASKET
ACDV249	1 x (W/2-150)	WOOLPILE
ACDV231	8	INTERMEDIATE HINGE
ACDV18/9	1	MULTI-POINT LOCK
ACDV251	1 (PAIR)	LEVER HANDLES
ACDV56	1 (PAIR)	END CAP FOR DV56
ACDV257	1 (SET OF 4)	INFILL BLOCK
ACVL032	2 x (H-84)	DV56 FLIPPER GASKET
ACDV258 (SL)	1	50/50 CYLINDER
ACET131	2	DRAIN HOLE COVER
ACET060	22	SCREW FOR DV56
ACET069	6	SCREW FOR DV23 & ACDV225/6
ACDR052	4	SCREW FOR DV25 & DV171/3
ACDV241	22	FIXING BLOCK FOR LOCK & KEEPS
ACDV265	22	FIXING SCREW FOR LOCK & KEEPS
ACVG31	2 x (W-192) + 2 x (H-271)	EXTERNAL GLAZING GASKET
ACVG34	2 x (W-192) + 2 x (H-271)	INTERNAL GLAZING GASKET
ACMX01603 (SL)	1	HALF CYLINDER
ACDV261	1 (SET OF 4)	INFILL BLOCK
ACDV171/3	1 (PAIR)	END CAPS FOR DV171/173

Do Not Scale From This Drawing

Double Door With DV23 & Standard Threshold - Open Out



PROFILE CUTTING SCHEDULE

DV14		2	W
DV14		2	H
DV23		4	W/2-150
DV24		4	H-84
DV51		4	H-205
DV56		2	H-84
DV63 or DV67		4	W-182
DV63 or DV67		4	H-239
VG52		4	W-62
VG52		4	H-62
PCX36		2	H-84
DV68		2	H-84
PCX15		1	H-84

Note: PCX15 required for master door if leaf height is over 2285mm.

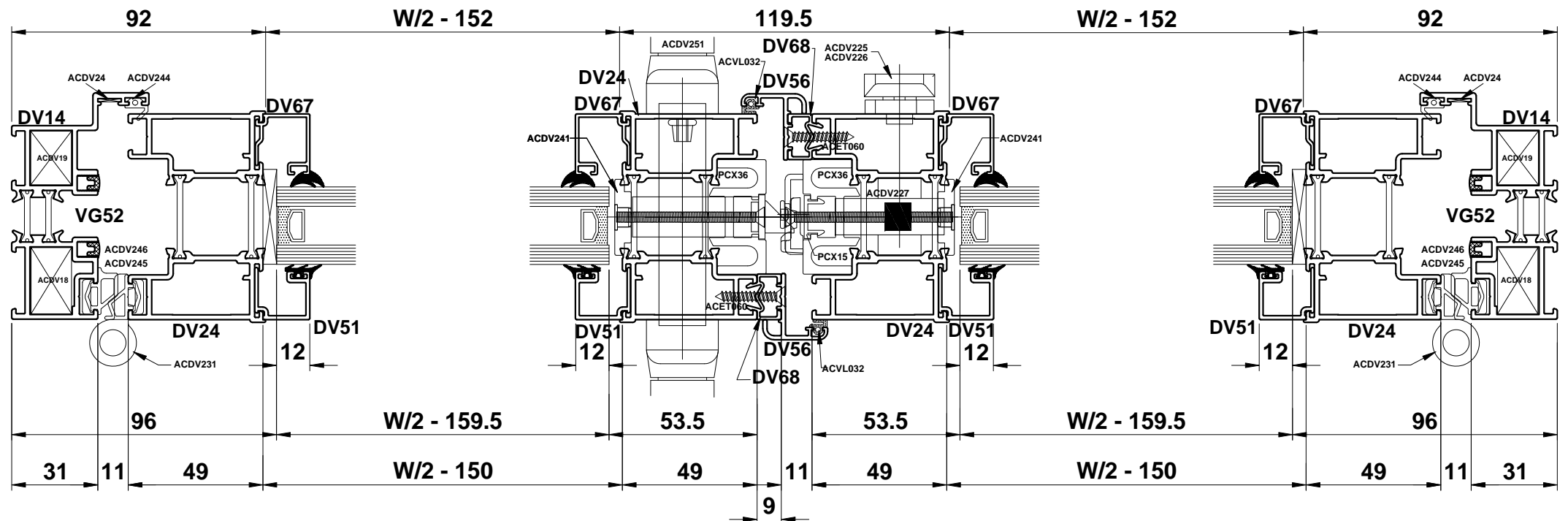
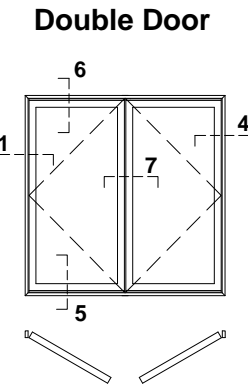
GLASS SIZES	W/2 - 152
2 X	H - 181

IMPORTANT NOTE:

Min. Sash Width 700mm / Max. Vent Width 1000mm
Max. Sash Weight 100kg
Max. Sash Height 2400mm Dependant On Site Conditions
Always Measure In the Last Vent.

ACCESSORIES

ACDV18	4	CLEAT FOR DV14
ACDV19	4	CLEAT FOR DV14
ACDV22	16	CLEAT FOR DV23
ACDV24	4	CHEVRON FOR DV14
ACDV225 or 226	1	SHOOTBOLT HANDLE
ACDV227	1	SHOOTBOLT GEARBOX
ACDV228	1 (PAIR)	SHOOTBOLT ROD
ACDV259	1 (PAIR)	SHOOTBOLT GUIDE
ACDV244	2 x (W-90) + 2 x (H-90)	FLIPPER GASKET
ACDV245	2 x (W-62)	SEALING GASKET
ACDV245	2 x (H-84)	SEALING GASKET
ACDV246	2 x (W/2-150)	SEALING GASKET
ACDV246	2 x (H-84)	SEALING GASKET
ACDV231	8	INTERMEDIATE HINGE
ACDV718/9	1	MULTI-POINT LOCK
ACDV251	1 (PAIR)	LEVER HANDLES
ACDV56	1 (PAIR)	END CAP FOR DV56
ACDV257	2 (SET OF 4)	INFILL BLOCK
ACVL032	2 x (H-84)	DV56 FLIPPER GASKET
ACDV258 (SL)	1	50/50 CYLINDER
ACET131	2	DRAIN HOLE COVER
ACET060	22	SCREW FOR DV56
ACET069	6	SCREW FOR DV23 & ACDV225/6
ACDR052	4	SCREW FOR DV25
ACDV241	22	FIXING BLOCK FOR LOCK & KEEPS
ACDV265	22	FIXING SCREW FOR LOCK & KEEPS
ACVG31	2 x (W-192) + 2 x (H-271)	EXTERNAL GLAZING GASKET
ACVG34	2 x (W-192) + 2 x (H-271)	INTERNAL GLAZING GASKET
ACMX01603 (SL)	1	HALF CYLINDER



Do Not Scale From This Drawing

Type 2i With Rebated Threshold - Open In

PROFILE CUTTING SCHEDULE

DV14		2	W
DV14		2	H
DV23		3	W/3-133.5
DV24		6	H-84
DV25		3	W/3-133.5
DV51		6	H-295
DV56		1	H-84
DV63 or DV67		6	W/3-135
DV63 or DV67		6	H-261 H-295
DV60		1	H-62
VG52		2	W-62
VG52		4	H-62
VG53		2	W-62
PCX36		1	H-84

Note: PCX15 required for leaf heights over 2285mm.

GLASS SIZES		W/3 - 142.5
3 X		H - 271

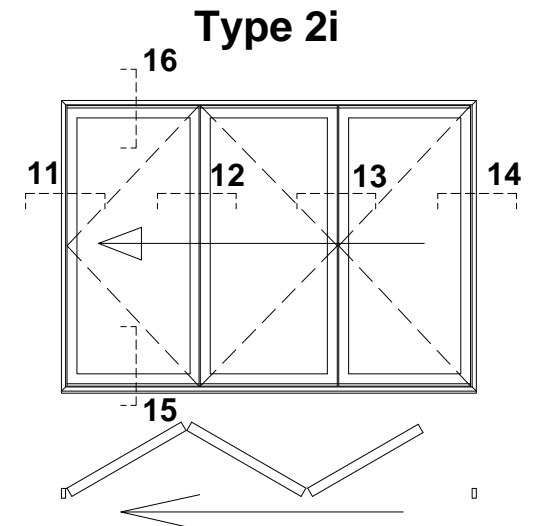
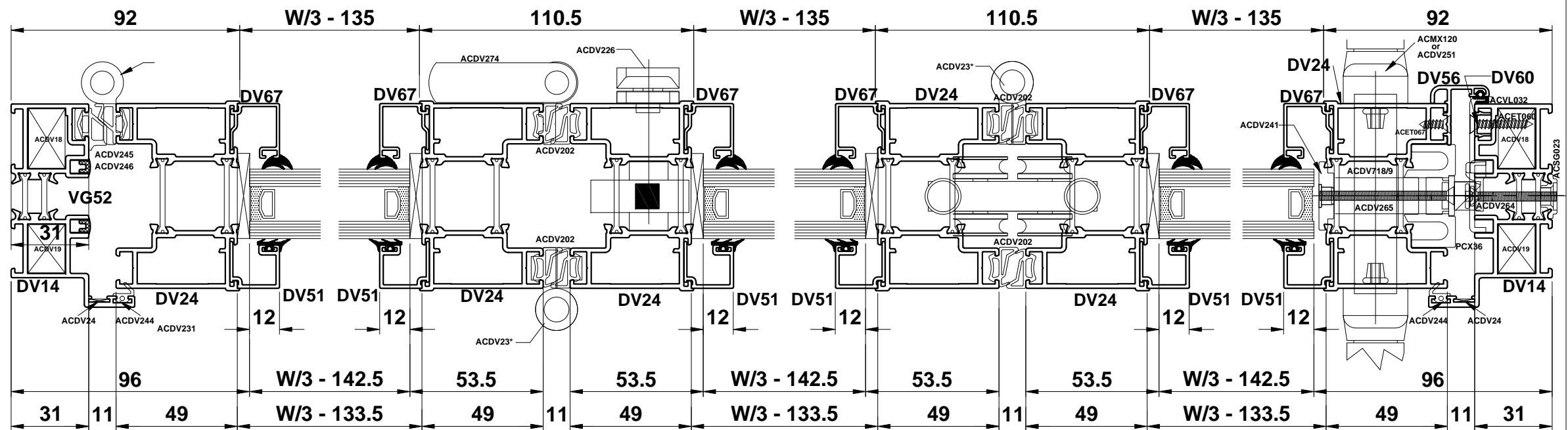
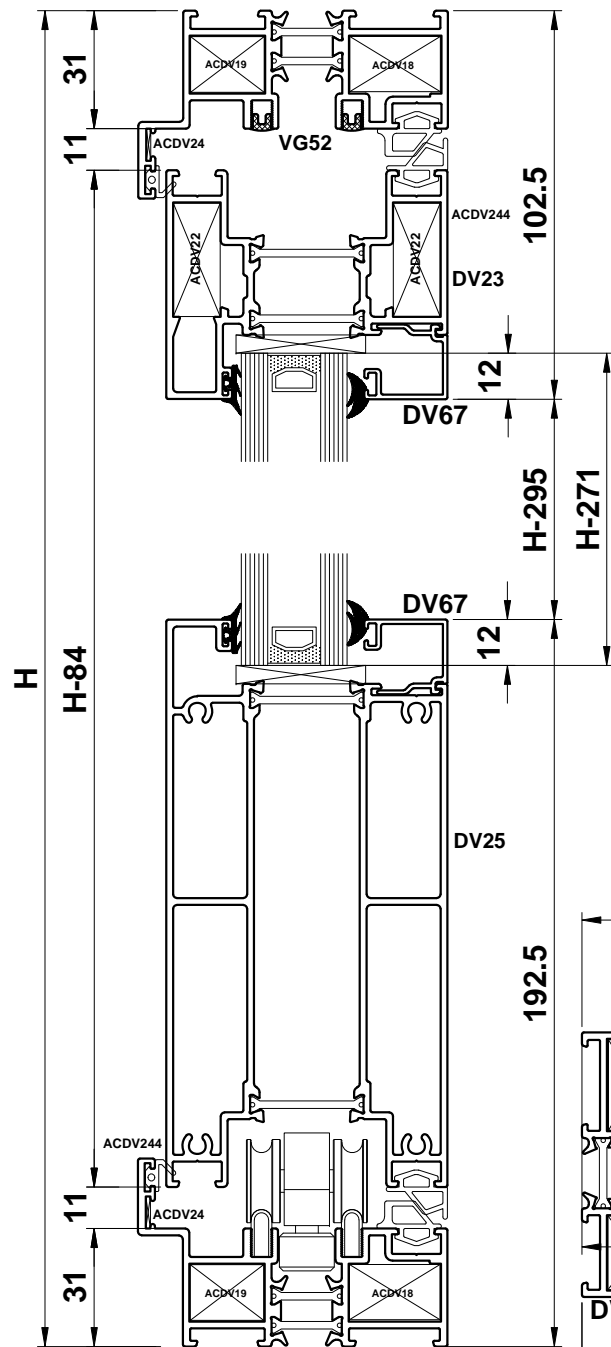
IMPORTANT NOTE:

Min. Sash Width 700mm / Max. Vent Width 1000mm
Max. Sash Weight 100kg
Max. Sash Height 2400mm Dependant On Site Conditions
Always Measure In the Last Vent.

ACCESSORIES

ACDV18	4	CLEAT FOR DV14
ACDV19	4	CLEAT FOR DV14
ACDV22	12	CLEAT FOR DV23
ACDV24	4	CHEVRON FOR DV14
ACDV244	2 x (W-90) + 2 x (H-90)	FLIPPER GASKET
ACDV245	2 x (W-62) + 1 x (H-62)	SEALING GASKET
ACDV202	8 x (H-84)	SEALING GASKET
ACDV246	2 x (W-62) + 1 x (H-62)	SEALING GASKET
ACDV225 or 226	1	SHOOTBOLT HANDLE
ACDV227	1	SHOOTBOLT GEARBOX
ACDV228	1 (PAIR)	SHOOTBOLT ROD
ACDV259	1 (PAIR)	SHOOTBOLT GUIDE
ACDV230	1	SHOOTBOLT COVER
ACDV231	10	INTERMEDIATE HINGE
ACDV232	1	BOTTOM ROLLER HINGE
ACDV233	1	TOP GUIDE HINGE
ACDV274	1	D-HANDLE
ACDV718/9	1	MULTI-POINT LOCK
ACDV251	1 (PAIR)	LEVER HANDLES
ACDV56	1 (PAIR)	END CAP FOR DV56
ACDV252	1	KEEP GUIDE
ACDV257	3 (SET OF 4)	INFILL BLOCK
ACMX01603 (SL)	1	HALF CYLINDER
ACDV258 (SL)	1	50/50 CYLINDER
ACET131	2	DRAIN HOLE COVER
ACDV264	11	SCREW FOR KEEPS
ACDV265	11	SCREW FOR LOCK
ACSG023	11	FIXING BLOCK FOR KEEPS
ACDV241	11	FIXING BLOCK FOR LOCK
ACET060	2	SCREW FOR ACDV252
ACET067	11	SCREW FOR DV56
ACET069	14	SCREW FOR ACDV225/6 & DV23

ACDR052	24	SCREW FOR DV25
ACVG31	6 x (W/3-142) + 6 x (H-272)	EXTERNAL GLAZING GASKET
ACVG34	6 x (W/3-142) + 6 x (H-272)	INTERNAL GLAZING GASKET
ACVL032	1 x (H-67)	DV56 FLIPPER GASKET



Do Not Scale From This Drawing

Type 2i With DV23 & Standard Threshold - Open In

PROFILE CUTTING SCHEDULE

DV14		2		W
DV14		2		H
DV23		6		W/3-133.5
DV24		6		H-84
DV51		6		H-295.5
DV56		1		H-84
DV63 or DV67		6		W/3-135
DV63 or DV67		6		H-239
				H-205
DV60		1		H-62
VG52		2		W-62
VG52		4		H-62
VG53		2		W-62
PCX36		1		H-84

Note: PCX15 required for leaf heights over 2285mm.

GLASS SIZES	
3 X	W/3 - 142.5
	H - 181

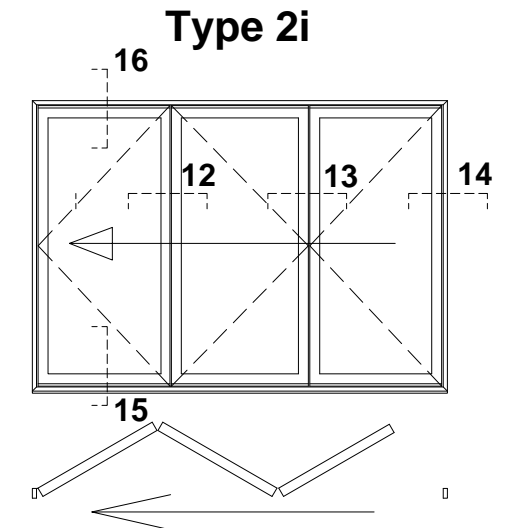
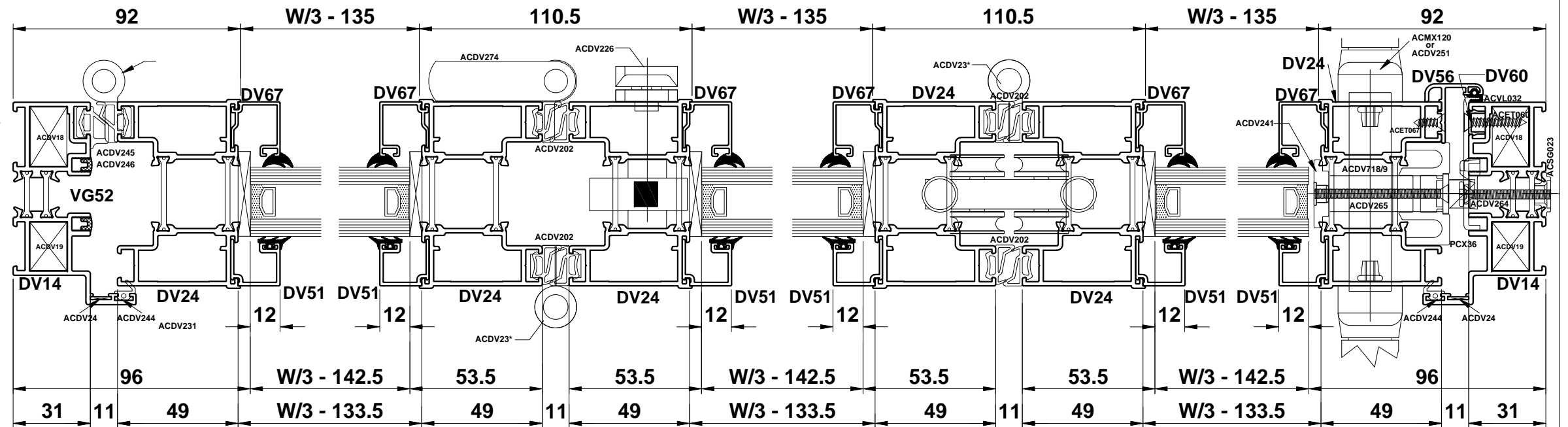
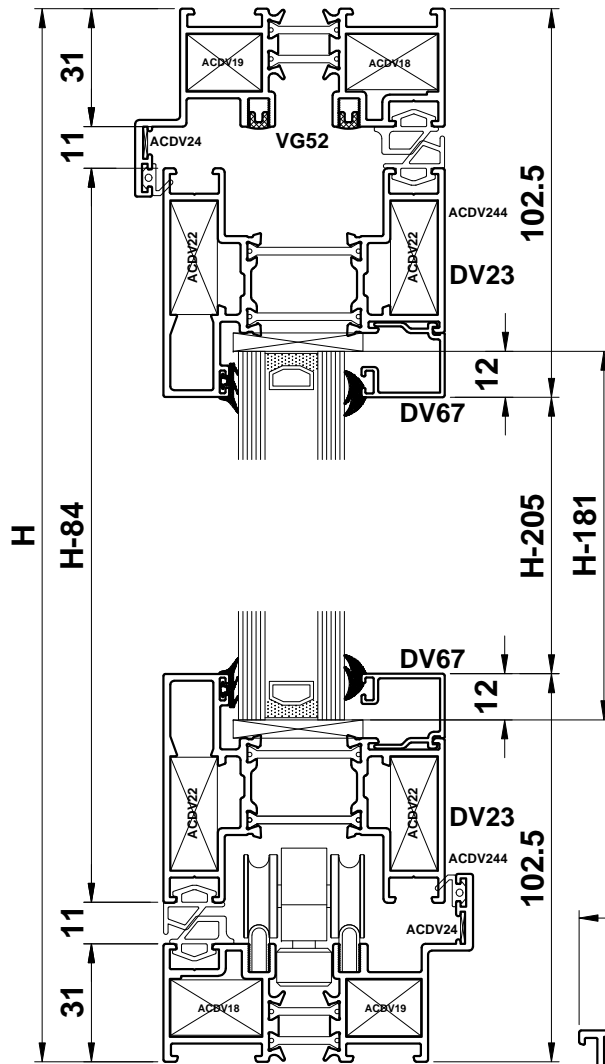
IMPORTANT NOTE:

Min. Sash Width 700mm / Max. Vent Width 1000mm
Max. Sash Weight 100kg
Max. Sash Height 2400mm Dependant On Site Conditions
Always Measure In the Last Vent.

ACCESSORIES

ACDV18	4	CLEAT FOR DV14
ACDV19	4	CLEAT FOR DV14
ACDV22	24	CLEAT FOR DV23
ACDV24	4	CHEVRON FOR DV14
ACDV244	2 x (W-90) + 2 x (H-90)	FLIPPER GASKET
ACDV245	2 x (W-62) + 1 x (H-62)	SEALING GASKET
ACDV202	8 x (H-84)	SEALING GASKET
ACDV246	2 x (W-62) + 1 x (H-62)	SEALING GASKET
ACDV225 or 226	1	SHOOTBOLT HANDLE
ACDV227	1	SHOOTBOLT GEARBOX
ACDV228	1 (PAIR)	SHOOTBOLT ROD
ACDV259	1 (PAIR)	SHOOTBOLT GUIDE
ACDV230	1	SHOOTBOLT COVER
ACDV231	10	INTERMEDIATE HINGE
ACDV232	1	BOTTOM ROLLER HINGE
ACDV233	1	TOP GUIDE HINGE
ACDV274	1	D-HANDLE
ACDV718/9	1	MULTI-POINT LOCK
ACDV251	1 (PAIR)	LEVER HANDLES
ACDV56	1 (PAIR)	END CAP FOR DV56
ACDV252	1	KEEP GUIDE
ACDV257	3 (SET OF 4)	INFILL BLOCK
ACMX01603 (SL)	1	HALF CYLINDER
ACDV258 (SL)	1	CYLINDER
ACET060	2	SCREW FOR ACDV252
ACDV241	11	FIXING BLOCK FOR LOCK
ACET067	11	SCREW FOR DV56
ACET069	26	SCREW FOR ACDV225/6 & DV23
ACDV264	11	SCREW FOR KEEPS
ACDV265	11	SCREW FOR LOCK

ACSG023	11	FIXING PLATE FOR KEEP
ACVG31	6 x (W/3-142) + 6 x (H-181)	EXTERNAL GLAZING GASKET
ACVG34	6 x (W/3-142) + 6 x (H-181)	INTERNAL GLAZING GASKET
ACVL032	1 x (H-67)	DV56 FLIPPER GASKET



Do Not Scale From This Drawing

Type 2i With DV23 & Low Threshold - Open In

PROFILE CUTTING SCHEDULE (DV171)

DV14		1	W
DV14		2	H
DV171		1	W-66
EUD03		1	W-66
EUD03		1	W-99
DV23		6	W/3-133.5
DV24		6	H-73
DV51		6	H-278
DV56		1	H-73
DV63 or DV67		6	W/3-135
DV63 or DV67		6	H-244
DV60		1	H-46
DV62		6	W/3-133.5
VG52		2	W-62
VG52		4	H-42
VG53		2	W-66
PCX36		1	H-73

PROFILE CUTTING SCHEDULE (DV173)

DV173		1	W-66
DV174		1	W-66
DV174		1	W-99
DV24		6	H-78
DV51		6	H-188
DV56		1	H-78
DV63 or DV67		6	H-222
DV60		1	H-51
PCX36		1	H-78

Note: PCX15 required for leaf heights over 2285mm.

ACCESSORIES

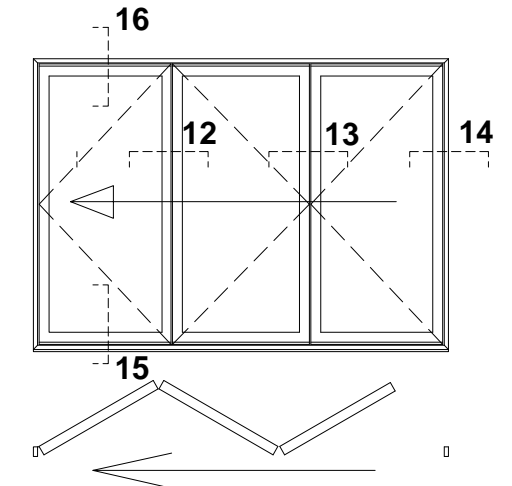
ACDV18	2	CLEAT FOR DV14
ACDV19	2	CLEAT FOR DV14
ACDV22	24	CLEAT FOR DV23
ACDV24	2	CHEVRON FOR DV14
ACDV244	1 x (W-90) + 2 x (H-60)	FLIPPER GASKET
ACDV245	1 x (W-62) + 1 x (H-46)	SEALING GASKET
ACDV202	8 x (H-67)	SEALING GASKET
ACDV246	1 x (W-62) + 1 x (H-46)	SEALING GASKET
ACDV225 or 226	1	SHOOTBOLT HANDLE
ACDV227	1	SHOOTBOLT GEARBOX
ACDV228	1 (PAIR)	SHOOTBOLT ROD
ACDV259	1 (PAIR)	SHOOTBOLT GUIDE
ACDV230	1	SHOOTBOLT COVER
ACDV231	10	INTERMEDIATE HINGE
ACDV232	1	BOTTOM ROLLER HINGE
ACDV233	1	TOP GUIDE HINGE
ACDV274	1	D-HANDLE
ACDV718/9	1	MULTI-POINT LOCK
ACDV251	1 (PAIR)	LEVER HANDLES
ACDV56	1 (PAIR)	END CAP FOR DV56
ACDV252	1	KEEP GUIDE
ACDV257	4 (SET OF 4)	INFILL BLOCK
ACDV171/173	1 (PAIR)	END CAPS FOR DV171/173
ACMX01603 (SL)	1	HALF CYLINDER
ACDV258 (SL)	1	CYLINDER
ACET060	2	SCREW FOR ACDV252
ACDV264	11	SCREW FOR KEEPS
ACDV265	11	SCREW FOR LOCK
ACDV241	11	FIXING BLOCK FOR LOCK
ACET067	11	SCREW FOR DV56

IMPORTANT NOTE:

Min. Sash Width 700mm / Max. Vent Width 1000mm
Max. Sash Weight 100kg
Max. Sash Height 2400mm Dependant On Site Conditions
Always Measure In the Last Vent.

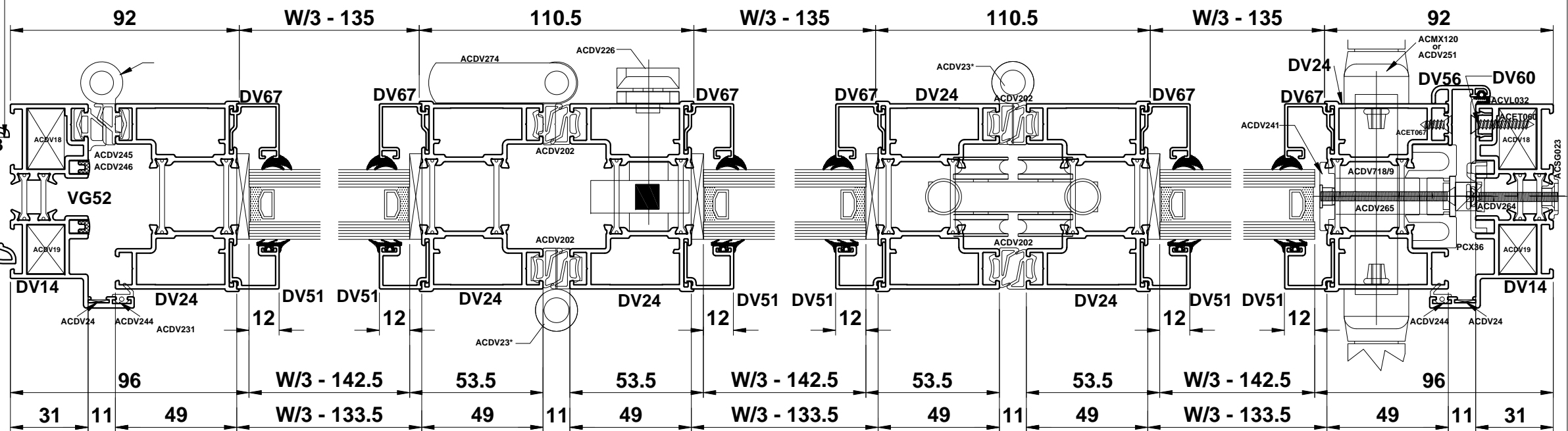
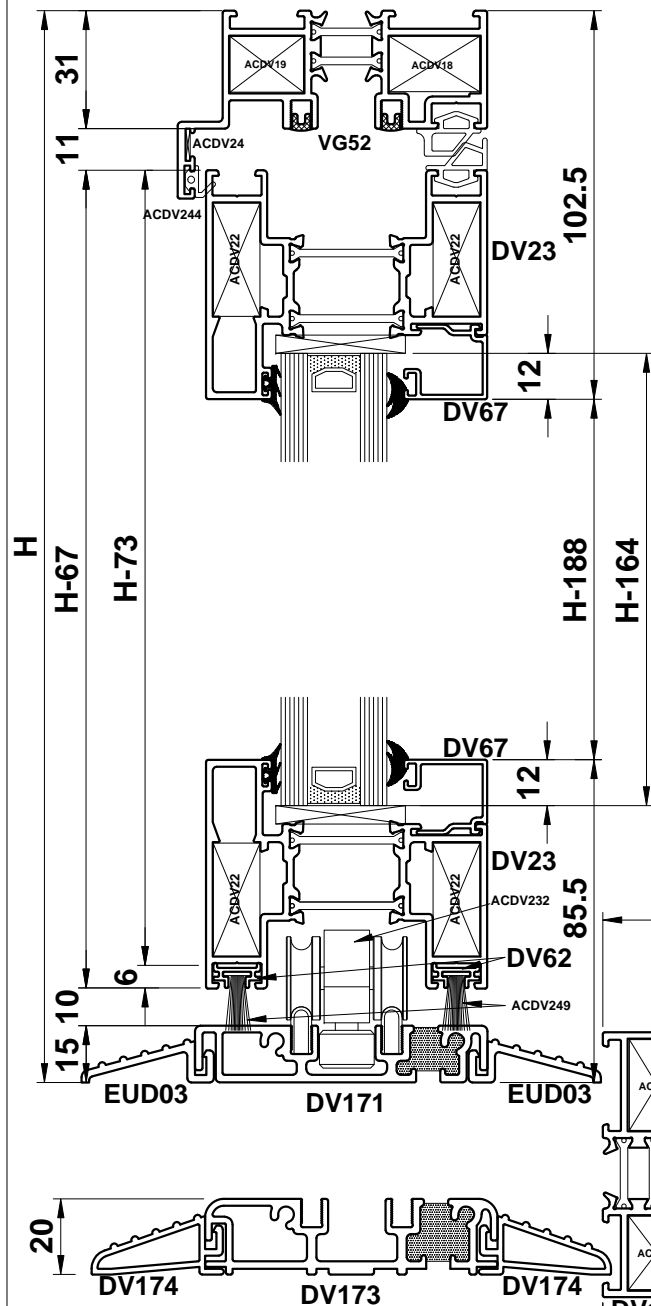
ACDR052	4	SCREW FOR DV25 & DV171
ACET069	26	SCREW FOR ACDV225/6 & DV23
ACVG31	6 x (W/3-142) + 6 x (H-164)	EXTERNAL GLAZING GASKET
ACVG34	6 x (W/3-142) + 6 x (H-164)	INTERNAL GLAZING GASKET
ACDV249	6 x (W/3-35.5)	WOOLPILE
ACVL032	1 x (H-67)	DV56 FLIPPER GASKET
ACDV261	3 (SET OF 4)	INFILL BLOCK
ACSG023	11	FIXING PLATE FOR KEEP

Type 2i



GLASS DEDUCTIONS

DV171	3 x	W/3 - 142.5	H - 164
DV173	3 x	W/3 - 142.5	H - 169



Do Not Scale From This Drawing

Type 4i With DV23 & Standard Threshold - Open In

PROFILE CUTTING SCHEDULE

DV14		2		W
DV14		2		H
DV23		8		W/4-129.5
DV24		8		H-84
DV51		8		H-295.5
DV56		2		H-84
DV63 or DV67		8		W/4-131
DV63 or DV67		8		H-261.5 H-295.5
VG52		2		W-62
VG52		4		H-62
VG53		2		W-62
DV68		2		H-84
PCX15		1		H-84
PCX36		2		H-84

Note: PCX15 required for master door if leaf height is over 2285mm.

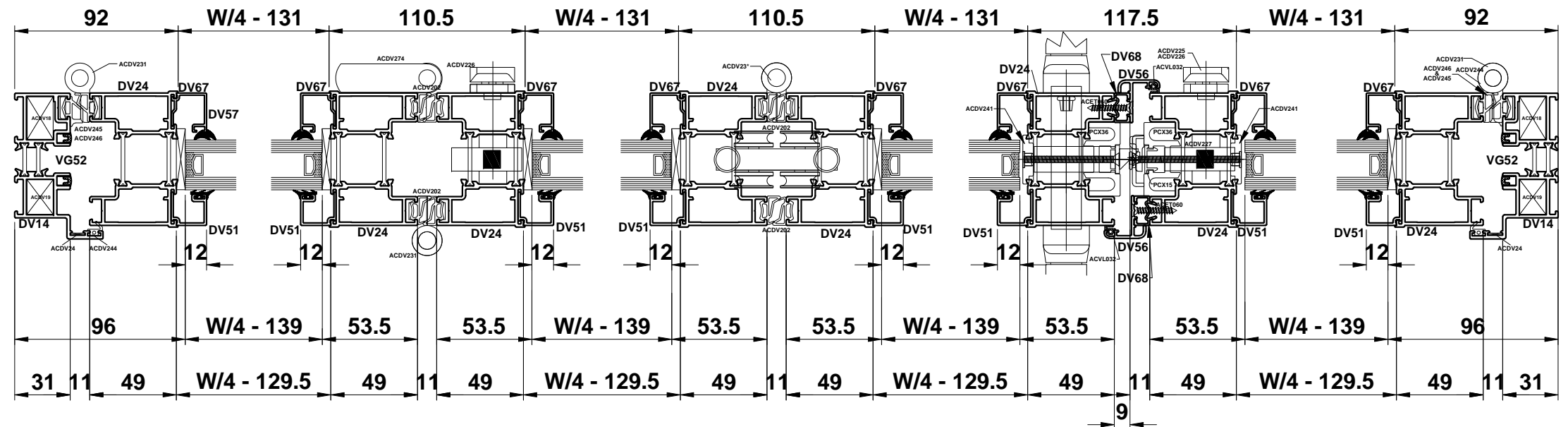
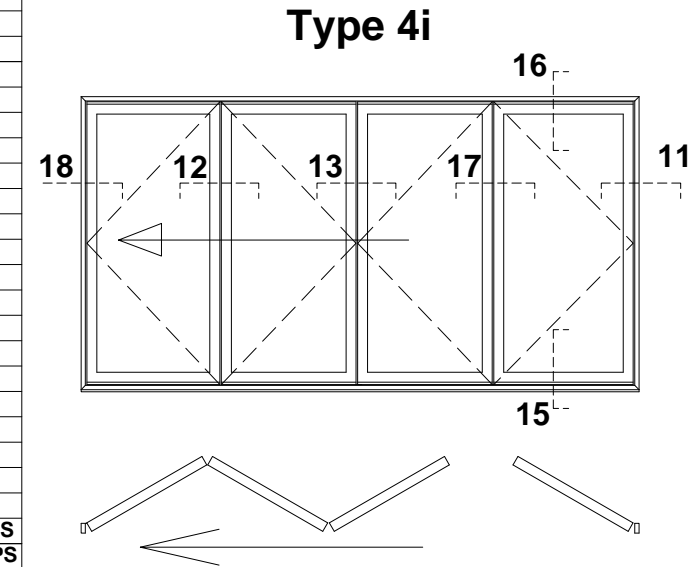
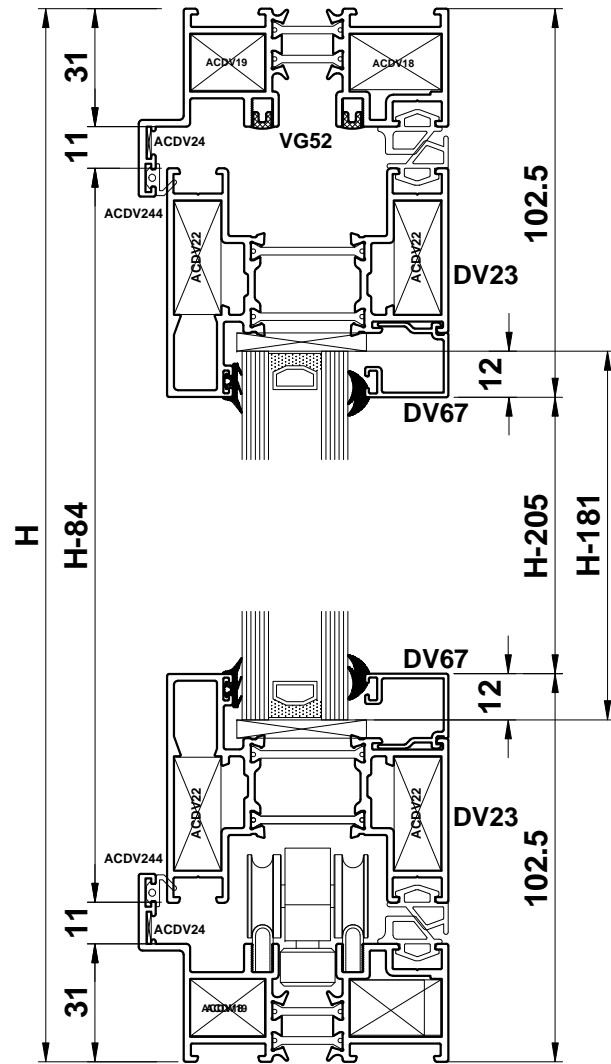
GLASS DEDUCTIONS	W/4 - 139
4 X	H - 271.5

IMPORTANT NOTE:

Min. Sash Width 700mm / Max. Vent Width 1000mm
Max. Sash Weight 100kg
Max. Sash Height 2400mm Dependant On Site Conditions
Always Measure In the Last Vent.

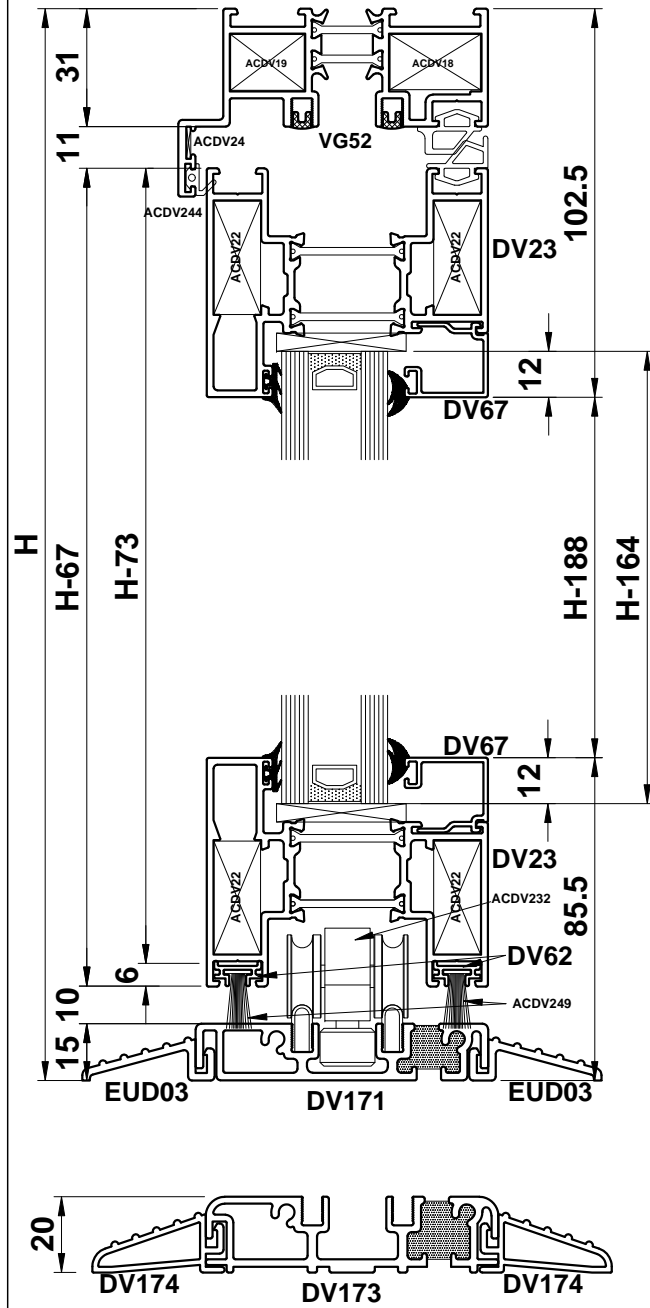
ACCESSORIES

ACDV18	4	CLEAT FOR DV14
ACDV19	4	CLEAT FOR DV14
ACDV22	32	CLEAT FOR DV23
ACDV24	4	CHEVRON FOR DV14
ACDV244	2 x (W-90) + 2 x (H-90)	FLIPPER GASKET
ACDV245	2 x (W-62) + 2 x (H-62)	SEALING GASKET
ACDV202	8 x (H-84)	SEALING GASKET
ACDV246	2 x (W-62) + 2 x (H-62)	SEALING GASKET
ACDV225 or 226	2	SHOOTBOLT HANDLE
ACDV227	2	SHOOTBOLT GEARBOX
ACDV228	2 (PAIRS)	SHOOTBOLT ROD
ACDV259	2 (PAIRS)	SHOOTBOLT GUIDE
ACDV230	1	SHOOTBOLT COVER
ACDV231	14	INTERMEDIATE HINGE
ACDV232	1	BOTTOM ROLLER HINGE
ACDV233	1	TOP GUIDE HINGE
ACDV234	1	D-HANDLE
ACDV718/9	1	MULTI-POINT LOCK
ACDV251	1 (PAIR)	LEVER HANDLES
ACDV56	2 (PAIRS)	END CAP FOR DV56
ACDV253	1	KEEP GUIDE PACKER
ACDV257	4 (SET OF 4)	INFILL BLOCK
ACMX01603 (SL)	2	HALF CYLINDER
ACDV258 (SL)	1	50/50 CYLINDER
ACET131	2	DRAIN HOLE COVER
ACET060	24	SCREW FOR ACDV253 & DV56
ACDV241	22	FIXING BLOCK FOR LOCK & KEEPS
ACDV265	22	FIXING SCREW FOR LOCK & KEEPS
ACET069	36	SCREW FOR ACDV225/6 & DV23
ACVG31	8 x (W/4-137) + 8 x (H-271)	EXTERNAL GLAZING GASKET
ACVG34	6 x (W/4-137) + 6 x (H-271)	INTERNAL GLAZING GASKET



Do Not Scale From This Drawing

Type 4i With DV23 & Low Threshold - Open In



PROFILE CUTTING SCHEDULE (DV171)

DV14		1	W
DV14		2	H
DV171		1	W-66
EUD03		1	W-66
EUD03		1	W-99
DV23		8	W/4-129.5
DV24		8	H-73
DV51		8	H-278
DV56		2	H-73
DV63 or DV67		8	W/4-131
DV63 or DV67		8	H-244
DV63 or DV67		8	H-278
DV62		8	W/4-128
VG52		2	W-62
VG52		4	H-42
VG53		2	W-66
DV68		2	H-73
PCX15		1	H-73
PCX36		2	H-73

PROFILE CUTTING SCHEDULE (DV173)

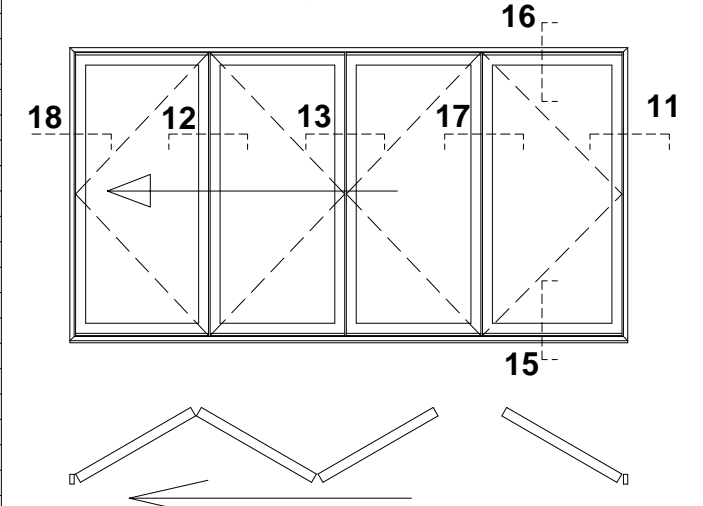
DV173		1	W-66
DV174		1	W-66
DV174		1	W-99
DV24		8	H-78
DV51		8	H-283
DV56		1	H-78
DV63 or DV67		8	H-249
DV63 or DV67		8	H-283
DV60		1	H-51
PCX36		2	H-78
DV68		2	H-78
PCX15		1	H-78

Note: PCX15 required for master door if leaf height is over 2285mm.

ACCESSORIES

ACDV18	2	CLEAT FOR DV14
ACDV19	2	CLEAT FOR DV14
ACDV22	32	CLEAT FOR DV23
ACDV24	2	CHEVRON FOR DV14
ACDV244	1 x (W-90) + 2 x (H-60)	FLIPPER GASKET
ACDV245	1 x (W-62) + 2 x (H-46)	SEALING GASKET
ACDV202	8 x (H-67)	SEALING GASKET
ACDV246	1 x (W-62) + 2 x (H-46)	SEALING GASKET
ACDV226 or 226	2	SHOOTBOLT HANDLE
ACDV227	2	SHOOTBOLT GEARBOX
ACDV228	2 (PAIRS)	SHOOTBOLT ROD
ACDV259	2 (PAIRS)	SHOOTBOLT GUIDE
ACDV230	1	SHOOTBOLT COVER
ACDV231	14	INTERMEDIATE HINGE
ACDV232	1	BOTTOM ROLLER HINGE
ACDV233	1	TOP GUIDE HINGE
ACDV274	1	D-HANDLE
ACDV718/9	1	MULTI-POINT LOCK
ACDV251	1 (PAIR)	LEVER HANDLES
ACDV56	1 (PAIR)	END CAP FOR DV56
ACDV252	1	KEEP GUIDE
ACDV253	1	KEEP GUIDE PACKER
ACDV257	2 (SET OF 4)	INFILL BLOCK
ACDV171	1 (PAIR)	END CAPS FOR DV171/3
ACMX01603 (SL)	2	HALF CYLINDER
ACDV258 (SL)	1	50/50 CYLINDER
ACET060	24	SCREW FOR ACDV253 & DV56
ACET069	20	SCREW FOR ACDV225/6 & DV23
ACDV241	22	FIXING BLOCK FOR LOCK & KEEPS
ACDV265	22	FIXING SCREW FOR LOCK & KEEPS
ACDR052	4	SCREW FOR DV25 & DV171/3
ACVG31	8 x (W/4-137) + 8 x (H-254)	EXTERNAL GLAZING GASKET
ACVG34	8 x (W/4-137) + 8 x (H-254)	INTERNAL GLAZING GASKET
ACDV249	8 x (W/3-35.5)	WOOLPILE
ACVL032	2 x (H-67)	DV56 FLIPPER GASKET
ACDV261	3 (SET OF 4)	INFILL BLOCK

Type 4i

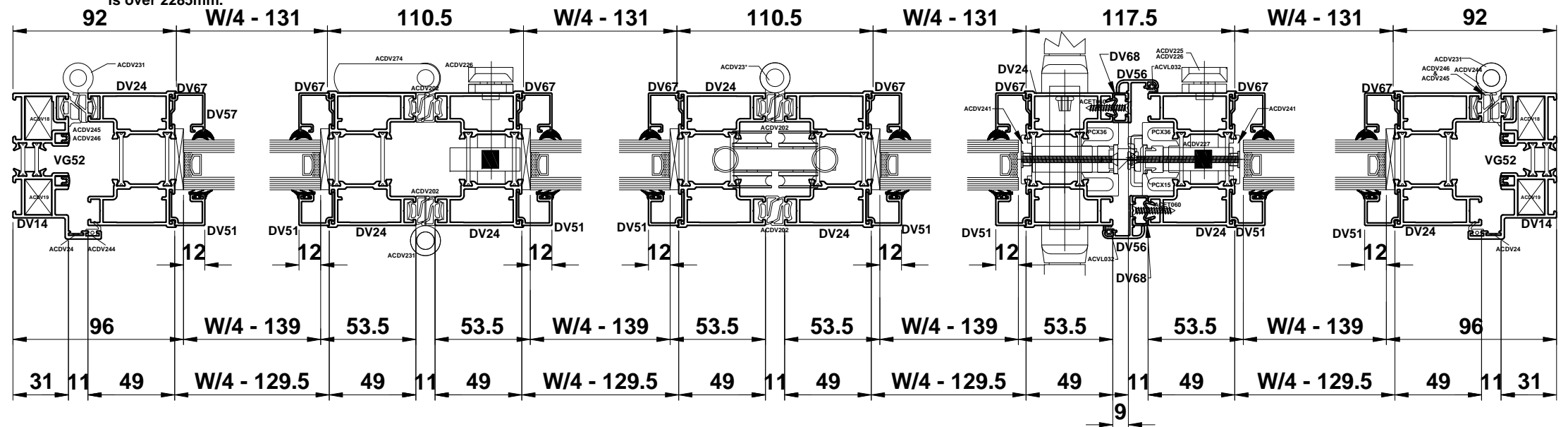


GLASS DEDUCTIONS

DV171	4 x	W/4 - 139	H - 164
DV173	4 x	W/4 - 139	H - 169

IMPORTANT NOTE:

Min. Sash Width 700mm / Max. Vent Width 1000mm
Max. Sash Weight 100kg
Max. Sash Height 2400mm Dependant On Site Conditions
Always Measure In the Last Vent.



Do Not Scale From This Drawing

Type 6i With Standard Threshold - Open In

PROFILE CUTTING SCHEDULE

DV14		2	W
DV14		2	H
DV23		5	W/5-123.5
DV24		10	H-84
DV25		5	W/5-123.5
DV51		10	H-294.5
DV56		1	H-84
DV63 or DV67		10	W/5-125
DV63 or DV67		10	H-260.5 H-294.5
DV60		1	H-62
VG52		2	W-62
VG52		4	H-62
VG53		2	W-62
PCX36		1	H-84

Note: PCX15 required for leaf heights over 2285mm.

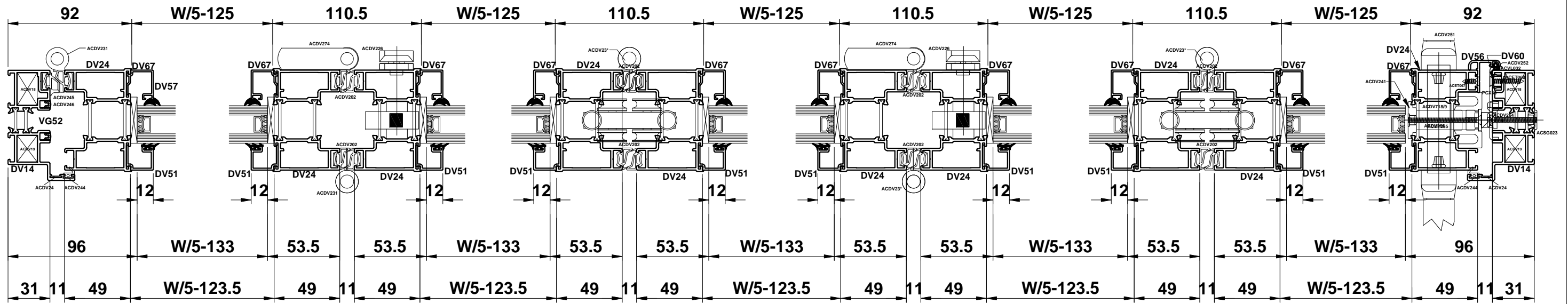
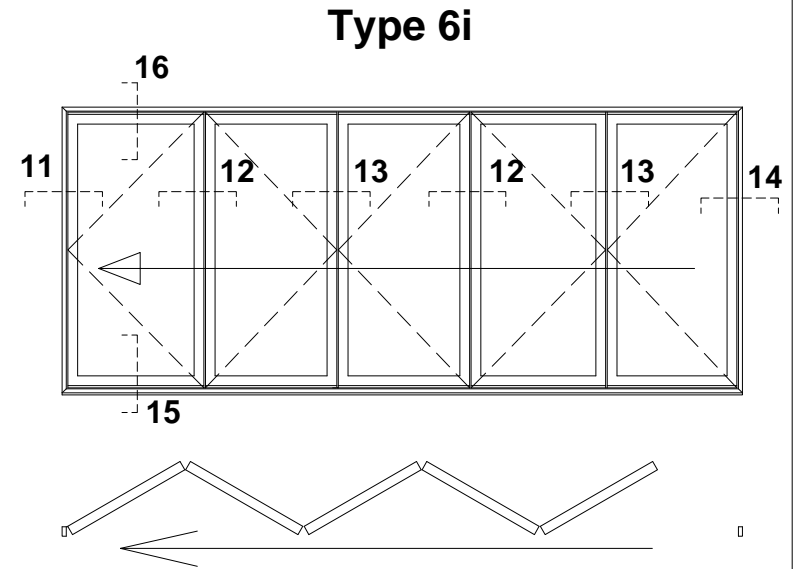
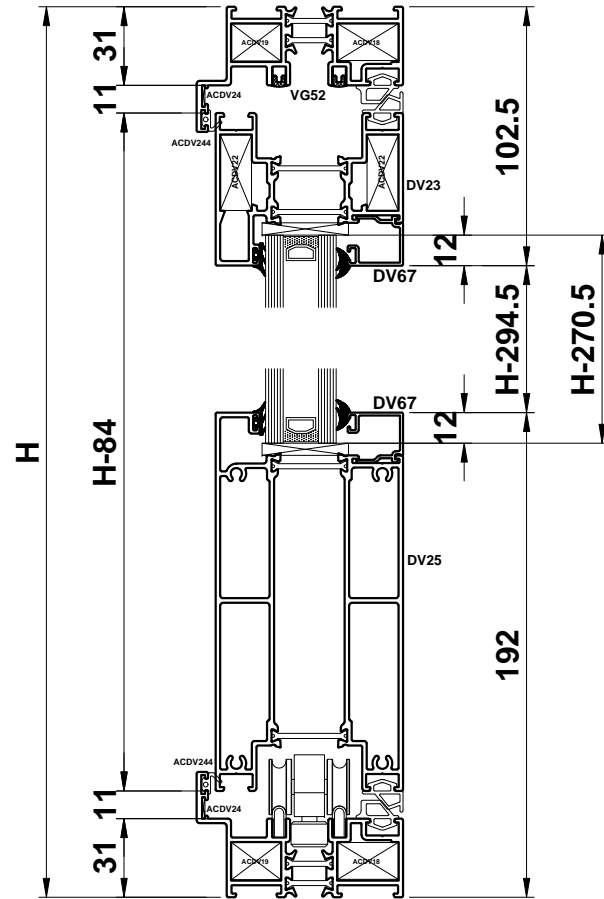
GLASS DEDUCTIONS	W/5 - 133
5 X	H - 270.5

IMPORTANT NOTE:

Min. Sash Width 700mm / Max. Vent Width 1000mm
Max. Sash Weight 100kg
Max. Sash Height 2400mm Dependant On Site Conditions
Always Measure In the Last Vent.

ACCESSORIES

ACDV18	4	CLEAT FOR DV14
ACDV19	4	CLEAT FOR DV14
ACDV22	20	CLEAT FOR DV23
ACDV24	4	CHEVRON FOR DV14
ACDV244	2 x (W-90) + 2 x (H-90)	FLIPPER GASKET
ACDV245	2 x (W-62) + 2 x (H-62)	SEALING GASKET
ACDV202	18 x (H-84)	SEALING GASKET
ACDV246	2 x (W-62) + 2 x (H-62)	SEALING GASKET
ACDV225 or 226	2	SHOOTBOLT HANDLE
ACDV227	2	SHOOTBOLT GEARBOX
ACDV228	2 (PAIR)	SHOOTBOLT ROD
ACDV259	2 (PAIR)	SHOOTBOLT GUIDE
ACDV230	2	SHOOTBOLT COVER
ACDV231	16	INTERMEDIATE HINGE
ACDV232	2	BOTTOM ROLLER HINGE
ACDV233	2	TOP GUIDE HINGE
ACDV274	2	D-HANDLE
ACDV718/9	1	MULTI-POINT LOCK
ACDV251	1 (PAIR)	LEVER HANDLES
ACDV56	1 (PAIR)	END CAP FOR DV56
ACDV252	1	KEEP GUIDE
ACDV257	5 (SET OF 4)	INFILL BLOCK
ACVL032	1 x (H-84)	DV56 FLIPPER GASKET
ACMX01603 (SL)	2	HALF CYLINDER
ACDV258 (SL)	1	50/50 CYLINDER
ACET131	2	DRAIN HOLE COVER
ACET060	2	SCREW FOR ACDV252
ACDV241	11	FIXING BLOCK FOR LOCK
ACDV265	11	FIXING SCREW FOR LOCK
ACET067	11	SCREW FOR DV56
ACET069	24	SCREW FOR ACDV225/6 & DV23
ACDR052	40	SCREW FOR DV25
ACVG31	10 x (W/5-133) + 10 x (H-271)	EXTERNAL GLAZING GASKET
ACVG34	10 x (W/5-133) + 10 x (H-271)	INTERNAL GLAZING GASKET
ACSG023	11	FIXING PLATE FOR KEEPS
ACDV264	11	SCREW FOR KEEPS



Do Not Scale From This Drawing

Type 6i With DV23 & Standard Threshold - Open In

PROFILE CUTTING SCHEDULE

DV14		2		W
DV14		2		H
DV23		10		W/5-123.5
DV24		10		H-84
DV51		10		H-205
DV56		1		H-84
DV63 or DV67		10		W/5-125
DV63 or DV67		10		H-239 H-205
DV60		1		H-62
VG52		2		W-62
VG52		4		H-62
VG53		2		W-62
PCX36		1		H-84

Note: PCX15 required for leaf heights over 2285mm.

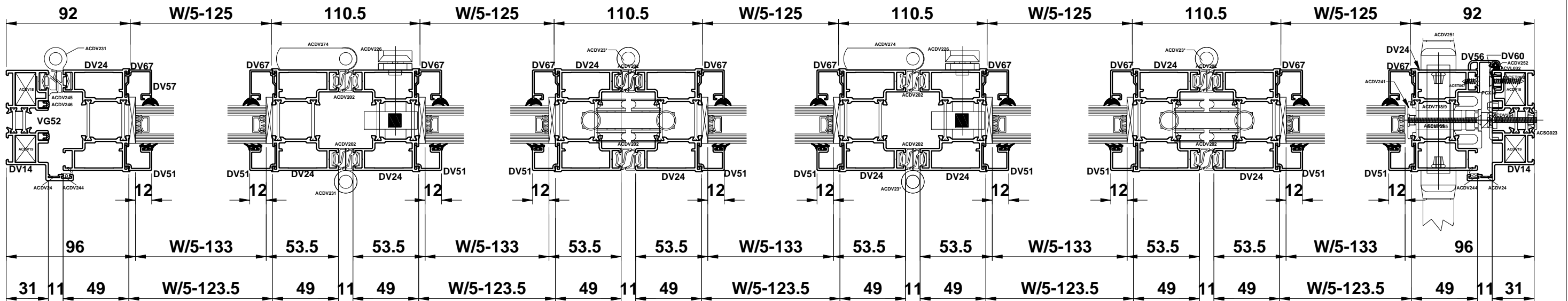
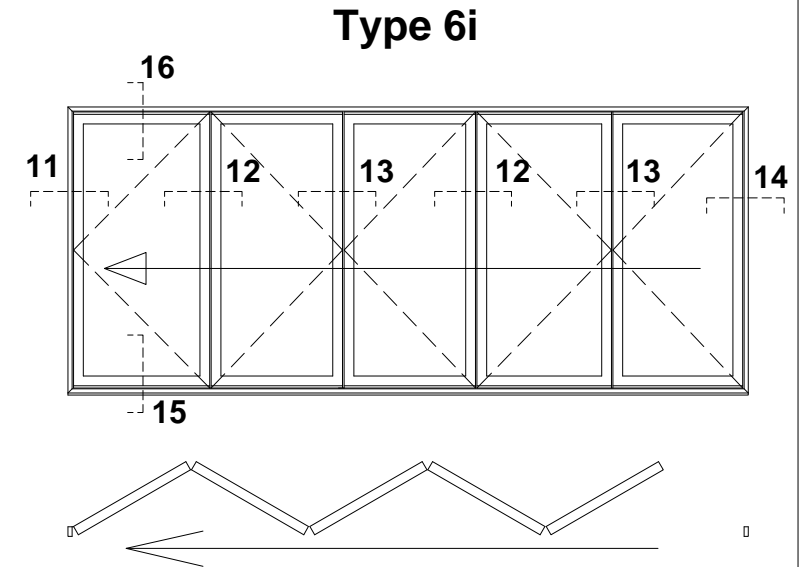
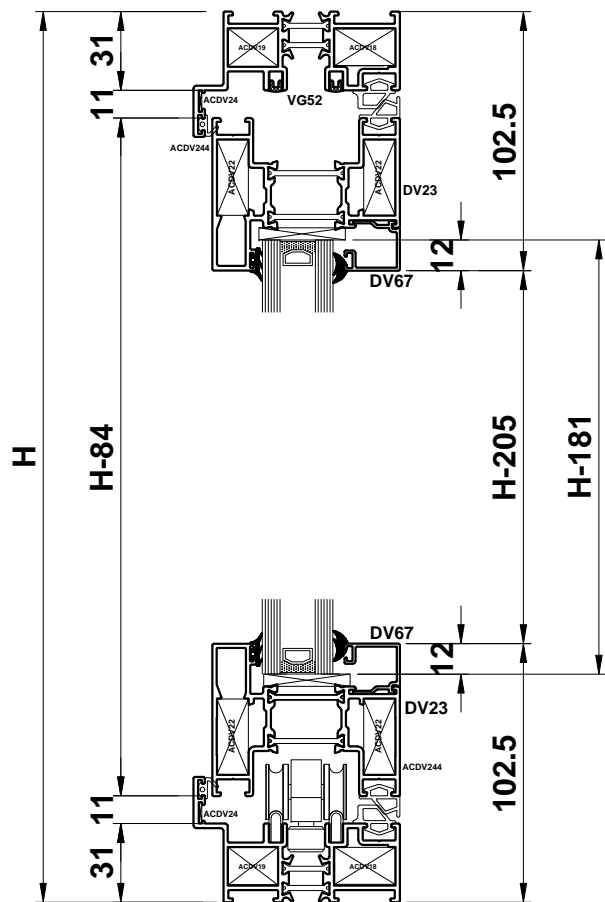
GLASS DEDUCTIONS 5 X	W/5 - 133
	H - 229

IMPORTANT NOTE:

Min. Sash Width 700mm / Max. Vent Width 1000mm
Max. Sash Weight 100kg
Max. Sash Height 2400mm Dependant On Site Conditions
Always Measure In the Last Vent.

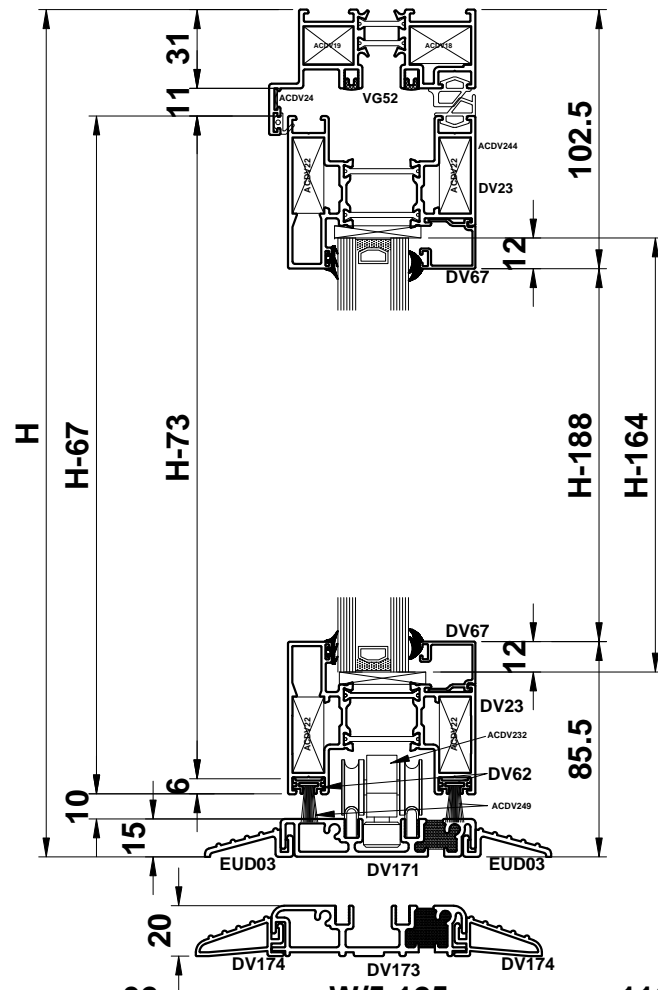
ACCESSORIES

ACDV18	4	CLEAT FOR DV14
ACDV19	4	CLEAT FOR DV14
ACDV22	40	CLEAT FOR DV23
ACDV24	4	CHEVRON FOR DV14
ACDV244	2 x (W-90) + 2 x (H-90)	FLIPPER GASKET
ACDV245	2 x (W-62) + 1 x (H-62)	SEALING GASKET
ACDV202	18 x (H-84)	SEALING GASKET
ACDV246	2 x (W-62) + 1 x (H-62)	SEALING GASKET
ACDV225 or 226	2	SHOOTBOLT HANDLE
ACDV227	2	SHOOTBOLT GEARBOX
ACDV228	2 (PAIR)	SHOOTBOLT ROD
ACDV259	2 (PAIR)	SHOOTBOLT GUIDE
ACDV230	2	SHOOTBOLT COVER
ACDV231	16	INTERMEDIATE HINGE
ACDV232	2	BOTTOM ROLLER HINGE
ACDV233	2	TOP GUIDE HINGE
ACDV274	2	D-HANDLE
ACDV718/9	1	MULTI-POINT LOCK
ACDV251	1 (PAIR)	LEVER HANDLES
ACDV56	1 (PAIR)	END CAP FOR DV56
ACDV252	1	KEEP GUIDE
ACDV257	5 (SET OF 4)	INFILL BLOCK
ACVL032	1 x (H-84)	DV56 FLIPPER GASKET
ACMX01603 (SL)	2	HALF CYLINDER
ACDV258 (SL)	1	50/50 CYLINDER
ACET131	2	DRAIN HOLE COVER
ACET060	2	SCREW FOR ACDV252
ACDV241	11	FIXING BLOCK FOR LOCK
ACDV265	11	FIXING SCREW FOR LOCK
ACET067	11	SCREW FOR DV56
ACET069	4	SCREW FOR ACDV225/6
ACVG31	10 x (W/5-133) + 10 x (H-229)	EXTERNAL GLAZING GASKET
ACVG34	10 x (W/5-133) + 10 x (H-229)	INTERNAL GLAZING GASKET
ACSG023	11	FIXING PLATE FOR KEEP
ACSG071	11	SCREW FOR KEEP



Do Not Scale From This Drawing

Type 6i With DV23 & Low Threshold - Open In



PROFILE CUTTING SCHEDULE (DV171)

DV14		1	W
DV14		2	H
DV171		1	W-66
EUD03		1	W-66
EUD03		1	W-99
DV23		5	W/5-123.5
DV24		10	H-73
DV25		5	W/5-123.5
DV51		10	H-278
DV56		1	H-73
DV63 or DV67		10	W/3-125
DV63 or DV67		10	H-244
DV60		1	H-46
DV62		10	W/5-123.5
VG52		2	W-62
VG52		4	H-42
VG53		2	W-66
PCX36		1	H-73

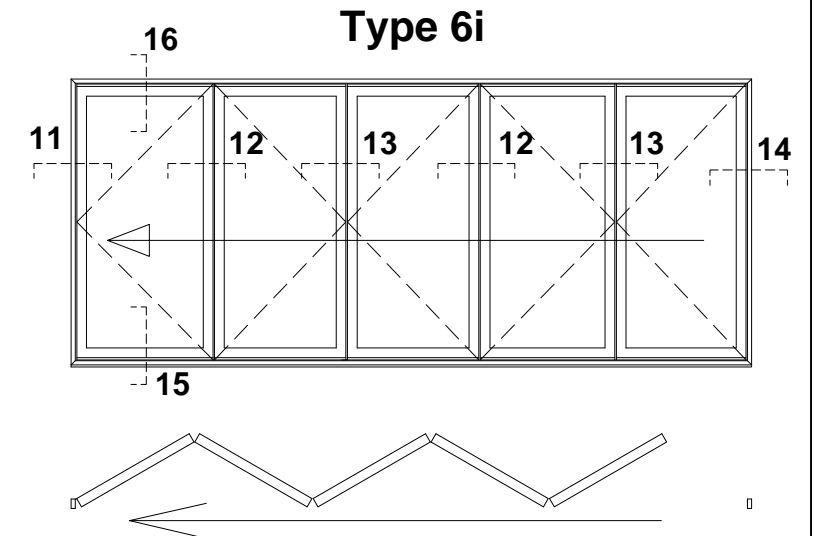
PROFILE CUTTING SCHEDULE (DV173)

DV173		1	W-66
DV174		1	W-66
DV174		1	W-99
DV24		10	H-78
DV51		10	H-283
DV56		1	H-78
DV63 or DV67		10	H-249
DV60		1	H-51
PCX36		1	H-78

Note: PCX15 required for leaf heights over 2285mm.

ACCESSORIES

ACDV18	2	CLEAT FOR DV14
ACDV19	2	CLEAT FOR DV14
ACDV22	40	CLEAT FOR DV23
ACDV24	2	CHEVRON FOR DV14
ACDV244	1 x (W-90) + 2 x (H-60)	FLIPPER GASKET
ACDV245	1 x (W-62) + 1 x (H-42)	SEALING GASKET
ACDV202	18 x (H-67)	SEALING GASKET
ACDV246	1 x (W-62) + 1 x (H-42)	SEALING GASKET
ACDV226	2	SHOOTBOLT HANDLE
ACDV227	2	SHOOTBOLT GEARBOX
ACDV228	2 (PAIRS)	SHOOTBOLT ROD
ACDV259	2 (PAIRS)	SHOOTBOLT GUIDE
ACDV230	2	SHOOTBOLT COVER
ACDV231	16	INTERMEDIATE HINGE
ACDV232	2	BOTTOM ROLLER HINGE
ACDV233	2	TOP GUIDE HINGE
ACDV274	2	D-HANDLE
ACDV718/9	1	MULTI-POINT LOCK
ACDV251	1 (PAIR)	LEVER HANDLES
ACDV56	1 (PAIR)	END CAP FOR DV56
ACDV252	1	KEEP GUIDE
ACDV257	3 (SET OF 4)	INFILL BLOCK
ACDV171	1 (PAIR)	END CAPS FOR DV171
ACV132	1 (H-67)	DV56 FLIPPER GASKET
ACM01603 (SL)	2	HALF CYLINDER
ACDV258 (SL)	1	50/50 CYLINDER
ACET060	2	SCREW FOR ACDV252
ACDV241	11	FIXING BLOCK FOR LOCK
ACDV265	11	FIXING SCREW FOR LOCK
ACET069	4	SCREW FOR ACDV225/6
ACDR052	4	SCREW FOR DV171/3
ACVG31	10 x (W/5-133) + 10 x (H-254)	EXTERNAL GLAZING GASKET
ACVG34	10 x (W/5-133) + 10 x (H-254)	INTERNAL GLAZING GASKET
ACDV249	10 x (W/5-35.5)	WOOLPILE
ACDV261	3 (SET OF 4)	INFILL BLOCK
ACSG023	11	FIXING PLATE FOR KEEP
ACDV264	11	SCREW FOR KEEP
ACET067	11	SCREW FOR DV56

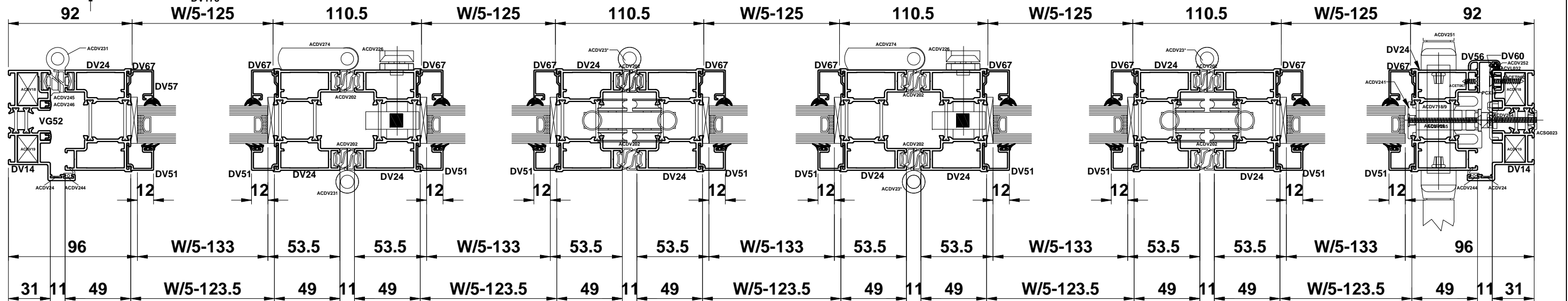


GLASS DEDUCTIONS

DV171	5 x	W/5 - 133	H - 254
DV173	5 x	W/5 - 133	H - 259

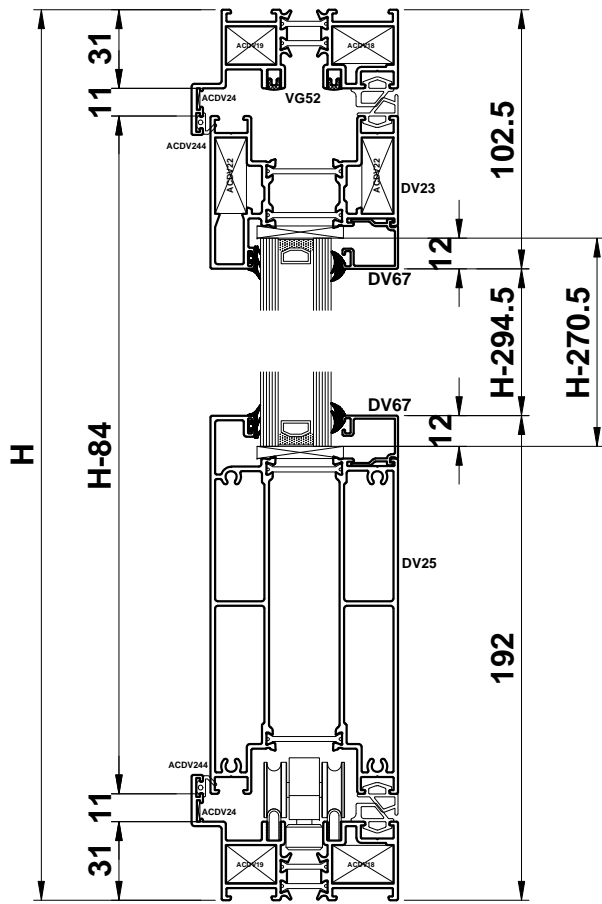
IMPORTANT NOTE:

Min. Sash Width 700mm / Max. Vent Width 1000mm
Max. Sash Weight 100kg
Max. Sash Height 2400mm Dependant On Site Conditions
Always Measure In the Last Vent.



Do Not Scale From This Drawing

Type 7i With Standard Threshold - Open In



PROFILE CUTTING SCHEDULE

DV14		2		W
DV14		2		H
DV23		6		W/6-122.5
DV24		12		H-84
DV25		6		W/6-122.5
DV51		12		H-294.5
DV56		2		H-84
DV63 or DV67		12		W/6-124
DV63 or DV67		12		H-260.5 H-294.5
VG52		2		W-62
VG52		4		H-62
VG53		2		W-62
DV68		2		H-84
PCX15		1		H-84
PCX36		2		H-84

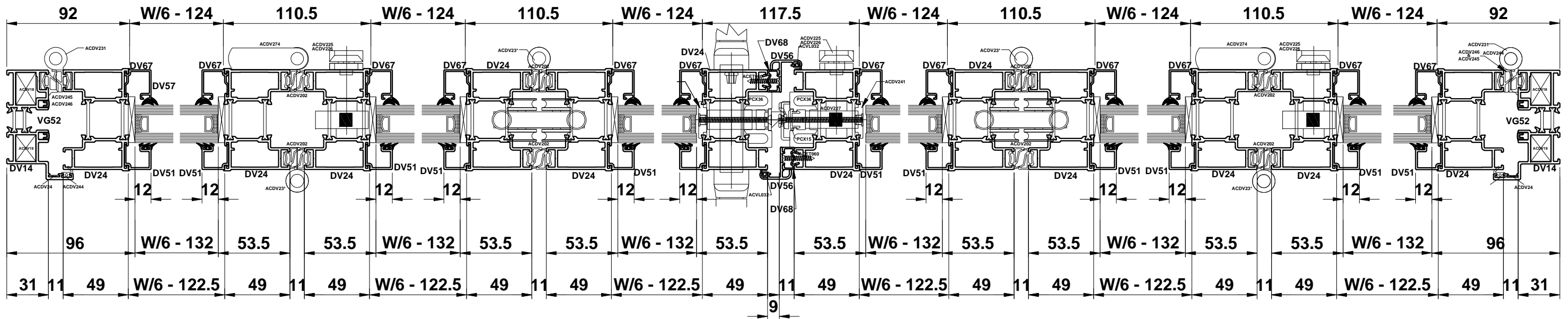
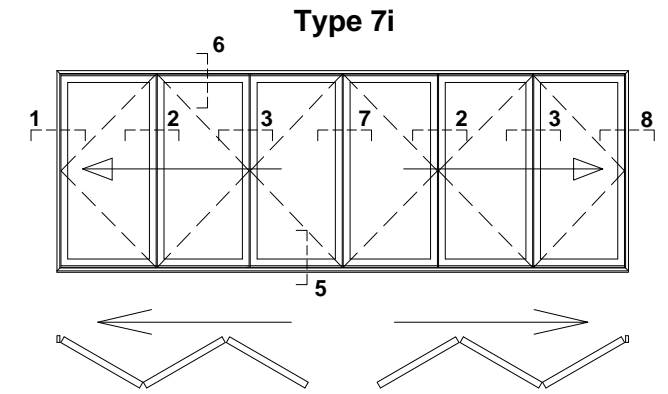
Note: PCX15 required for master door if leaf height is over 2285mm.

GLASS SIZES	
6 X	W/6 - 132
	H - 271.5

IMPORTANT NOTE:
Min. Sash Width 700mm / Max. Vent Width 1000mm
Max. Sash Weight 100kg
Max. Sash Height 2400mm Dependant On Site Conditions
Always Measure In the Last Vent.

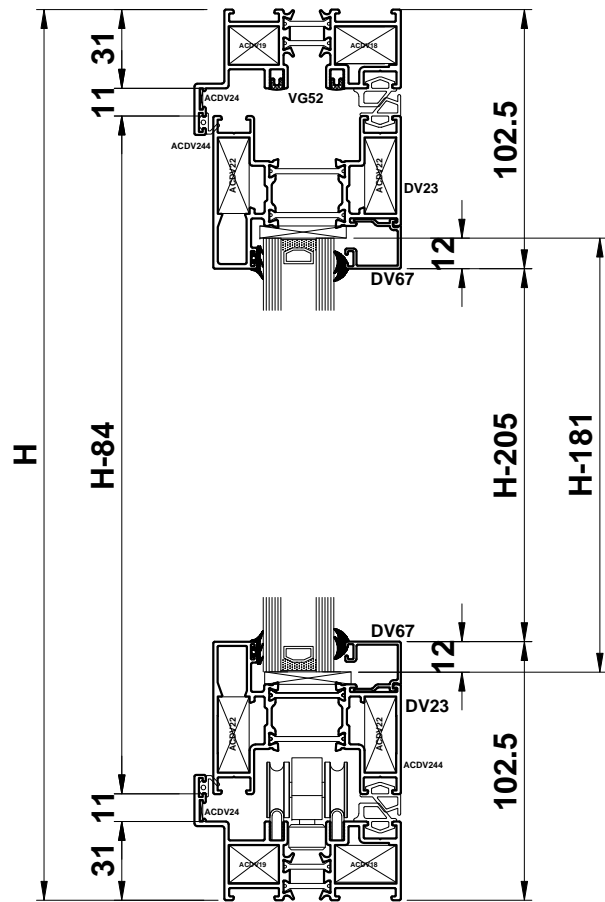
ACCESSORIES

ACDV18	4	CLEAT FOR DV14
ACDV19	4	CLEAT FOR DV14
ACDV22	24	CLEAT FOR DV23
ACDV24	4	CHEVRON FOR DV14
ACDV244	2 x (W-90) + 2 x (H-90)	FLIPPER GASKET
ACDV245	2 x (W-62) + 2 x (H-62)	SEALING GASKET
ACDV202	18 x (H-84)	SEALING GASKET
ACDV246	2 x (W-62) + 2 x (H-62)	SEALING GASKET
ACDV225 or 226	3	SHOOTBOLT HANDLE
ACDV227	3	SHOOTBOLT GEARBOX
ACDV228	3 (PAIRS)	SHOOTBOLT ROD
ACDV259	3 (PAIRS)	SHOOTBOLT GUIDE
ACDV230	2	SHOOTBOLT COVER
ACDV231	20	INTERMEDIATE HINGE
ACDV232	2	BOTTOM ROLLER HINGE
ACDV233	2	TOP GUIDE HINGE
ACDV274	2	D-HANDLE
ACDV718/9	1	MULTI-POINT LOCK
ACDV251	1 (PAIR)	LEVER HANDLES
ACDV56	2 (PAIRS)	END CAP FOR DV56
ACDV257	6 (SET OF 4)	INFILL BLOCK
ACVL032	2 x (H-84)	DV56 FLIPPER GASKET
ACMX01603 (SL)	3	HALF CYLINDER
ACDV241	22	FIXING BLOCK FOR LOCK & KEEPS
ACDV265	22	FIXING SCREW FOR LOCK & KEEPS
ACDV258	1	50/50 CYLINDER
ACET131	2	DRAIN HOLE COVER
ACET060	22	SCREW FOR DV56
ACET069	30	SCREW FOR ACDV225/6 & DV23
ACDR052	48	SCREW FOR DV25
ACVG31	12 x (W/6-134) + 12 x (H-271)	EXTERNAL GLAZING GASKET
ACVG34	12 x (W/6-134) + 12 x (H-271)	INTERNAL GLAZING GASKET



Do Not Scale From This Drawing

Type 7i With DV23 & Standard Threshold - Open In



PROFILE CUTTING SCHEDULE

DV14		2		W
DV14		2		H
DV23		12		W/6-122.5
DV24		12		H-84
DV51		12		H-205
DV56		2		H-84
DV63 or DV67		12		W/6-124
DV63 or DV67		12		H-222 H-188
VG52		2		W-62
VG52		4		H-62
VG53		2		W-62
DV68		2		H-84
PCX15		1		H-84
PCX36		2		H-84

Note: PCX15 required for master door if leaf height is over 2285mm.

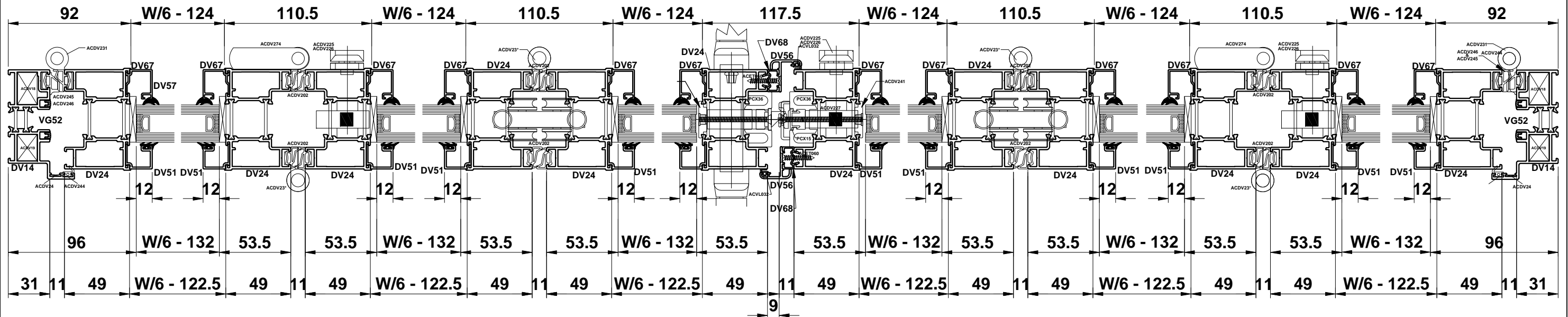
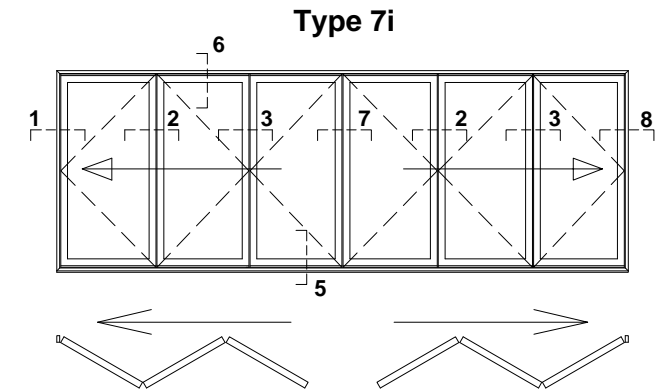
GLASS SIZES	
6 X	W/6 - 132
	H - 229

IMPORTANT NOTE:

Min. Sash Width 700mm / Max. Vent Width 1000mm
Max. Sash Weight 100kg
Max. Sash Height 2400mm Dependant On Site Conditions
Always Measure In the Last Vent.

ACCESSORIES

ACDV18	4	CLEAT FOR DV14
ACDV19	4	CLEAT FOR DV14
ACDV22	48	CLEAT FOR DV23
ACDV24	4	CHEVRON FOR DV14
ACDV244	2 x (W-90) + 2 x (H-90)	FLIPPER GASKET
ACDV245	2 x (W-62) + 2 x (H-62)	SEALING GASKET
ACDV202	18 x (H-84)	SEALING GASKET
ACDV246	2 x (W-62) + 2 x (H-62)	SEALING GASKET
ACDV225 or 226	3	SHOOTBOLT HANDLE
ACDV227	3	SHOOTBOLT GEARBOX
ACDV228	3 (PAIRS)	SHOOTBOLT ROD
ACDV259	3 (PAIRS)	SHOOTBOLT GUIDE
ACDV230	2	SHOOTBOLT COVER
ACDV231	20	INTERMEDIATE HINGE
ACDV232	2	BOTTOM ROLLER HINGE
ACDV233	2	TOP GUIDE HINGE
ACDV274	2	D-HANDLE
ACDV718/9	1	MULTI-POINT LOCK
ACDV251	1 (PAIR)	LEVER HANDLES
ACDV56	2 (PAIRS)	END CAP FOR DV56
ACDV257	6 (SET OF 4)	INFILL BLOCK
ACVL032	2 x (H-84)	DV56 FLIPPER GASKET
ACMX01603 (SL)	3	HALF CYLINDER
ACDV241	22	FIXING BLOCK FOR LOCK & KEEPS
ACDV265	22	FIXING SCREW FOR LOCK & KEEPS
ACDV258	1	50/50 CYLINDER
ACET131	2	DRAIN HOLE COVER
ACET060	22	SCREW FOR DV56
ACET069	30	SCREW FOR ACDV225/6 & DV23
ACDR052	48	SCREW FOR DV25
ACVG31	12 x (W/6-134) + 12 x (H-271)	EXTERNAL GLAZING GASKET
ACVG34	12 x (W/6-134) + 12 x (H-271)	INTERNAL GLAZING GASKET



Do Not Scale From This Drawing

Single Door With Standard Threshold - Open In

PROFILE CUTTING SCHEDULE

DV14		2	W
DV14		2	H
DV23		1	W-182
DV24		2	H-84
DV25		1	W-182
DV51		2	H-295
DV56		1	H-84
DV63 or DV67		2	W-182
DV63 or DV67		2	H-261 H-295
VG52		4	W-62
VG52		4	H-62
PCX36		1	H-84

Note: PCX15 required for leaf heights over 2285mm.

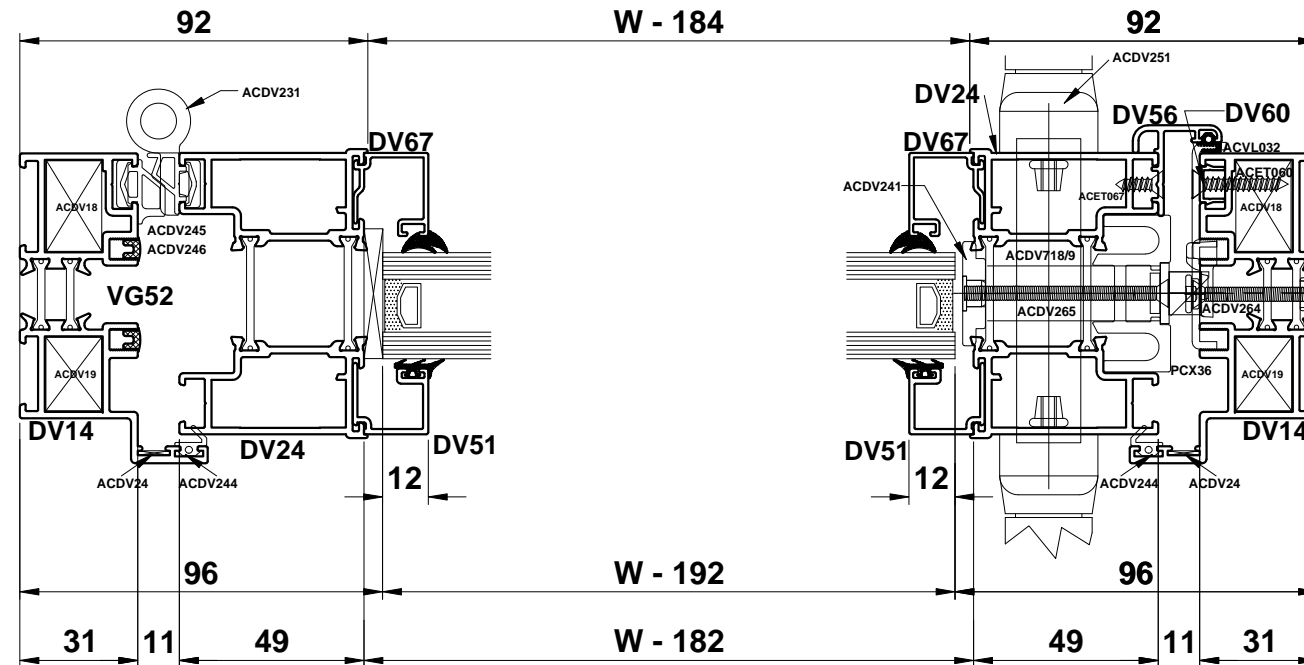
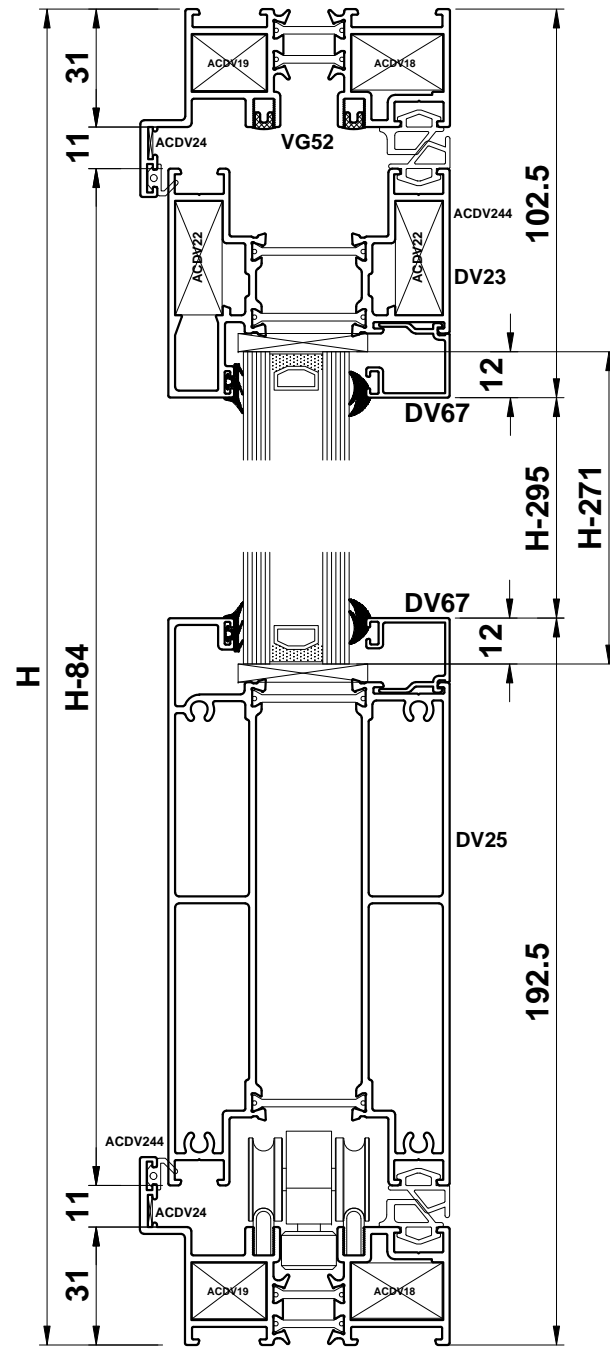
GLASS SIZES	1 X	W - 192
		H - 271.5

IMPORTANT NOTE:

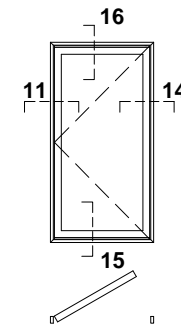
Min. Sash Width 700mm / Max. Vent Width 1000mm
Max. Sash Weight 100kg
Max. Sash Height 2400mm Dependant On Site Conditions
Always Measure In the Last Vent.

ACCESSORIES

ACDV18	4	CLEAT FOR DV14
ACDV19	4	CLEAT FOR DV14
ACDV22	4	CLEAT FOR DV23
ACDV24	4	CHEVRON FOR DV14
ACDV244	2 x (W-90) + 2 x (H-90)	FLIPPER GASKET
ACDV245	2 x (W-62)	SEALING GASKET
ACDV245	1 x (H-84)	SEALING GASKET
ACDV246	2 x (W-84)	SEALING GASKET
ACDV246	1 x (H-84)	SEALING GASKET
ACDV231	4	INTERMEDIATE HINGE
ACDV718/9	1	MULTI-POINT LOCK
ACDV251	1 (PAIR)	LEVER HANDLES
ACDV56	1 (PAIR)	END CAP FOR DV56
ACDV252	1	KEEP GUIDE
ACDV257	1 (SET OF 4)	INFILL BLOCK
ACVL032	1 x (H-84)	DV56 FLIPPER GASKET
ACDV258	1	50/50 CYLINDER
ACET131	2	DRAIN HOLE COVER
ACET060	35	SCREW FOR ACDV252
ACET067	11	SCREW FOR DV56
ACET069	4	DV23
ACDR052	8	SCREW FOR DV25
ACDV241	11	FIXING BLOCK FOR LOCK
ACDV264	11	FIXING SCREW FOR KEEP
ACDV265	11	FIXING SCREW FOR LOCK
ACSG023	11	FIXING BLOCK FOR KEEP
ACVG31	2 x (W-192) + 2 x (H-271)	EXTERNAL GLAZING GASKET
ACVG34	2 x (W-192) + 2 x (H-271)	INTERNAL GLAZING GASKET

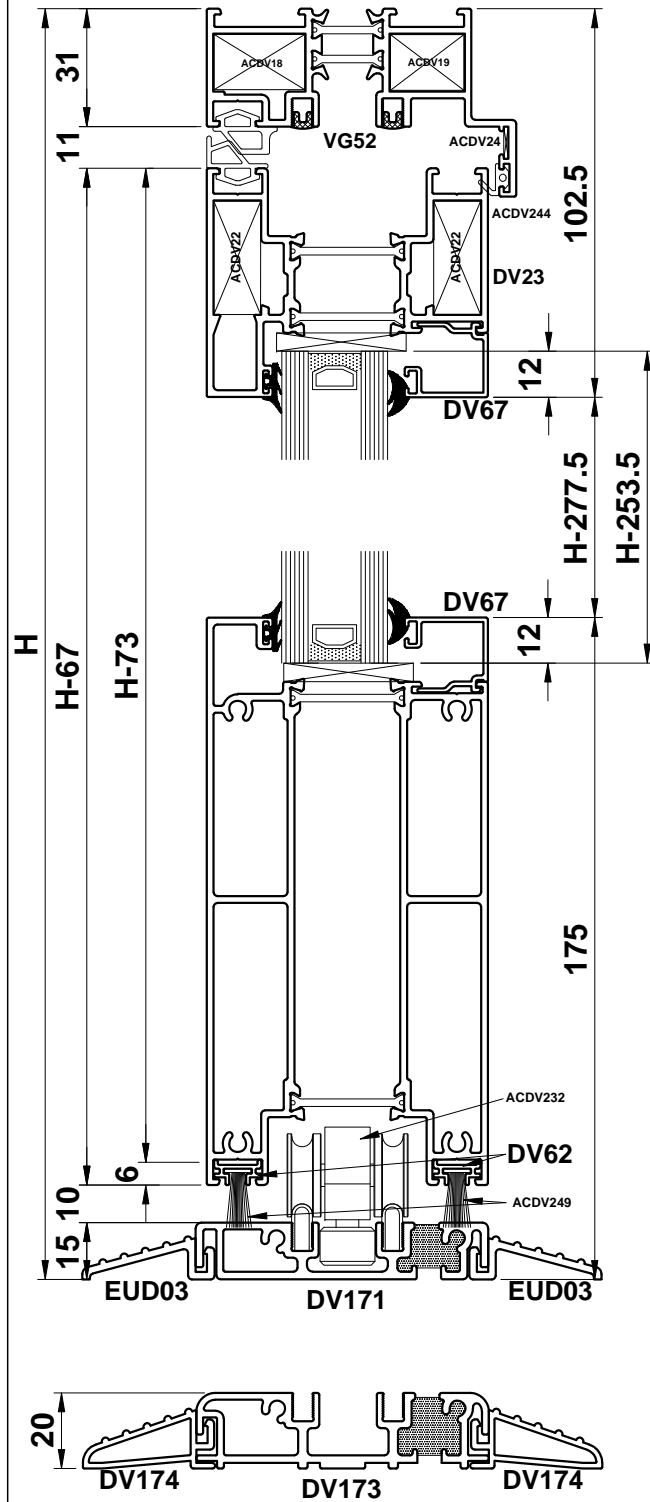


Single Door



Do Not Scale From This Drawing

Single Door With Low Threshold - Open In



PROFILE CUTTING SCHEDULE (DV171)

DV14		1		W	
DV14		2		H	
DV171		1		W-66	
EUD03		1		W-66	
EUD03		1		W-99	
DV23		1		W-182	
DV24		2		H-73	
DV25		1		W-182	
DV51		2		H-278	
DV56		1		H-73	
DV63 or DV67		2		W-184	
DV63 or DV67		2		H-244	H-278
DV62		2		W-182	
VG52		4		W-62	
VG52		4		H-42	
PCX36		1		H-73	

PROFILE CUTTING SCHEDULE (DV173)

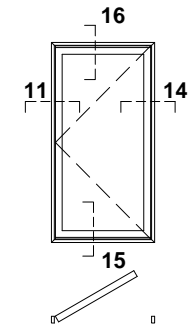
DV173		1		W-66	
DV174		1		W-66	
DV174		1		W-99	
DV24		2		H-78	
DV51		2		H-283	
DV56		1		H-78	
DV63 or DV67		2		H-249	H-283
DV60		1		H-51	
PCX36		1		H-78	

Note: PCX15 required for leaf heights over 2285mm.

ACCESSORIES

ACDV18	4	CLEAT FOR DV14
ACDV19	4	CLEAT FOR DV14
ACDV22	4	CLEAT FOR DV23
ACDV24	4	CHEVRON FOR DV14
ACDV244	1 x (W-90) + 2 x (H-60)	FLIPPER GASKET
ACDV245	1 x (W-62)	SEALING GASKET
ACDV245	1 x (H-84)	SEALING GASKET
ACDV246	1 x (W-84)	SEALING GASKET
ACDV246	1 x (H-84)	SEALING GASKET
ACDV249	1 x (W-84)	WOOLPILE
ACDV231	4	INTERMEDIATE HINGE
ACDV718/9	1	MULTI-POINT LOCK
ACDV251	1 (PAIR)	LEVER HANDLES
ACDV56	1 (PAIR)	END CAP FOR DV56
ACDV252	1	KEEP GUIDE
ACDV257	1 (SET OF 4)	INFILL BLOCK
ACVL032	1 x (H-84)	DV56 FLIPPER GASKET
ACDV258	1	50/50 CYLINDER
ACET131	2	DRAIN HOLE COVER
ACET060	2	SCREW FOR ACDV252
ACET067	11	SCREW FOR DV56
ACET069	4	DV23
ACDR052	12	SCREW FOR DV25
ACDV241	11	FIXING BLOCK FOR LOCK
ACDV264	11	FIXING SCREW FOR KEEP
ACDV265	11	FIXING SCREW FOR LOCK
ACSG023	11	FIXING BLOCK FOR KEEP
ACVG31	2 x (W-192) + 2 x (H-254)	EXTERNAL GLAZING GASKET
ACVG34	2 x (W-192) + 2 x (H-254)	INTERNAL GLAZING GASKET
ACDV261	1 (SET OF 4)	INFILL BLOCK
ACDV171/3	1 (PAIR)	END CAPS FOR DV171/173

Single Door

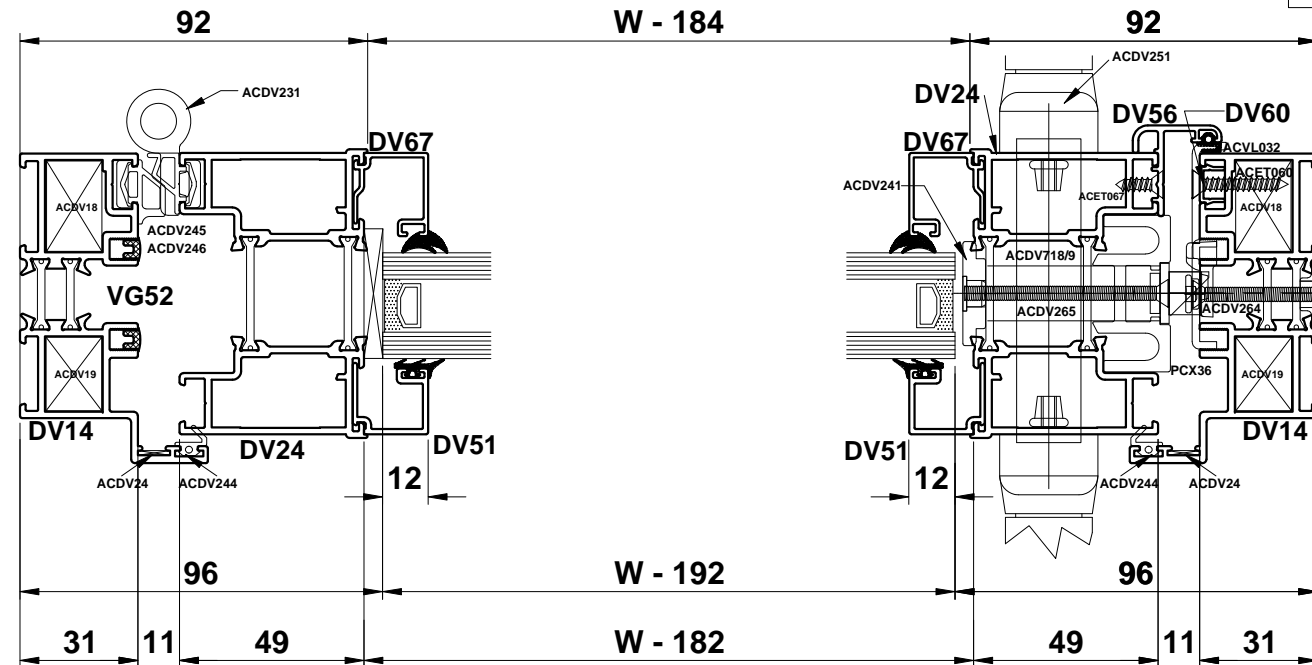


GLASS DEDUCTIONS

DV171	1 x	W - 192	H - 253.5
DV173	1 x	W - 192	H - 258.5

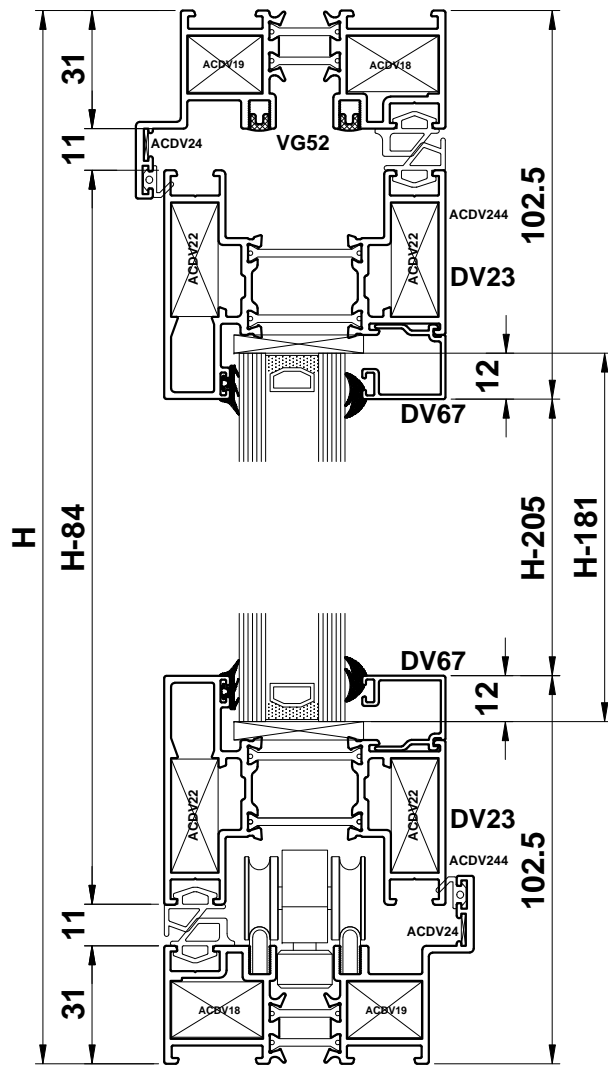
IMPORTANT NOTE:

Min. Sash Width 700mm / Max. Vent Width 1000mm
Max. Sash Weight 100kg
Max. Sash Height 2400mm Dependant On Site Conditions
Always Measure In the Last Vent.



Do Not Scale From This Drawing

Single Door With DV23 & Standard Threshold - Open In



DV14		2		W	
DV14		2		H	
DV23		2		W-182	
DV24		2		H-84	
DV51		2		H-205	
DV56		1		H-84	
DV63 or DV67		2		W-182	
DV63 or DV67		2		H-239	H-205
VG52		4		W-62	
VG52		4		H-62	
PCX36		1		H-84	

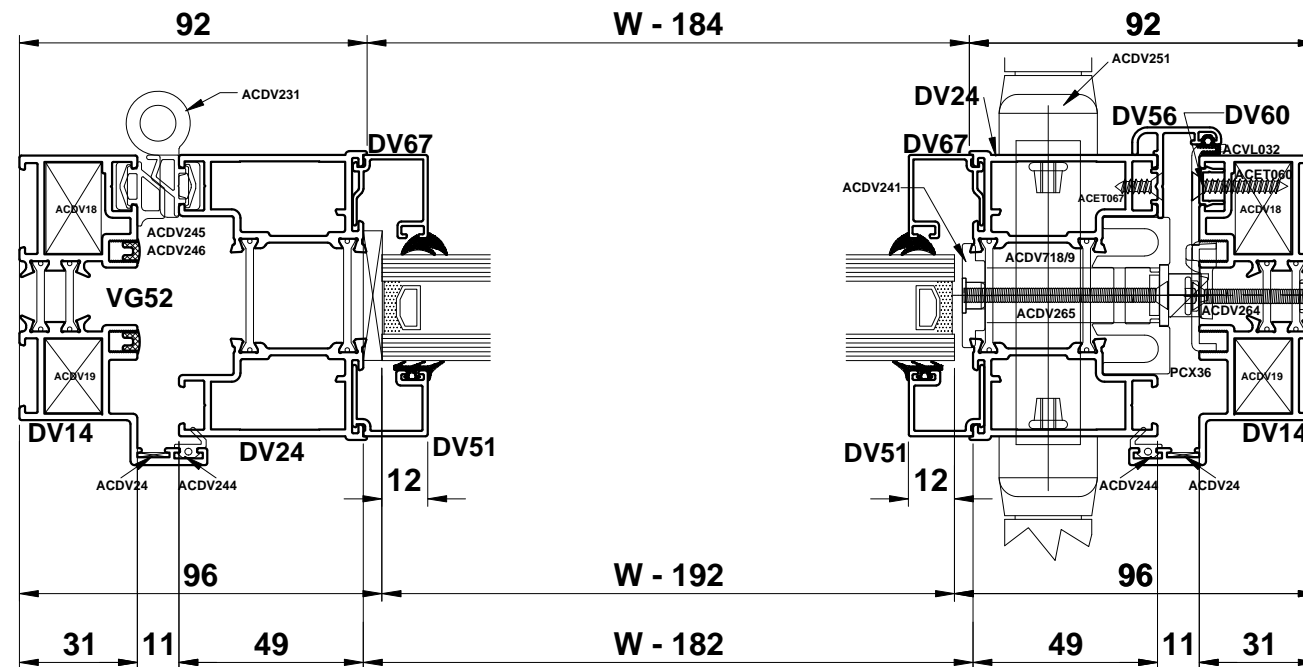
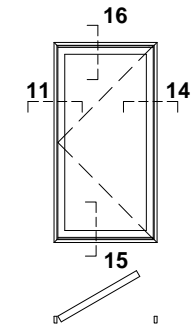
Note: PCX15 required for leaf heights over 2285mm.

GLASS SIZES	
1 X	W - 192
	H - 181

IMPORTANT NOTE:
Min. Sash Width 700mm / Max. Vent Width 1000mm
Max. Sash Weight 100kg
Max. Sash Height 2400mm Dependant On Site Conditions
Always Measure In the Last Vent.

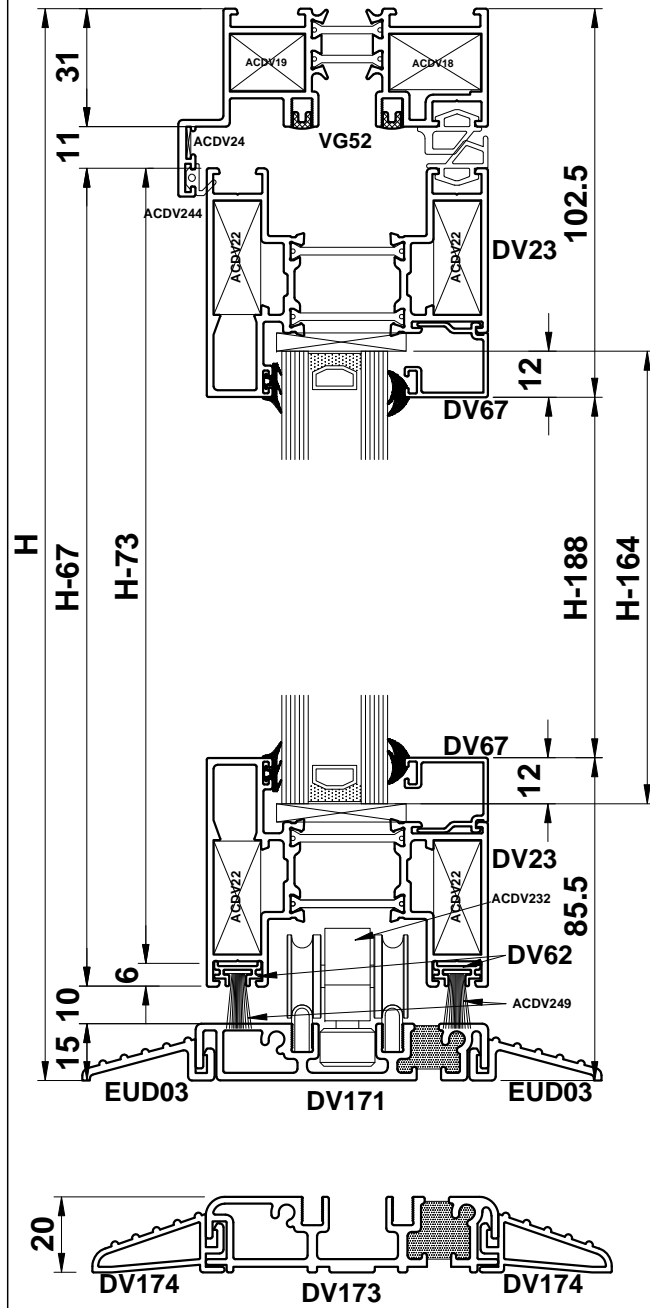
ACDV18	4	CLEAT FOR DV14
ACDV19	4	CLEAT FOR DV14
ACDV22	8	CLEAT FOR DV23
ACDV24	4	CHEVRON FOR DV14
ACDV244	2 x (W-90) + 2 x (H-90)	FLIPPER GASKET
ACDV245	2 x (W-62) + 1 x (H-62)	SEALING GASKET
ACDV245	1 x (H-84)	SEALING GASKET
ACDV246	2 x (W-84)	SEALING GASKET
ACDV246	1 x (H-84)	SEALING GASKET
ACDV231	4	INTERMEDIATE HINGE
ACDV718/9	1	MULTI-POINT LOCK
ACDV251	1 (PAIR)	LEVER HANDLES
ACDV56	1 (PAIR)	END CAP FOR DV56
ACDV252	1	KEEP GUIDE
ACDV257	1 (SET OF 4)	INFILL BLOCK
ACVL032	1 x (H-84)	DV56 FLIPPER GASKET
ACDV258	1	50/50 CYLINDER
ACET131	2	DRAIN HOLE COVER
ACET060	35	SCREW FOR ACDV252
ACET067	11	SCREW FOR DV56
ACET069	4	DV23
ACDR052	8	SCREW FOR DV25
ACDV241	11	FIXING BLOCK FOR LOCK
ACDV264	11	FIXING SCREW FOR KEEP
ACDV265	11	FIXING SCREW FOR LOCK
ACSG023	11	FIXING BLOCK FOR KEEP
ACVG31	2 x (W-192) + 2 x (H-271)	EXTERNAL GLAZING GASKET
ACVG34	2 x (W-192) + 2 x (H-271)	INTERNAL GLAZING GASKET

Single Door



Do Not Scale From This Drawing

Single Door With DV23 & Low Threshold - Open In



PROFILE CUTTING SCHEDULE (DV171)

DV14		1		W
DV14		2		H
DV171		1		W-66
EUD03		1		W-66
EUD03		1		W-99
DV23		1		W-182
DV24		2		H-73
DV25		1		W-182
DV51		2		H-188
DV56		1		H-73
DV63 or DV67		2		W-184
DV63 or DV67		2		H-222
DV62		2		W-182
VG52		4		W-62
VG52		4		H-42
PCX36		1		H-73

PROFILE CUTTING SCHEDULE (DV173)

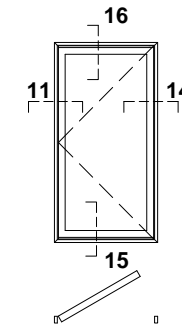
DV173		1		W-66
DV174		1		W-66
DV174		1		W-99
DV24		2		H-78
DV51		2		H-283
DV56		1		H-78
DV63 or DV67		2		H-249
DV60		1		H-51
PCX36		1		H-78

Note: PCX15 required for leaf heights over 2285mm.

ACCESSORIES

ACDV18	4	CLEAT FOR DV14
ACDV19	4	CLEAT FOR DV14
ACDV22	8	CLEAT FOR DV23
ACDV24	4	CHEVRON FOR DV14
ACDV244	1 x (W-90) + 2 x (H-60)	FLIPPER GASKET
ACDV245	1 x (W-62)	SEALING GASKET
ACDV245	1 x (H-73)	SEALING GASKET
ACDV246	1 x (W-73)	SEALING GASKET
ACDV246	1 x (H-73)	SEALING GASKET
ACDV249	1 x (W-73)	WOOLPILE
ACDV231	4	INTERMEDIATE HINGE
ACDV718/9	1	MULTI-POINT LOCK
ACDV251	1 (PAIR)	LEVER HANDLES
ACDV56	1 (PAIR)	END CAP FOR DV56
ACDV252	1	KEEP GUIDE
ACDV257	1 (SET OF 4)	INFILL BLOCK
ACVL032	1 x (H-84)	DV56 FLIPPER GASKET
ACDV258	1	50/50 CYLINDER
ACET131	2	DRAIN HOLE COVER
ACET060	2	SCREW FOR ACDV252
ACET067	11	SCREW FOR DV56
ACET069	4	DV23
ACDR052	12	SCREW FOR DV25
ACDV241	11	FIXING BLOCK FOR LOCK
ACDV264	11	FIXING SCREW FOR KEEP
ACDV265	11	FIXING SCREW FOR LOCK
ACSG023	11	FIXING BLOCK FOR KEEP
ACVG31	2 x (W-192) + 2 x (H-254)	EXTERNAL GLAZING GASKET
ACVG34	2 x (W-192) + 2 x (H-254)	INTERNAL GLAZING GASKET
ACDV261	1 (SET OF 4)	INFILL BLOCK
ACDV171/3	1 (PAIR)	END CAPS FOR DV171/173

Single Door

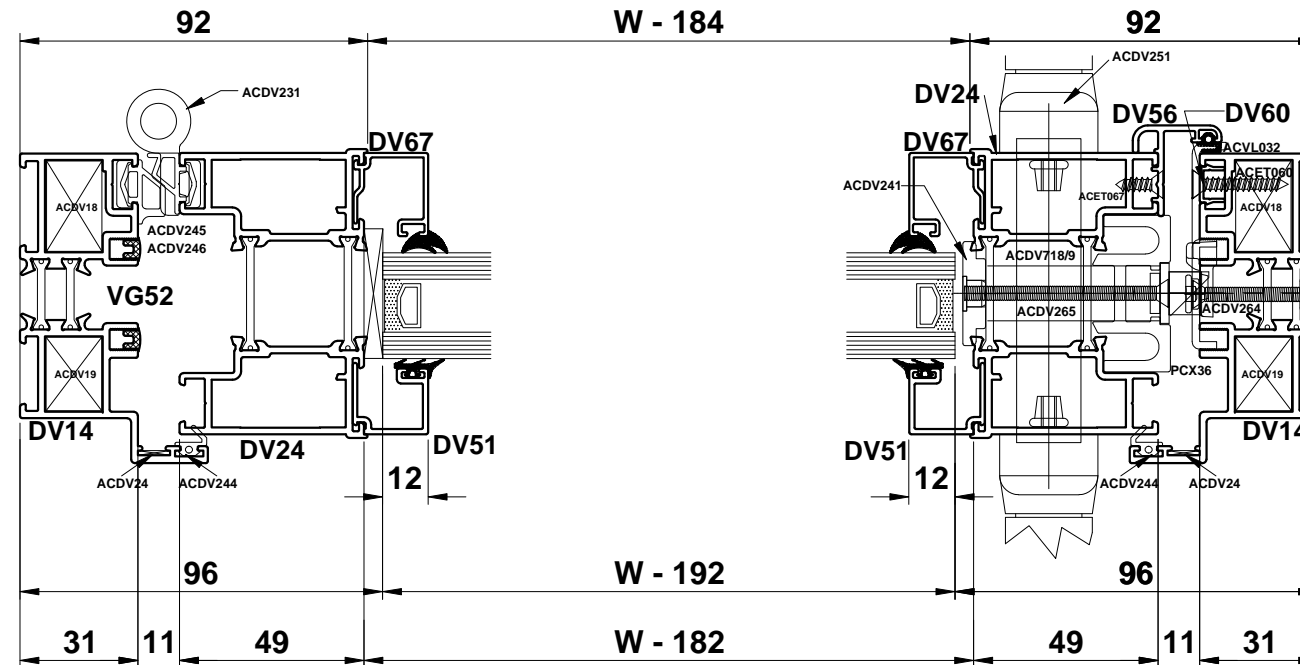


GLASS DEDUCTIONS

DV171	1 x	W - 192	H - 164
DV173	1 x	W - 192	H - 169

IMPORTANT NOTE:

Min. Sash Width 700mm / Max. Vent Width 1000mm
Max. Sash Weight 100kg
Max. Sash Height 2400mm Dependant On Site Conditions
Always Measure In the Last Vent.



Do Not Scale From This Drawing

Double Door With Standard Threshold - Open In

PROFILE CUTTING SCHEDULE

DV14		2	W
DV14		2	H
DV23		2	W/2-154.5
DV24		4	H-84
DV25		2	W/2-154.5
DV51		4	H-295
DV56		2	H-84
DV63 or DV67		4	W/2-152
DV63 or DV67		4	H-261 H-295
VG52		4	W-62
VG52		4	H-62
PCX36		2	H-84
DV68		2	H-84
PCX15		1	H-84

Note: PCX15 required for master door if leaf height is over 2285mm.

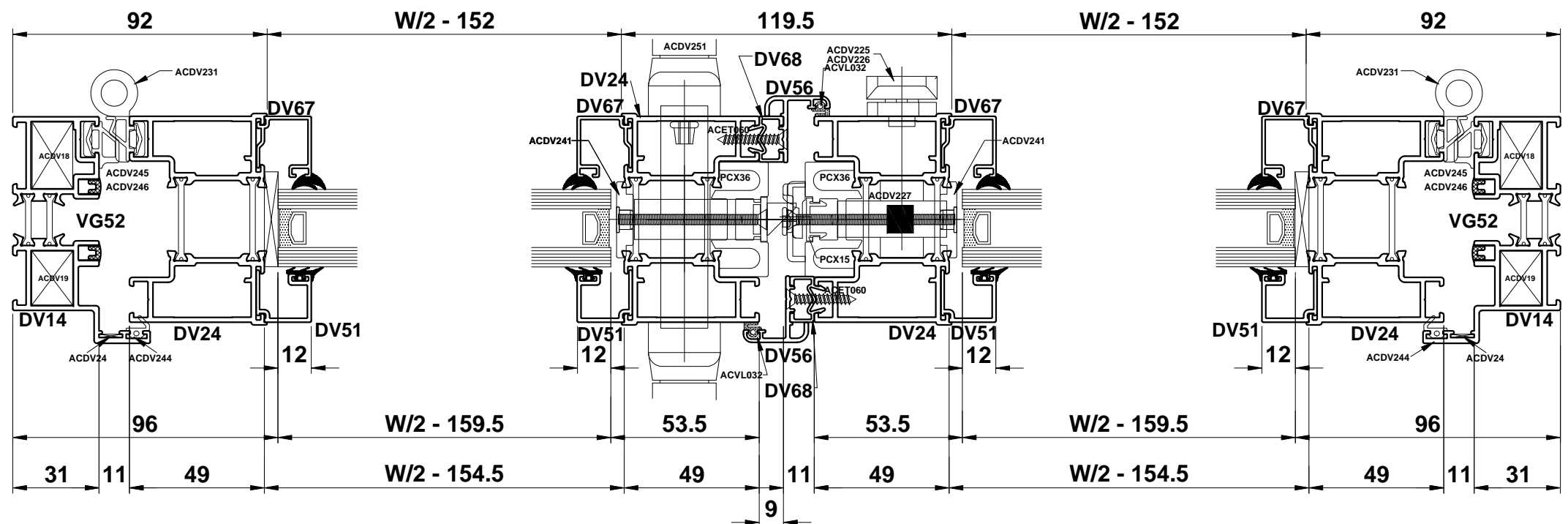
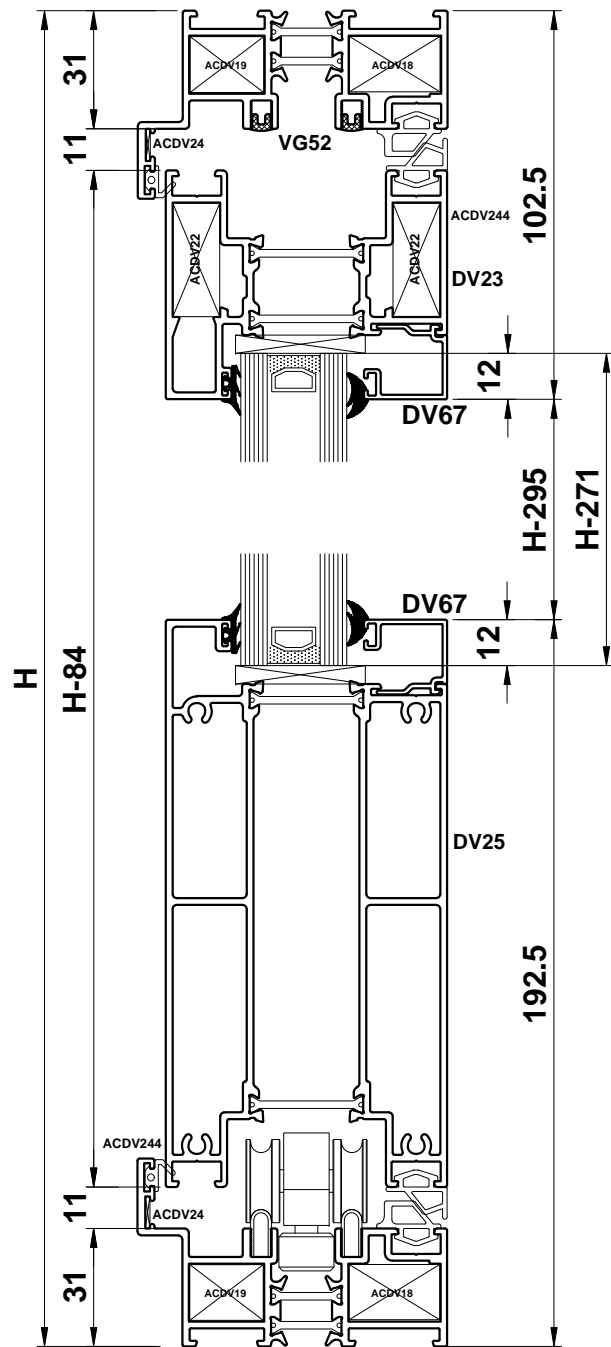
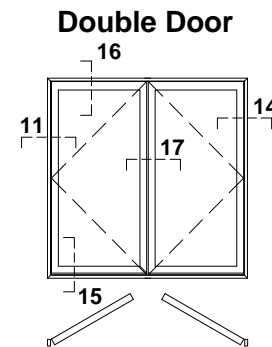
GLASS SIZES		W/2 - 159.5
2 X		H - 271.5

IMPORTANT NOTE:

Min. Sash Width 700mm / Max. Vent Width 1000mm
Max. Sash Weight 100kg
Max. Sash Height 2400mm Dependant On Site Conditions
Always Measure In the Last Vent.

ACCESSORIES

ACDV18	4	CLEAT FOR DV14
ACDV19	4	CLEAT FOR DV14
ACDV22	8	CLEAT FOR DV23
ACDV24	4	CHEVRON FOR DV14
ACDV225 or 226	1	SHOOTBOLT HANDLE
ACDV227	1	SHOOTBOLT GEARBOX
ACDV228	1 (PAIR)	SHOOTBOLT ROD
ACDV259	1 (PAIR)	SHOOTBOLT GUIDE
ACDV244	2 x (W-90) + 2 x (H-90)	FLIPPER GASKET
ACDV245	2 x (W-62)	SEALING GASKET
ACDV245	2 x (H-84)	SEALING GASKET
ACDV246	2 x (W/2-154.5)	SEALING GASKET
ACDV246	2 x (H-84)	SEALING GASKET
ACDV231	8	INTERMEDIATE HINGE
ACDV718/9	1	MULTI-POINT LOCK
ACDV251	1 (PAIR)	LEVER HANDLES
ACDV56	1 (PAIR)	END CAP FOR DV56
ACDV257	2 (SET OF 4)	INFILL BLOCK
ACVL032	2 x (H-84)	DV56 FLIPPER GASKET
ACDV258 (SL)	1	50/50 CYLINDER
ACET131	2	DRAIN HOLE COVER
ACET060	22	SCREW FOR DV56
ACET069	6	SCREW FOR DV23 & ACDV225/6
ACDR052	16	SCREW FOR DV25
ACDV241	22	FIXING BLOCK FOR LOCK & KEEPS
ACDV265	22	FIXING SCREW FOR LOCK & KEEPS
ACVG31	2 x (W-192) + 2 x (H-271)	EXTERNAL GLAZING GASKET
ACVG34	2 x (W-192) + 2 x (H-271)	INTERNAL GLAZING GASKET
ACMX01603 (SL)	1	HALF CYLINDER



Do Not Scale From This Drawing

Double Door With Low Threshold - Open In

PROFILE CUTTING SCHEDULE (DV171)

DV14		1	W
DV14		2	H
DV171		1	W-66
EUD03		1	W-66
EUD03		1	W-99
DV23		2	W/2-154.5
DV24		4	H-73
DV25		2	W/2-154.5
DV51		4	H-278
DV56		2	H-73
DV63 or DV67		4	W/2-152
DV63 or DV67		4	H-244 H-278
DV62		2	W/2-101
VG52		4	W-62
VG52		4	H-42
PCX36		2	H-73
DV68		2	H-73
PCX15		1	H-73

Note: PCX15 required for master door if leaf height

IMPORTANT NOTE:

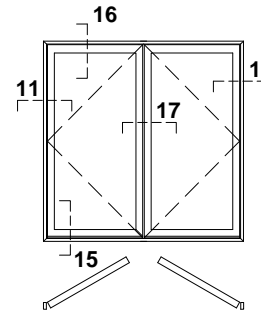
Min. Sash Width 700mm / Max. Vent Width 1000mm
Max. Sash Weight 100kg
Max. Sash Height 2400mm Dependant On Site Conditions
Always Measure In the Last Vent.

PROFILE CUTTING SCHEDULE (DV173)

DV173		1	W-66
DV174		1	W-66
DV174		1	W-99
DV24		4	H-78
DV51		4	H-283
DV56		2	H-78
DV63 or DV67		4	H-249 H-283
PCX36		2	H-78
DV68		2	H-78
PCX15		1	H-78

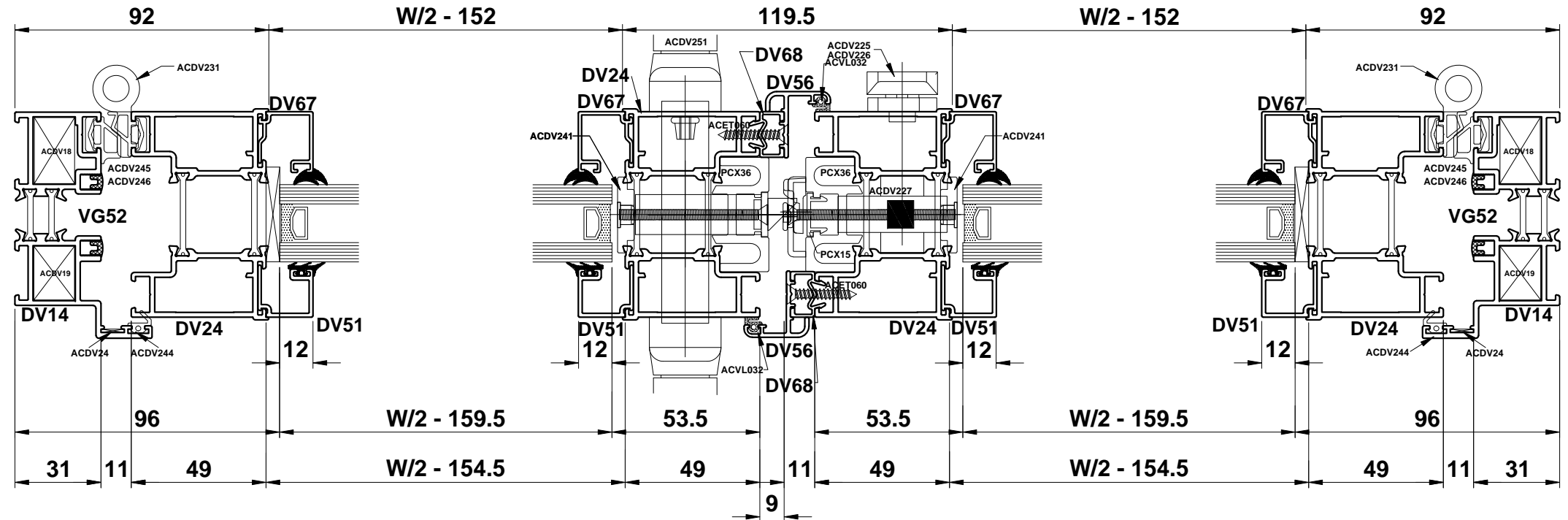
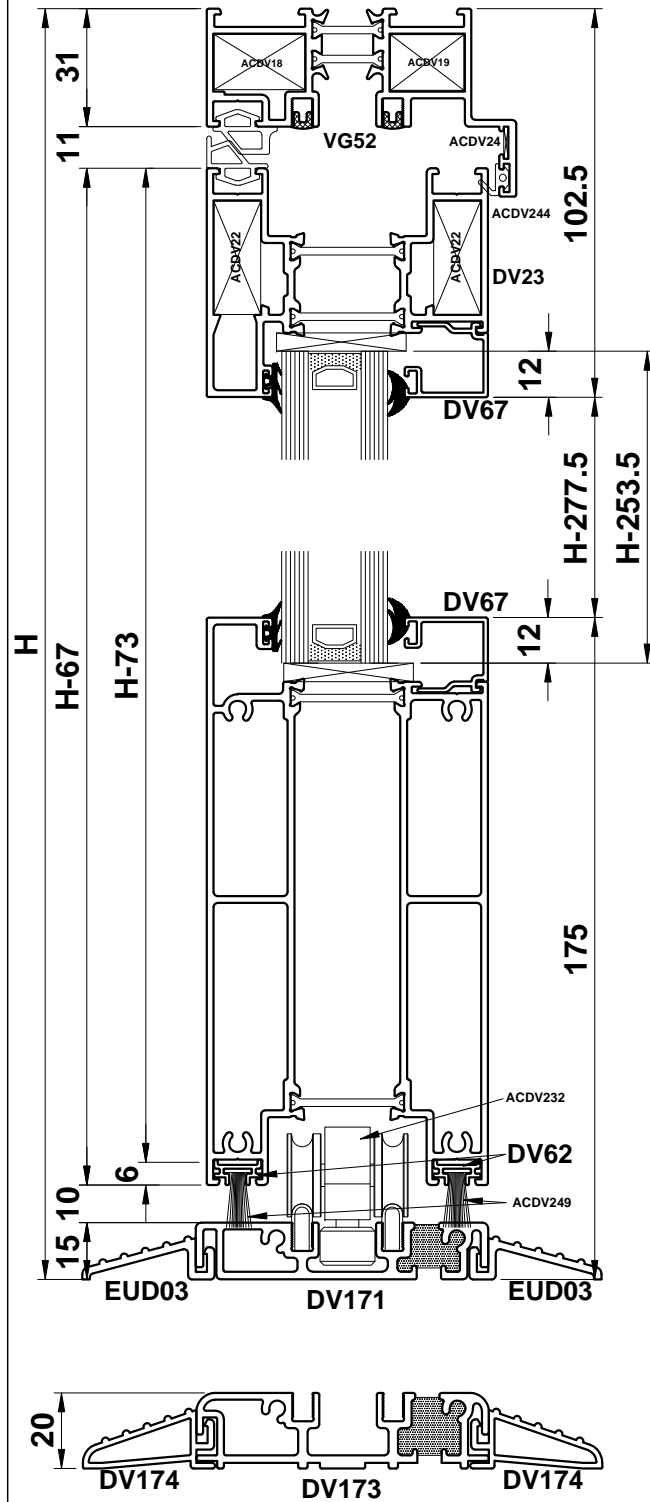
DV171	2 x	W - 159.5	H - 253.5
DV173	2 x	W - 159.5	H - 258.5

Double Door



ACCESSORIES

ACDV18	4	CLEAT FOR DV14
ACDV19	4	CLEAT FOR DV14
ACDV22	8	CLEAT FOR DV23
ACDV24	4	CHEVRON FOR DV14
ACDV225 or 226	1	SHOOTBOLT HANDLE
ACDV227	1	SHOOTBOLT GEARBOX
ACDV228	1 (PAIR)	SHOOTBOLT ROD
ACDV259	1 (PAIR)	SHOOTBOLT GUIDE
ACDV244	1 x (W-90) + 2 x (H-90)	FLIPPER GASKET
ACDV245	1 x (W-62)	SEALING GASKET
ACDV245	2 x (H-84)	SEALING GASKET
ACDV246	1 x (W/2-154.5)	SEALING GASKET
ACDV246	2 x (H-84)	SEALING GASKET
ACDV246	1 x (W/2-154.5)	WOOLPILE
ACDV231	8	INTERMEDIATE HINGE
ACDV718/9	1	MULTI-POINT LOCK
ACDV251	1 (PAIR)	LEVER HANDLES
ACDV56	1 (PAIR)	END CAP FOR DV56
ACDV257	1 (SET OF 4)	INFILL BLOCK
ACVL032	2 x (H-84)	DV56 FLIPPER GASKET
ACDV258 (SL)	1	50/50 CYLINDER
ACET131	2	DRAIN HOLE COVER
ACET060	22	SCREW FOR DV56
ACET069	6	SCREW FOR DV23 & ACDV225/6
ACDR052	24	SCREW FOR DV25 & DV171/3
ACDV241	22	FIXING BLOCK FOR LOCK & KEEPS
ACDV265	22	FIXING SCREW FOR LOCK & KEEPS
ACVG31	2 x (W-192) + 2 x (H-271)	EXTERNAL GLAZING GASKET
ACVG34	2 x (W-192) + 2 x (H-271)	INTERNAL GLAZING GASKET
ACMX01603 (SL)	1	HALF CYLINDER
ACDV261	1 (SET OF 4)	INFILL BLOCK
ACDV171/3	1 (PAIR)	END CAPS FOR DV171/173



Do Not Scale From This Drawing

Double Door With DV23 & Standard Threshold - Open In

PROFILE CUTTING SCHEDULE

DV14		2		W
DV14		2		H
DV23		4		W/2-154.5
DV24		4		H-84
DV51		4		H-205
DV56		2		H-84
DV63 or DV67		4		W/2-154.5
DV63 or DV67		4		H-239 H-205
VG52		4		W-62
VG52		4		H-62
PCX36		2		H-84
DV68		2		H-84
PCX15		1		H-84

Note: PCX15 required for master door if leaf height is over 2285mm.

GLASS SIZES	2 X	W/2 - 152
		H - 181

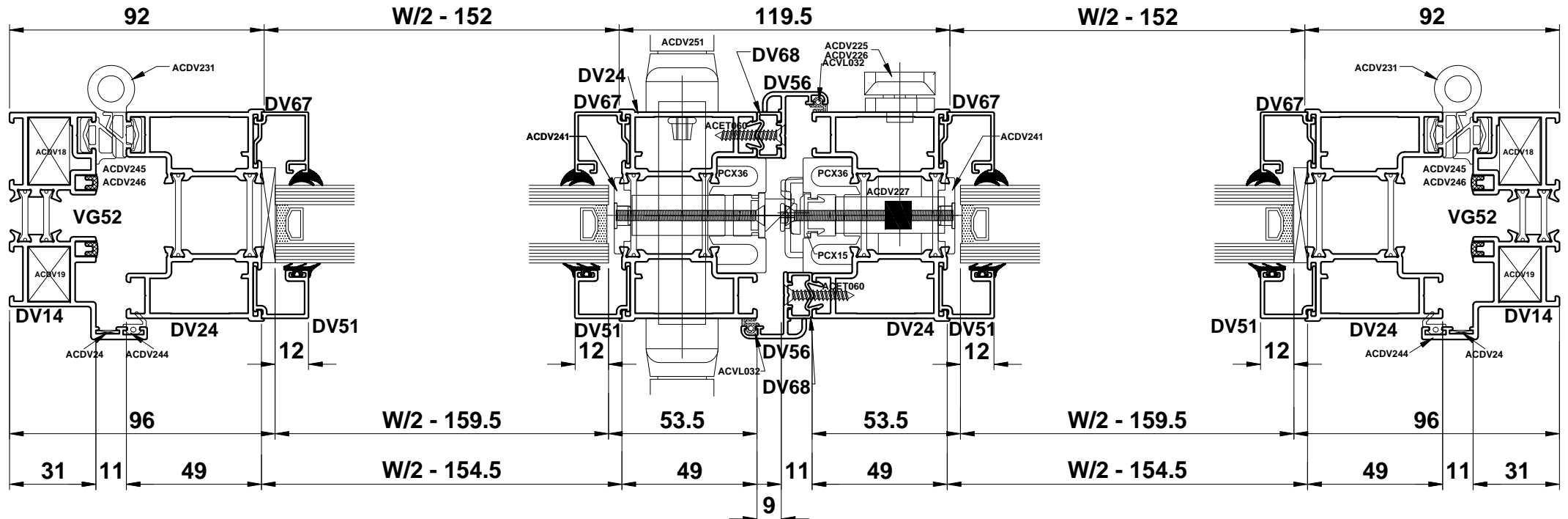
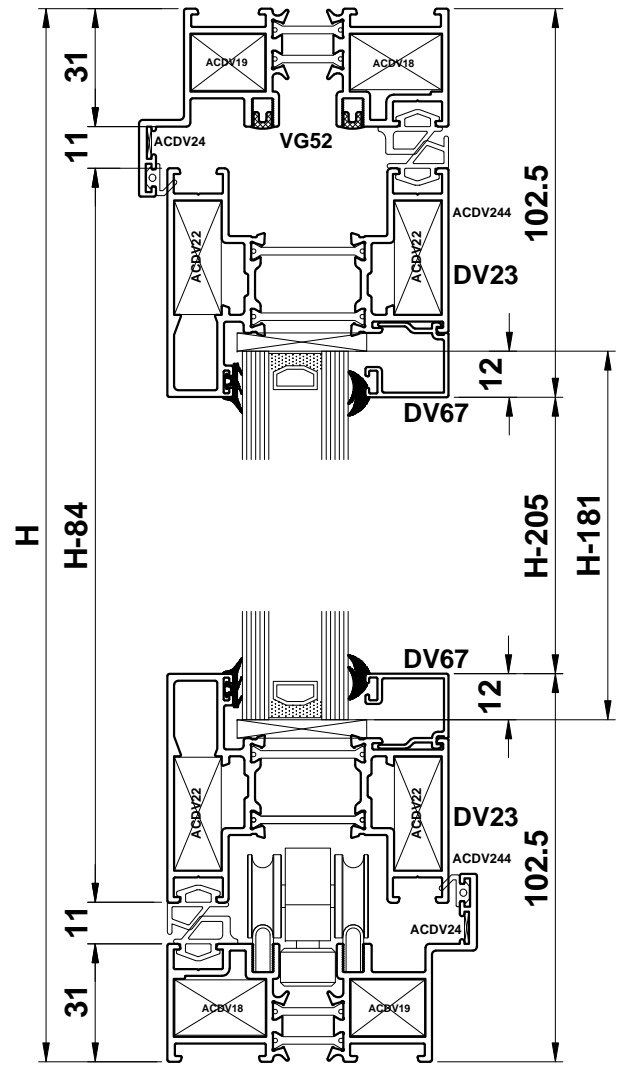
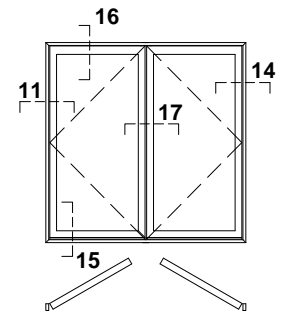
IMPORTANT NOTE:

Min. Sash Width 700mm / Max. Vent Width 1000mm
Max. Sash Weight 100kg
Max. Sash Height 2400mm Dependant On Site Conditions
Always Measure In the Last Vent.

ACCESSORIES

ACDV18	4	CLEAT FOR DV14
ACDV19	4	CLEAT FOR DV14
ACDV22	16	CLEAT FOR DV23
ACDV24	4	CHEVRON FOR DV14
ACDV225 or 226	1	SHOOTBOLT HANDLE
ACDV227	1	SHOOTBOLT GEARBOX
ACDV228	1 (PAIR)	SHOOTBOLT ROD
ACDV259	1 (PAIR)	SHOOTBOLT GUIDE
ACDV244	2 x (W-90) + 2 x (H-90)	FLIPPER GASKET
ACDV245	2 x (W-62)	SEALING GASKET
ACDV245	2 x (H-84)	SEALING GASKET
ACDV246	2 x (W/2-154.5)	SEALING GASKET
ACDV246	2 x (H-84)	SEALING GASKET
ACDV231	8	INTERMEDIATE HINGE
ACDV718/9	1	MULTI-POINT LOCK
ACDV251	1 (PAIR)	LEVER HANDLES
ACDV56	1 (PAIR)	END CAP FOR DV56
ACDV257	2 (SET OF 4)	INFILL BLOCK
ACVL032	2 x (H-84)	DV56 FLIPPER GASKET
ACDV258 (SL)	1	50/50 CYLINDER
ACET131	2	DRAIN HOLE COVER
ACET060	22	SCREW FOR DV56
ACET069	6	SCREW FOR DV23 & ACDV225/6
ACDR052	4	SCREW FOR DV25
ACDV241	22	FIXING BLOCK FOR LOCK & KEEPS
ACDV265	22	FIXING SCREW FOR LOCK & KEEPS
ACVG31	2 x (W-192) + 2 x (H-271)	EXTERNAL GLAZING GASKET
ACVG34	2 x (W-192) + 2 x (H-271)	INTERNAL GLAZING GASKET
ACMX01603 (SL)	1	HALF CYLINDER

Double Door



Do Not Scale From This Drawing

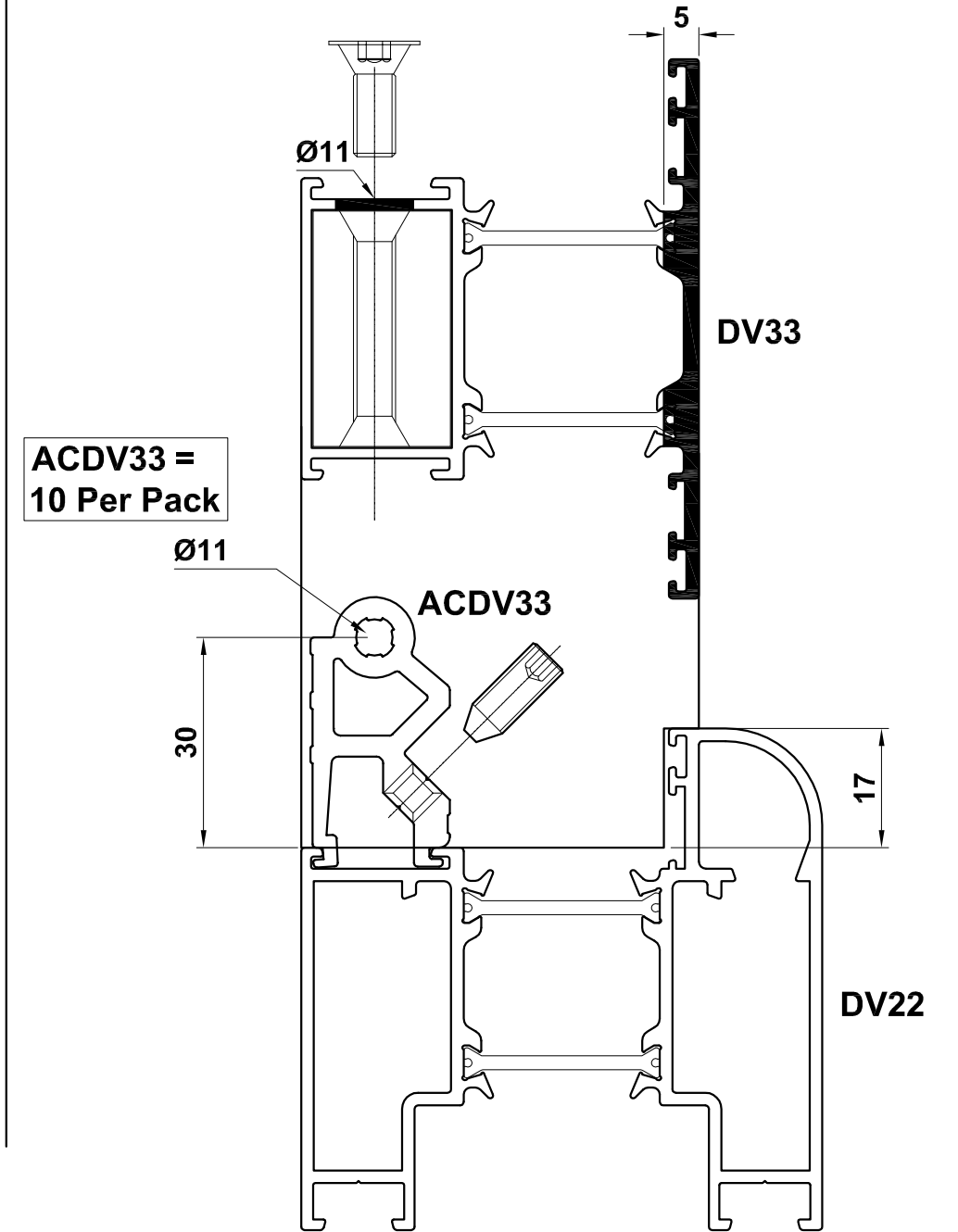
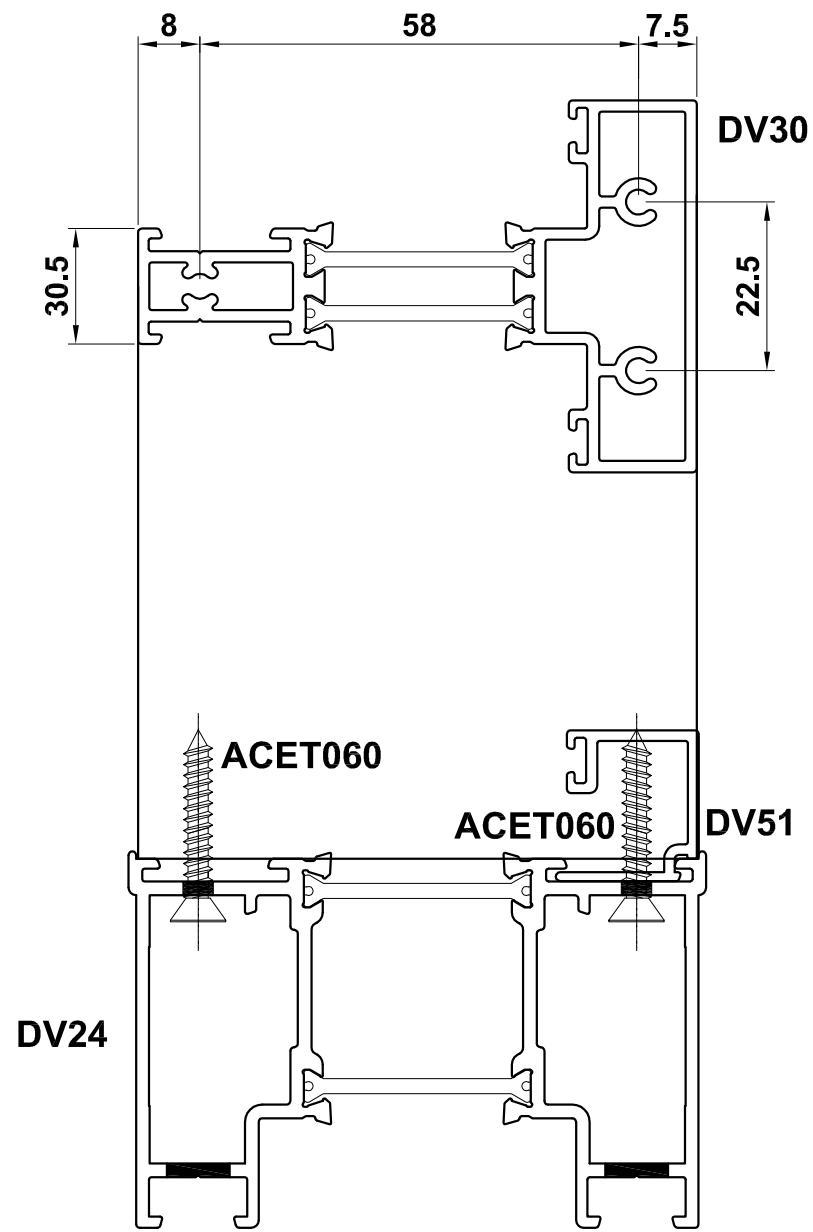
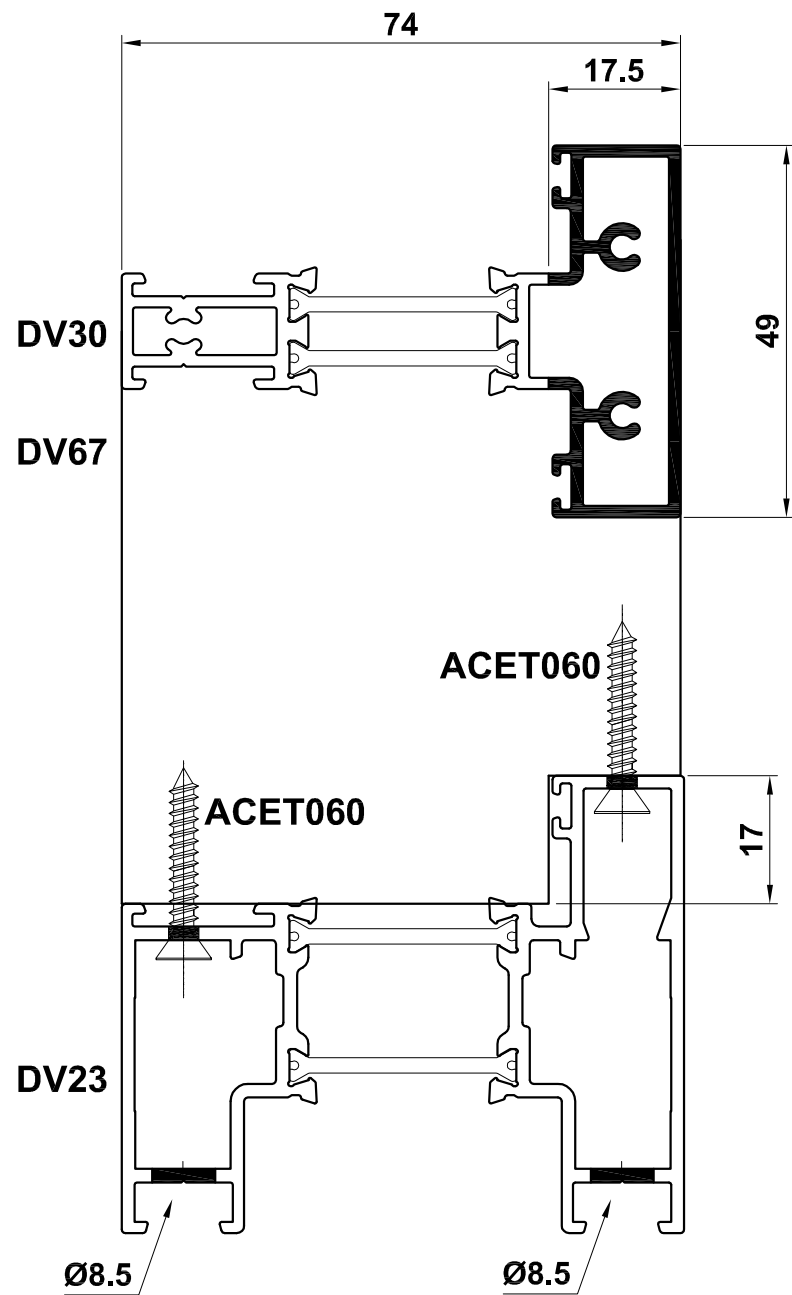
Bulletin

DV30 = New transom for Visofold 1000 & Visofold 2000

Number	Perim. mm	Mec. mm	lx(cm4) wx(cm3)	ly(cm4) wy(cm3)	Length	Pack pr.	MF	SA	KL	HP	M
DV30	324	99	28.27 ----- 6.19	6.71 ----- 2.73	6.5	1	X	X	X	X	X

DV33 = New transom for Visofold 3000

Number	Perim. mm	Mec. mm	lx(cm4) wx(cm3)	ly(cm4) wy(cm3)	Length	Pack pr.	MF	SA	KL	HP	M
DV33	426	129	22.49 ----- 6.58	15.8 ----- 4.1	6.5	1	X	X	X	X	X



Do Not Scale From This Drawing

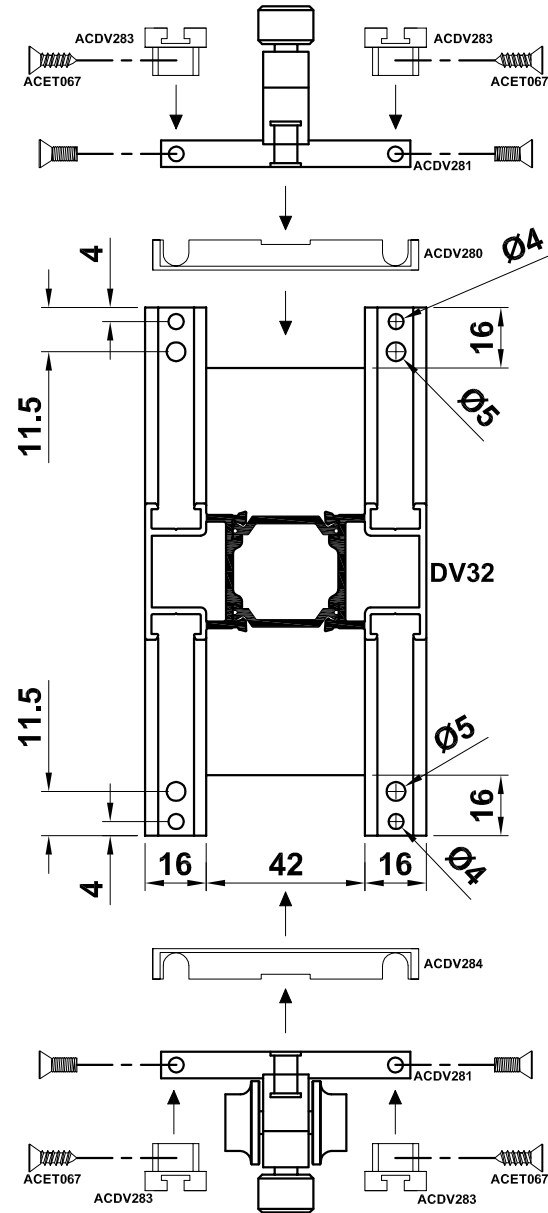
Bulletin Open In & Out

DV32 Preparation for Standard & Low Threshold

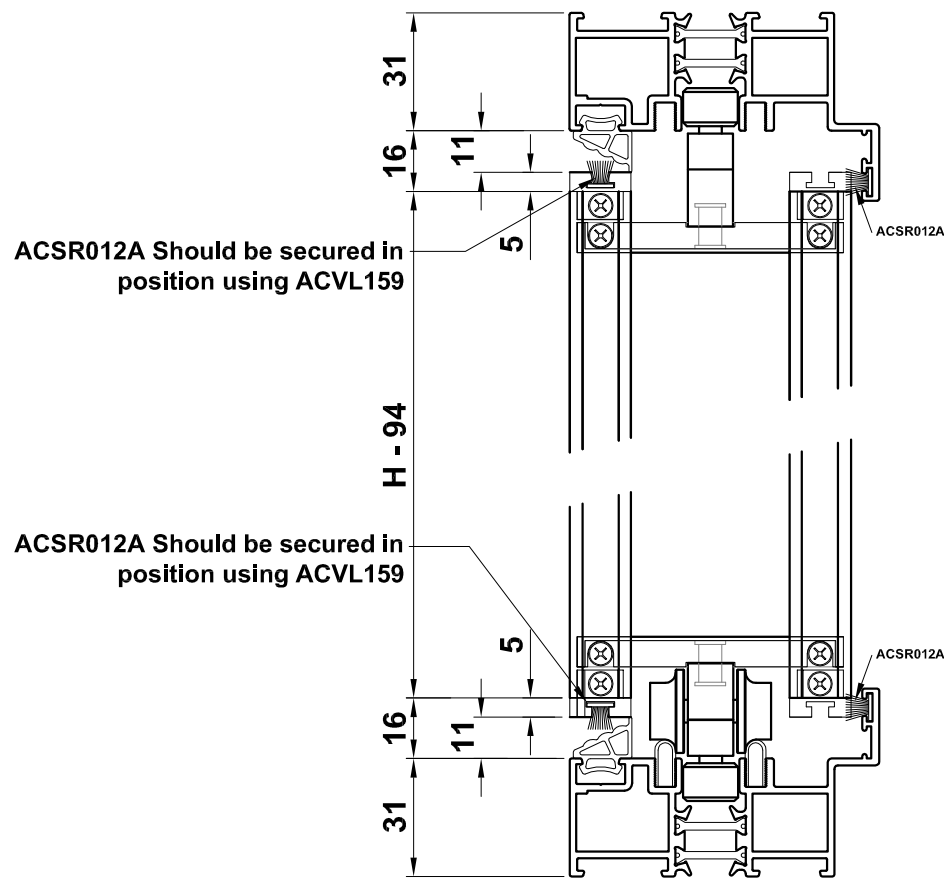
Head

New roller, top guide and accessories to replace ACDV232, ACDV233, ACDV242 & ACDV255 where DV32 is required.

Two additional ACDV231 intermediate hinges are required per mullion.



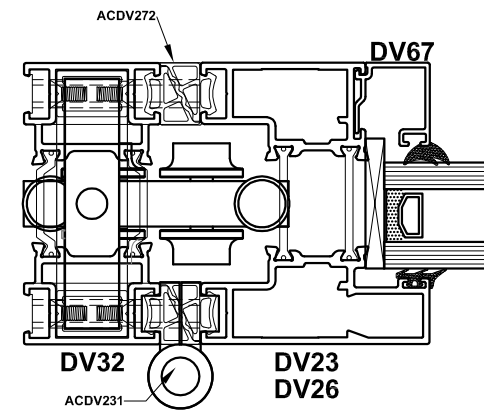
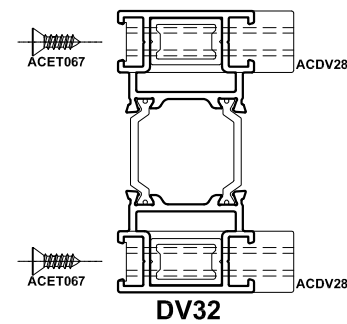
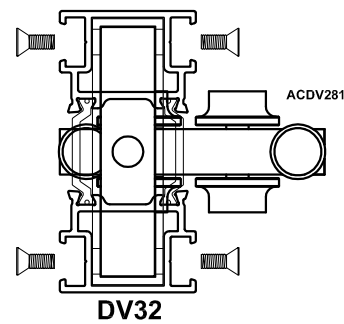
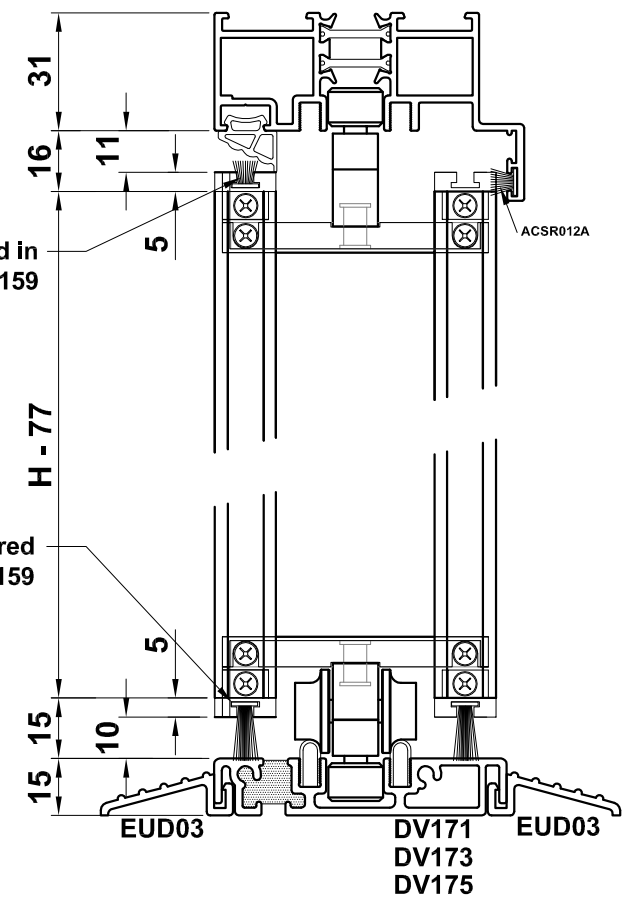
Sill



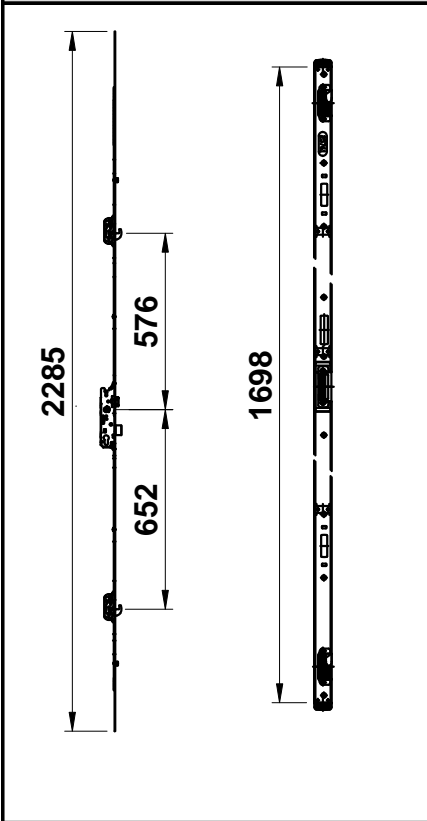
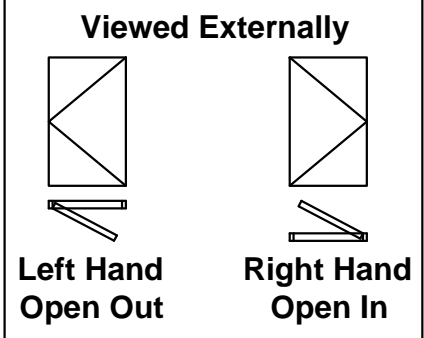
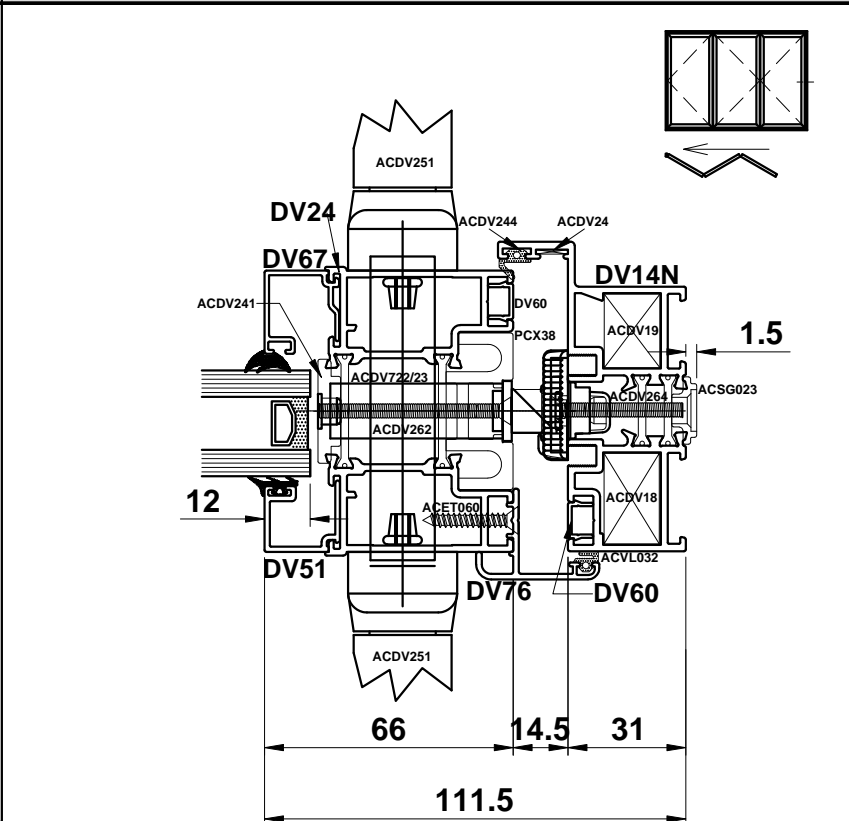
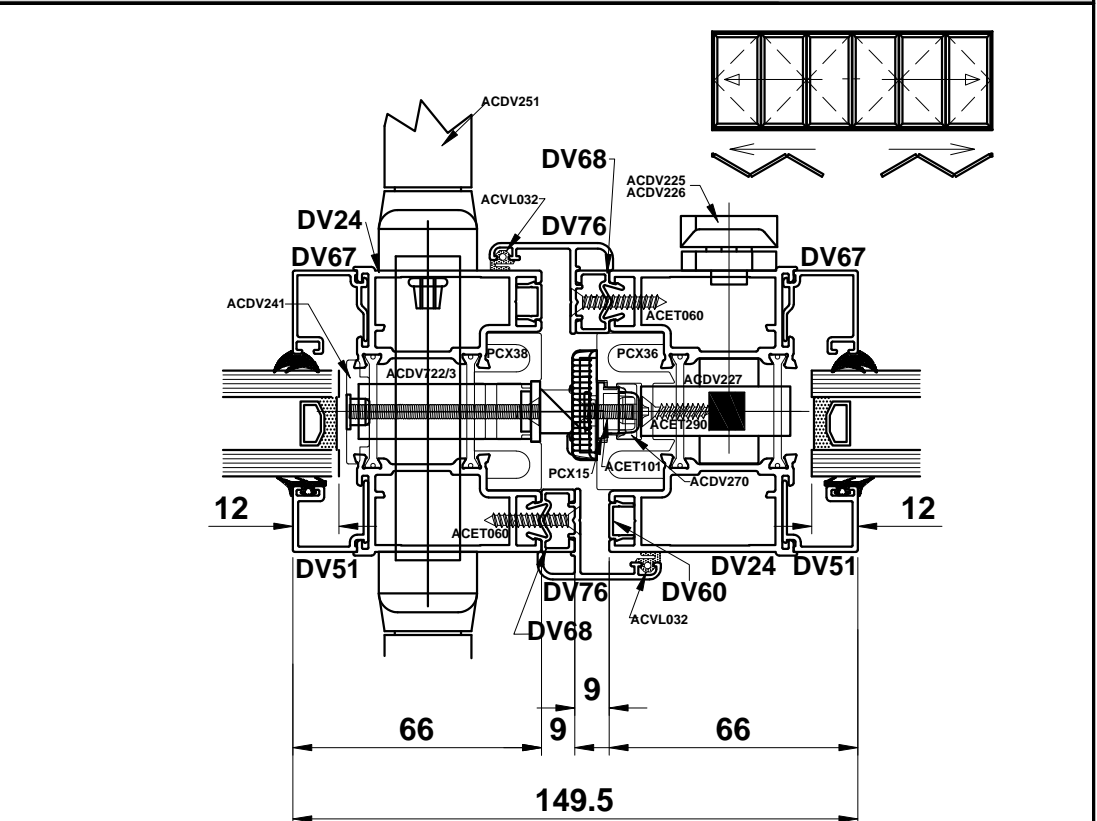
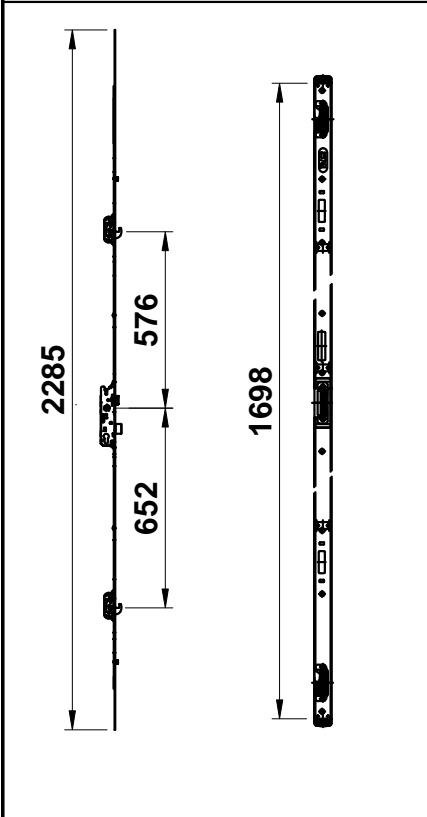
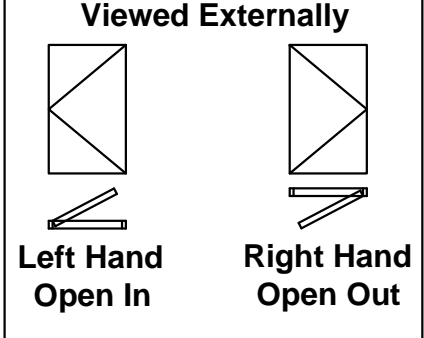
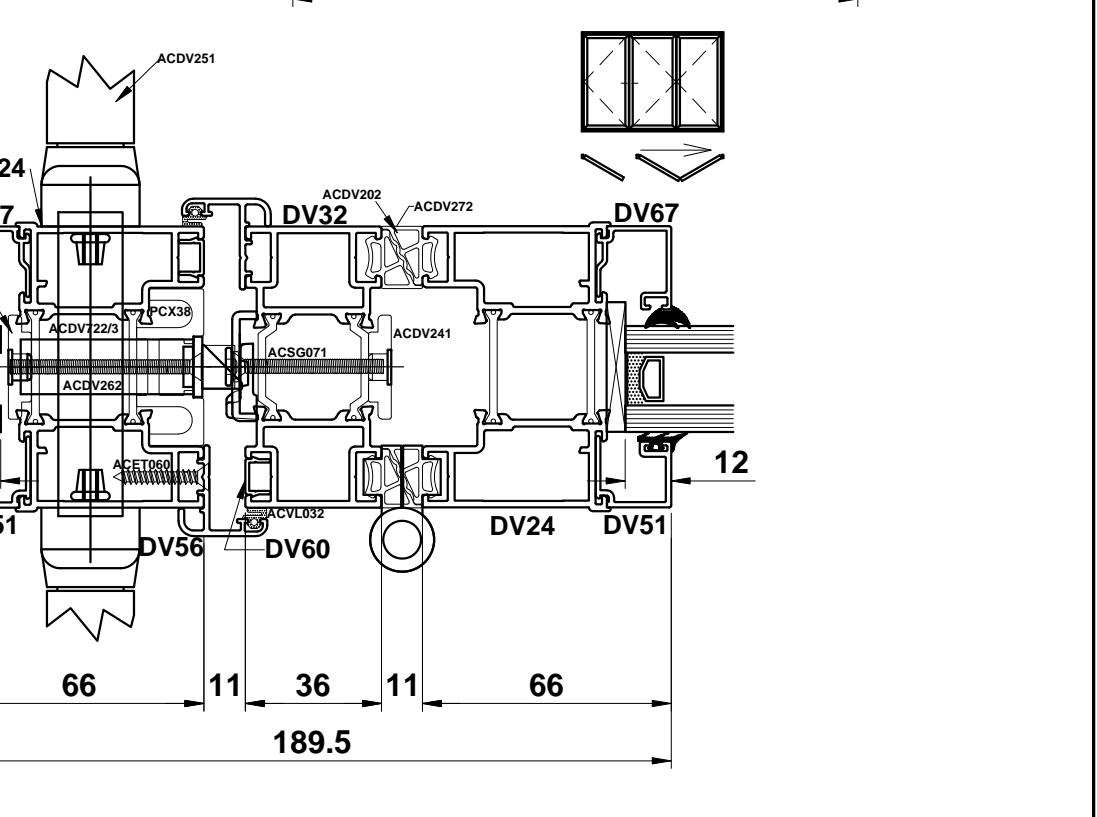
NOTE:
Where DV32 is used, ACSR012A should replace ACDV244 in outerframe

ACSR012A Should be secured in position using ACVL159

ACDV249 Should be secured in position using ACVL159

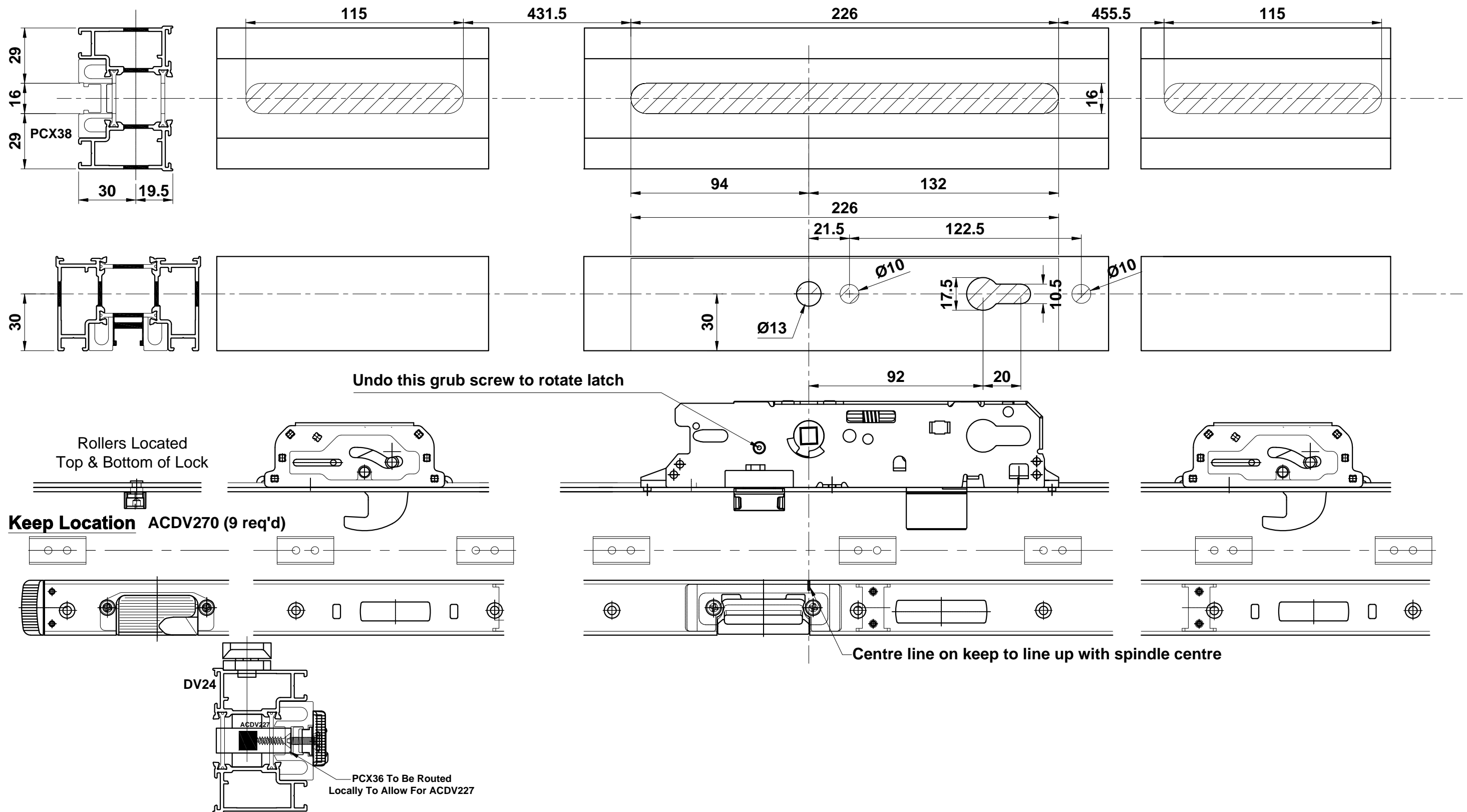


Do Not Scale From This Drawing

Image	Part Code	Pack	Unit		
	<p>ACDV722</p> <p>Multi Point Lock Kit with LEFT HAND Full Height Keep</p> <p>Viewed Externally</p>  <p>Left Hand Open Out Right Hand Open In</p>	1	each		
	<p>ACDV723</p> <p>Multi Point Lock Kit with RIGHT HAND Full Height Keep</p> <p>Viewed Externally</p>  <p>Left Hand Open In Right Hand Open Out</p>	1	each	<p>New versions of ACDV718 & ACDV719 with a full height which can be used in Visofold 2000.</p>	

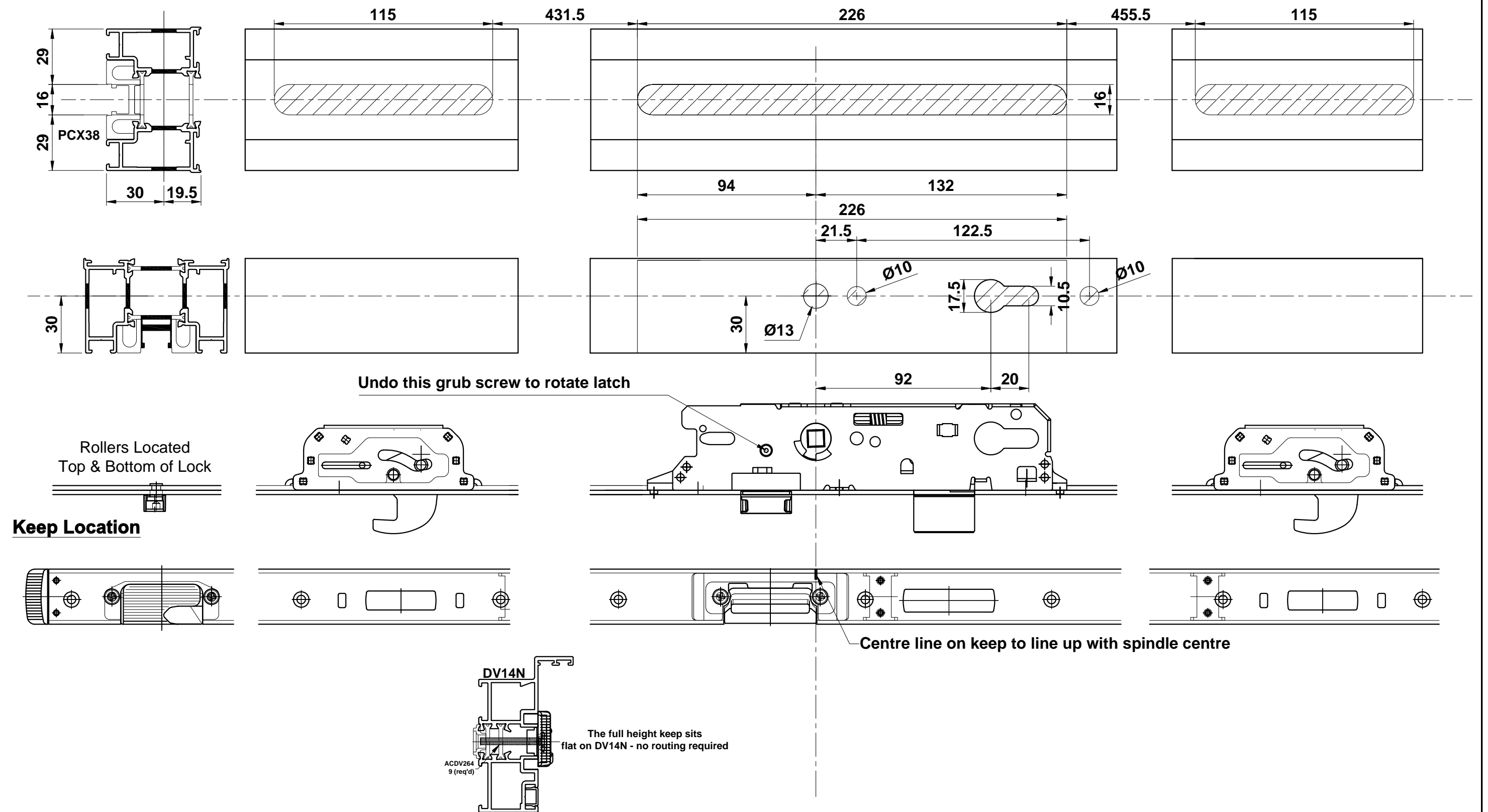
Do Not Scale From This Drawing

ACDV722/723 Preparation - Locking into DV24 with ACDV251 Handle



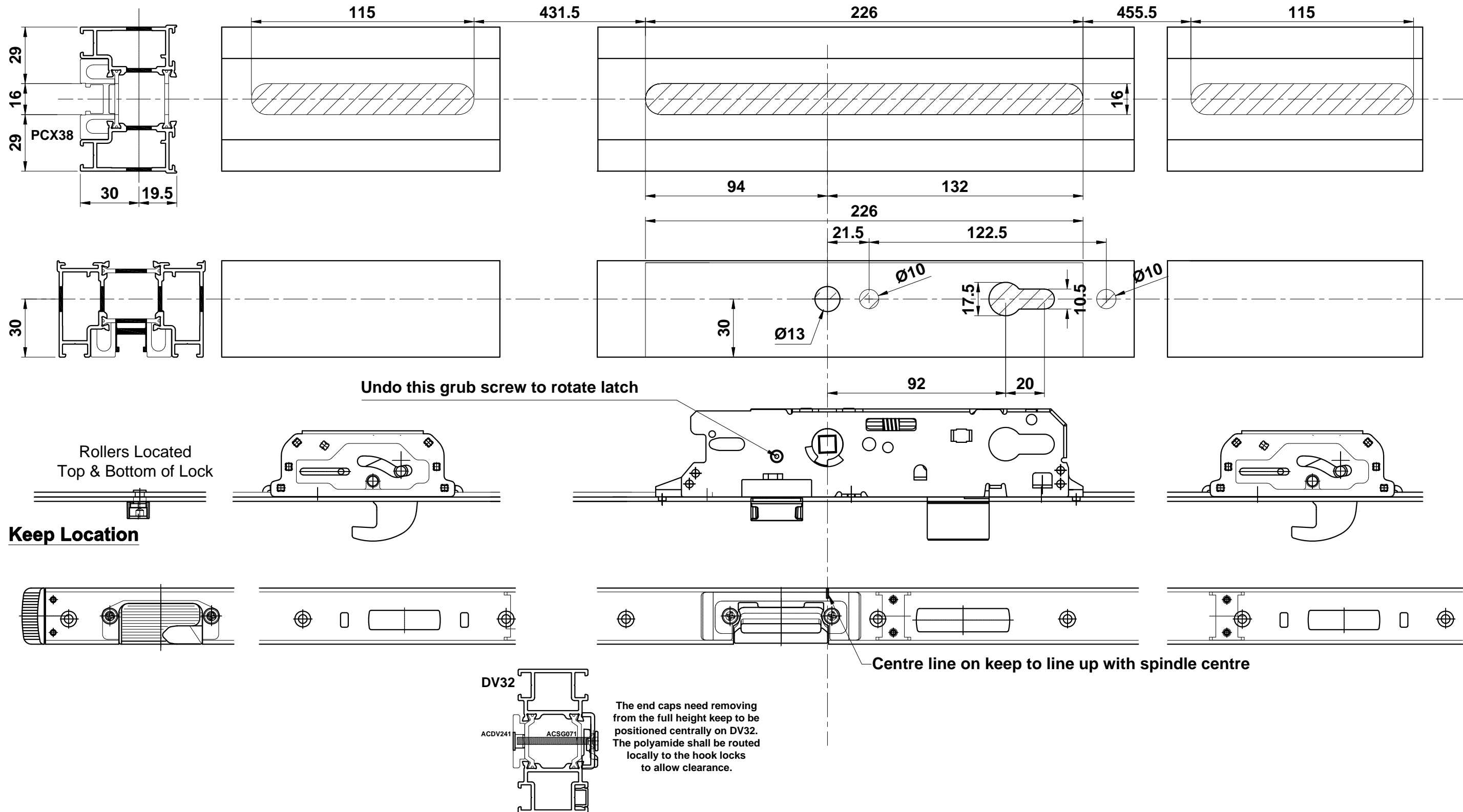
Do Not Scale From This Drawing

ACDV722/723 Preparation - Locking into DV14N with ACDV251 Handle



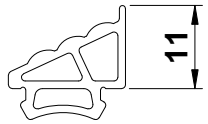
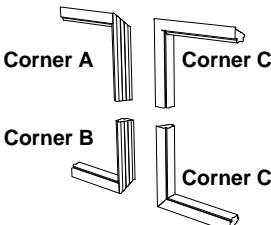
Do Not Scale From This Drawing

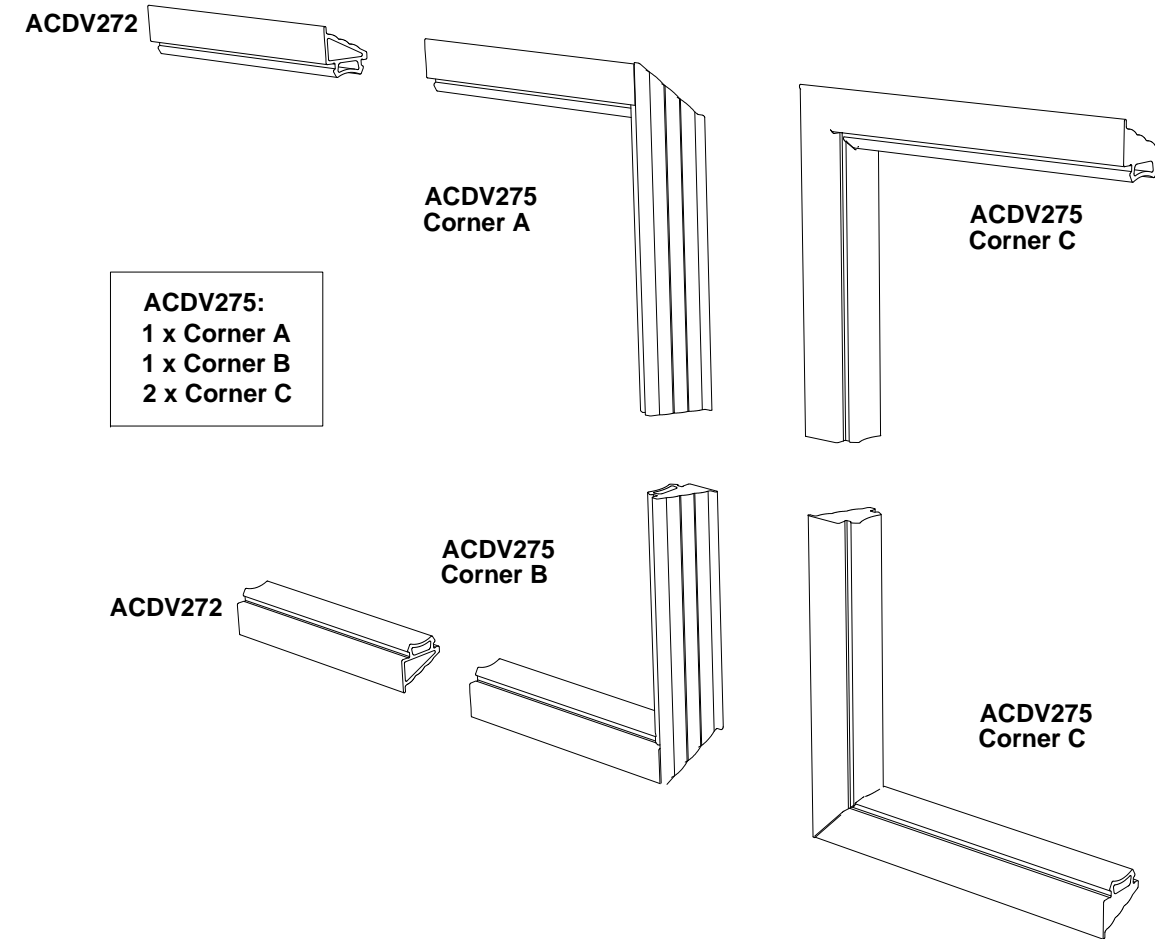
ACDV722/723 Preparation - Locking into DV32 with ACDV251 Handle



Do Not Scale From This Drawing

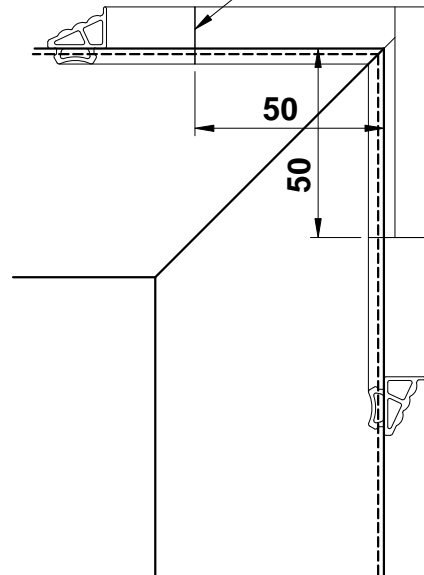
New Gasket ACDV272 & Corner Moulds ACDV275

Image	Part Code	Pack	Unit	Application	Colour
	ACDV272 Sealing Gasket	100	m	DV11 DV14N DV22 DV23 DV24 DV26 DV27	MF
					SA
					KL
					HP
					M
					GOZ
					W
					Z X
	ACDV275 Corner Gaskets to Join ACDV272 Around Sash Typically 1 Set = 1 Sash	10	sets	DV22 DV23 DV24 DV26 DV27	MF
					SA
					KL
					HP
					M
					GOZ
					W
					Z X



Cut ACDV272 between ACDV275 corner moulds

Bond joins using ACMX09830



ACDV275
Corner A Shown

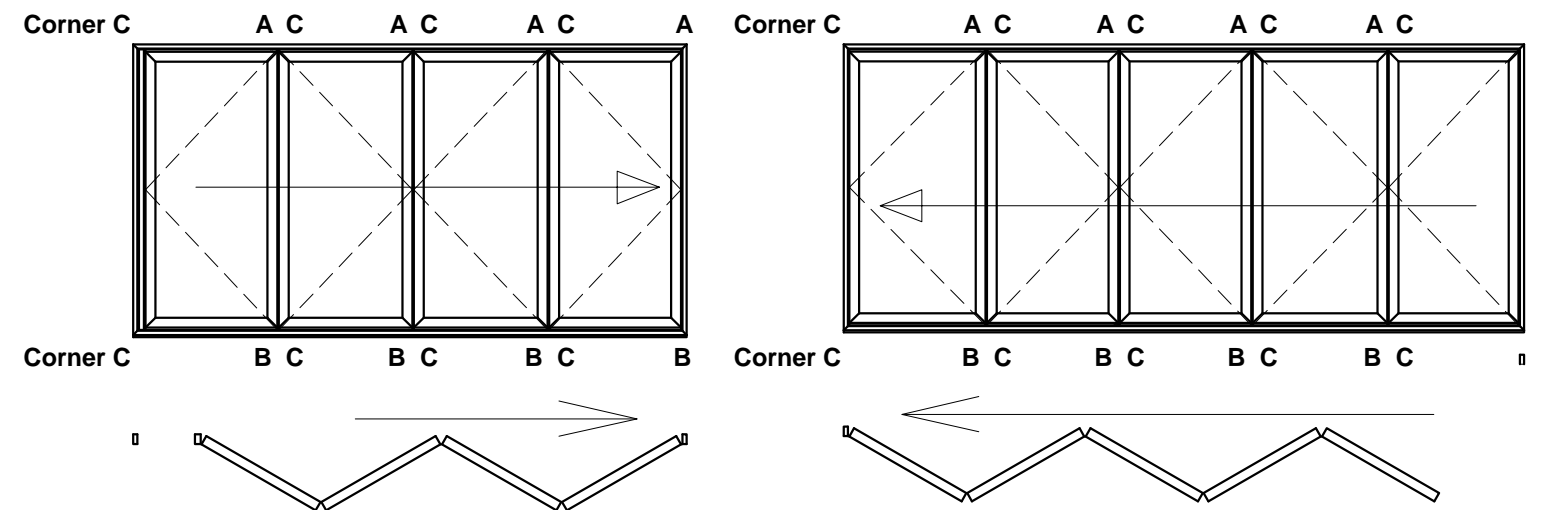
ACDV275 needs to be cut to fit above or below the hinges

Cut ACDV272 between ACDV275 corner moulds

Please Note:

- Typically: one set = one sash
- The ACDV275's can be rotated as required
- Where low thresholds are used, ACDV275's are not required at the bottom of door leaves.

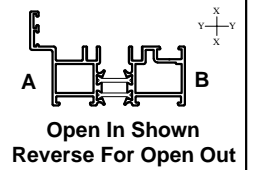
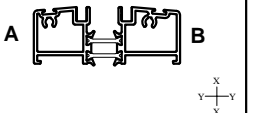
Typical Arrangement of ACDV275's



Do Not Scale From This Drawing

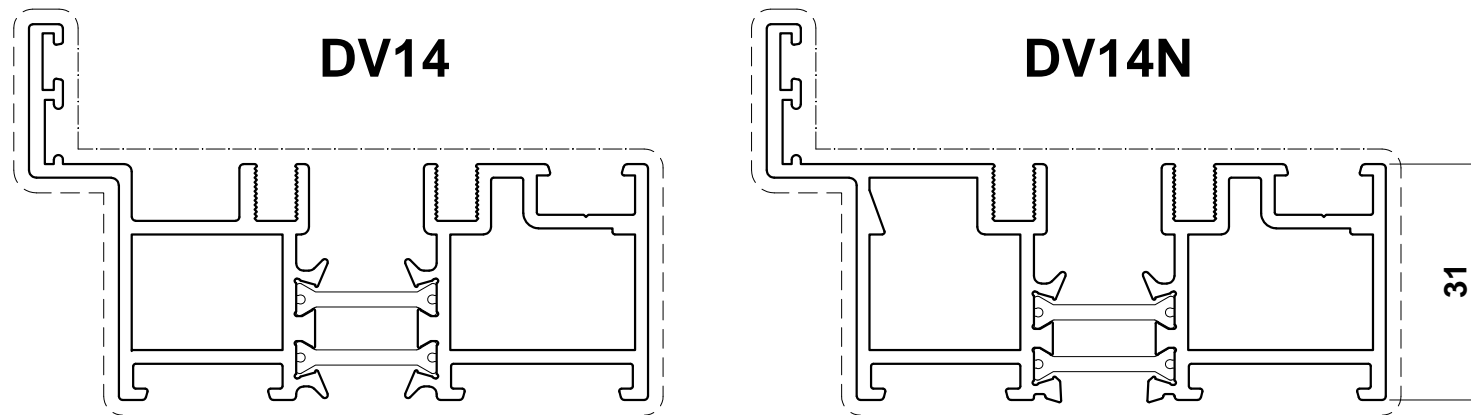
Recent System Updates

New Sections

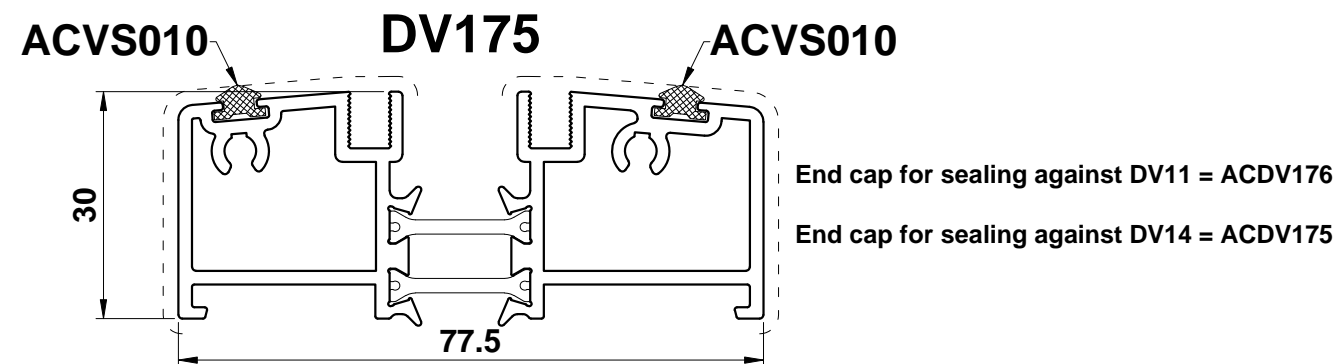
Number	Picture	Page	Perim. mm	Mec. mm	Ix(cm4) wx(cm3)	Iy(cm4) wy(cm3)	Length	Pack pr.	MF	SA	KL	HP	M
DV14N		A10	458.7	99.2	37.0 ----- 8.9	7.8 ----- 4.3	6.5	1	X	X	X	X	X
DV175		A14	380.3	136.2	- ----- -	- ----- -	6.5	1	X	X	X	X	X

DV14 will be replaced with DV14N.

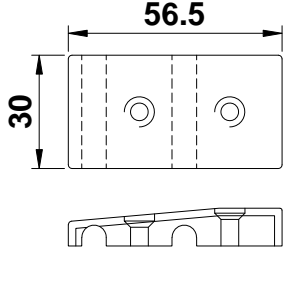
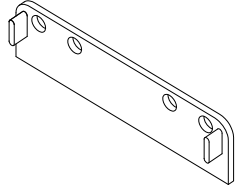
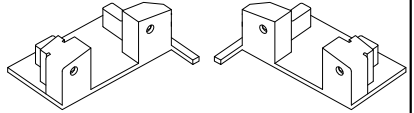
All dimensions & accessories will remain the same.



DV175 is now available as a low threshold option



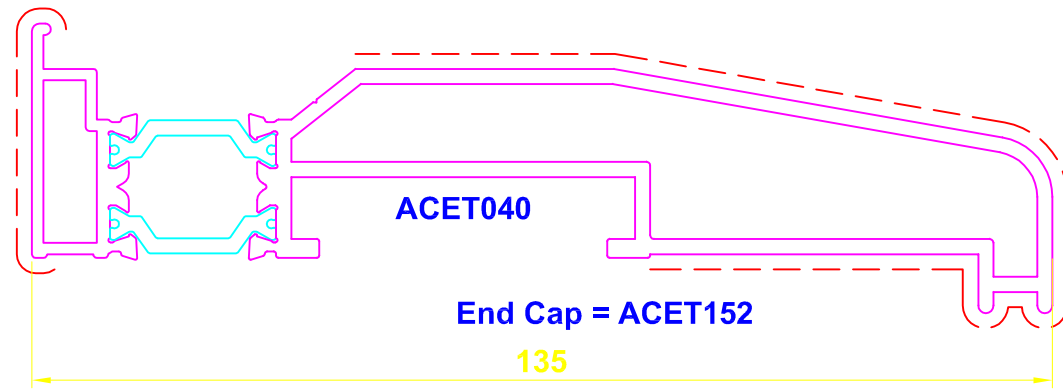
New Accessories

Image	Part Code	Pack	Unit	Application	Colour																		
	ACDV080 Run Up Block For use with DV14/DV14N	50	pack	DV14N DV23 DV26	<table border="1"> <tr><td>MF</td><td></td></tr> <tr><td>SA</td><td></td></tr> <tr><td>KL</td><td></td></tr> <tr><td>HP</td><td></td></tr> <tr><td>M</td><td></td></tr> <tr><td>GOZ</td><td></td></tr> <tr><td>W</td><td>X</td></tr> <tr><td>Z</td><td>X</td></tr> <tr><td>PC</td><td></td></tr> </table>	MF		SA		KL		HP		M		GOZ		W	X	Z	X	PC	
MF																							
SA																							
KL																							
HP																							
M																							
GOZ																							
W	X																						
Z	X																						
PC																							
	ACDV175 Threshold End Cap For use with DV14/DV14N	10	pack	DV14N DV175	<table border="1"> <tr><td>MF</td><td></td></tr> <tr><td>SA</td><td></td></tr> <tr><td>KL</td><td></td></tr> <tr><td>HP</td><td></td></tr> <tr><td>M</td><td></td></tr> <tr><td>GOZ</td><td></td></tr> <tr><td>W</td><td></td></tr> <tr><td>Z</td><td>X</td></tr> <tr><td>PC</td><td></td></tr> </table>	MF		SA		KL		HP		M		GOZ		W		Z	X	PC	
MF																							
SA																							
KL																							
HP																							
M																							
GOZ																							
W																							
Z	X																						
PC																							
	ACDV176 Threshold End Cap For use with DV11	10	pack	DV11 DV175	<table border="1"> <tr><td>MF</td><td></td></tr> <tr><td>SA</td><td></td></tr> <tr><td>KL</td><td></td></tr> <tr><td>HP</td><td></td></tr> <tr><td>M</td><td></td></tr> <tr><td>GOZ</td><td></td></tr> <tr><td>W</td><td></td></tr> <tr><td>Z</td><td>X</td></tr> <tr><td>PC</td><td></td></tr> </table>	MF		SA		KL		HP		M		GOZ		W		Z	X	PC	
MF																							
SA																							
KL																							
HP																							
M																							
GOZ																							
W																							
Z	X																						
PC																							

Do Not Scale From This Drawing

Bulletin

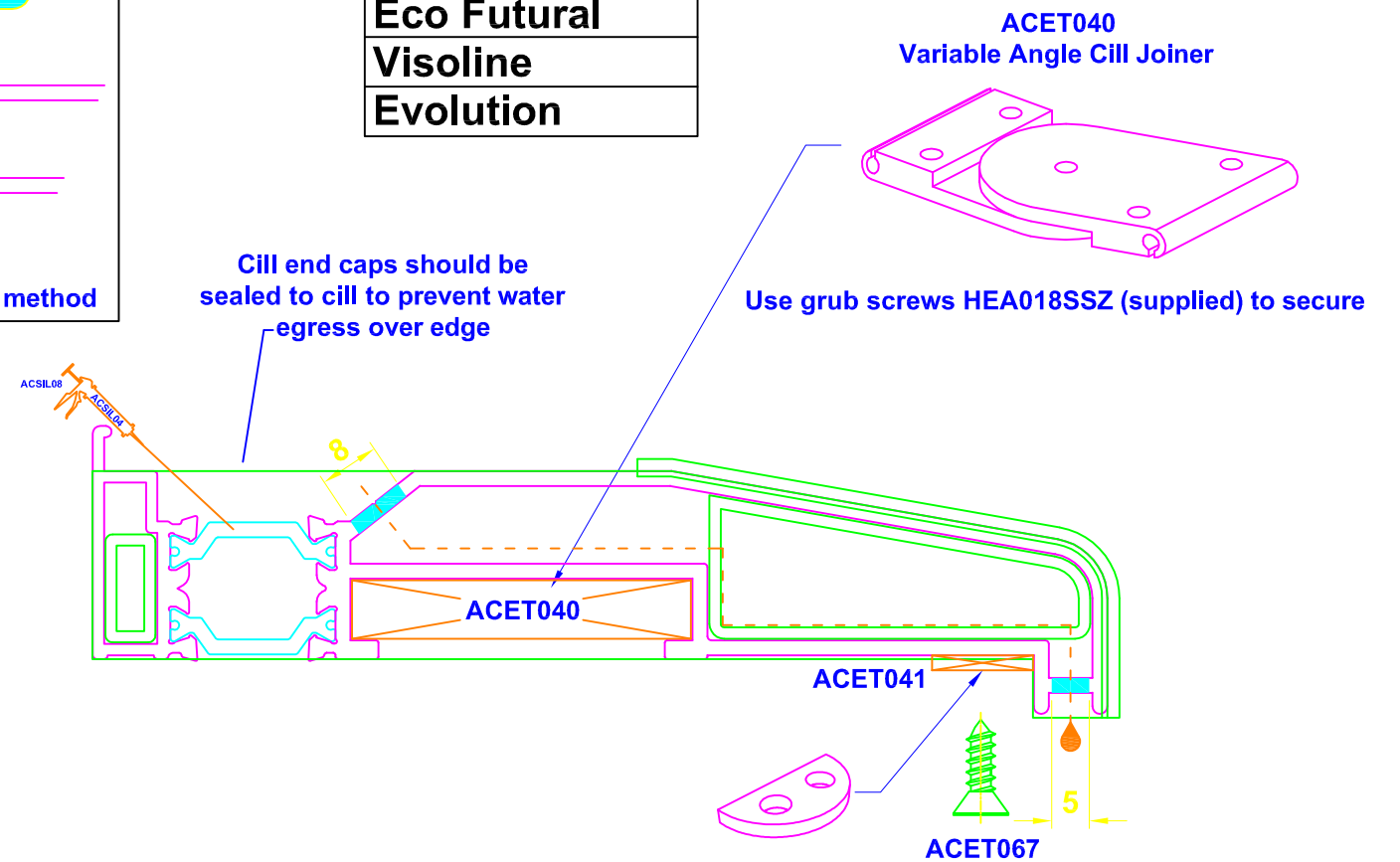
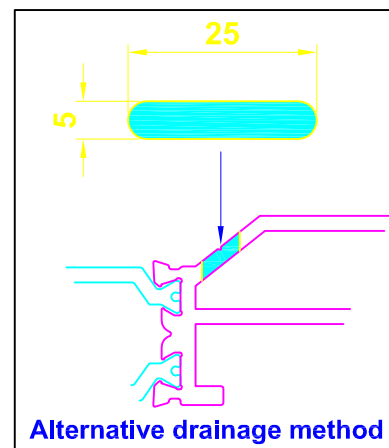
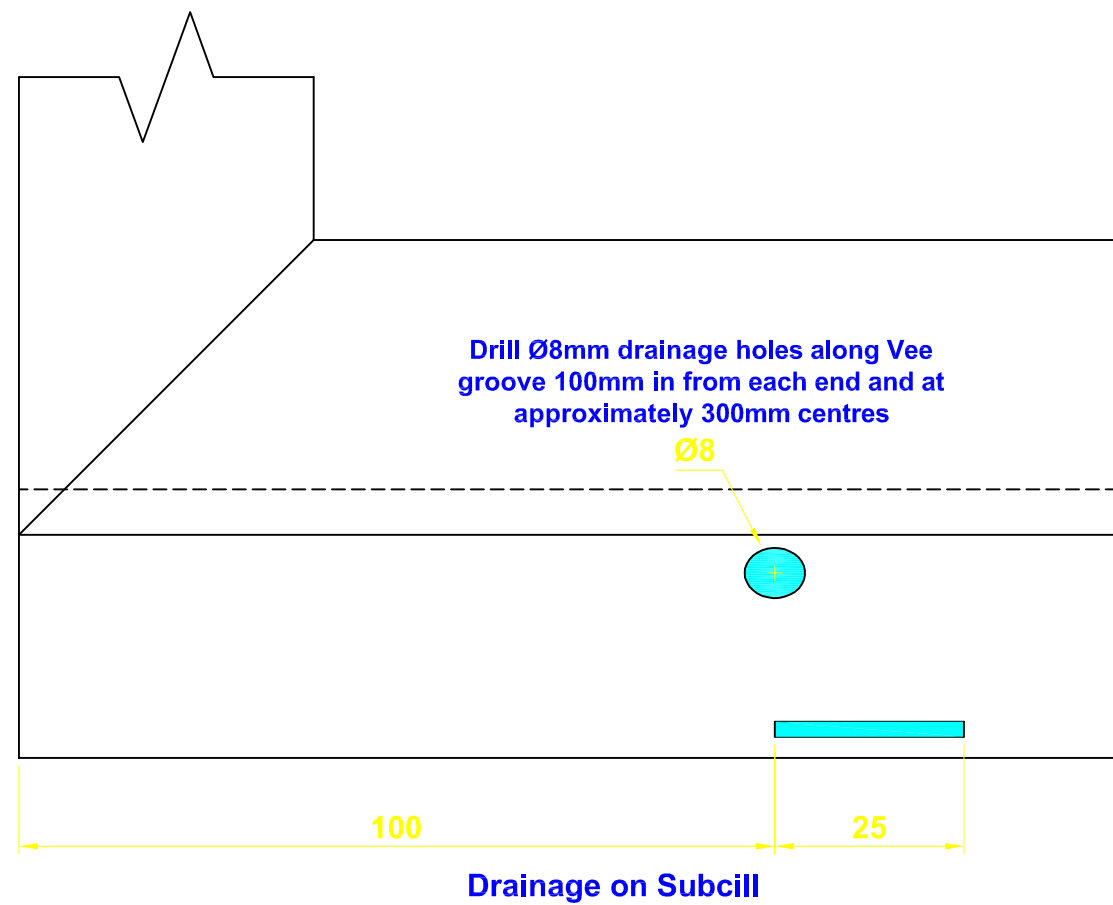
ETC152 - New 135mm Cill



Number	Perim. mm	Mec. mm	Ix(cm4) wx(cm3)	Iy(cm4) wy(cm3)	Length	Pack pr.	MF	SA	KL	HP	M
ETC152	672	214	- ---	- ---	6.5	1	X	X	X	X	X

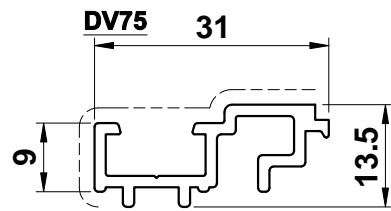
Suitable for use on window and door profiles up to 74.5mm wide. Anything deeper will need to have the legs packed out.

Suitable For
Alitherm Series
Visofold Series
Eco Futural
Visoline
Evolution



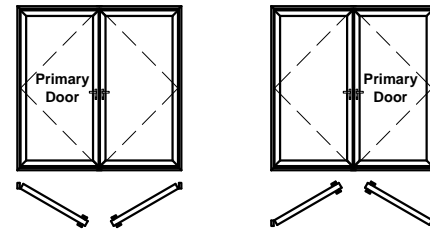
Do Not Scale From This Drawing

New section DV75 with new lock, shoot bolts and keeps allow primary & secondary doors to be operated by ACDV251 handles, thus providing symmetry.

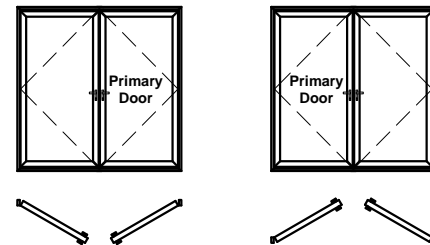


Number	Perim. mm	Mec. mm	Ix(cm4) wx(cm3)	Iy(cm4) wy(cm3)	Length	Pack pr.	MF	SA	KL	HP	M
DV75	143	32	- ----	- ----	6.5	1	X	X	X	X	

ACDV722 & ACDV727
Viewed Externally

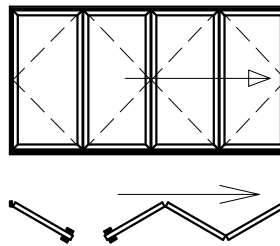


ACDV723 & ACDV727
Viewed Externally

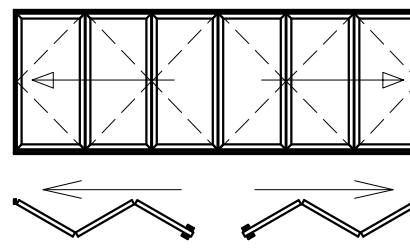


DV75 is also suitable for the below

Type 4e
Type 4i



Type 7e
Type 7i



Image

Part Code

Pack

Unit



ACDV727

Lock for secondary leaf
(non-handed)

1

each

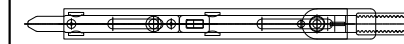


ACDV733

Top & Bottom Keep

1

each

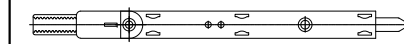


ACDV737

Bottom Shoot Bolt

1

each



ACDV738

Top Shoot Bolt

1

each

Image Unavailable

ACDV742

200mm Shoot Bolt Extension

1

each

Image Unavailable

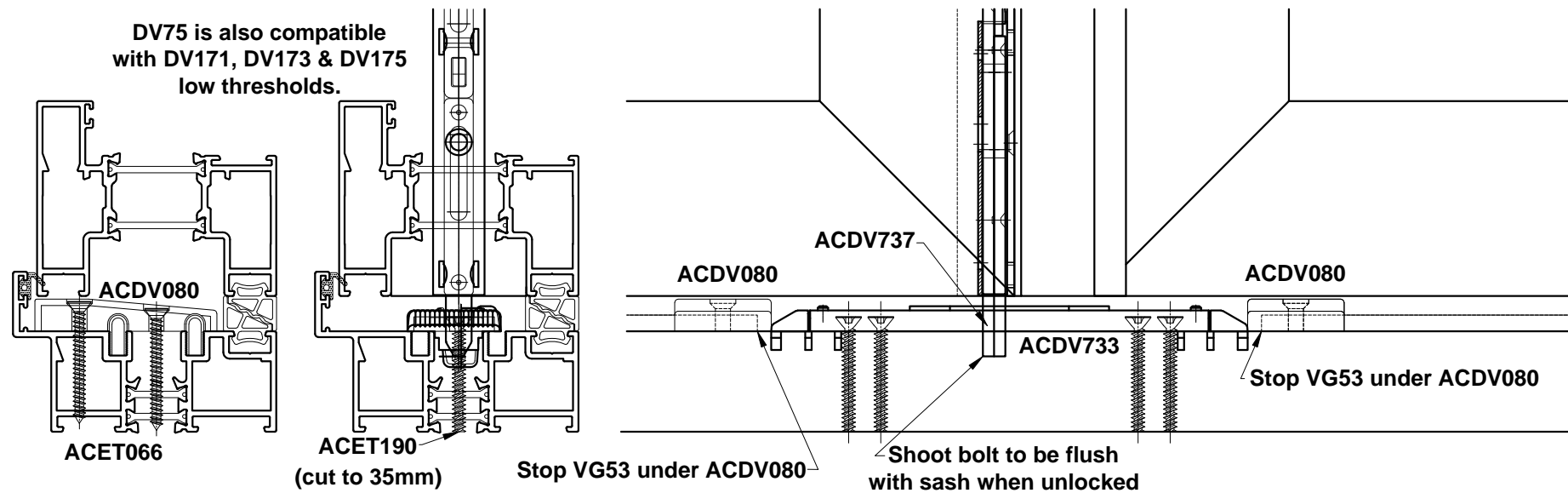
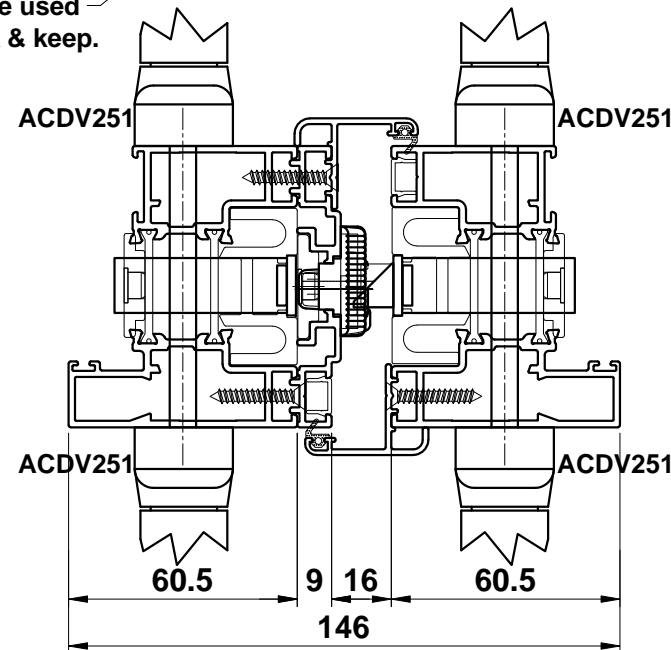
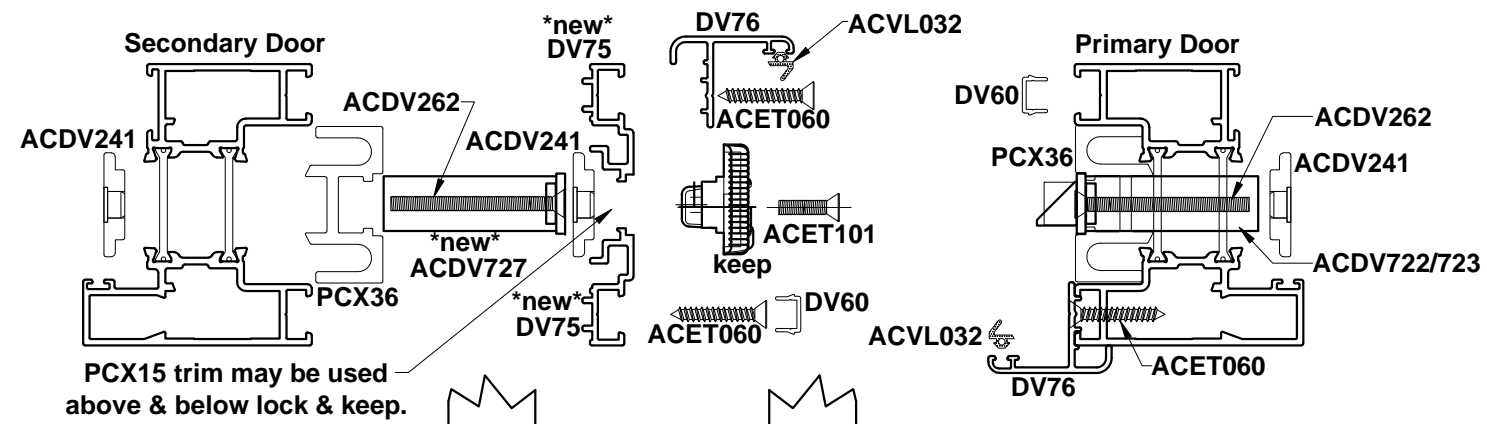
ACDV744

400mm Shoot Bolt Extension

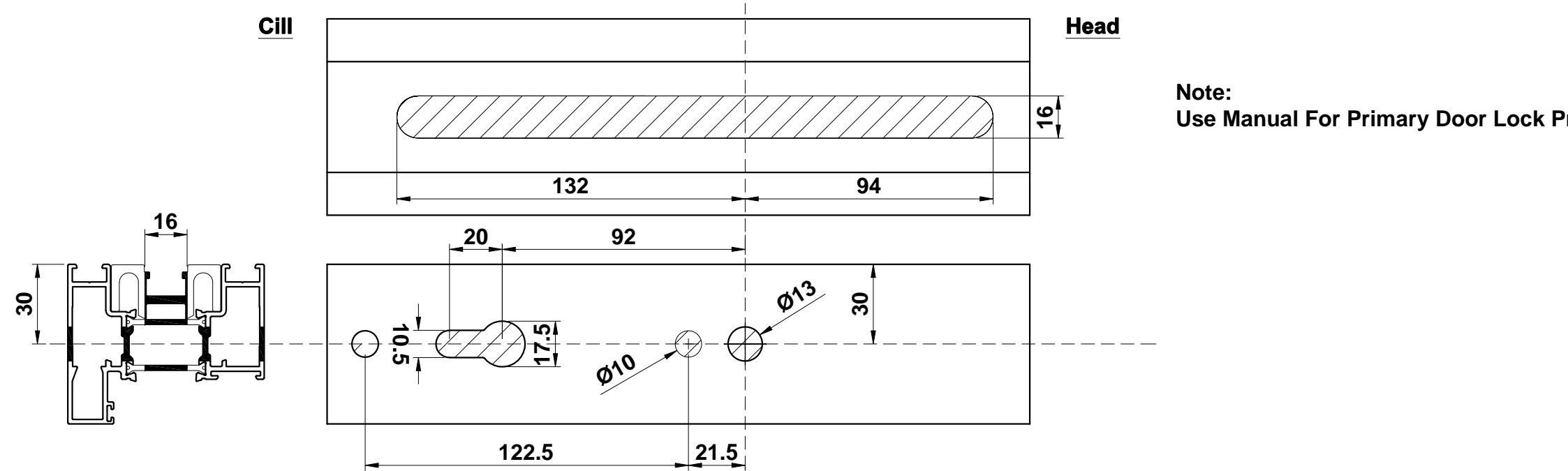
1

each

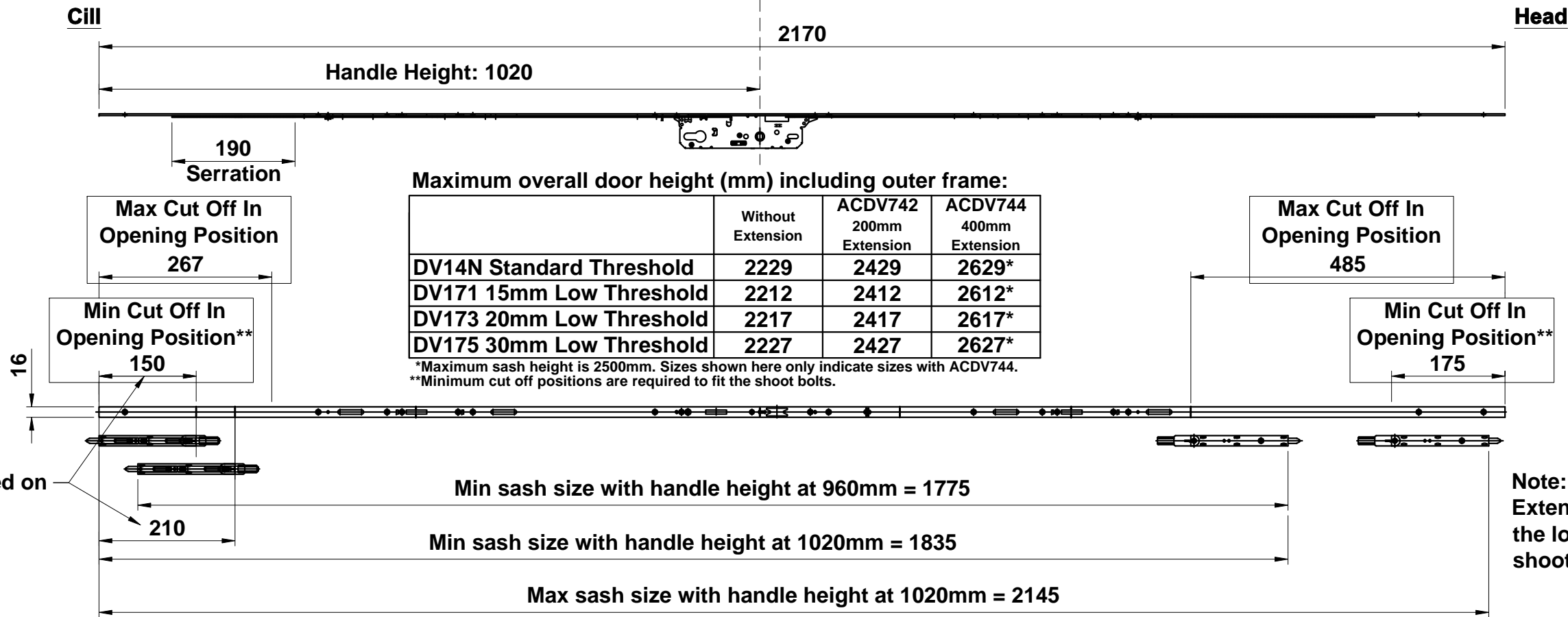
Do Not Scale From This Drawing



Do Not Scale From This Drawing

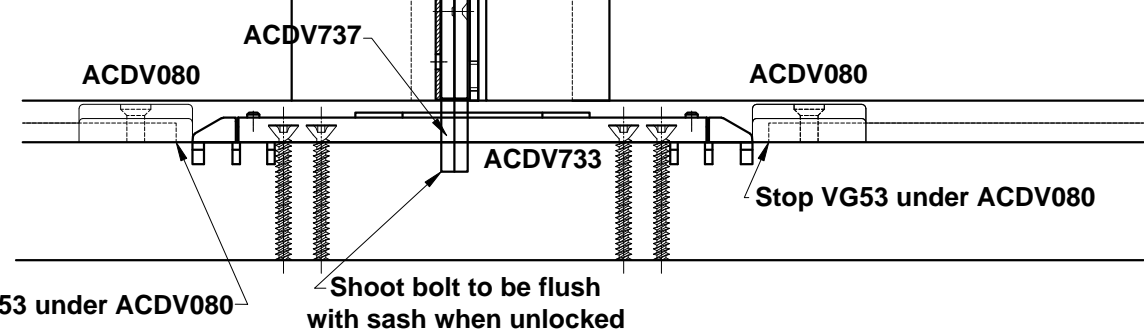
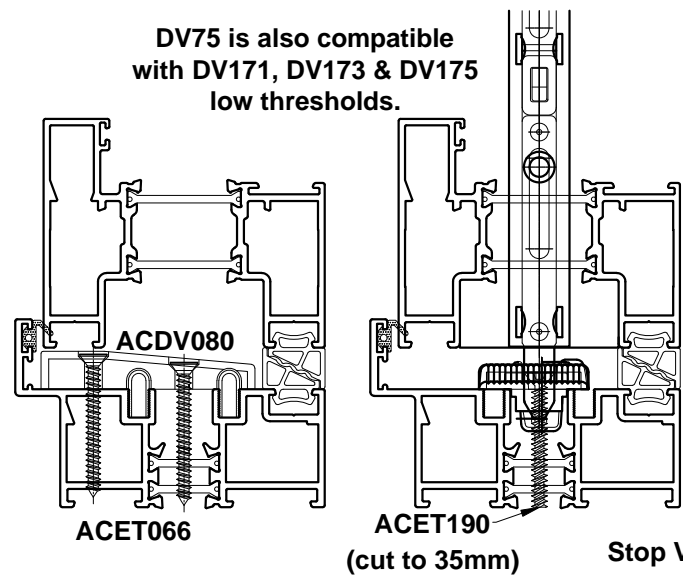
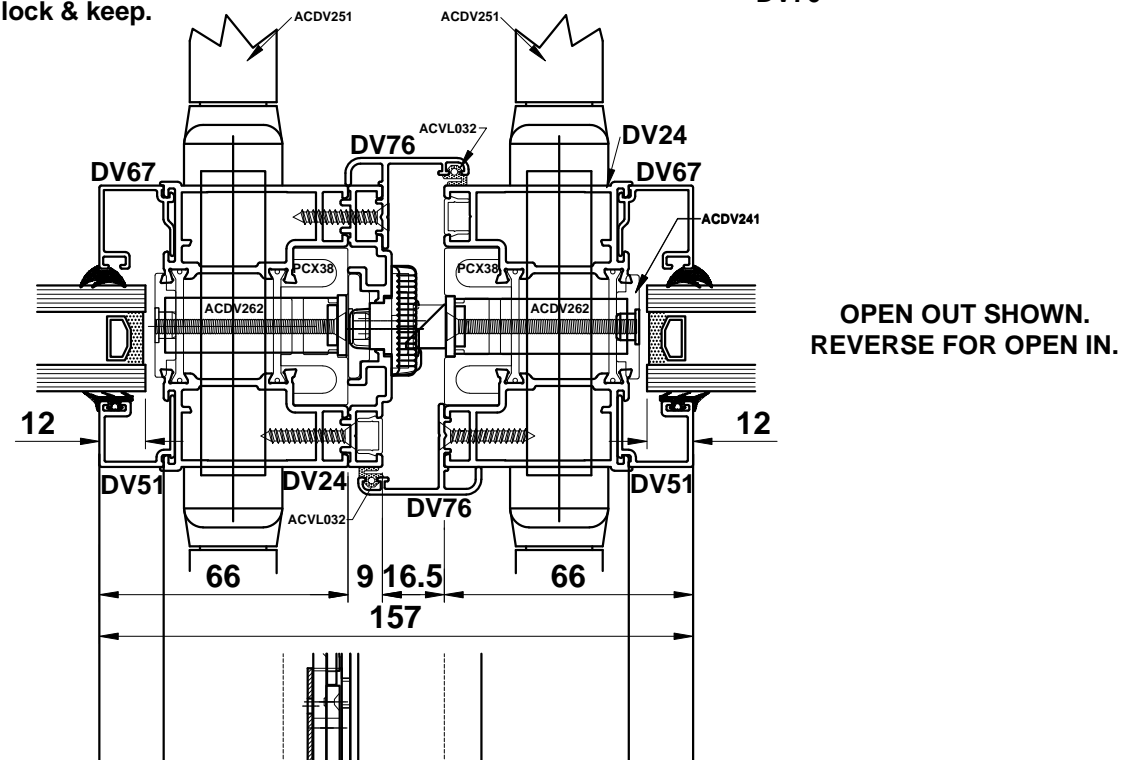
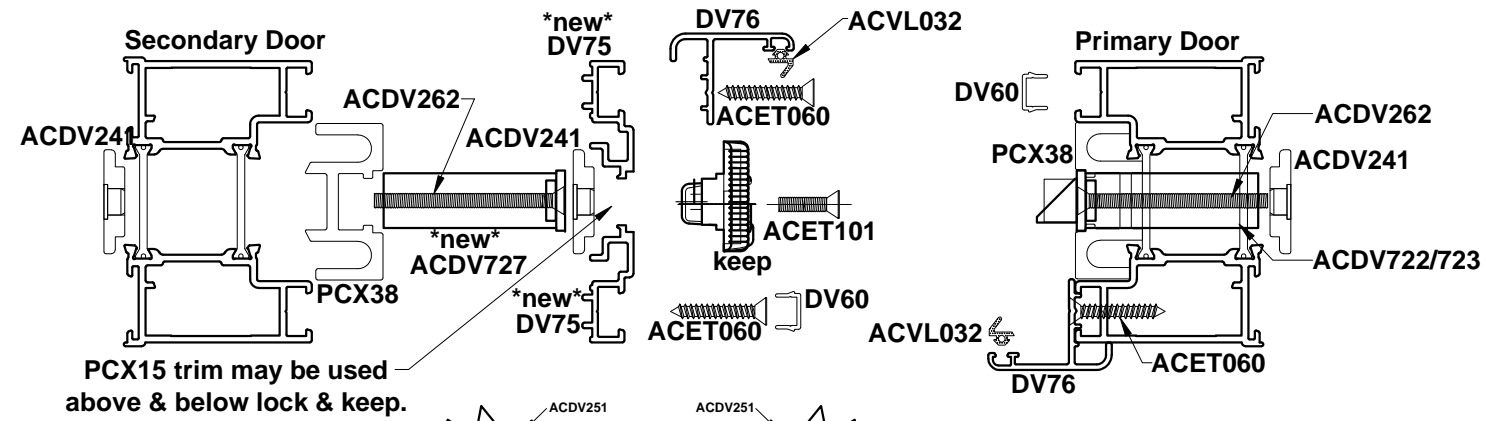


Note:
Use Manual For Primary Door Lock Preparation Details

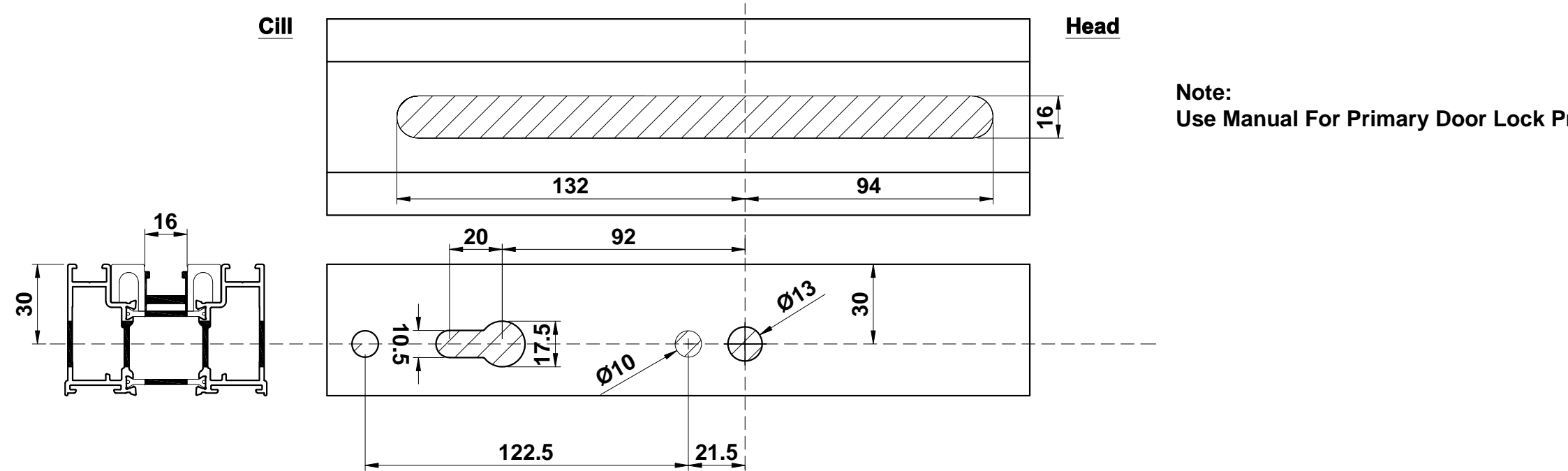


Note:
Extensions are fitted between the lock and ACDV738 shoot bolt.

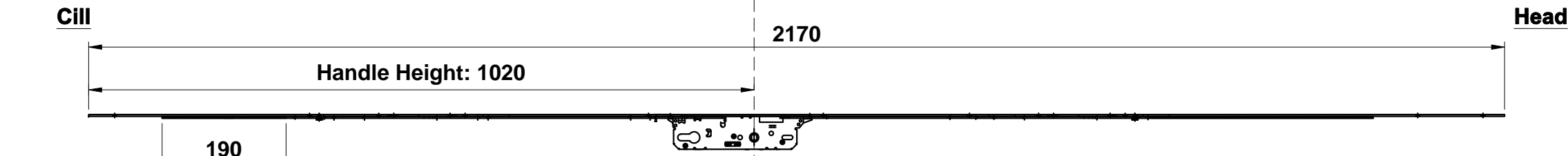
Do Not Scale From This Drawing



Do Not Scale From This Drawing



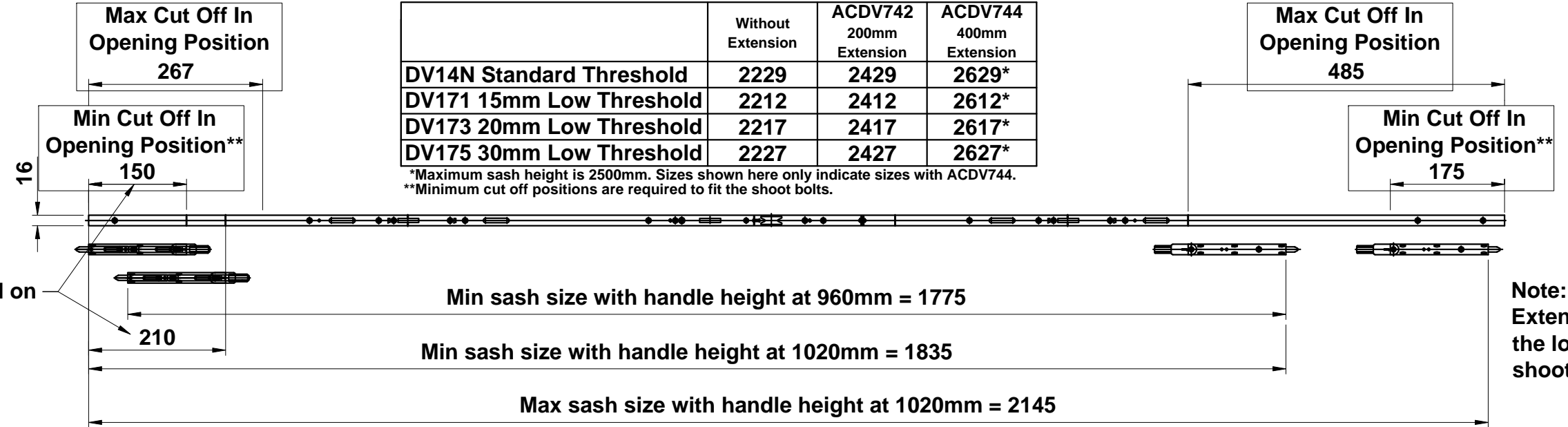
Note:
Use Manual For Primary Door Lock Preparation Details



Maximum overall door height (mm) including outer frame:

	Without Extension	ACDV742 200mm Extension	ACDV744 400mm Extension
DV14N Standard Threshold	2229	2429	2629*
DV171 15mm Low Threshold	2212	2412	2612*
DV173 20mm Low Threshold	2217	2417	2617*
DV175 30mm Low Threshold	2227	2427	2627*

*Maximum sash height is 2500mm. Sizes shown here only indicate sizes with ACDV744.
**Minimum cut off positions are required to fit the shoot bolts.



Note:
Extensions are fitted between
the lock and ACDV738
shoot bolt.

Do Not Scale From This Drawing

Number	Perim. mm	Mec. mm	Ix(cm4) wx(cm3)	Iy(cm4) wy(cm3)	Length	Pack pr.	MF	SA	KL	HP	M
New DV555	544	150	46.95 ----- 12.23	56.06 ----- 14.46	6.5	1	✓	✓	✓	✓	✓

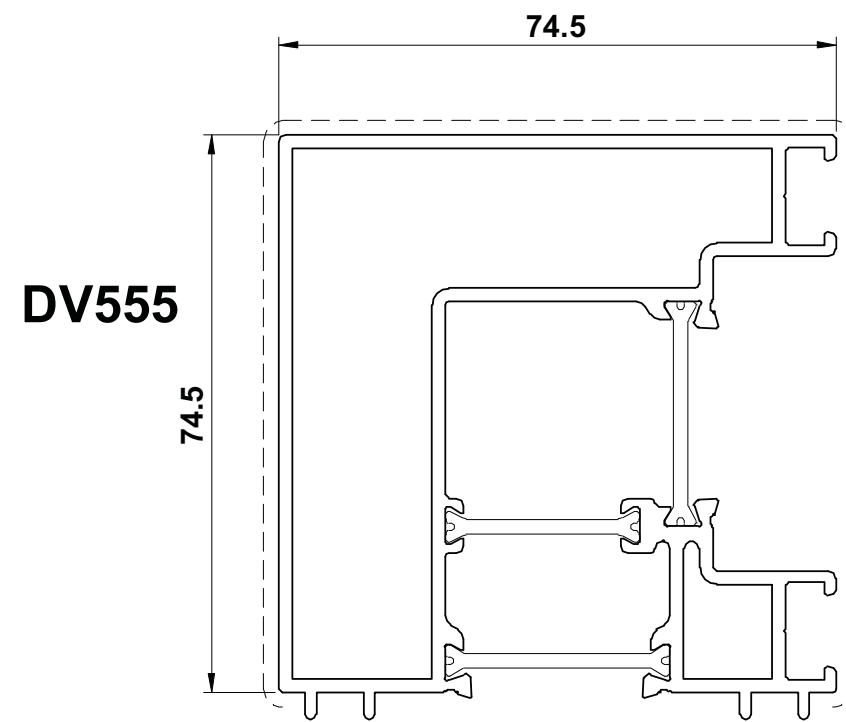
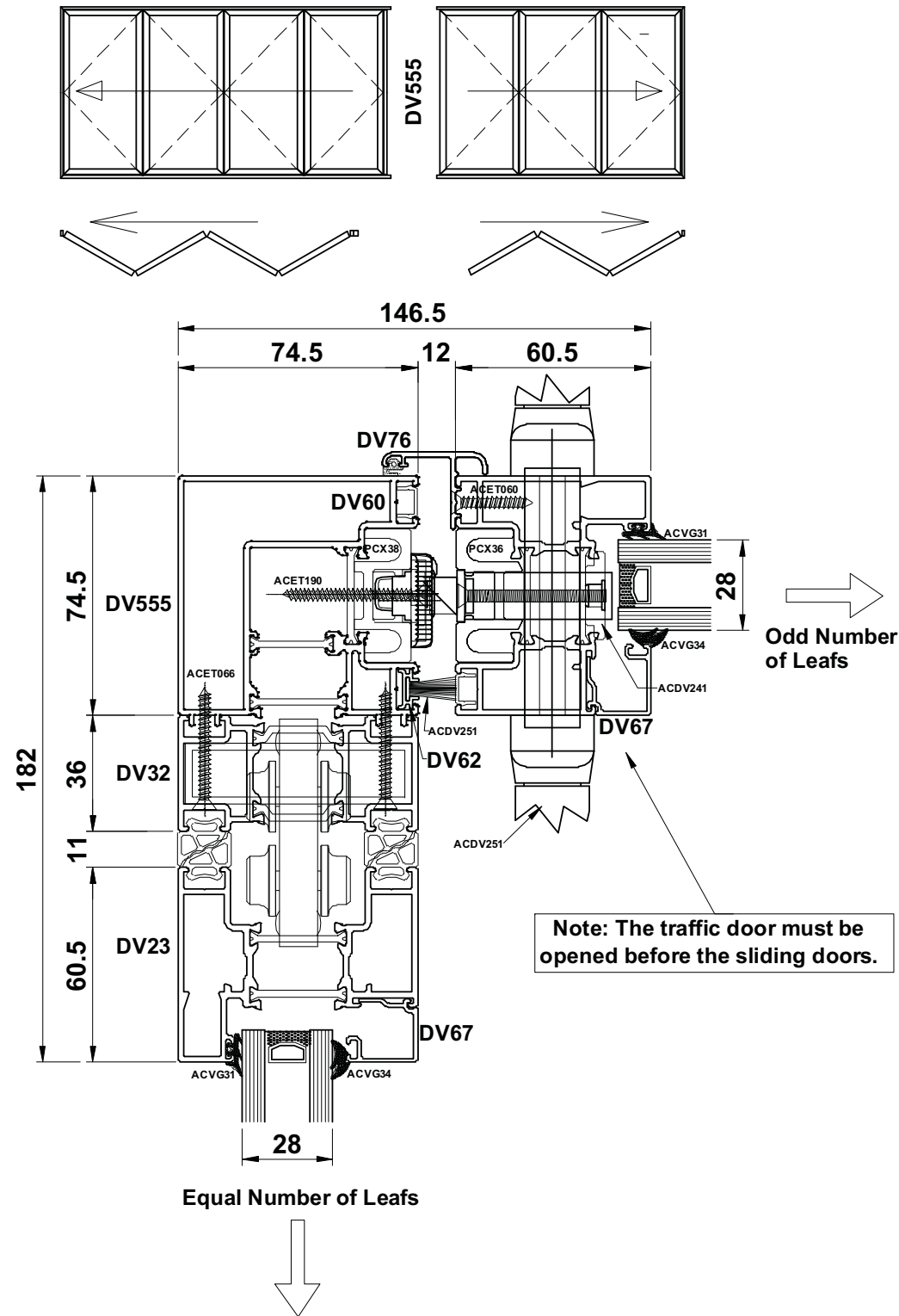


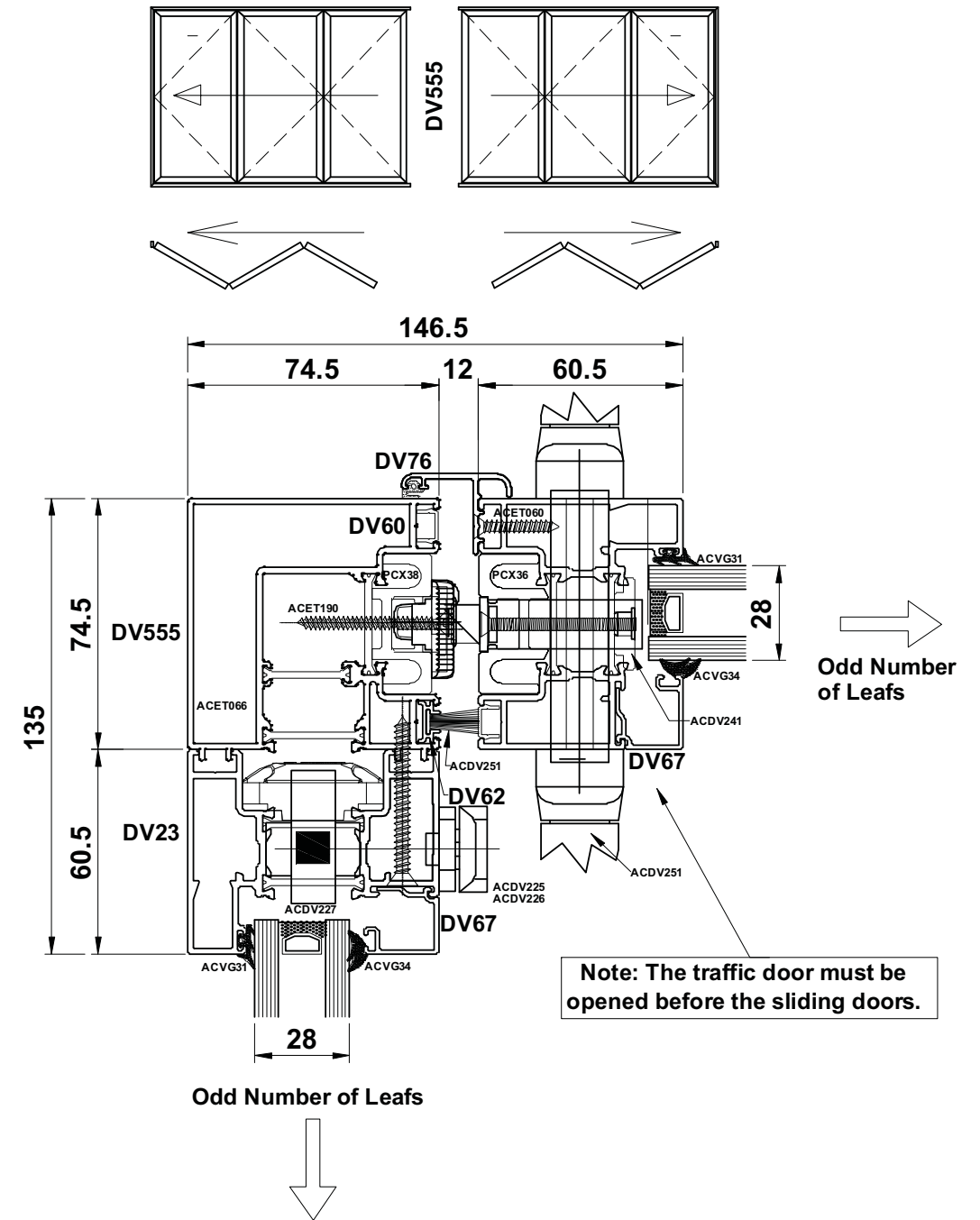
	Image	Part Code	Pack	Unit
New		ACDV555 End Cap for DV555 (Top & Bottom) Black or White	10	pairs
New		ACDV552 Outer Frame Fixing Bracket	4	pack
New		ACDV950 Marking Jig	1	each

Do Not Scale From This Drawing

Example

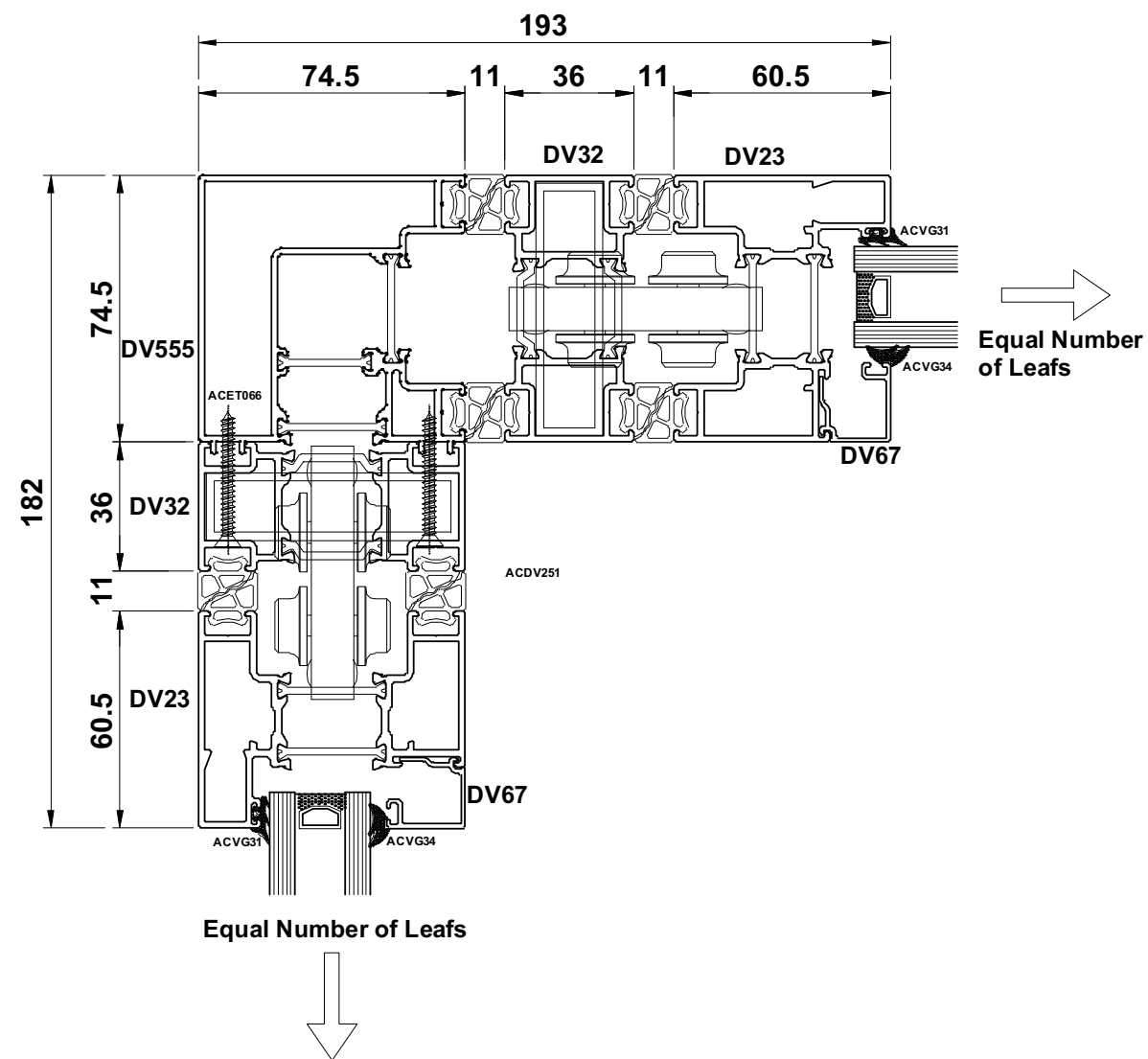
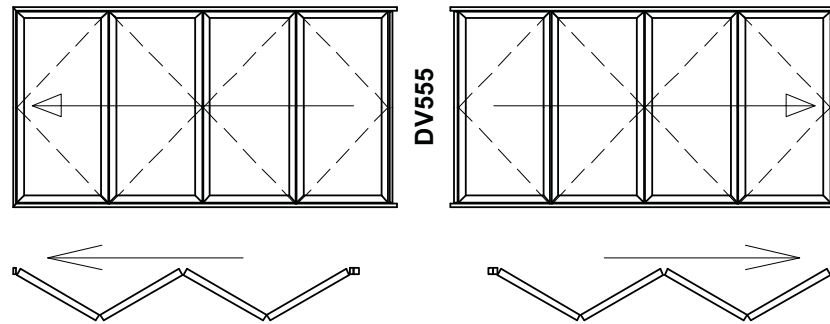


Example

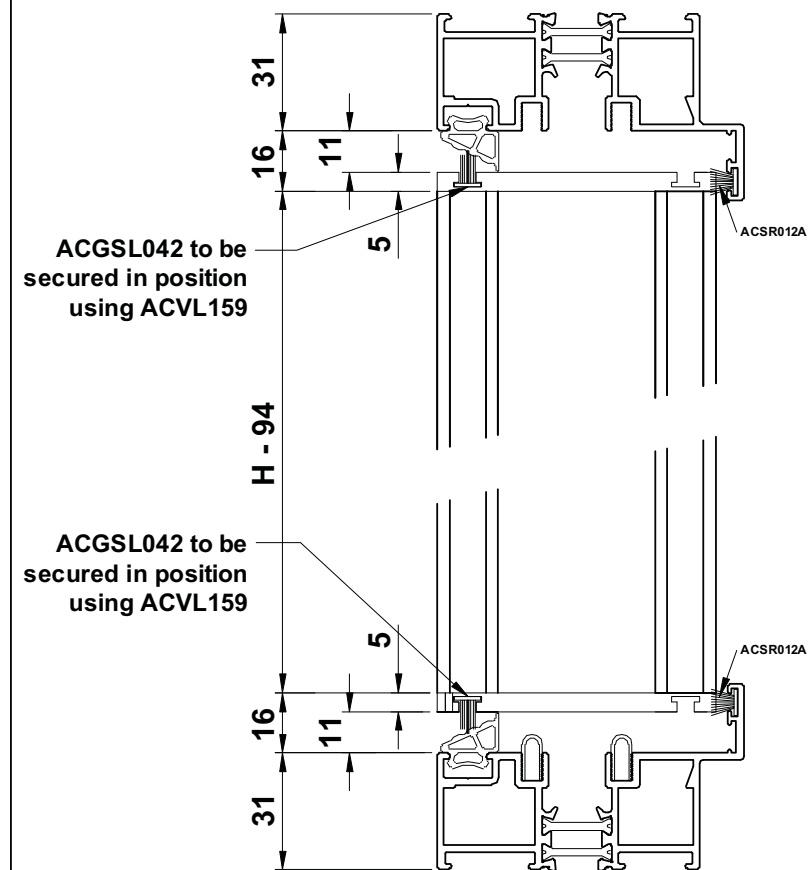


Do Not Scale From This Drawing

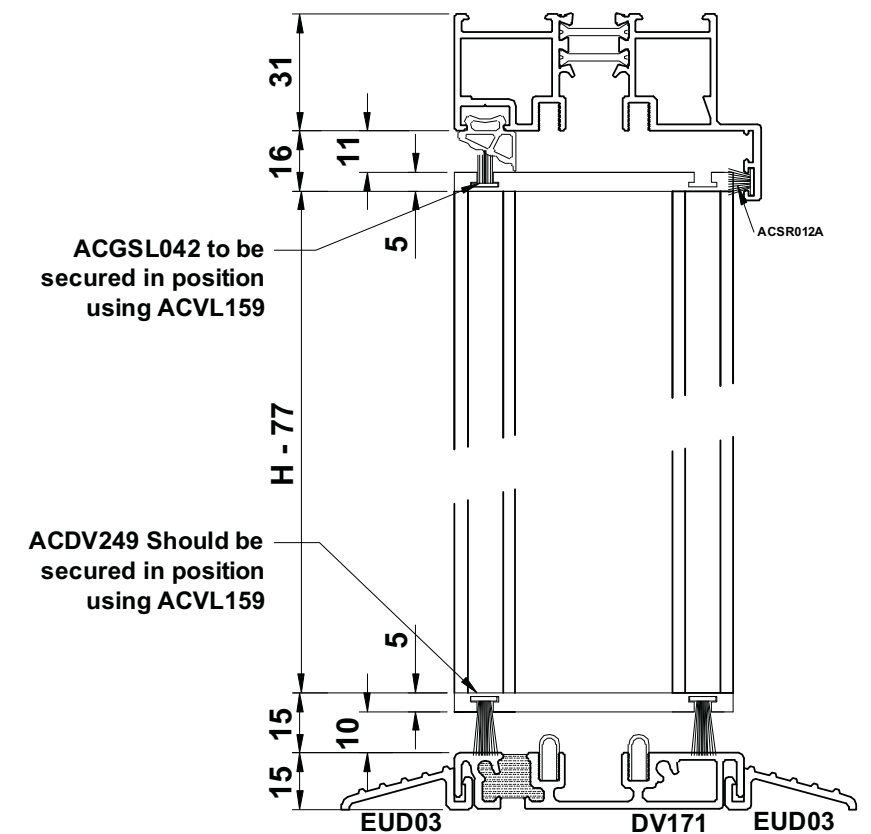
Example



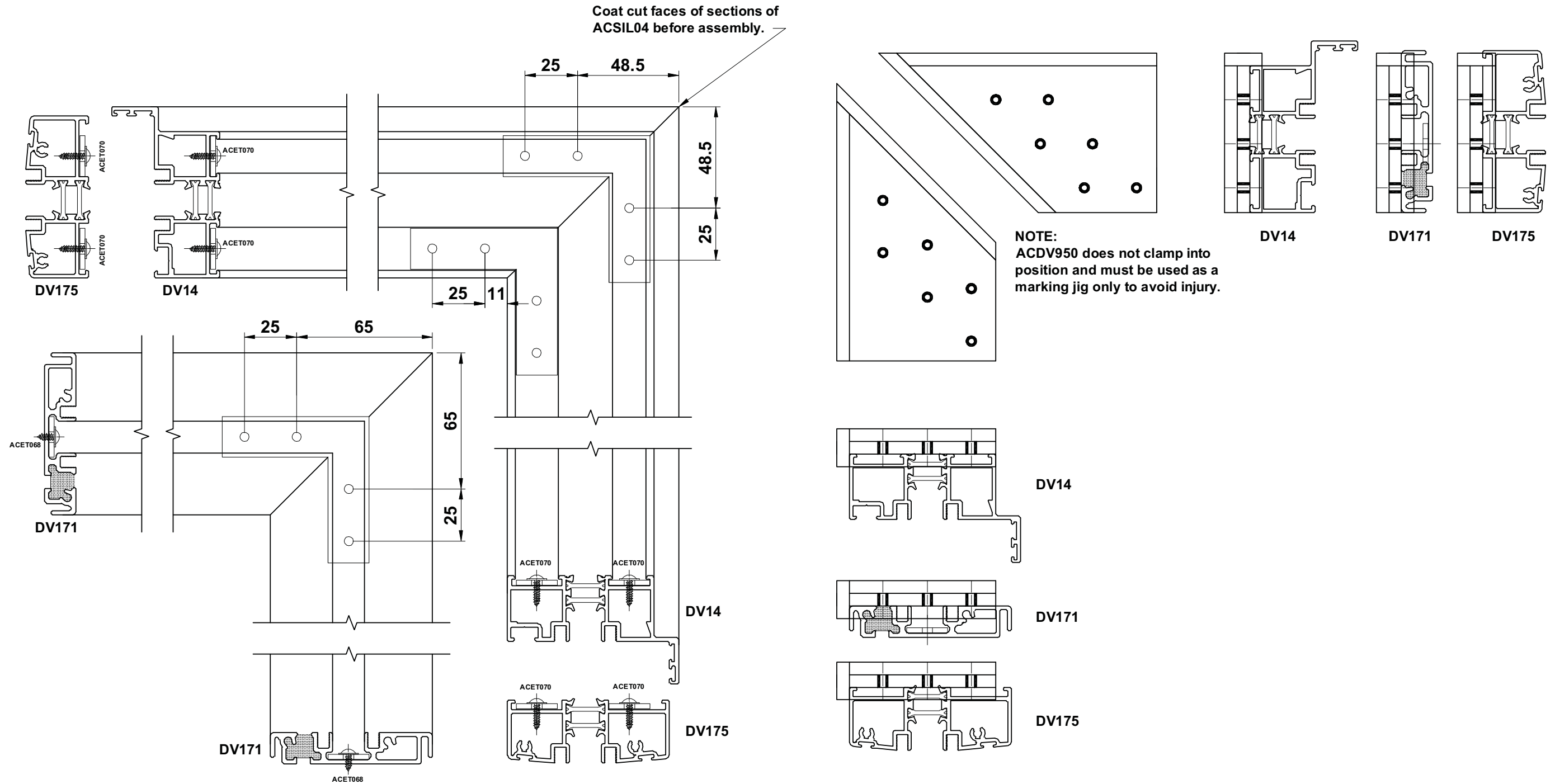
DV555 Height Deductions



NOTE:
Where DV32 is used, ACSR012A should replace ACDV244



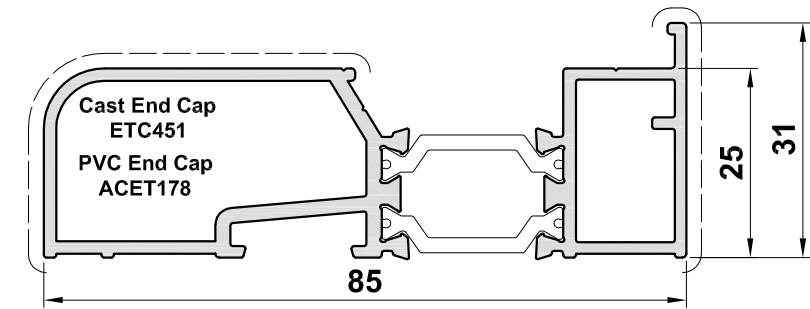
Do Not Scale From This Drawing



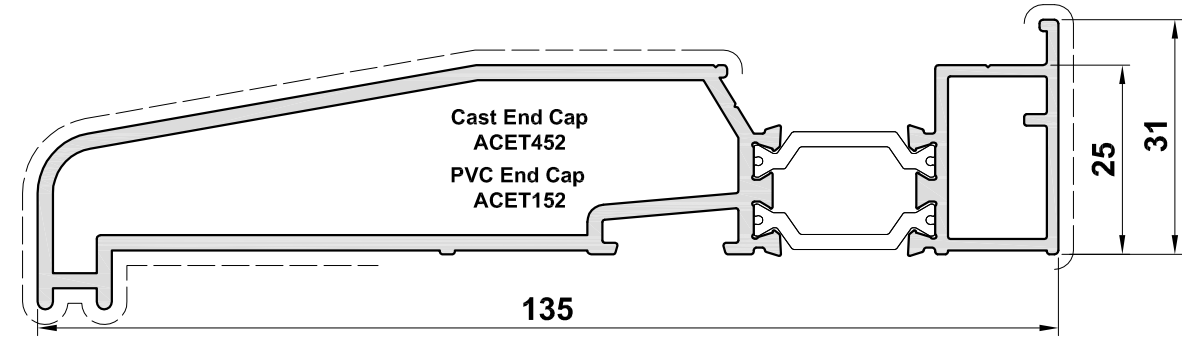
Do Not Scale From This Drawing

New sub cills designed to allow an improved direct fixing & lug fixing detail. ETC451, 452, 457, 458 & 479 offer the option of black or white PVC end caps, or cast end caps which may be powder coated to match. ETC478 is a new 300mm sub cill for wider profiles with cast end caps.

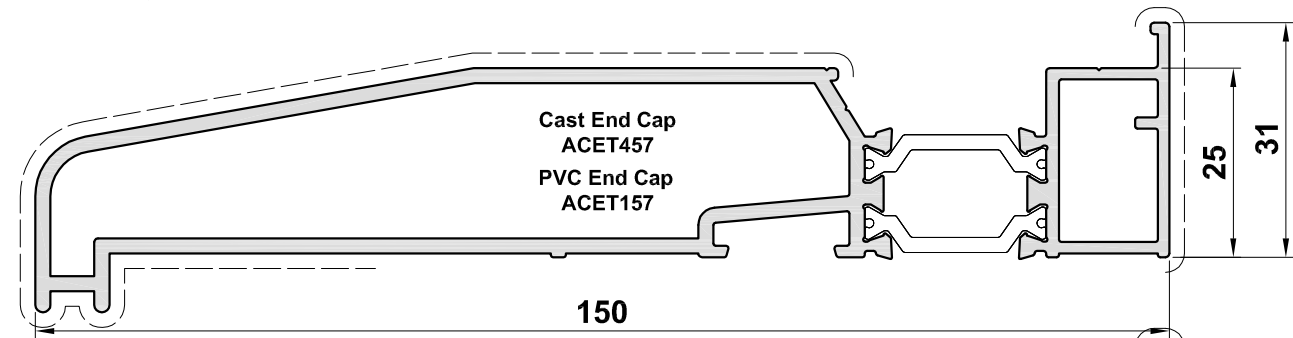
	Number	Perim. mm	Mec. mm	Ix(cm4) wx(cm3)	Iy(cm4) wy(cm3)	Length	Pack pr.	MF	SA	KL	HP	M
New	ETC451	304	109	32.44 ----- 7.29	3.46 ----- 2.79	6.5	1	✓	✓	✓	✓	✓
New	ETC452	414	197	122.46 ----- 18.03	6.01 ----- 3.34	6.5	1	✓	✓	✓	✓	✓
New	ETC457	444	212	163.27 ----- 21.60	6.79 ----- 3.73	6.5	1	✓	✓	✓	✓	✓
New	ETC458	524	252	313.62 ----- 32.63	8.87 ----- 4.79	6.5	1	✓	✓	✓	✓	✓
New	ETC479	594	287	501.64 ----- 44.04	9.72 ----- 5.34	6.5	1	✓	✓	✓	✓	✓
Available Soon	ETC478	736	314	1410.74 ----- 87.73	16.30 ----- 8.62	5	1	✓	✓	✓	✓	✓



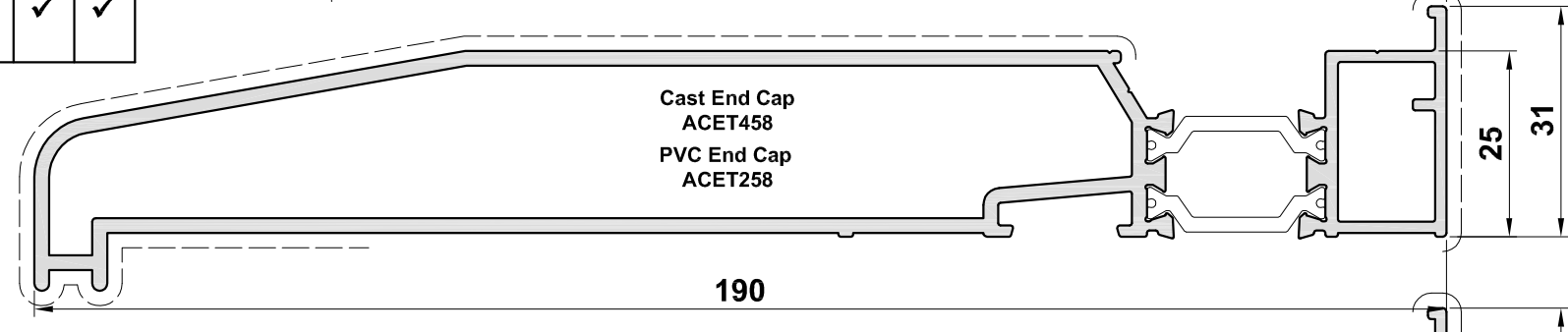
ETC451
85mm Cill



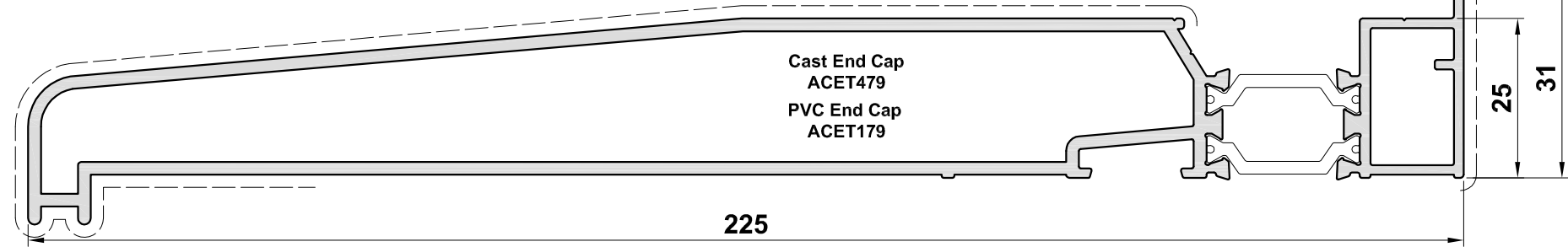
ETC452
135mm Cill



ETC457
150mm Cill



ETC458
190mm Cill



ETC479
225mm Cill

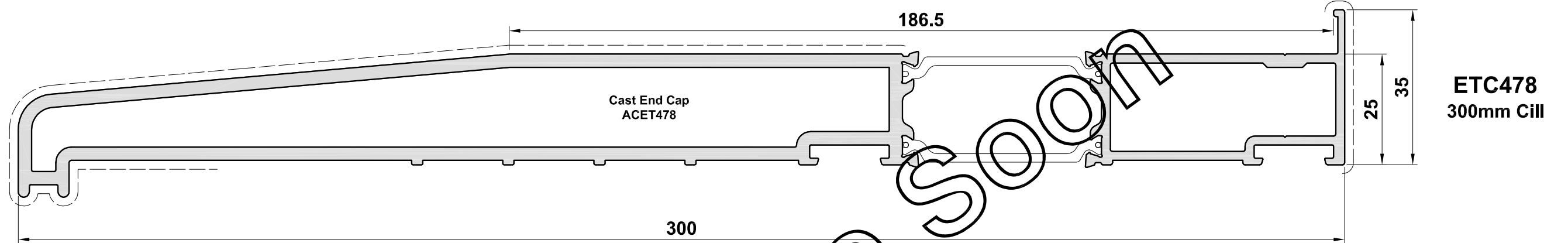
PVC End Caps

Cast End Caps

	ACET152 PVC Cill End Cap	10	pairs	ETC452	MF	
					KL	
					HP	
					W	✓
					Z	✓
	ACET157 PVC Cill End Cap	10	pairs	ETC457	MF	
					KL	
					HP	
					W	✓
					Z	✓
	ACET178 PVC Cill End Cap	10	pairs	ETC451	MF	
					KL	
					HP	
					W	✓
					Z	✓
	ACET179 PVC Cill End Cap	10	pairs	ETC479	MF	
					KL	
					HP	
					W	✓
					Z	✓
	ACET258 PVC Cill End Cap	10	pairs	ETC458	MF	
					KL	
					HP	
					W	✓
					Z	✓

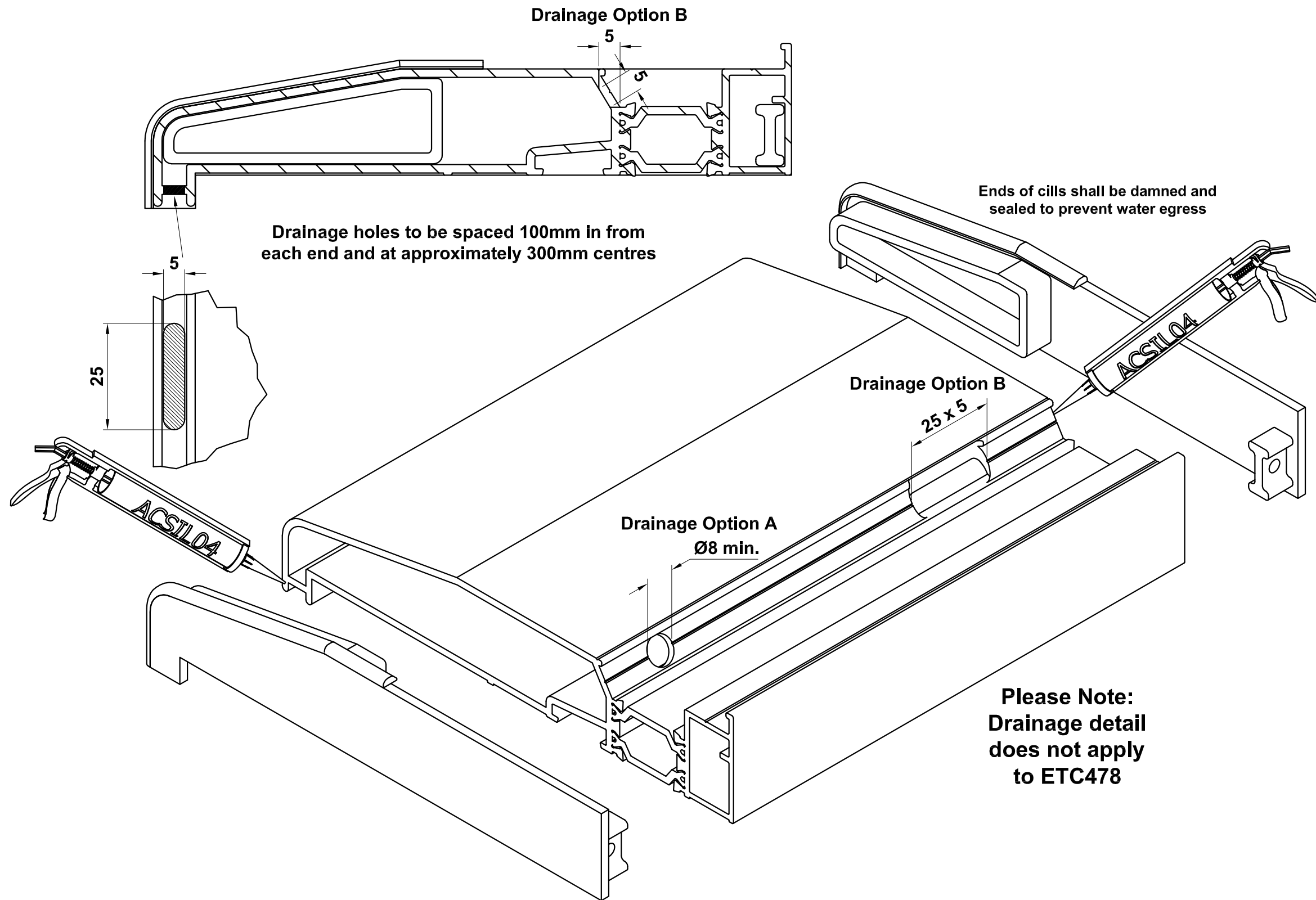
	ACET451 Cast Cill End Caps	1	pair	ETC451	MF	✓
					KL	✓
					HP	✓
					W	✓
					Z	✓
	ACET452 Cast Cill End Caps	1	pair	ETC452	MF	✓
					KL	✓
					HP	✓
					W	✓
					Z	✓
	ACET457 Cast Cill End Caps	1	pair	ETC457	MF	✓
					KL	✓
					HP	✓
					W	✓
					Z	✓
	ACET458 Cast Cill End Caps	1	pair	ETC458	MF	✓
					KL	✓
					HP	✓
					W	✓
					Z	✓
	ACET479 Cast Cill End Caps	1	pair	ETC479	MF	✓
					KL	✓
					HP	✓
					W	✓
					Z	✓

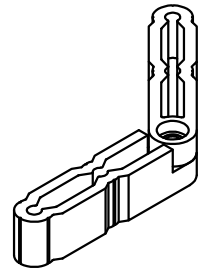
Note: ETC478 is not designed for concealed drainage

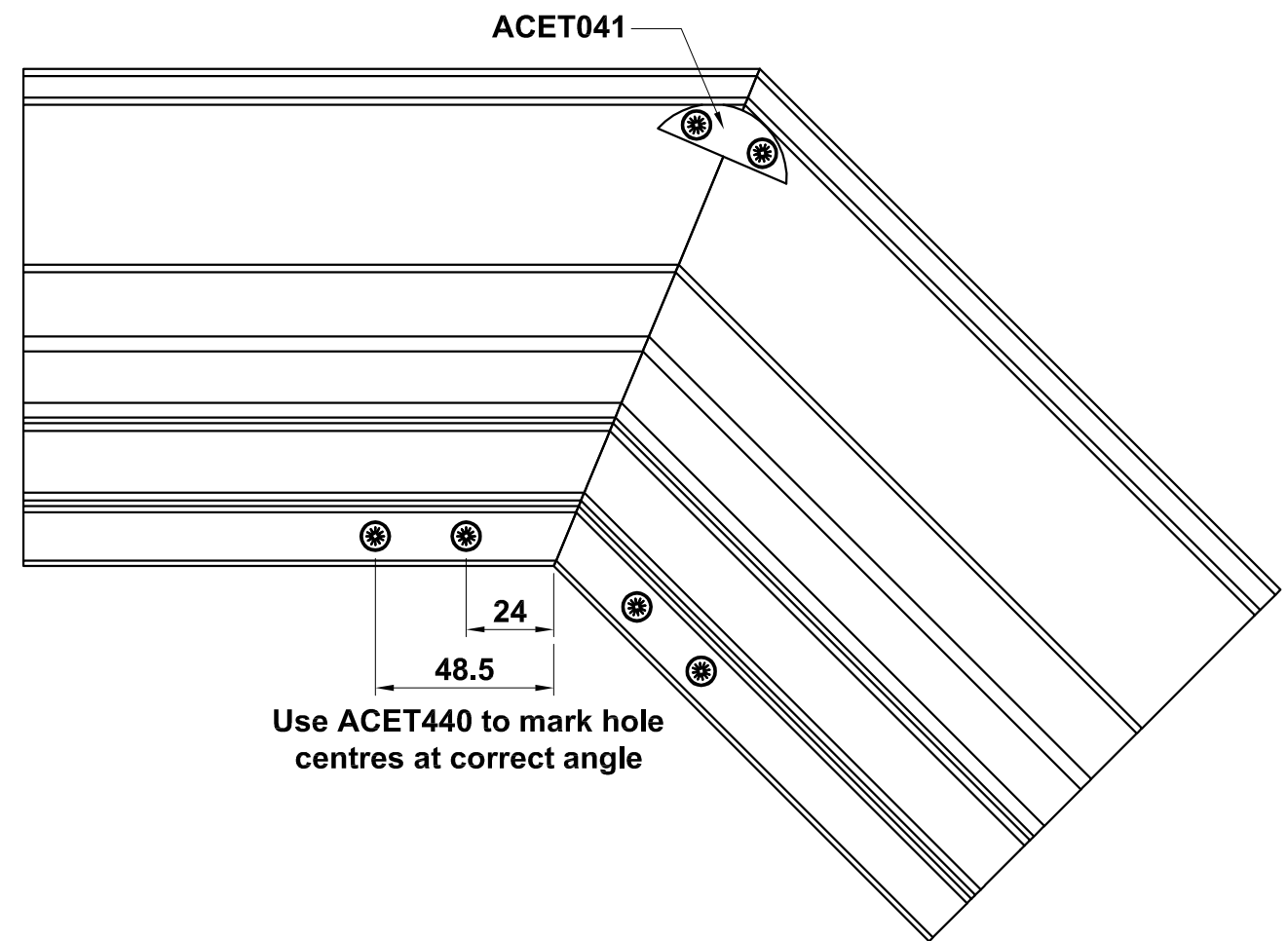
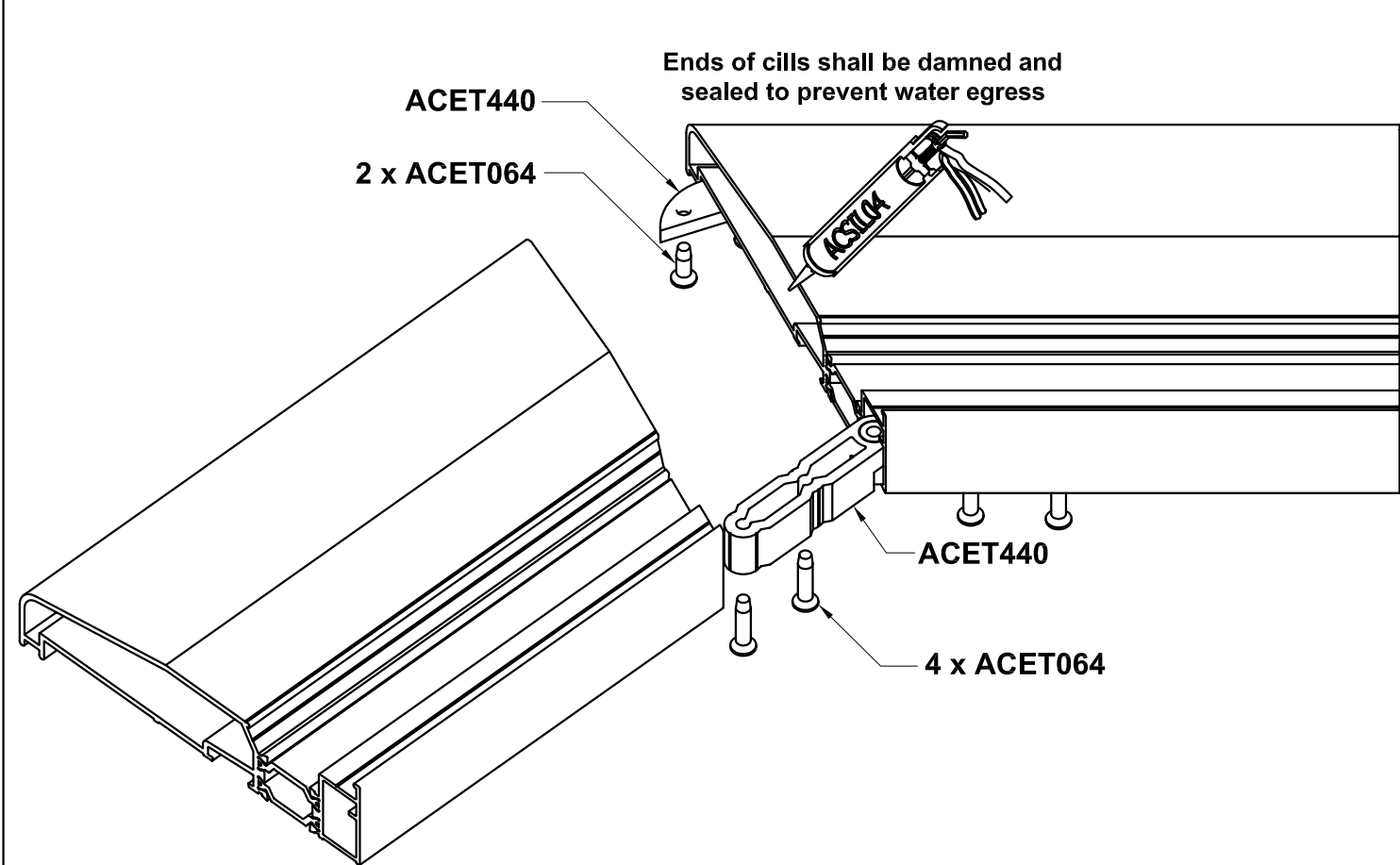


	ACET478	1	pair	ETC478	MF	✓
	Cast Cill End Cap				KL	✓
					HP	✓
					W	✓
					Z	✓

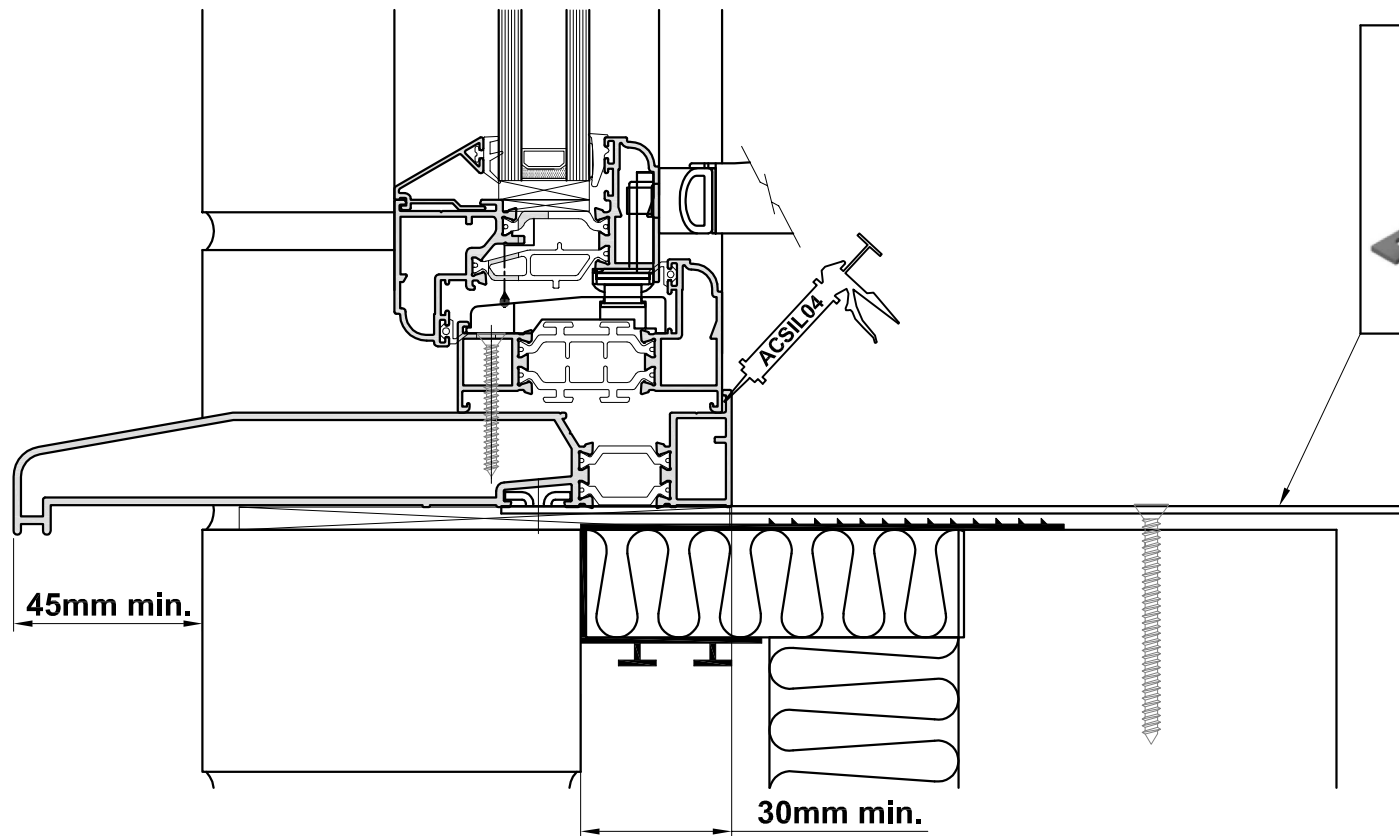
Available Soon




	ACET440	10	pack	ETC451 ETC452 ETC457 ETC458 ETC479	MF	✓
	90°-180° Variable angle bracket				KL	
					HP	
					W	
					Z	



Example Lug Fixing Detail



	ACUN23X	100	Pack	ETC451	MF	✓
	Screw Fixing Lug			ETC452	KL	
	ACUN230: B = 160MM			ETC457	HP	
	ACUN232: B = 240MM			ETC458	W	
	ACUN233: B = 280MM			ETC478	Z	
				ETC479		

Example Direct Fixing Detail

